

Assembly Instructions

This instruction booklet contains important safety information, please read and keep for future reference.

ITEM#HITV4-Z

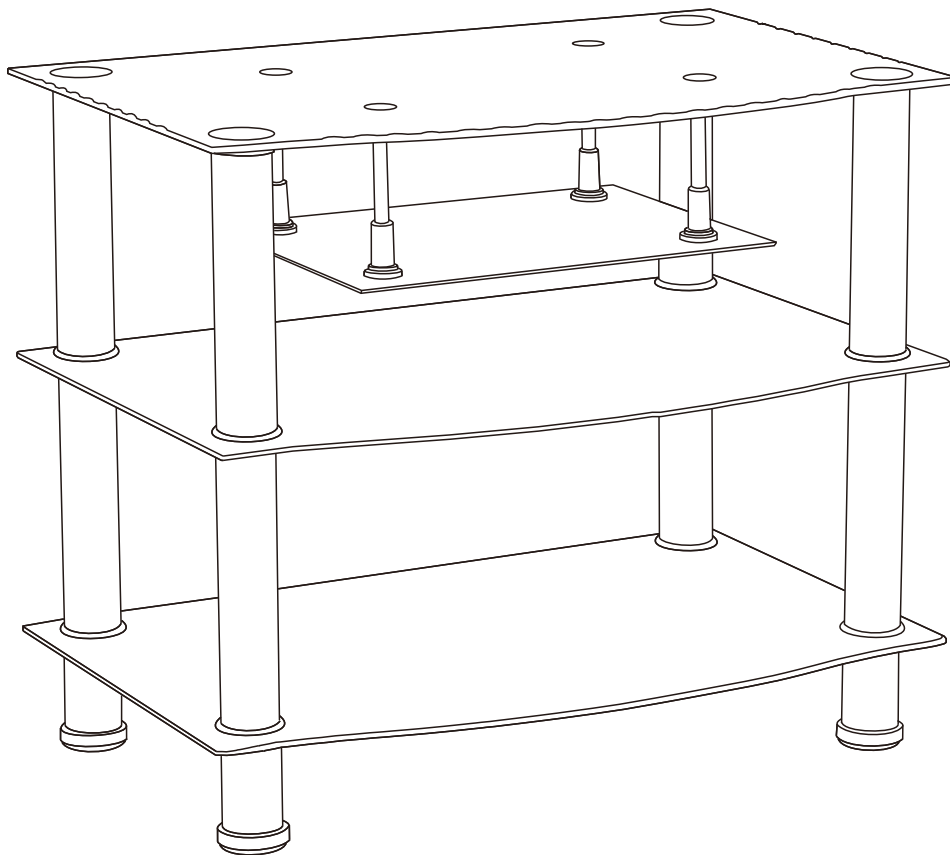
TV STAND

 1 person

 30 mins

 1 YR LTD

 1 Box



FRONT VIEW

Product Dimensions: H23.6"W27.5"D18.9"



Phone

Mon – Fri | 9:30 am to 5pm EST

1 - 855 – HODEDAH

1 – 855 – 463 -3324



Email

Send us an email

Support@Hodedah.com



Website

Visit our website to open a case

www.Hodedah.com

Questions, need parts, we are here to help!

FOR PROMPT, RELIABLE SERVICE PLEASE HAVE YOUR INSTRUCTION MANUAL READY



DO NOT RETURN PRODUCT TO THE STORE

If parts are missing or damaged please contact our customer service team and we will gladly ship your replacement parts **FREE** of charge within **ONE YEAR** of purchase!

WARRANTY

Hodedah warrants this product to be free from defects in materials and workmanship and agrees to remedy any such defect. This warranty covers one year from the date of original purchase. This is solely limited to replacement of defective parts and no assembly for labor is included. This warranty does not apply to any product that has been improperly assembled, subjected to misuse, abuse or which has been altered or repaired in any way. To obtain warranty service, original purchaser must present the following; original bill of sale, date of purchase, where the product was purchased and images if applicable. Components replaced warranted through the remainder of the original warranty only. The defective part will be replaced without charge, subject to the terms and conditions described above.

WARNING

- This product contains small parts, keep away from children.
- This product contains plastic bags, keep away from children.
- Serious or fatal crushing injuries can occur from furniture tip-over. To help prevent this, place heaviest items on the lower shelves and drawers. Do not set heavy objects on top shelves and drawers.
- Never allow children to climb or hang on drawers, shelves and doors.

- Never open more than one drawer at a time.
- The use of tip-over restraints may reduce but not eliminate the risk of tip-over.

Let's get started...

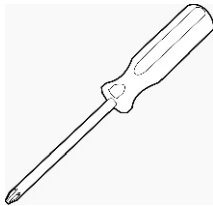
Helpful hints, read before beginning assembly

- Make sure you receive all boxes. If your item is packed in one box, box count will read 1 of 1, likewise if your item is packed in two boxes, box count will read 1 of 2 and second box will read 2 of 2.
- Read each step carefully. It is very important that each step is performed in the correct order. If these steps are not followed in sequence, assembly difficulties will occur.
- Work in a spacious level area, preferably carpet, near the place the unit will be used.
- **DO NO USE** power tools to assemble your furniture, it will strip and damage parts.
- Your package should include the following hardware and parts. Parts are labeled or stamped on the raw edge. Please inspect contents to ensure you have received all components. **If you are missing any hardware or parts please contact customer service right away before assembly.**

Assembly Tools Required (not supplied)



Hammer



Phillips Screwdriver



Tape Measure



No Power Tools Needed

Product Care and Maintenance

- Wipe clean with dry soft cloth, never use chemicals or cleaning products they will damage the finish.
- Avoid placing your furniture in direct sunlight, as sunlight causes fading.
- Never push, drag or pull your furniture, to move to a new location carefully with two or more people carry the unit to its new location.
- Avoid extreme changes in temperature by arranging furniture away from radiators, heat and air vents and air conditioning units.




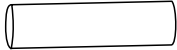







Hardware List

A Flat Nut  Ø8mm	QTY <div style="border: 1px solid black; padding: 2px; display: inline-block;">8</div>	B Steel Washer  Ø8mm	QTY <div style="border: 1px solid black; padding: 2px; display: inline-block;">8</div>	C Wrench  Ø15*50mm	QTY <div style="border: 1px solid black; padding: 2px; display: inline-block;">1</div>
--	--	--	--	--	--

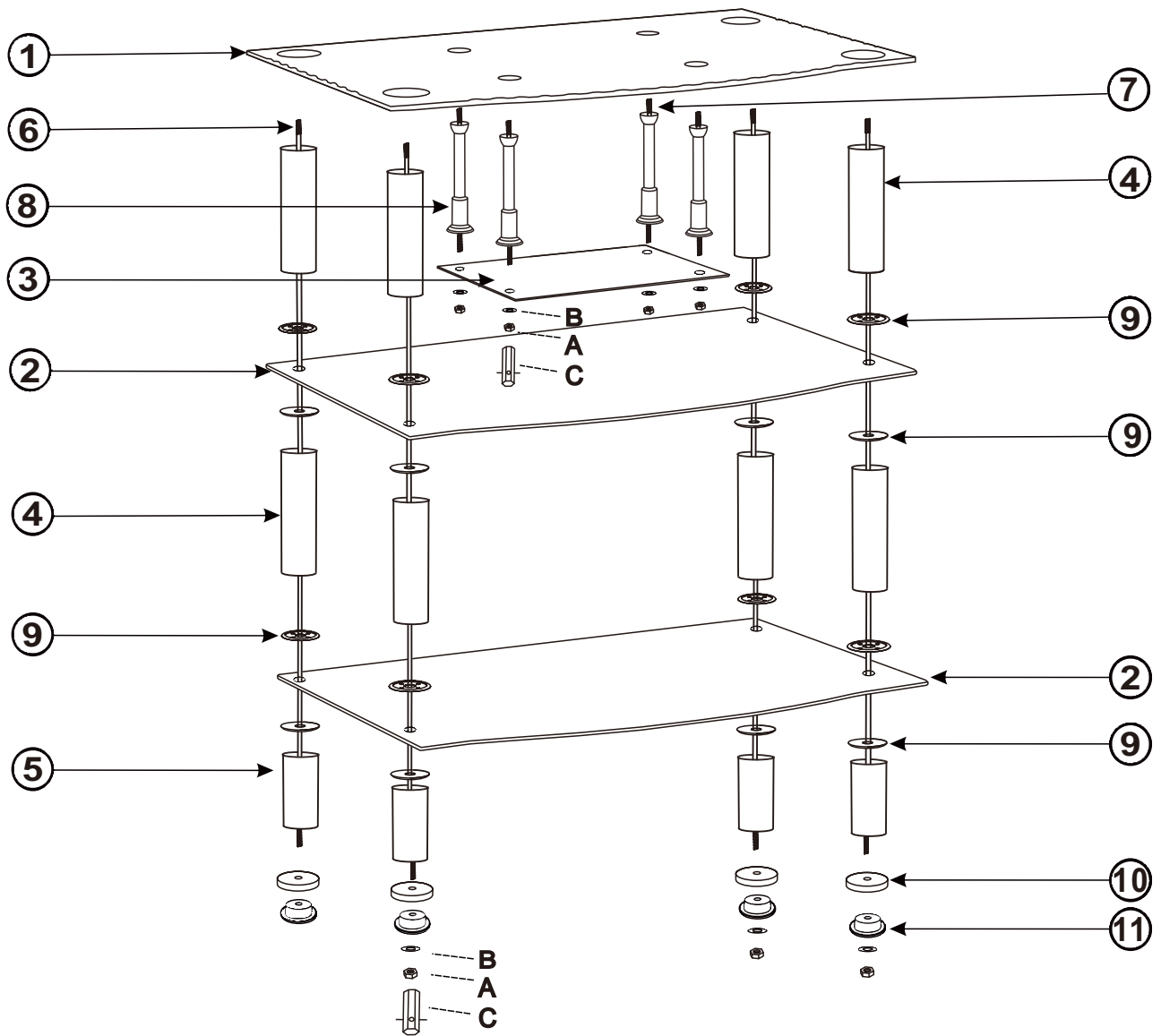
Important

1. Before you throw the package, please use the Check Box to identify the parts and hardware to ensure that you have everything you need.
2. Check and measure the bolts before applying them to parts.
3. Do not completely tighten all hardware until the entire assembly is complete, unless indicated otherwise.

Parts List

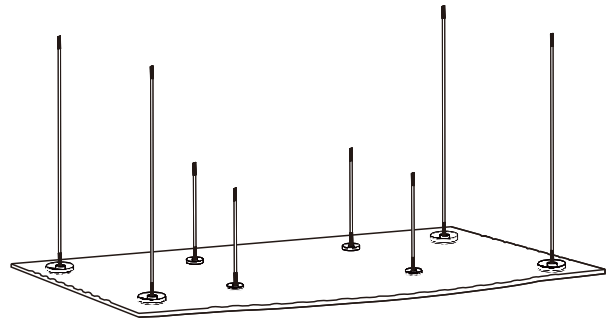
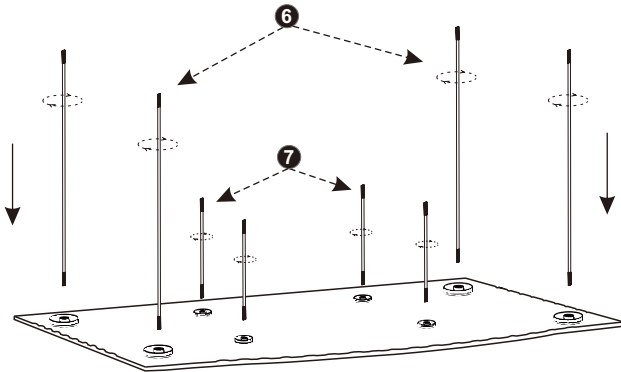
1 Upper Glass  700*500mm	QTY <div style="border: 1px solid black; padding: 2px; display: inline-block;">1</div>	2 Layer Glass  700*500mm	QTY <div style="border: 1px solid black; padding: 2px; display: inline-block;">2</div>	3 Layer Glass  300*400mm	QTY <div style="border: 1px solid black; padding: 2px; display: inline-block;">1</div>
4 Table Stand Tube  Ø50*240mm	<div style="border: 1px solid black; padding: 2px; display: inline-block;">8</div>	5 Table Foot Tube  Ø50*80mm	<div style="border: 1px solid black; padding: 2px; display: inline-block;">4</div>	6 Screw Rod  Ø8*580mm	<div style="border: 1px solid black; padding: 2px; display: inline-block;">4</div>
7 Screw Rod  Ø8*145mm	<div style="border: 1px solid black; padding: 2px; display: inline-block;">4</div>	8 Plastic Casing  Ø15*135mm	<div style="border: 1px solid black; padding: 2px; display: inline-block;">4</div>	9 Plastic Washer  Ø60mm	<div style="border: 1px solid black; padding: 2px; display: inline-block;">16</div>
10 Steel Footing  Ø60*12mm	<div style="border: 1px solid black; padding: 2px; display: inline-block;">4</div>	11 Rubber Mat  Ø58*18mm	<div style="border: 1px solid black; padding: 2px; display: inline-block;">4</div>		

The Breakdown...



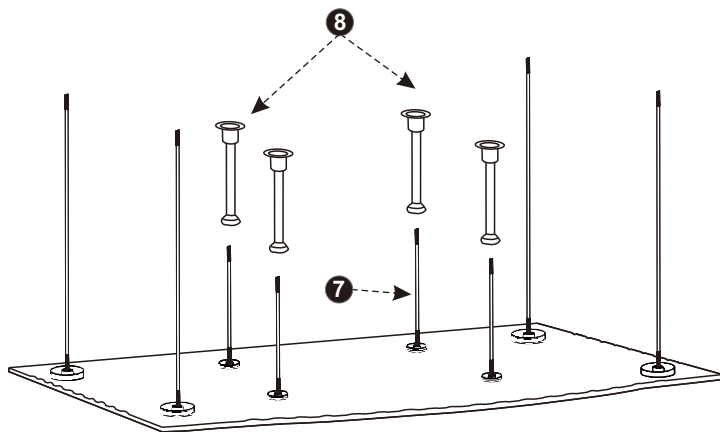
Step 1

- Put upper glass(1) on clear floor or carpet, aluminum tray side upwards.
- Attach screw rod (6) on the big trays, screw rod(7) on small trays.

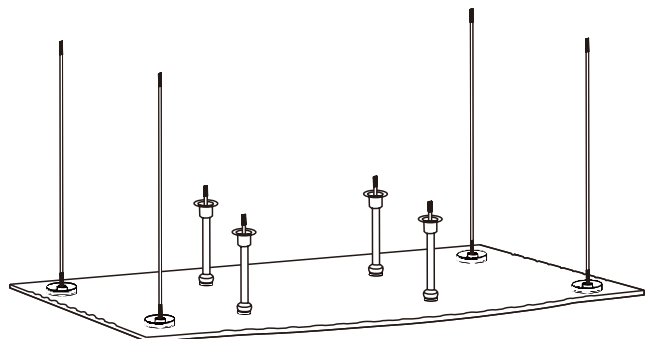


Step 2

- Insert plastic casing (8) through screw rod(6).

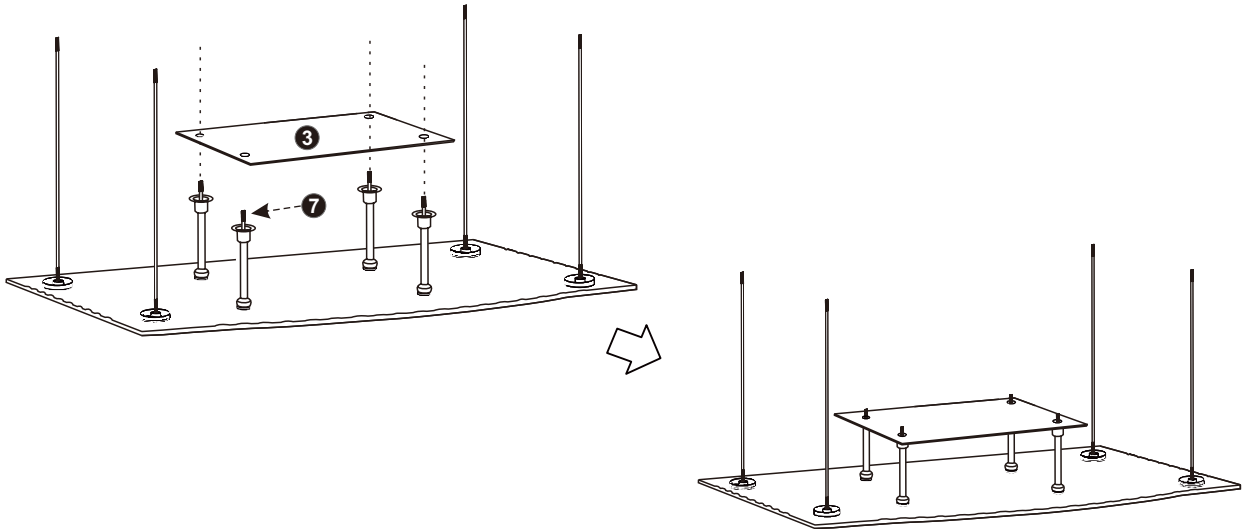


Tip1 :
please note the correct direction
when inserting plastic casing



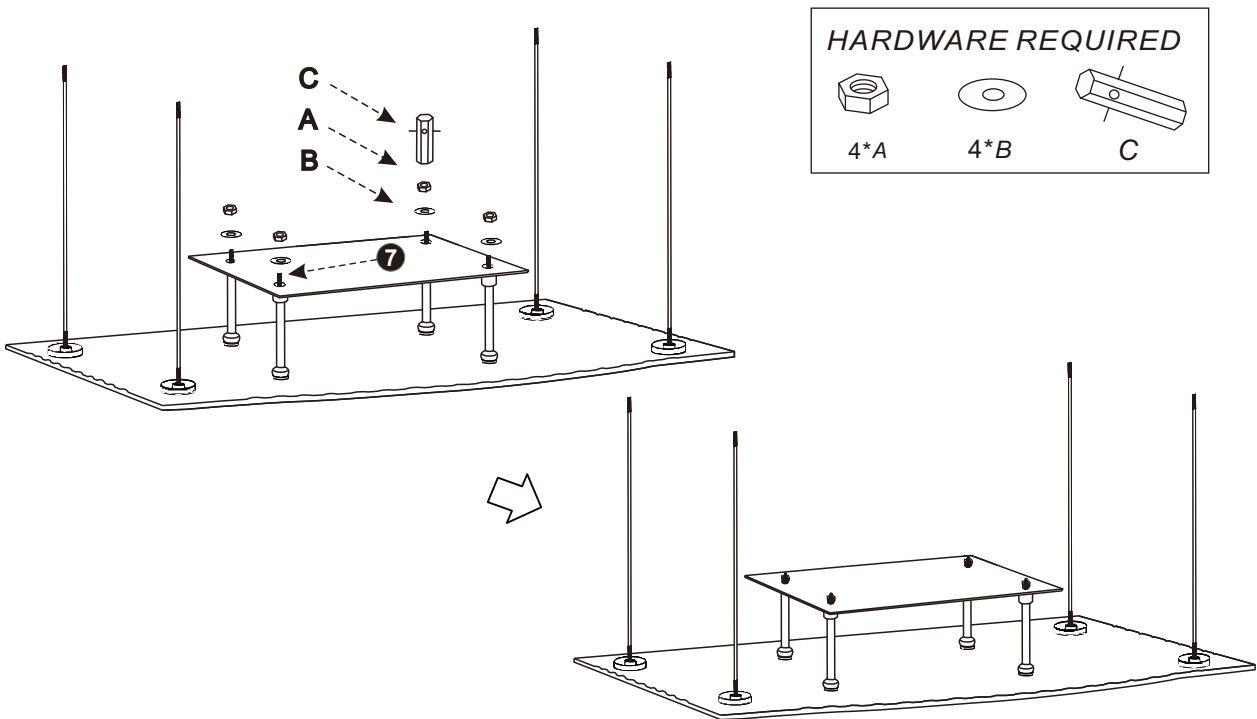
Step 3

• Put layer glass (3) through screw rod (7), painting side upwards.



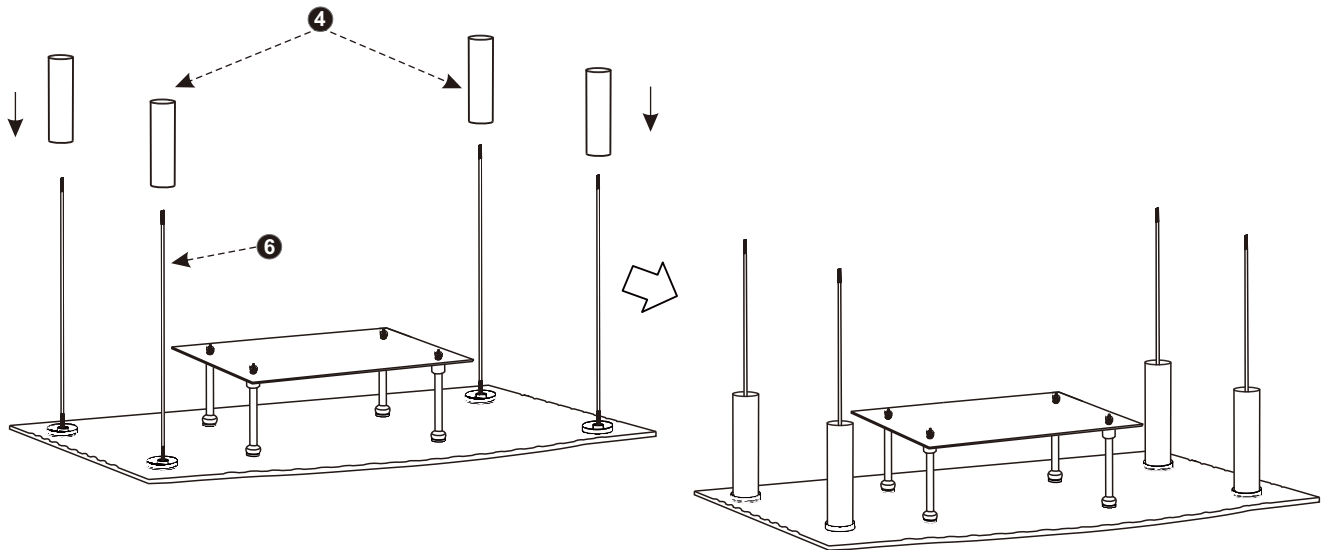
Step 4

• Fix steel washer (B) and nut (A) on screw rod (7), tighten by wrench (C).



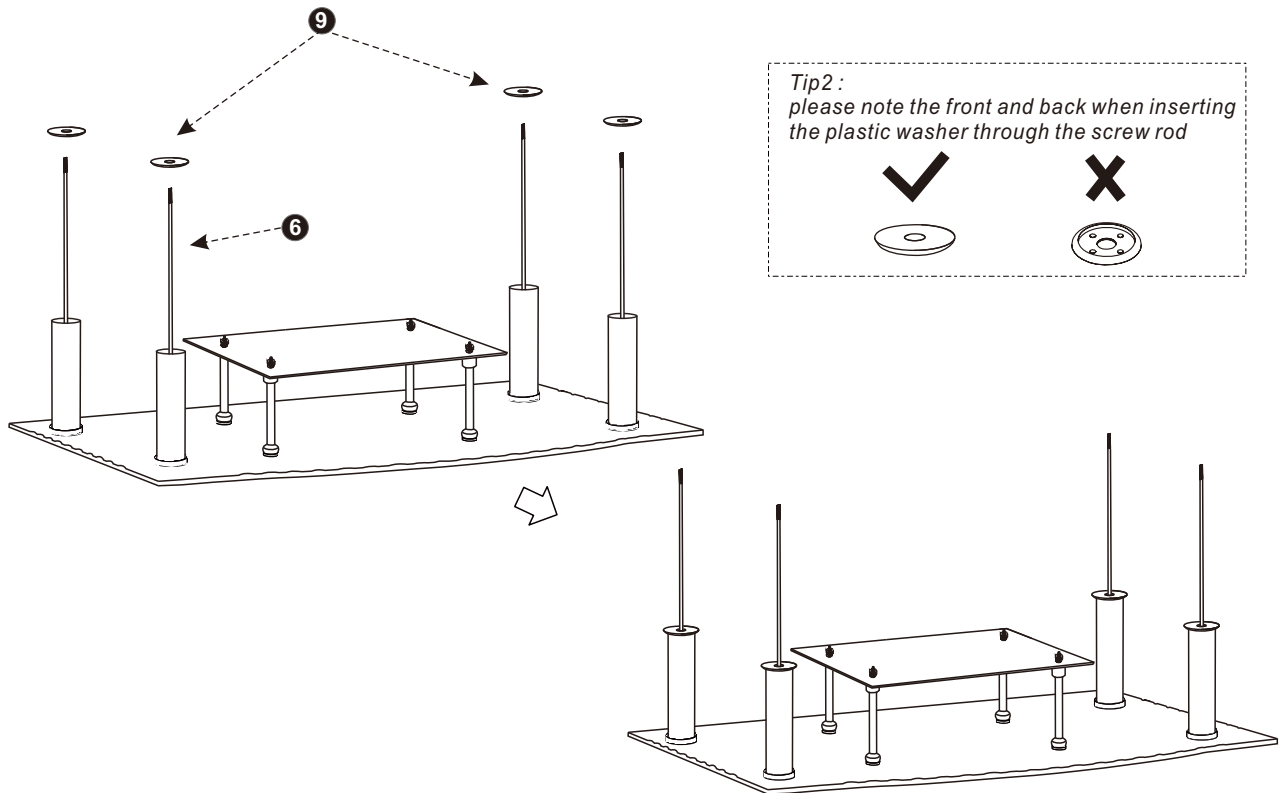
Step 5

• Insert 4X stainless tube (4) through screw rod(6).



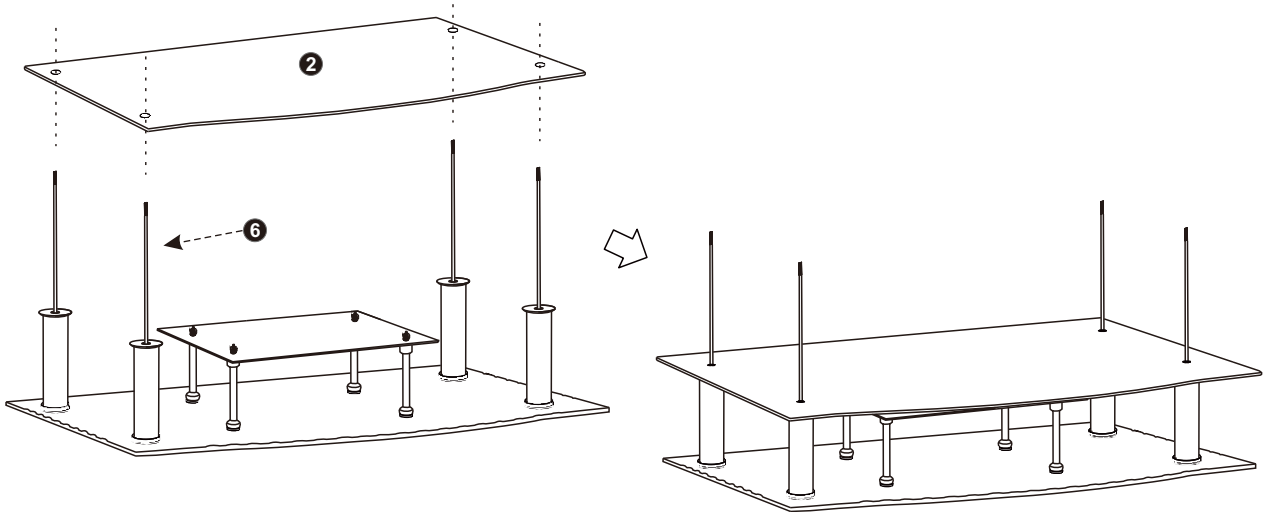
Step 6

• Insert 4X plastic washer(9) through screw rod (6) .



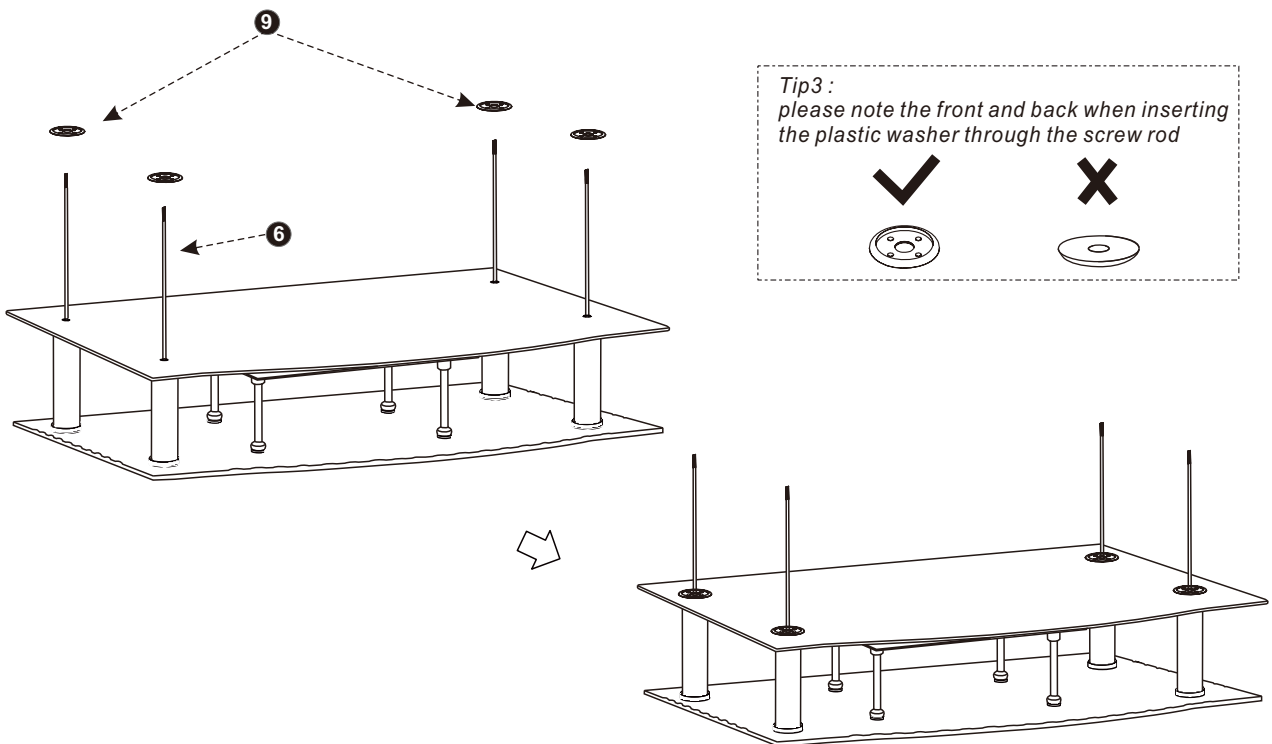
Step 7

• Insert layer glass(2) through screw rod(6) ,painting side upwards.



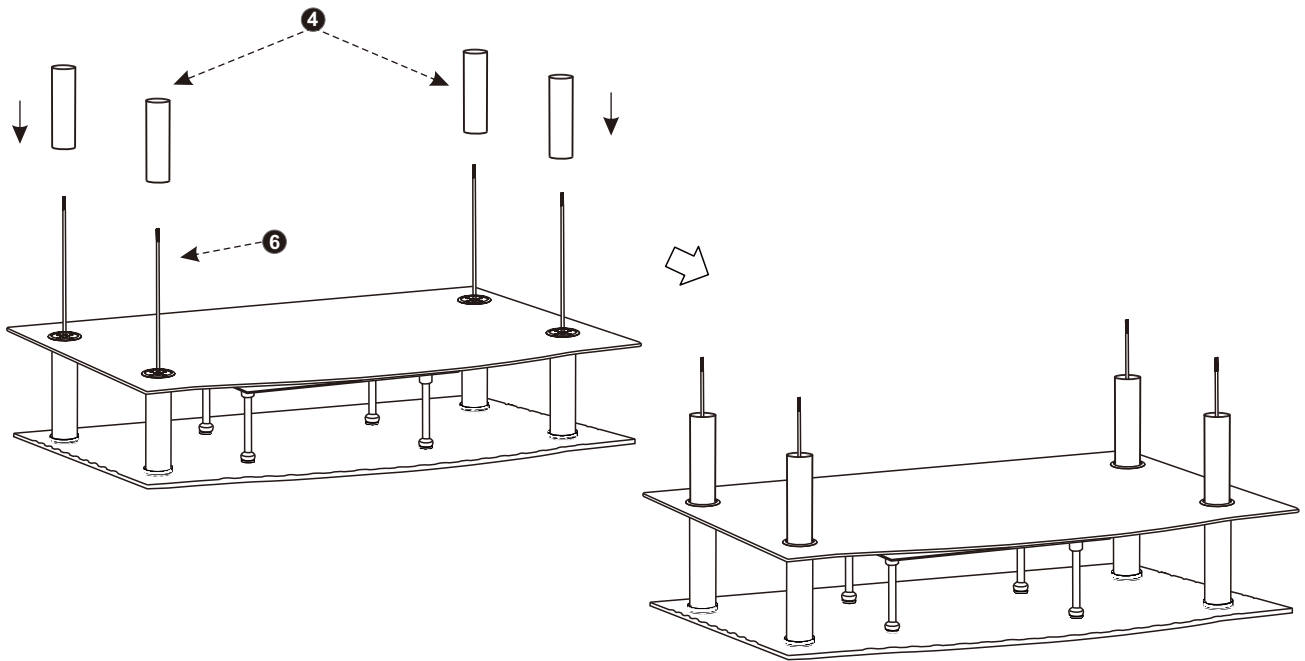
Step 8

• Insert 4X plastic washer(9) through screw rod (6) .



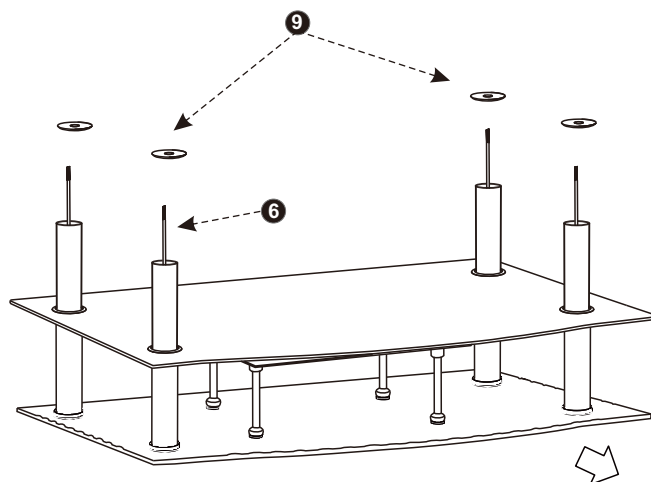
Step 9

•Insert 4X stainless tube (4) through screw rod(6).

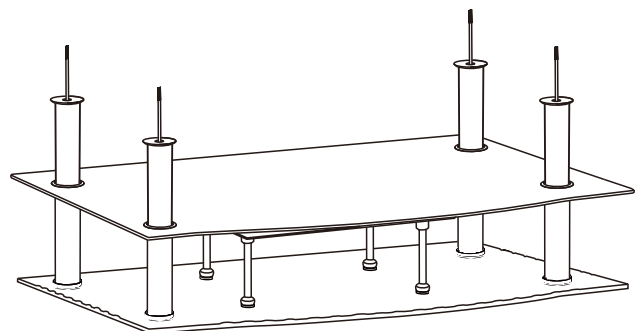


Step 10

•Insert 4X plastic washer(9) through screw rod (6) .

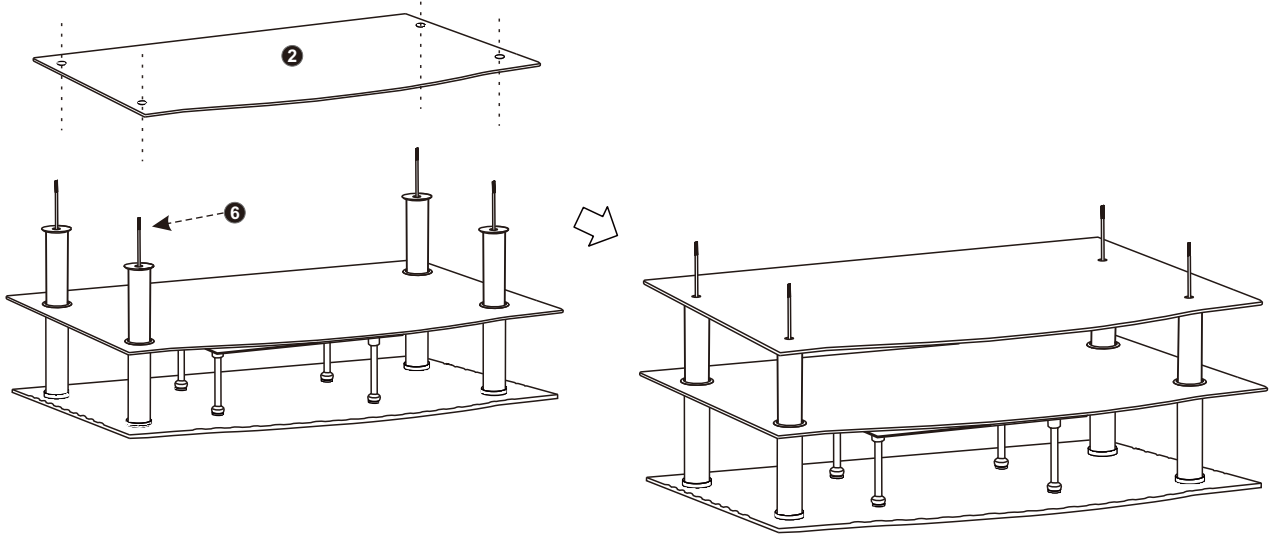


Tip4 :
please note the front and back when inserting
the plastic washer through the screw rod



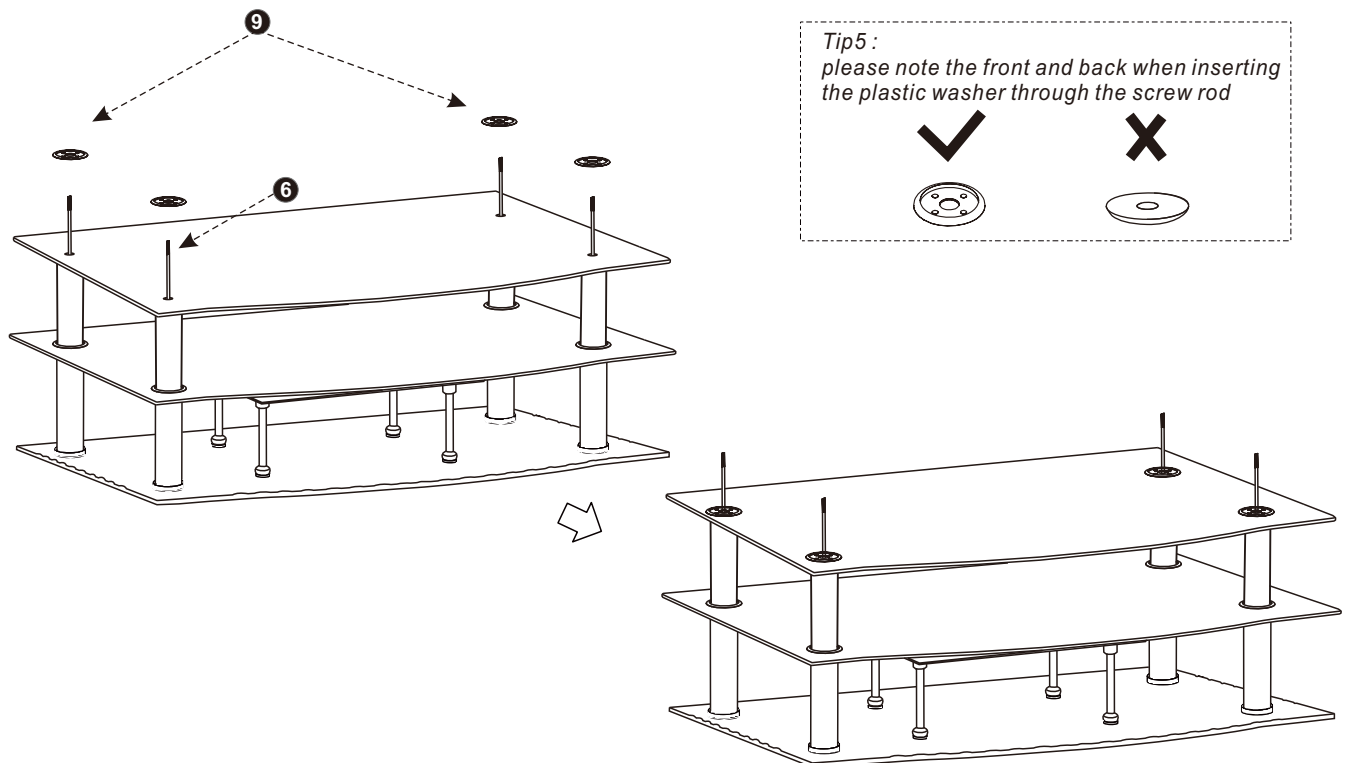
Step 11

• Insert layer glass(2) through screw rod(6) ,painting side upwards.



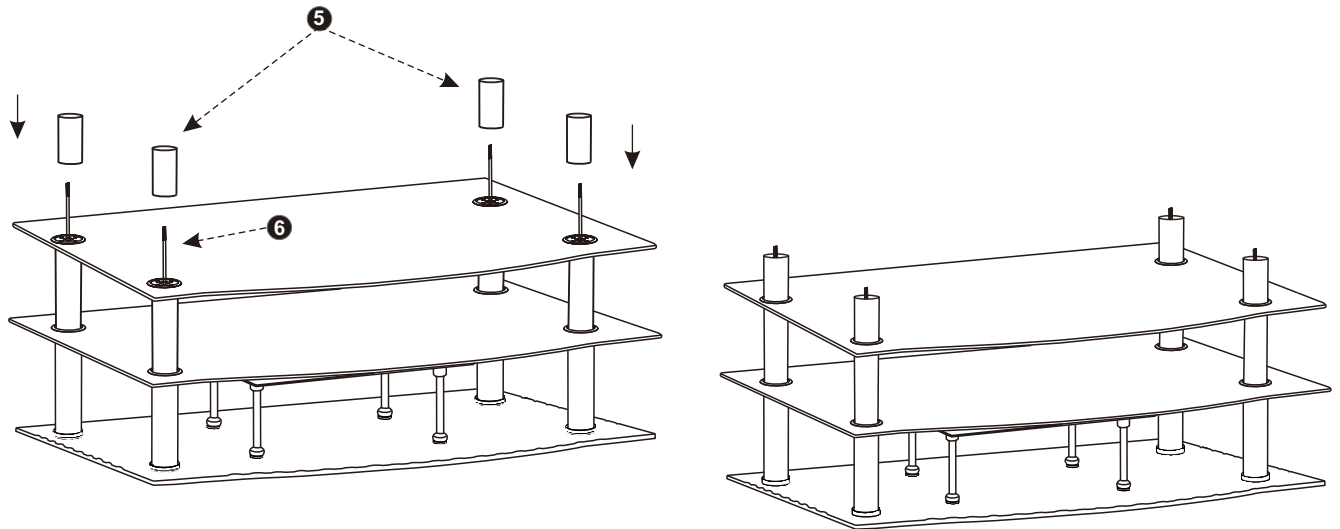
Step 12

• Insert 4X plastic washer(9) through screw rod (6) .



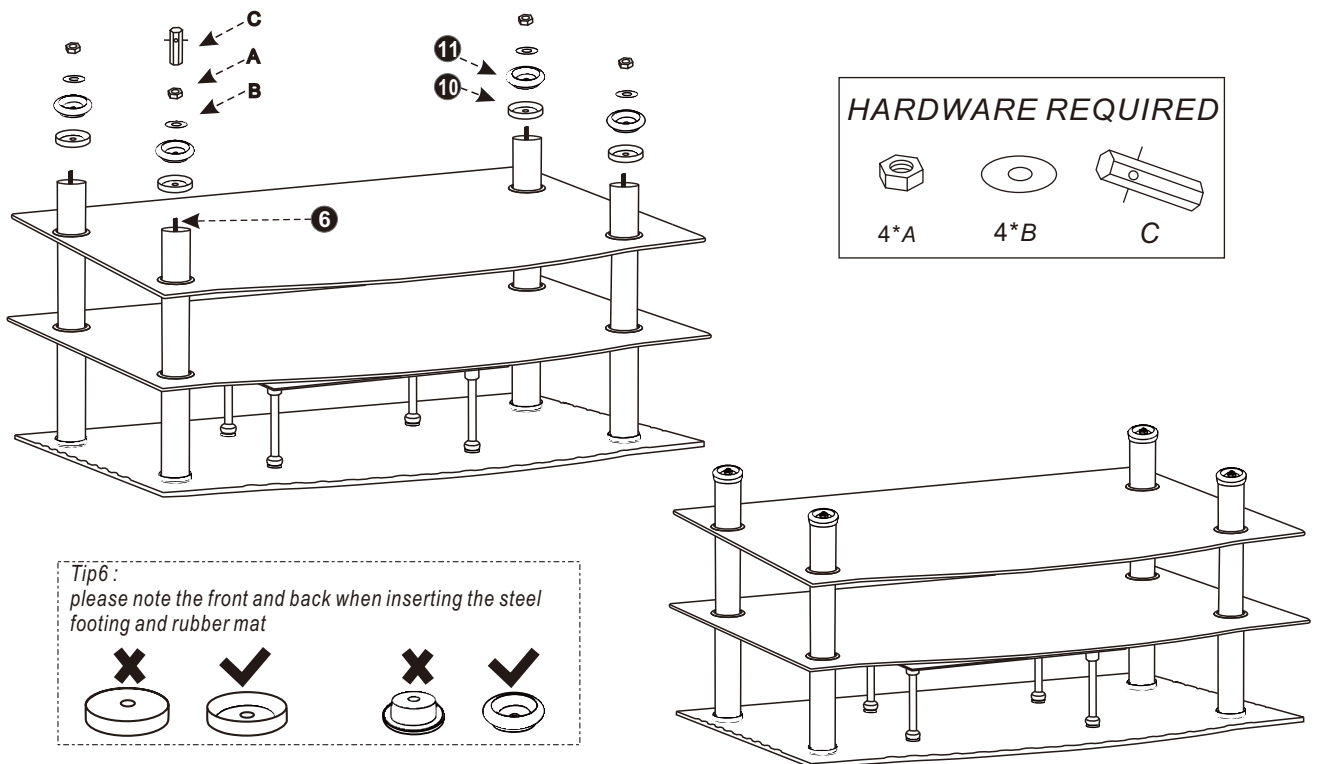
Step 13

• Insert stainless tube (5) through screw rod(6).



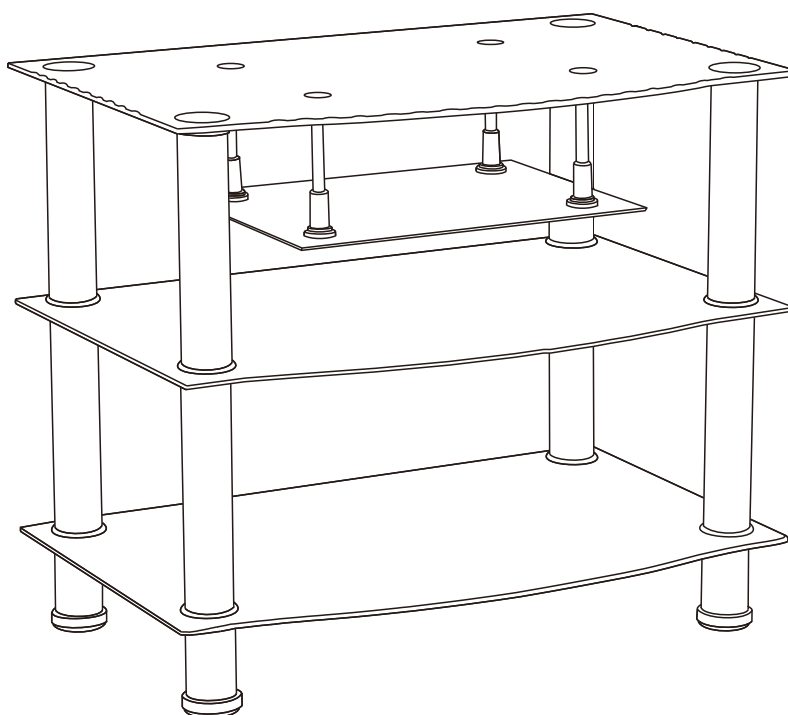
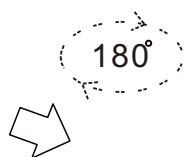
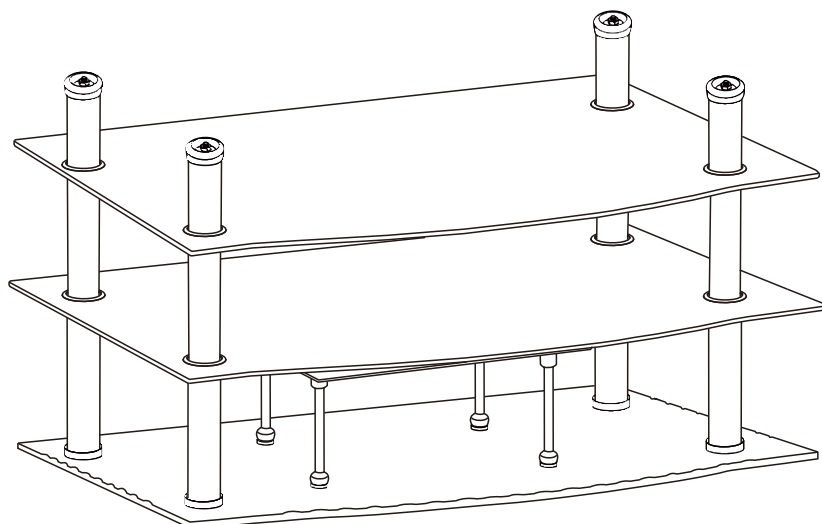
Step 14

• Insert steel footing (10) and rubber mat (11) through screw rod(6).
 • Fix steel washer (B) and nut (A) on screw rod(6), tighten by wrench (C).



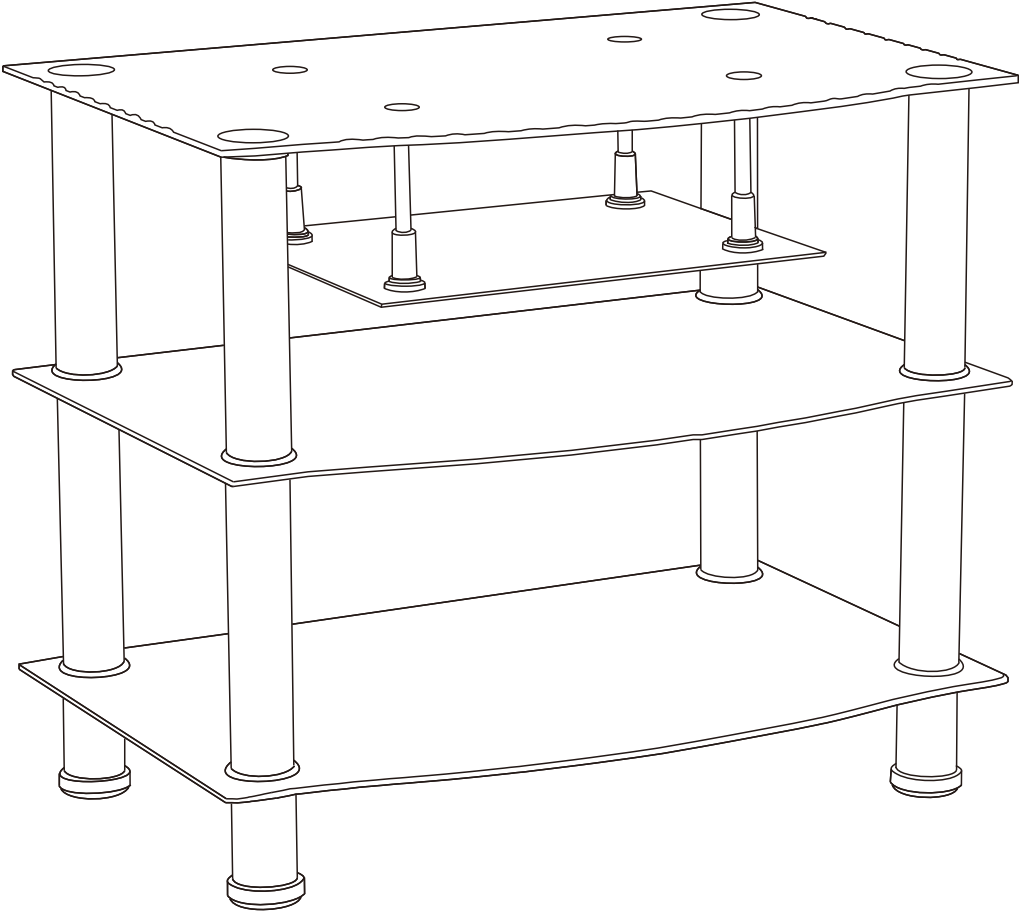
Step 15

- Turn over the stand and place it on the floor.



HODEDAH®

Job Complete...



Enjoy & Thank you for purchasing from Hodedah!

