

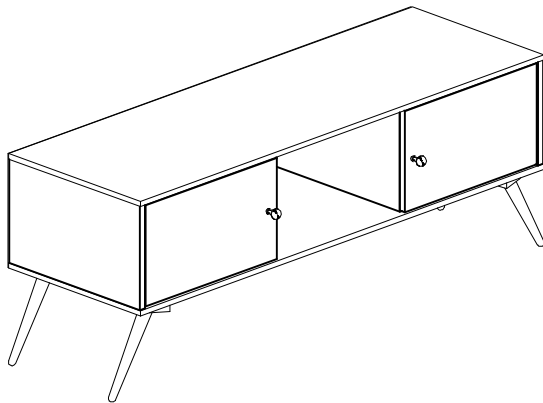


Hodedah

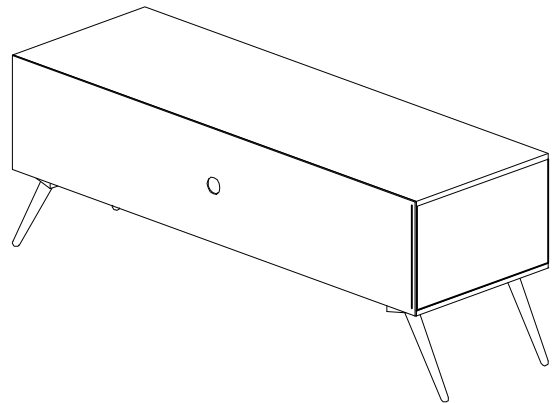
www.hodedah.com
support@hodedah.com

ASSEMBLY INSTRUCTIONS HI TV435 (MOP) (TV CABINET)

~ Before assembly, please read the instructions ~ ~ Follow these steps to assemble the TV Stand ~
~ Keep these instructions for future reference ~



FRONT VIEW



BACK VIEW

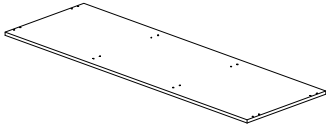


THIS INSTRUCTION BOOKLET CONTAINS IMPORTANT INFORMATION ABOUT ASSEMBLY AND SAFETY. PLEASE READ AND KEEP FOR FUTURE REFERENCE.

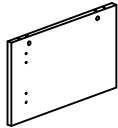
Parts



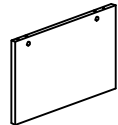
- A Bottom Panel**
1 Pc.
1207 x 394 x 15mm



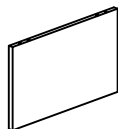
- B Left Side Panel**
1 Pc.
292 x 392 x 15mm



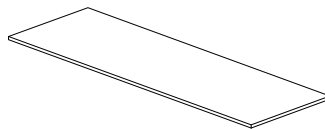
- C Stand Panel**
2 Pcs.
292 x 375 x 15mm



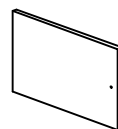
- D Right Side Panel**
1 Pc.
292 x 392 x 15mm



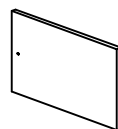
- E Top Panel**
1 Pc.
1207 x 394 x 15mm



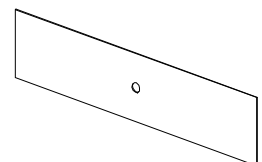
- F Left Door**
1 Pc.
284 x 393 x 15mm



- G Right Door**
1 Pc.
284 x 393 x 15mm

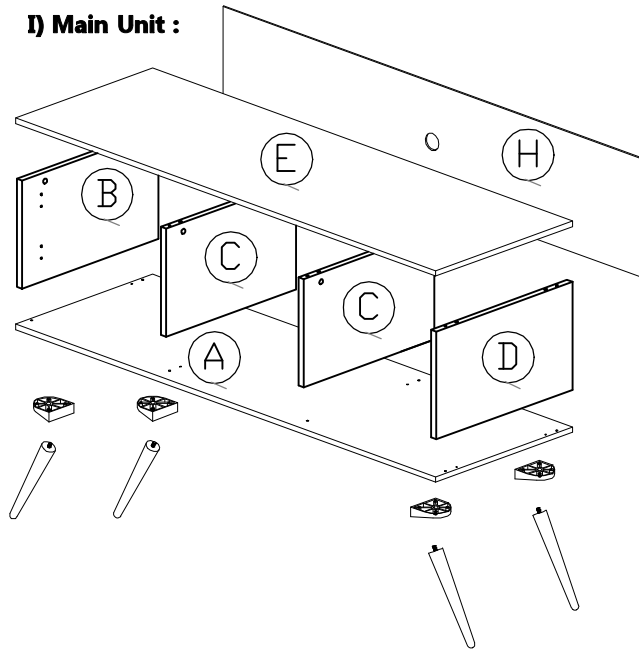


- H Back Panels**
1 Pc.
1205 x 320 x 3mm

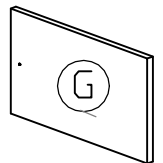
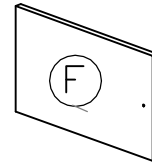


The parts of the product are packed in one box.
There are inner box(es) or package(s) that included components and accessories required to complete the assembly

I) Main Unit :

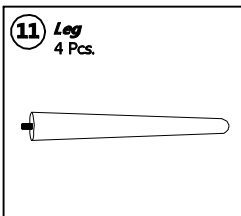
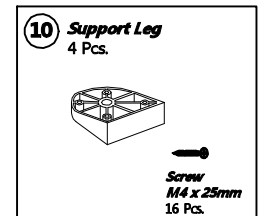
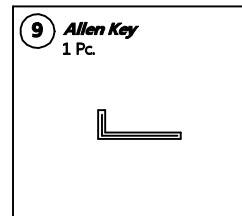
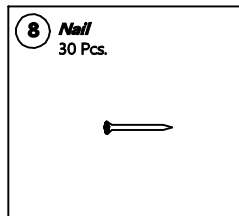
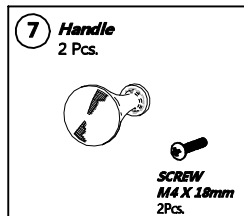
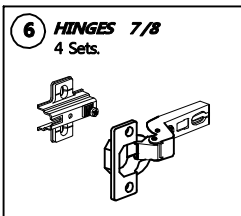
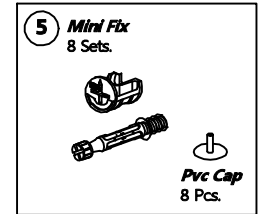
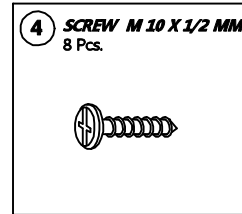
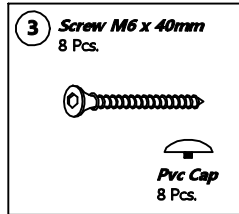
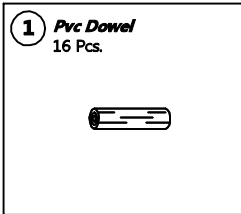


II) Door :



Hardware And Accessories

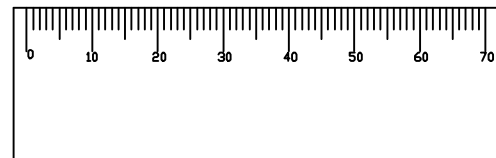
Screw M4 x 25mm
16 Pcs.



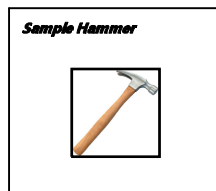
IMPORTANT

Check the measure of the bolts on the scale below or with a measuring tape before applying them in the parts

Observe correctly the application and the position of each bolt accessory, as the step-by-step instructions, before applying them in the parts.



Required Or Recommended Tools



IMPORTANT!

The required or recommended tools for assembly are not supplied with the product.



Hodedah

www.hodedah.com
support@hodedah.com

- This product contains small components, please ensure that they are kept away from small children.
- THIS INSTRUCTION BOOKLET CONTAINS **IMPORTANT** SAFETY INFORMATION. PLEASE READ AND KEEP FOR FUTURE REFERENCE.



DO NOT RETURN PRODUCT TO THE STORE.

If a part is missing or damaged, email our customer service. We will gladly ship your replacement parts **FREE** of charge.

Need Parts or Assistance?

email us at

support@hodedah.com

For prompt, reliable service; please have your assembly manual ready.



Hodedah

www.hodedah.com
support@hodedah.com

Thank you for purchasing from Hodedah

**To learn more about hodedah and our products visit
www.hodedah.com**

READ BEFORE BEGINNING ASSEMBLY

- Read each step carefully. It is very important that each step of instruction is performed in the correct order. If these steps are not followed in sequence, assembly difficulties will occur.
- Make sure all parts are included. Most parts are labelled or stamped on the raw edge.
- Work in spacious area, preferably on a carpet, near the place the unit will be used.
- Do not use power tools to assemble your furniture. Power tools may strip or damage the parts.

HELPFUL HINTS

- Call us if you need assistance.
- Move your new furniture carefully, with two people lift and carry the unit to it's new location.
- Never push, drag or pull your furniture (especially on carpet).

Warranty Information

Hodedah warrants this product to be free from defects in material and workmanship agrees to remedy any such defect. This warranty covers one year from the date of original purchase. This is solely limited to be repair or replacement of defective parts and no assembly labor is included.

This warranty does not apply to any product which has been improperly assembled, subjected to misuse or abuse or which has been altered or repaired in any way.

To obtain warranty service, purchaser must present original bill of sale. Components repaired or replaced warranted through the remainder of the original warranty period only. The defective components will be repaired or replaced without charge, subject to the terms and conditions described above.

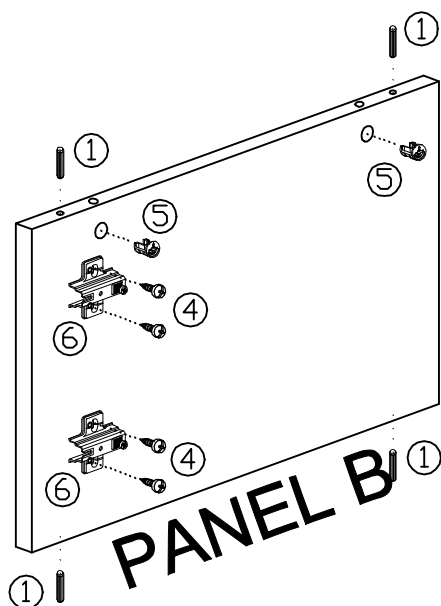
For help with assembly, identifying parts, product information or to order parts, please contact us:

Call us at:
718-456-0505
Monday-Friday
9:00am-5:00pm

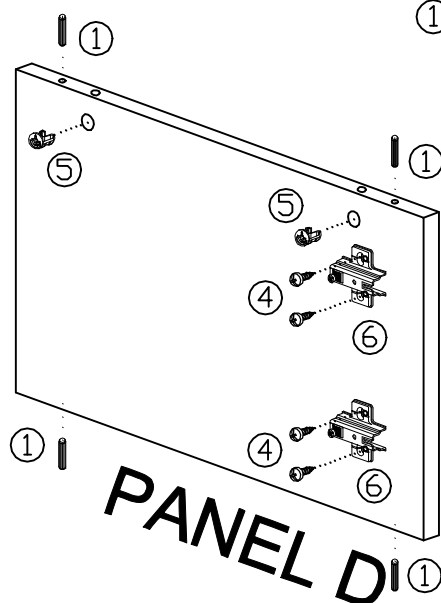
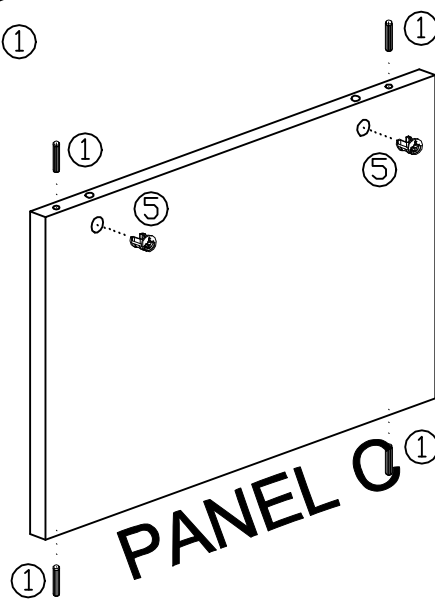
Visit our website:
www.hodedah.com

Pre - Assembly

Insert PVC dowels ① to panels B, C and D's non-thru holes as shown, using hammer to gently tap them in.



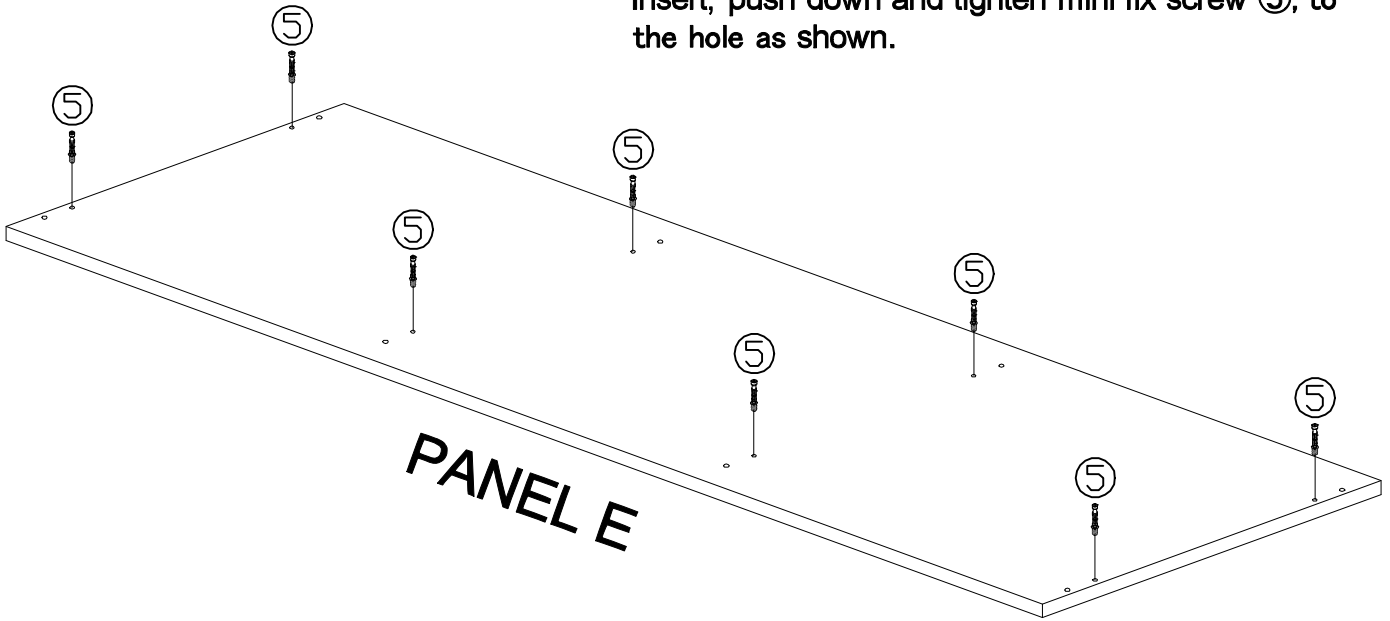
Insert the mini fix nuts ⑤ with the cross arrow mark facing outward and aim to panels B, C and D's L-thru holes. (As shown)



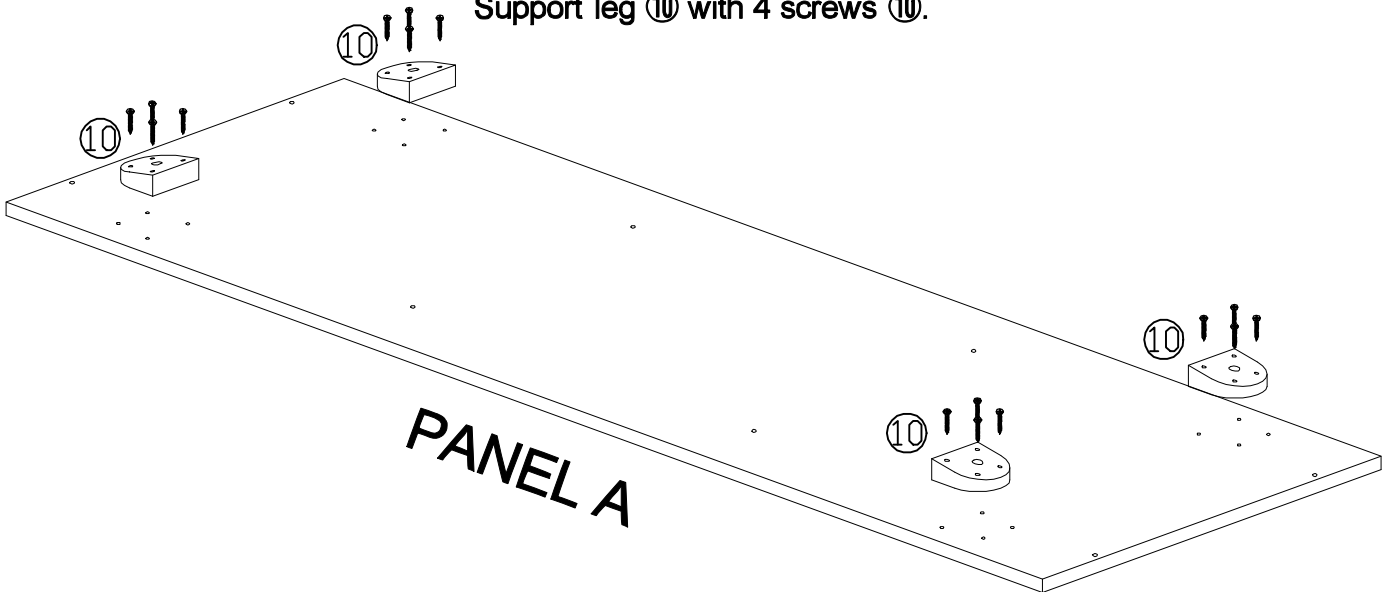
Place hinges ⑥ at the panels B and D as shown. Then tighten hinges ⑥ with 2 screws ④ and 2 screws ⑤.

Pre - Assembly

Insert, push down and tighten mini fix screw ⑤, to the hole as shown.

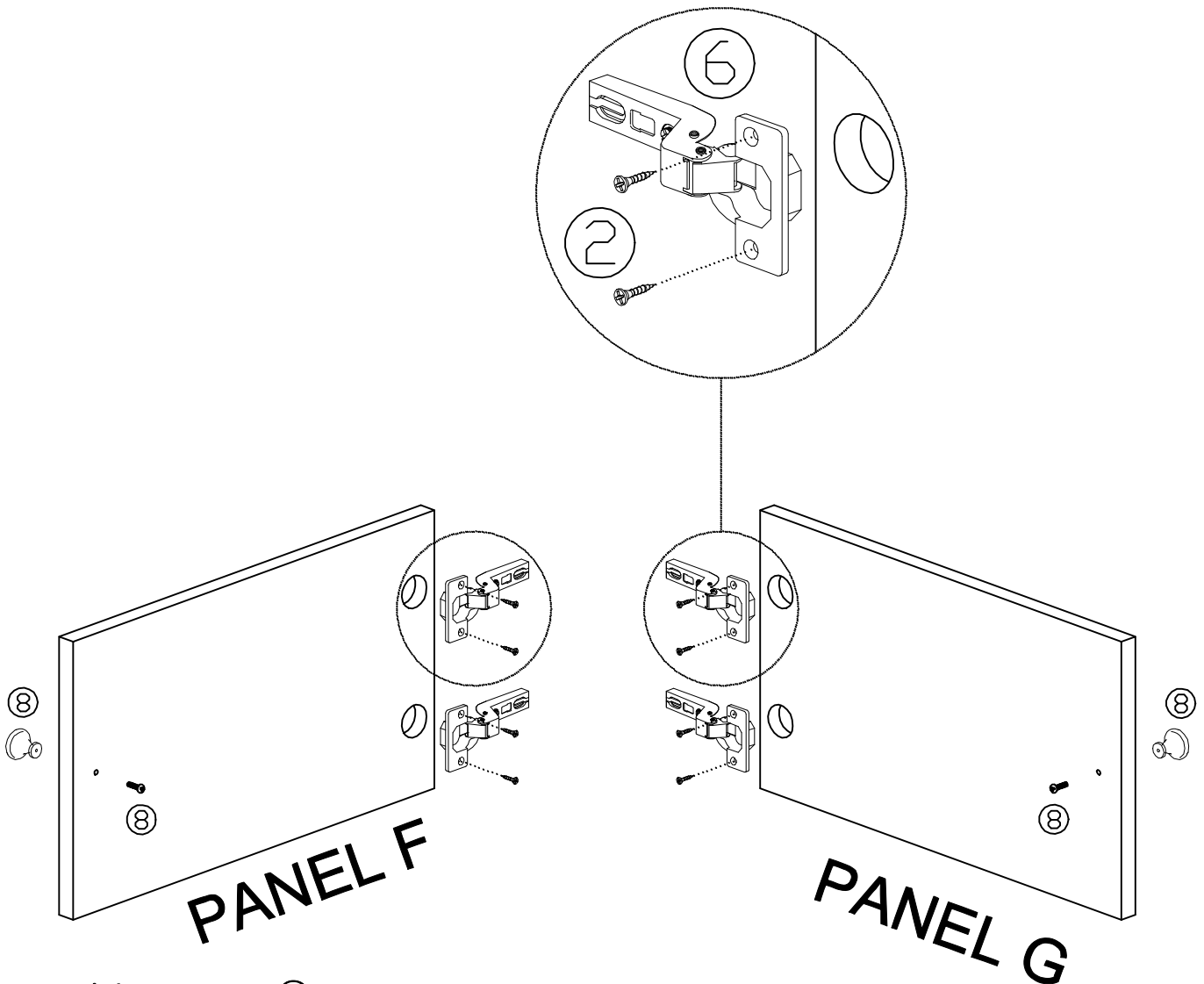


Place Support leg ⑩ at the panel A as shown. Then tighten Support leg ⑩ with 4 screws ⑩.



Door Panel Assembly Instruction Step 1

Slot hinges ⑥ into door panels F and G 's non-thru holes as shown, then tighten screws ② through hinges ⑥ ' thru hole.

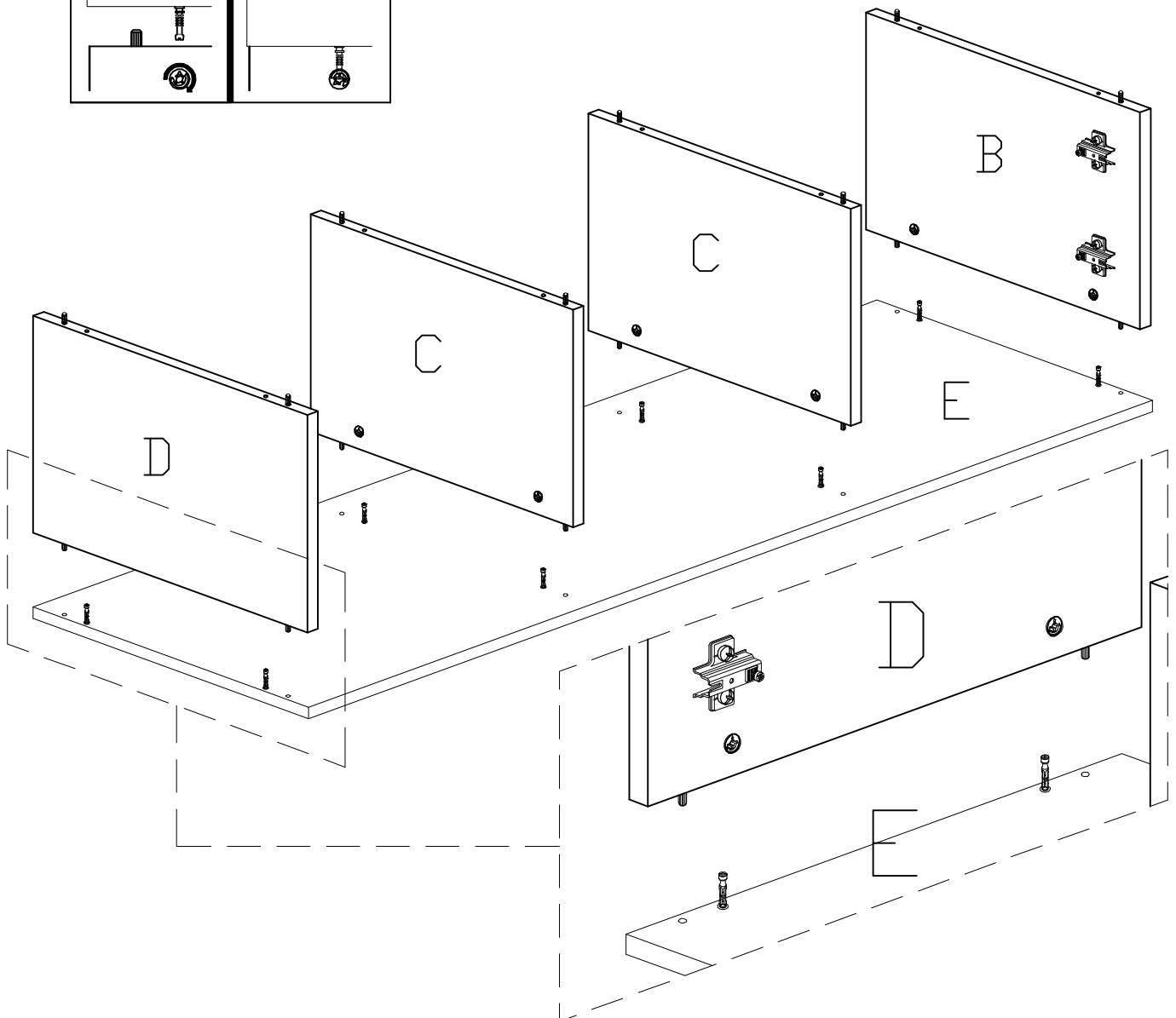
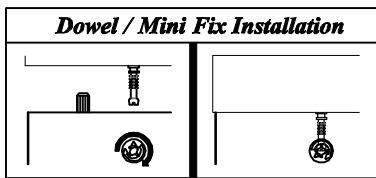


Tighten screws ⑧ from door panels F and G 's thru hole into the handle ⑧ holes.

Assembly Instruction Step 1

Put panel E with 8 mini fix screws upward, later fix panels B, C and D onto panel E by inserting and slotting panel E's mini fix screws into panels B, C and D's L-thru holes, and simultaneously slotting panels B, C and D's PVC dowel onto the panel E's non-thru holes (beside mini fix screws).

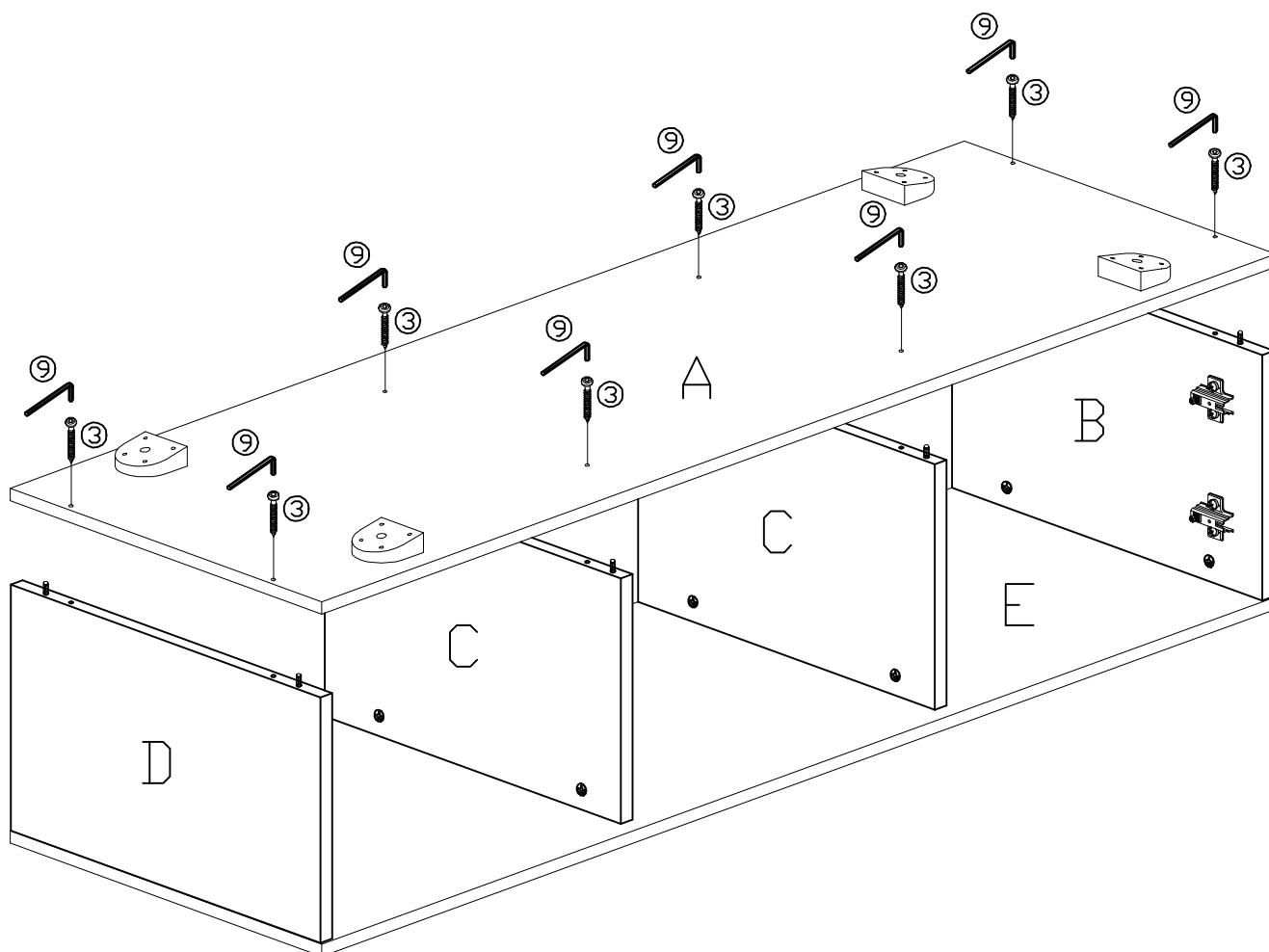
Dowel / Mini Fix Installation



Assembly Instruction Step 2

Put panel A with Supporting Leg upward, later fix panel A onto panels B, C and D by slotting panels B, C and D's PVC dowel onto the panel A's non-thru holes.

Use allen key ⑨ to tighten screws ③ from thru-holes of panel A to non thru hole of panels B, C and D. (As picture shown)

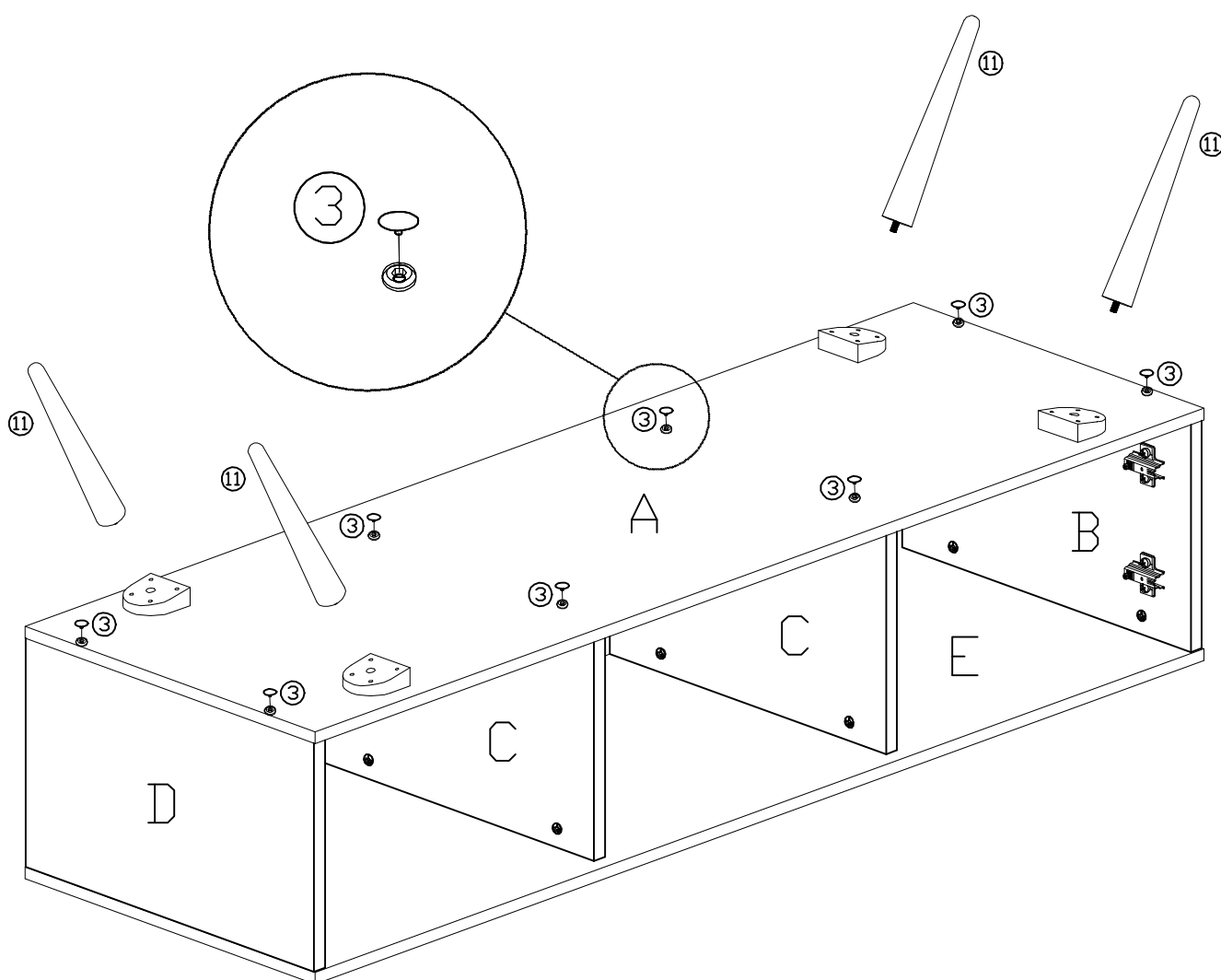


Assembly Instruction Step 3

Cover all the screws ③ head with the PVC cap ③ provided by pushing the cover's stem onto the hole of screw heads one by one for all screws.

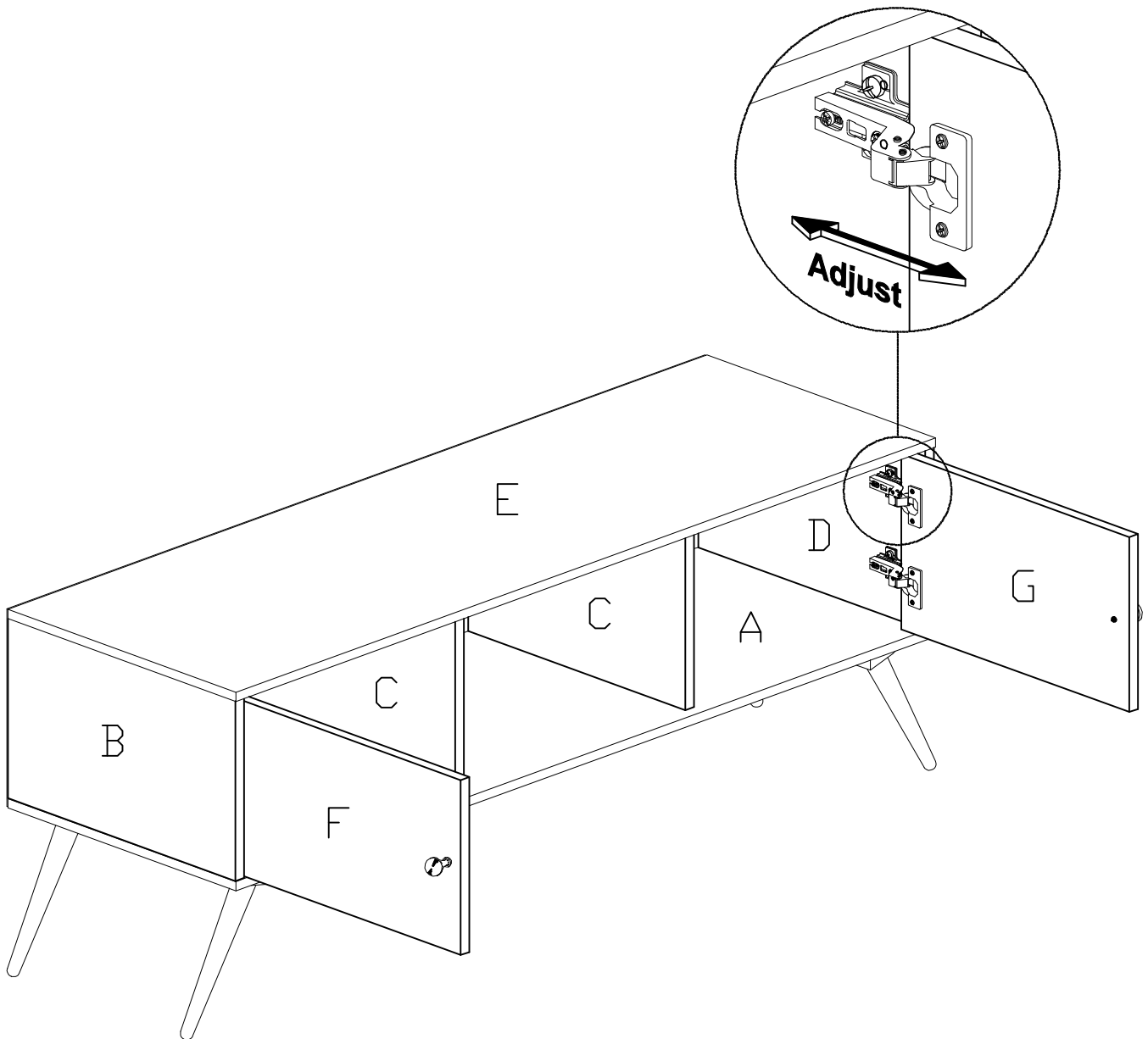
Cover all mini fix caps ⑤ provided by pushing the cover's stem onto the hole of mini fix nuts.

Tighten 4 Legs ⑪ onto Supporting Leg.



Assembly Instruction Step 4

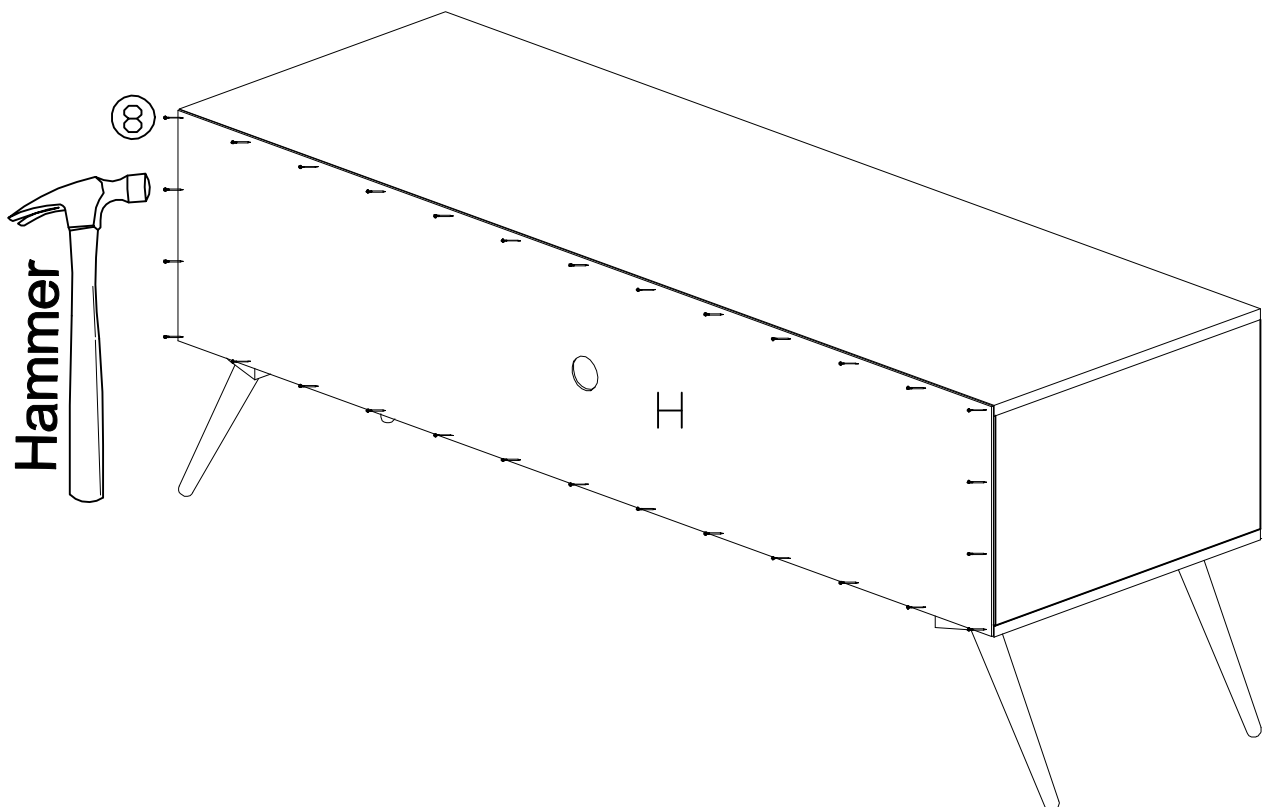
Join the door panels F and G 's hinges with panels B and D 's hinges as shown.
You can align the door panels F and G by tightening and loosening the screws as shown.



Assembly Instruction Step 5

Place the back Panel H onto the back of the main unit.

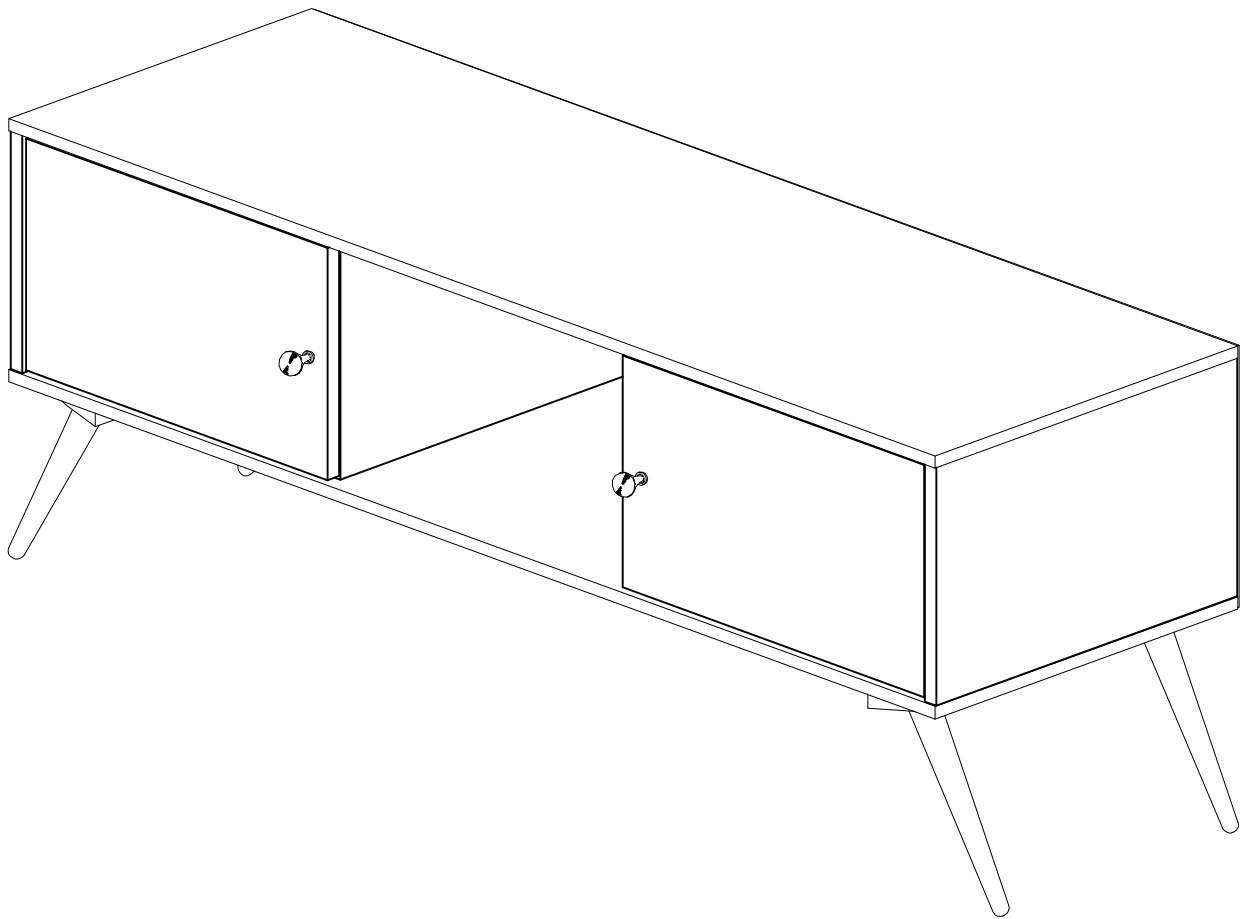
Then use hammer to nail the nails one by one and at center of 4 side edges. Gap between 2 nails should be about 100mm for all.





Hodedah

www.hodedah.com
support@hodedah.com



Completion

In the interest of our environment please dispose of all packaging thoughtfully.