

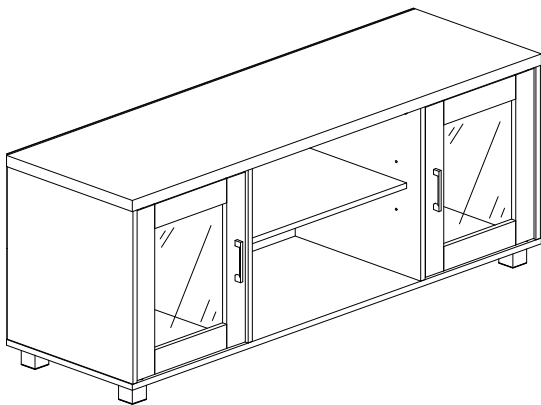
HODEDAH®

Assembly Instructions

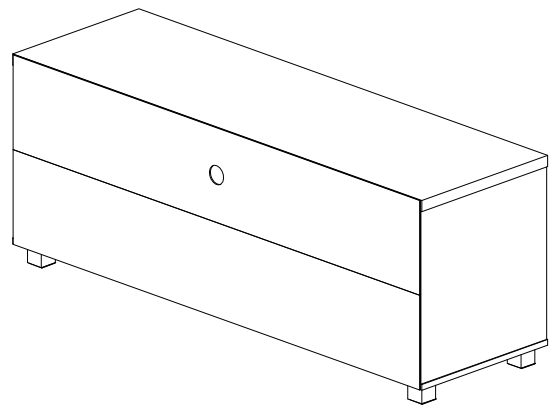
This instruction booklet contains important safety information, please read and keep for future reference.

ITEM # HITV107-G

57 INCH WIDE TV STAND



FRONT VIEW



BACK VIEW

Product Dimensions: Height 21.62" x Width 57" x Depth 17.75"

Accommodates up to a 60 inch TV



Phone

Mon - Fri | 9:30 am to 5pm EST

1 - 855 - HODEDAH

1 - 855 - 463 -3324



Email

Send us an email

Support@Hodedah.com



Website

Visit our website to open a case

www.Hodedah.com

Questions, need parts, we are here to help!

FOR PROMPT, RELIABLE SERVICE PLEASE HAVE YOUR INSTRUCTION MANUAL READY



DO NOT RETURN PRODUCT TO THE STORE

If parts are missing or damaged please contact our customer service team and we will gladly ship your replacement parts FREE of charge within **ONE YEAR** of purchase!

WARRANTY

Hodedah warrants this product to be free from defects in materials and workmanship and agrees to remedy any such defect. This warranty covers one year from the date of original purchase. This is solely limited to replacement of defective parts and no assembly for labor is included. This warranty does not apply to any product that has been improperly assembled, subjected to misuse, abuse or which has been altered or repaired in any way. To obtain warranty service, original purchaser must present the following; original bill of sale, date of purchase, where the product was purchased and images if applicable. Components replaced warranted through the remainder of the original warranty only. The defective part will be replaced without charge, subject to the terms and conditions described above.

WARNING

- This product contains small parts, keep away from children.
- This product contains plastic bags, keep away from children.
- Serious or fatal crushing injuries can occur from furniture tip-over. To help prevent this, place heaviest items on the lower shelves and drawers. Do not set heavy objects on top shelves and drawers.
- Never allow children to climb or hang on drawers, shelves and doors.
- Never open more than one drawer at a time.
- The use of tip-over restraints may reduce but not eliminate the risk of tip-over.

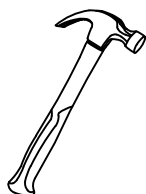
- Never open more than one drawer at a time.
- The use of tip-over restranits may reduce but not eliminate the risk of tip-over.

Let's get started...

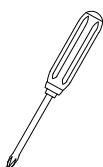
Helpful hints, read before beginning assembly

- Make sure you receive all boxes. If your item is packed in one box, box count will read 1 of 1, likewise if your item is packed in two boxes, box count will read 1 of 2 and second box will read 2 of 2.
- Read each step carefully. It is very important that each step is performed in the correct order. If these steps are not followed in sequence, assembly difficulties will occur.
- Work in a spacious level area, preferably carpet, near the place the unit will be used.
- **DO NO USE** power tools to assemble your furniture, it will strip and damage parts.
- Your package should include the following hardware and parts. Parts are labeled or stamped on the raw edge. Please inspect contents to ensure you have received all components. **If you are missing any hardware or parts please contact customer service right away before assembly.**

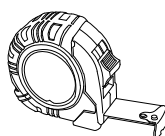
Assembly Tools Required (not supplied)



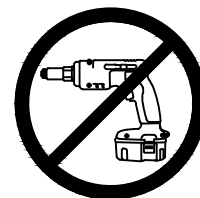
Hammer



Phillips Screwdriver



Tape Measure

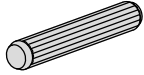
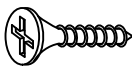
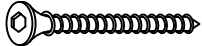




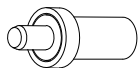
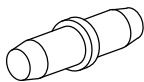
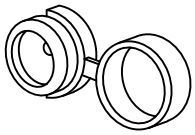
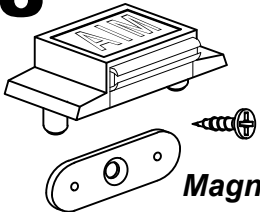
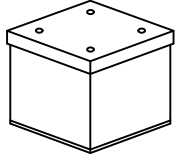
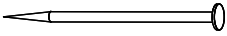



No Power Tools Needed


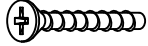
Product Care and Maintenance

- Wipe clean with dry soft cloth, never use chemicals or cleaning products they will damage the finish.
- Avoid placing your furniture in direct sunlight, as sunlight causes fading.
- Never push, drag or pull your furniture, to move to a new location carefully with two or more people carry the unit to its new location.
- Avoid extreme changes in temperature by arranging furniture away from radiators, heat and air vents and air conditioning units.

Hardware List

<p>1</p>  <p>Pvc Dowel</p>	<p>QTY</p> <input type="checkbox"/> <p>16 Pcs</p>	<p>2</p>  <p>Screw M3.5 x 14mm</p>	<p>QTY</p> <input type="checkbox"/> <p>36 Pcs</p>	<p>3</p>  <p>Screw M6 x 40mm</p>  <p>Pvc Cap</p>	<p>QTY</p> <input type="checkbox"/> <p>8 Pcs</p> <p>8 Pcs</p>
<p>4</p>   <p>Mini Fix</p>  <p>Pvc Cap</p>	<p>QTY</p> <input type="checkbox"/> <p>8 Sets</p> <p>8 Pcs</p>	<p>5</p>  <p>Door Support</p>	<p>QTY</p> <input type="checkbox"/> <p>4 Pcs</p>	<p>6</p>  <p>Shelf Support</p>	<p>QTY</p> <input type="checkbox"/> <p>4 Pcs</p>
<p>7</p>  <p>Glass Round Bracket 180°</p>	<p>QTY</p> <input type="checkbox"/> <p>12 Pcs</p>	<p>8</p>  <p>Magnet</p>	<p>QTY</p> <input type="checkbox"/> <p>2 Sets</p>	<p>9</p>  <p>PVC Square Leg</p>	<p>QTY</p> <input type="checkbox"/> <p>6 Pcs</p>
<p>10</p>  <p>Nail</p>	<p>QTY</p> <input type="checkbox"/> <p>40 Pcs</p>	<p>11</p>  <p>Allen Key</p>	<p>QTY</p> <input type="checkbox"/> <p>1 Pc</p>	<p>12</p> <p>Anti-Tip Kit (separate from hardware pack)</p>	<p>QTY</p> <input type="checkbox"/> <p>1 PK</p>

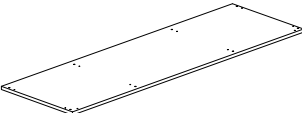
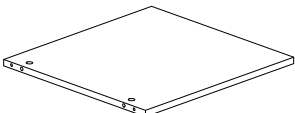
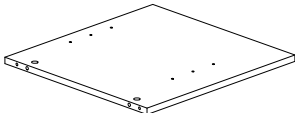
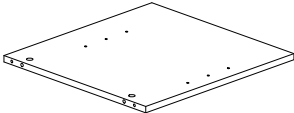
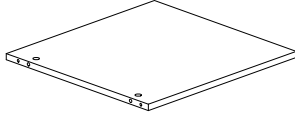
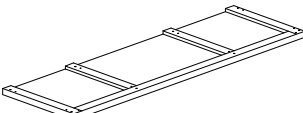
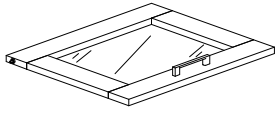
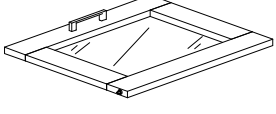
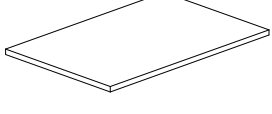

Accessories

<p>12</p>  <p>Handle</p>  <p>Screw M4 X 20mm</p>	<p>QTY</p> <input type="checkbox"/> <p>2 Pcs</p> <p>4 Pcs</p>
---	--

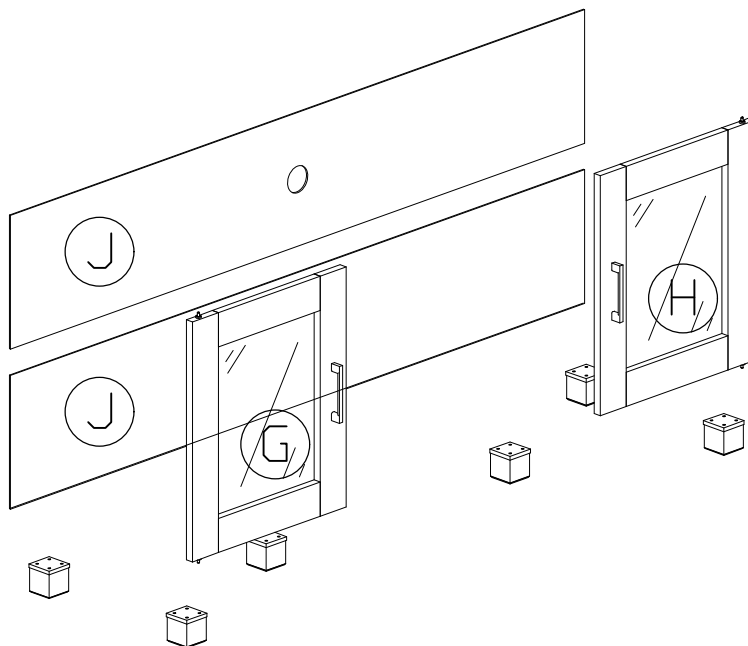
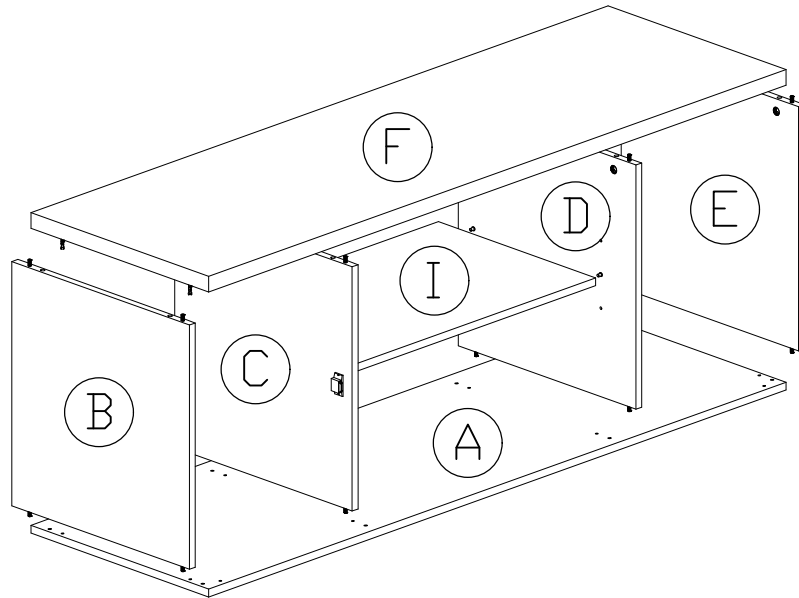
Important

1. Before you throw the package, please use the Check Box to identify the parts and hardware to ensure that you have everything you need.
2. Check and measure the bolts before applying them to parts.
3. Do not completely tighten all hardware until the entire assembly is complete, unless indicated otherwise.

Parts List

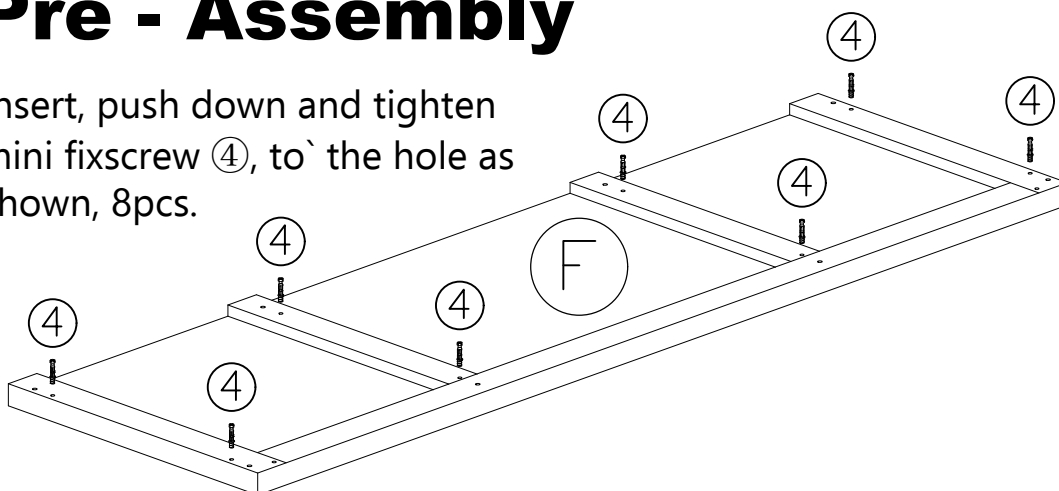
<p>A Bottom Panel 1448 x 446 x 15mm</p> 	<p>QTY</p> <p>1 Pc</p>	<p>B Left Side Panel 464 x 445 x 15mm</p> 	<p>QTY</p> <p>1 Pc</p>	<p>C Left Stand Panel 464 x 445 x 15mm</p> 	<p>QTY</p> <p>1 Pc</p>
<p>D Right Stand Panel 464 x 445 x 15mm</p> 	<p>QTY</p> <p>1 Pc</p>	<p>E Right Side Panel 464 x 445 x 15mm</p> 	<p>QTY</p> <p>1 Pc</p>	<p>F Top Panel 1448 x 446 x 30mm</p> 	<p>QTY</p> <p>1 Pc</p>
<p>G Left Door 456 x 385 x 15mm</p> 	<p>QTY</p> <p>1 Pc</p>	<p>H Right Door 456 x 385 x 15mm</p> 	<p>QTY</p> <p>1 Pc</p>	<p>I Adjust Panels 597 x 394 x 15mm</p> 	<p>QTY</p> <p>1 Pc</p>
<p>J Back Panels 1440 x 254 x 3mm</p> 	<p>QTY</p> <p>2 Pcs</p>				

The Breakdown

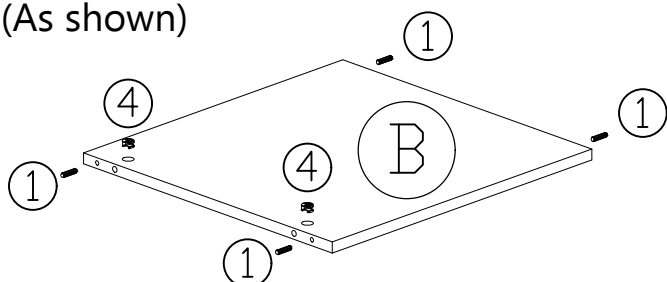
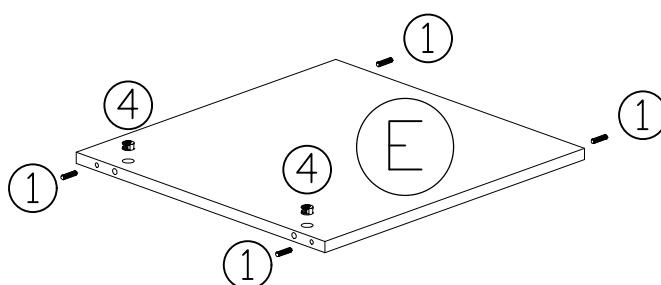


Pre - Assembly

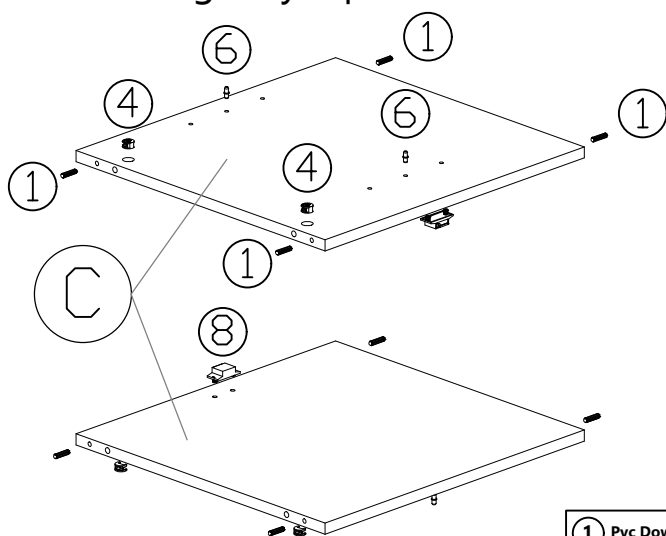
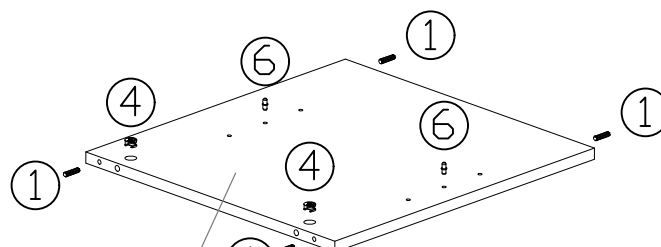
Insert, push down and tighten mini fix screw ④, to the hole as shown, 8pcs.



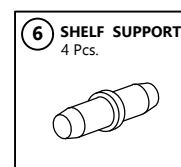
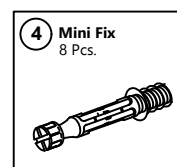
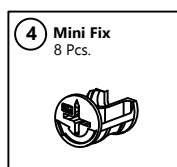
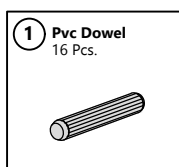
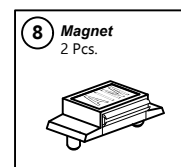
Insert mini fix ④ (nuts) with the cross arrow mark facing upward and aim to the panel B, C, D, E 's top thru holes. (As shown)



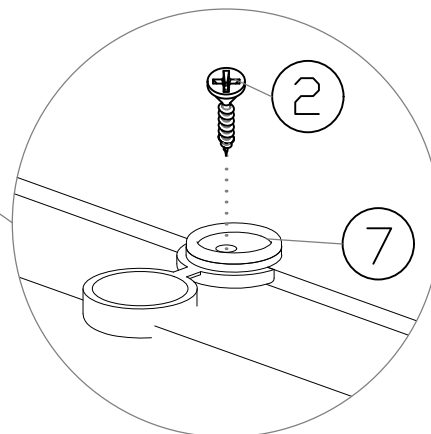
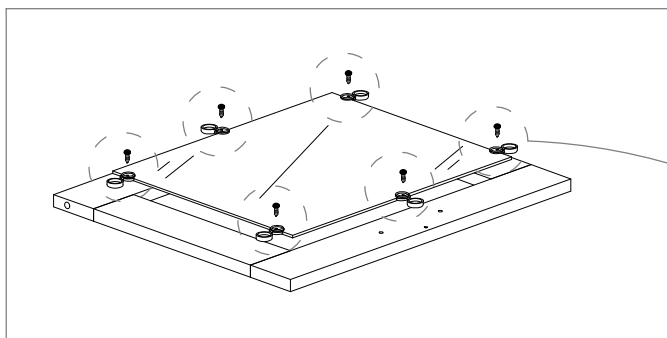
Insert pvc dowels ① to both end of the panels B, C, D, E as shown. Using hammer to gently tap them in.



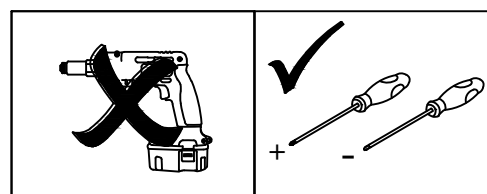
Insert magnet ⑧ to panels C and D as shown.



Door Panel Assembly

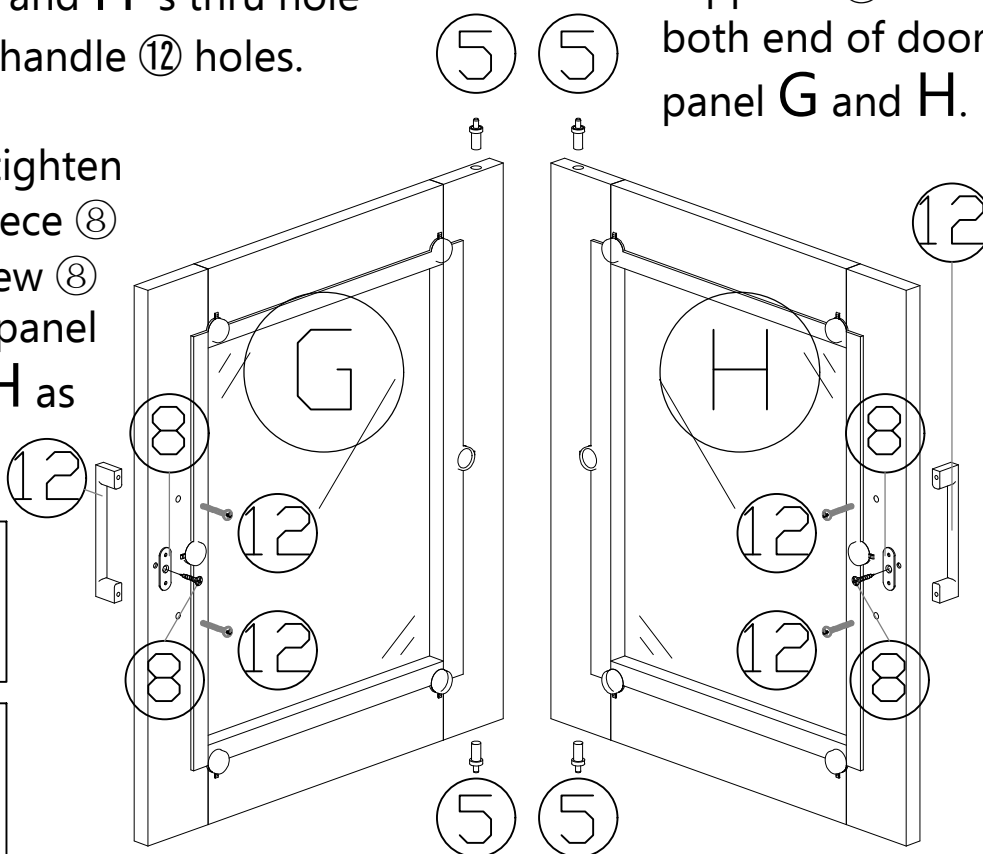
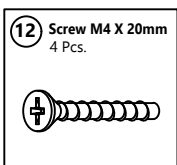
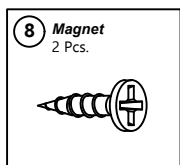
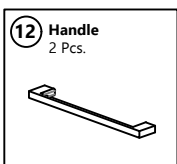
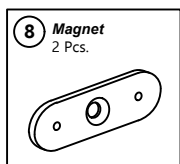
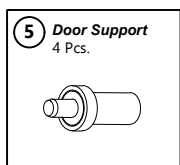
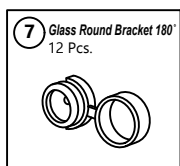
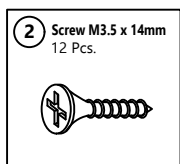


Put the glasses on backside of the panel **G** and **H** as shown, next use **Glass Round Bracket** ⑦ to mount and fix the glass edge as shown, then tighten it with screw ②, after that close the **Glass Round Bracket** ⑦ lid to cover the screws.



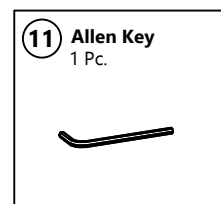
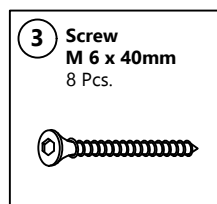
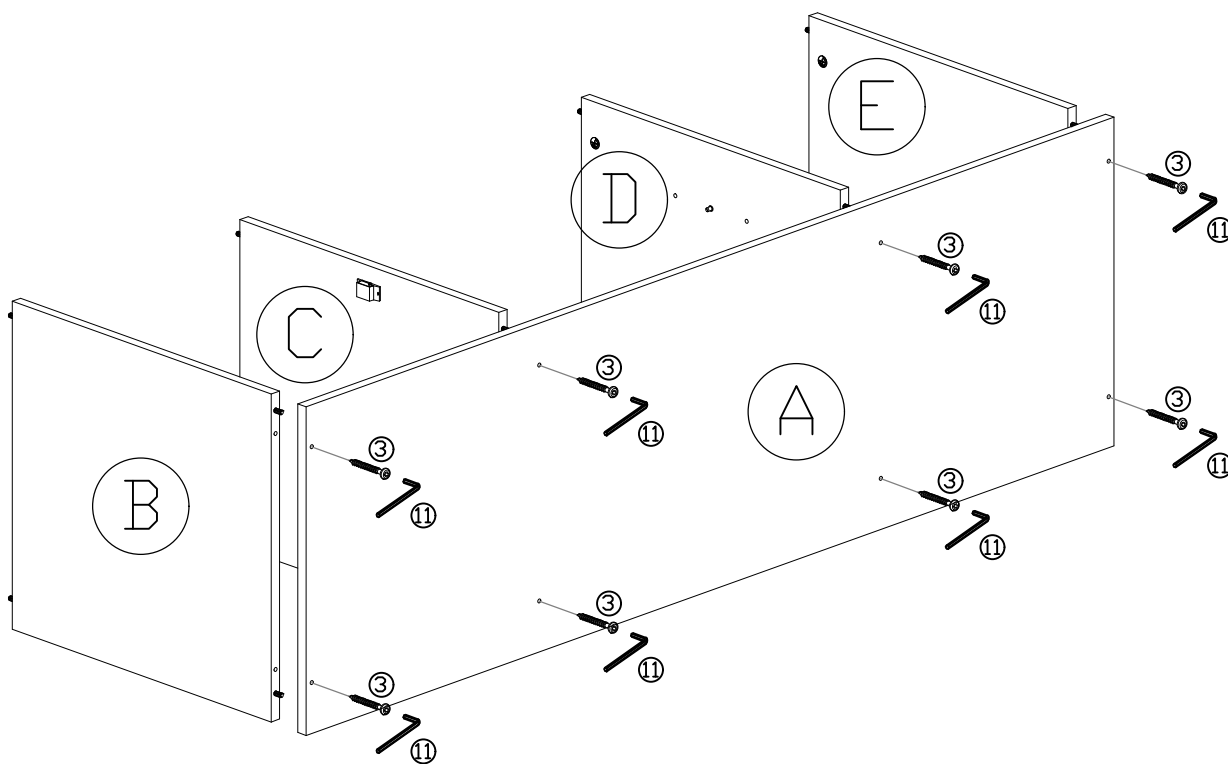
Tighten 2 screws ⑫ from panel **G** and **H** 's thru hole into the handle ⑫ holes.

Insert door supports ⑤ to both end of door panel **G** and **H**.



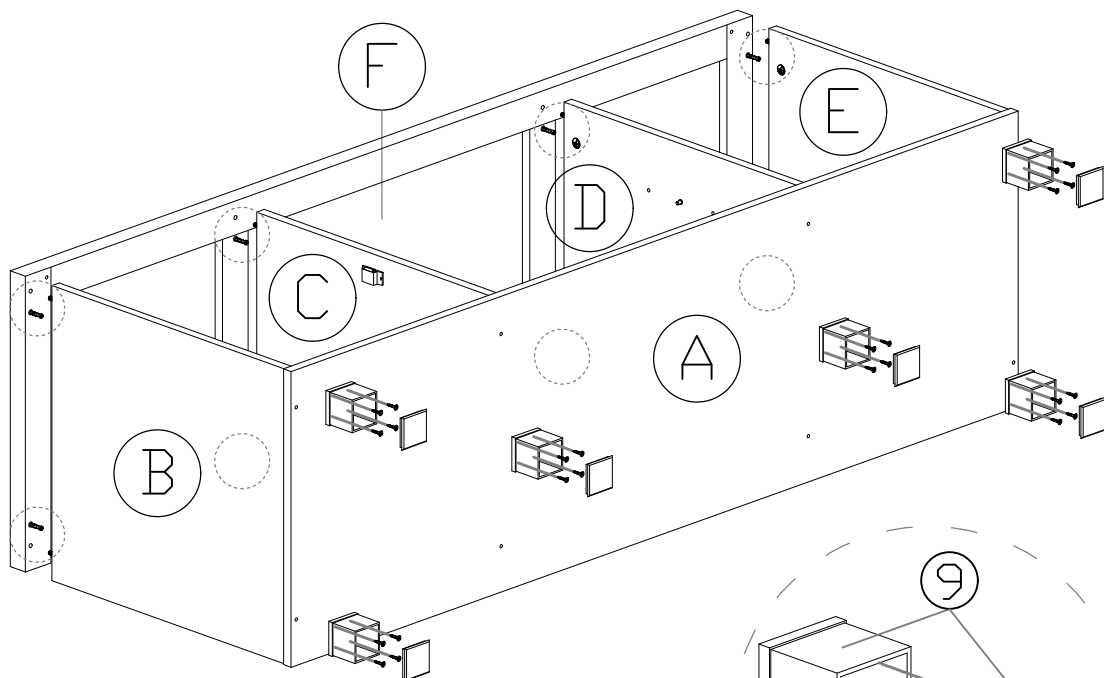
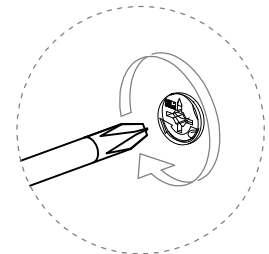
Step 1

Fix Panel **B,C,D** and **E** onto Panels **A** by pushing and slotting the dowels onto the non-thru holes at Panel **A**. Use allen key **11** to tighten 8 screws **3** from the thru-holes of panel **A**.



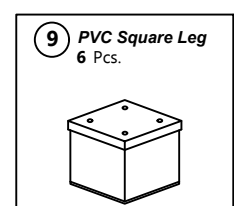
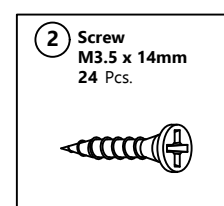
Step 2

Place and fix panel **F** onto panel **B**, panel **C**, panel **D** and panel **E**, and align properly by inserting the 8 (down) mini fix screws ④ onto the L-thru holes at top edge of panel **B**, **C**, **D** and **E**. At the same time, pushing and light tapping of panel **F** downward to have panel **B**, panel **C**, panel **D** and panel **E**'s upside dowel going onto panel **F**'s non-thru holes. Mini Fix Cap 8 Pcs.

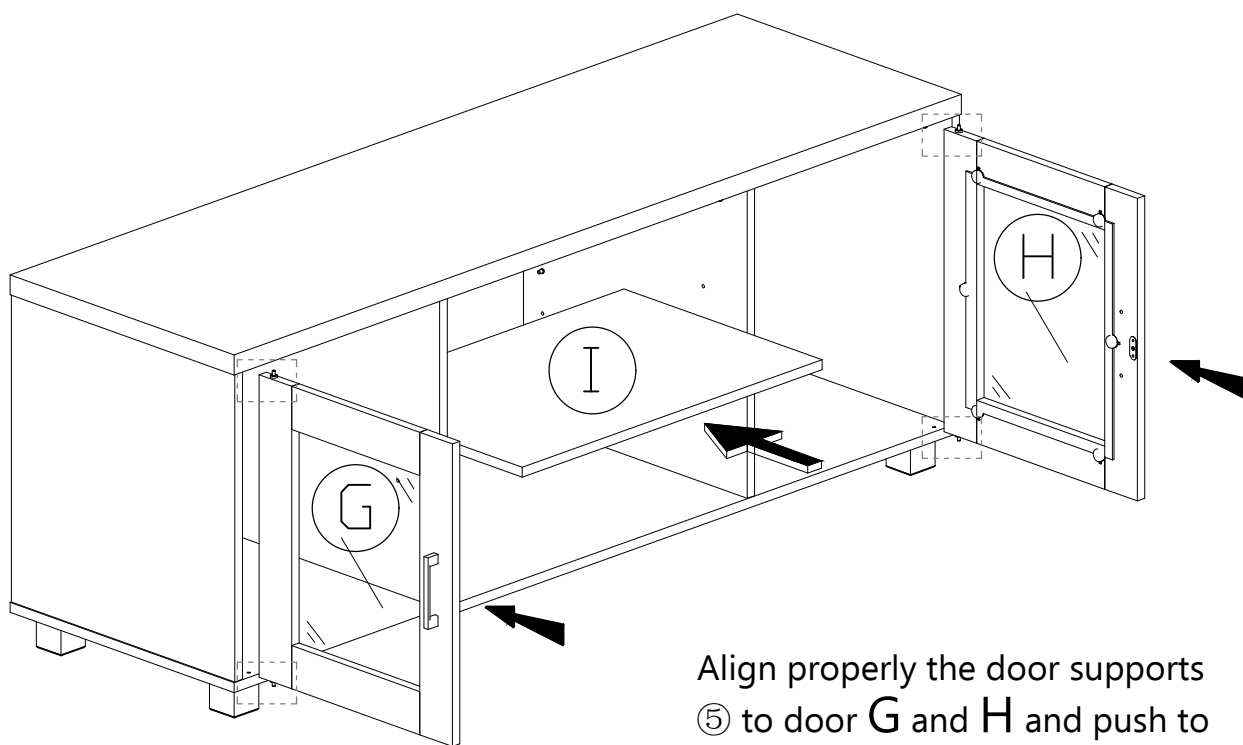
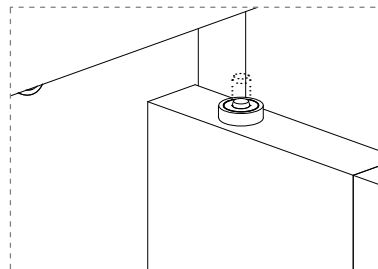


*Then, tighten mini fix ④ clockwise to lock the mini fix up, for tightening panel **F** up. Cover 8 mini fix caps provided by pushing the cover's stem onto the hole of mini fix nut on upper side of panel **B**, **C**, **D** and **E**.

Place PVC Square Leg ⑨ at the panel **A** as shown. Then tighten Support leg ⑩ with 4 screws ②.



Step 3

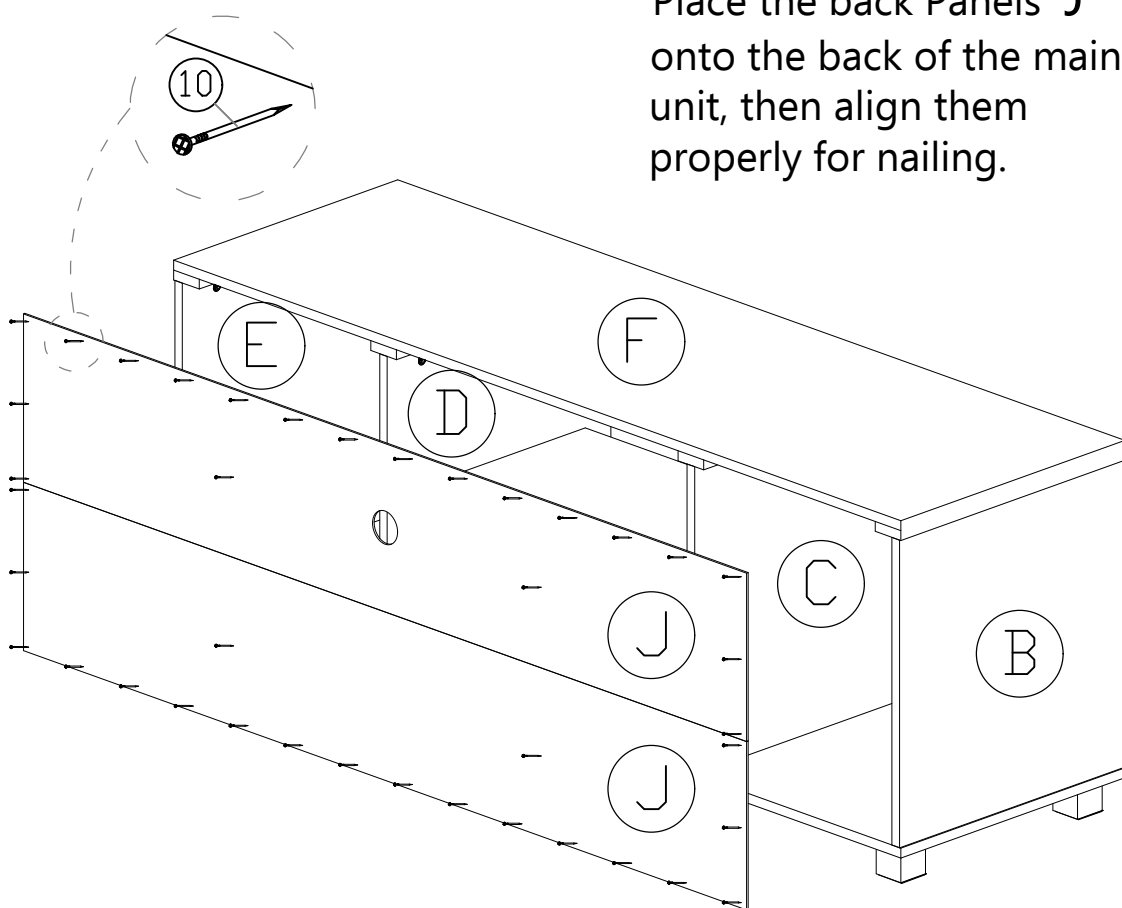


Align properly the door supports ⑤ to door **G** and **H** and push to slot onto the non-thru hole of top panel **F** and bottom panel **A**.

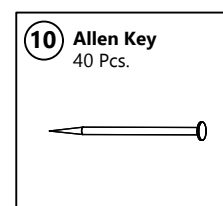
Then take the adjust panel **I** and place it inside the middle compartment by putting it on top of the 4 shelf supports.

Step 4

Place the back Panels J onto the back of the main unit, then align them properly for nailing.

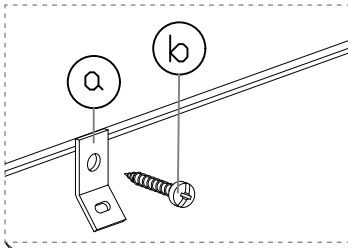


2. Use hammer to insert the nails at the center of the edges. Gap between nails should be about 100mm.



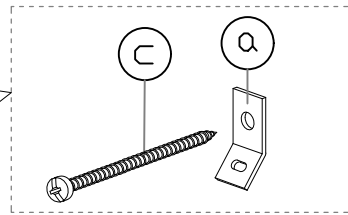
FITTING OF ANTI-TIP SAFETY STRAP

STEP 1:

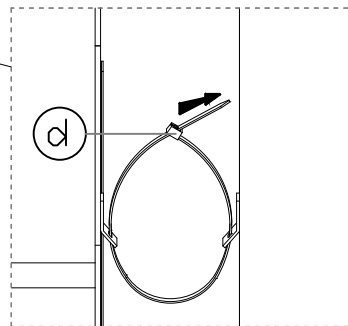


- Attach the mounting bracket (a) to the furniture in the solid part below the top panel a few inches away from the side of the unit.
- Screw (b) through the smallest hole of (a).

STEP 2:

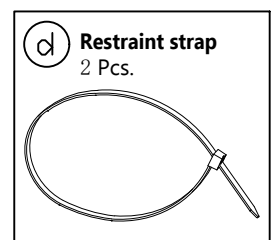
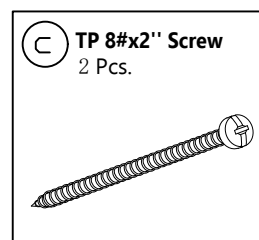
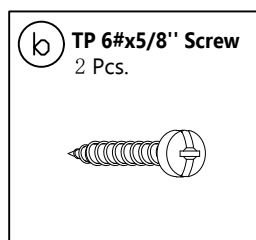
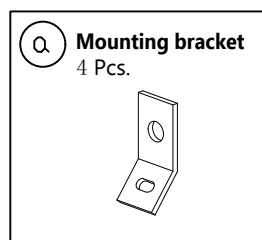


- Locate a stud in the wall behind the unit, does not have to be centered.
- Place the other mounting bracket (a) on the wall stud 2 inches below the mounting bracket secured to the back of your unit.
- Attach to the wall stud using (c) through the smaller hole of (a).



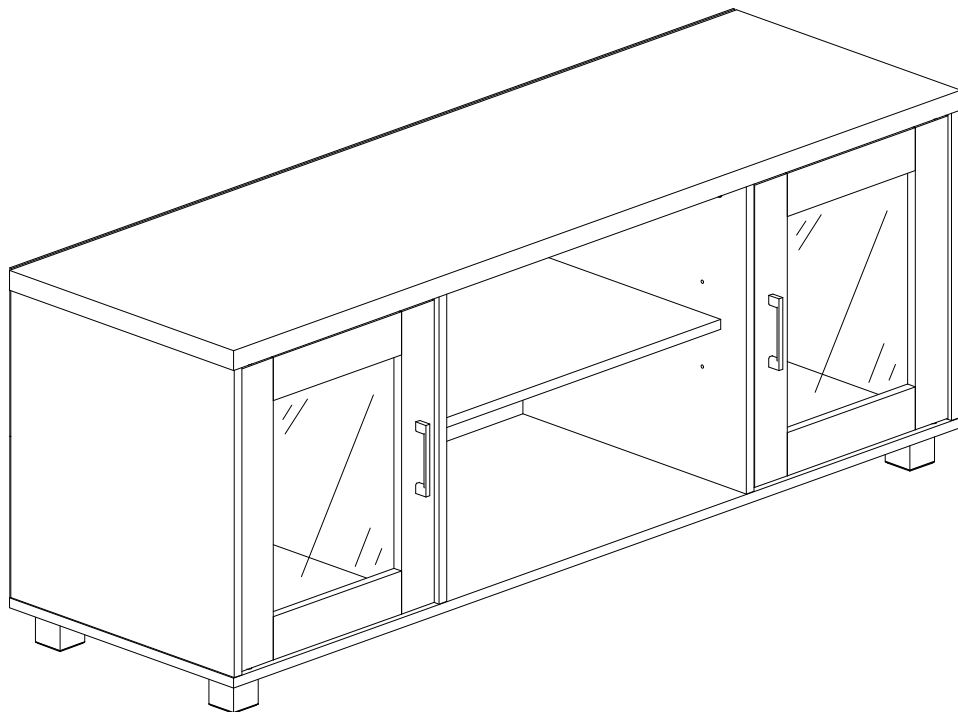
STEP 3:

- Repeat the same step a few inches away from the other side of the unit.
- Place the furniture into position so both mounting brackets are vertically in line.
- Lace the end of the restraint strap through the larger holes in each mounting bracket.
- Secure the straps and lock into place.



HODEDAH®

Job Complete



Enjoy & Thank you for purchasing from Hodedah!

