

Assembly Instructions

This instruction booklet contains important safety information, please read and keep for future reference.

ITEM# HITV104-Z

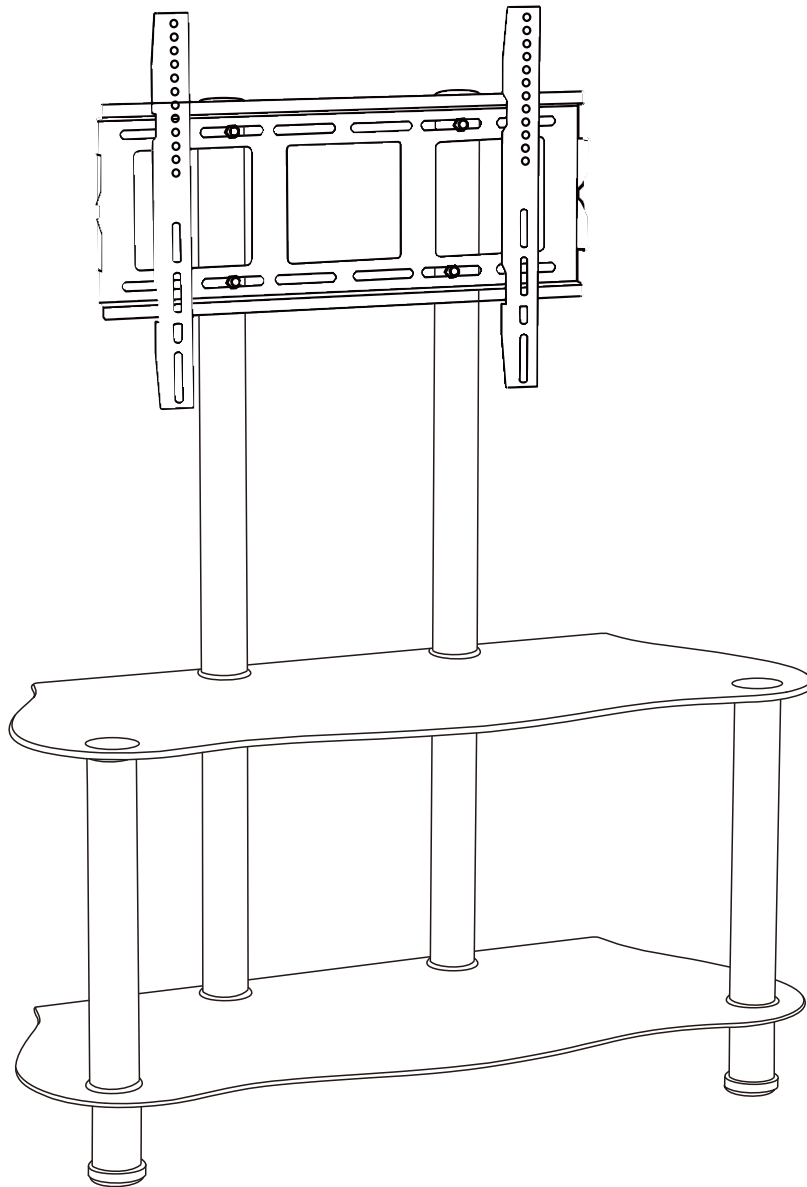
TV STAND WITH MOUNT

 2 person

 30 mins

 1 YR LTD

 1 Box



FRONT VIEW

Product Dimensions: H49.2"W35.4"D15.7"

HARDWARE USED TO ATTACH YOUR TV TO THIS STAND IS NOT INCLUDED
PLEASE CONTACT YOUR TV PROVIDER



Phone

Mon – Fri | 9:30 am to 5pm EST

1 - 855 – HODEDAH

1 – 855 – 463 -3324



Email

Send us an email

Support@Hodedah.com



Website

Visit our website to open a case

www.Hodedah.com

Questions, need parts, we are here to help!

FOR PROMPT, RELIABLE SERVICE PLEASE HAVE YOUR INSTRUCTION MANUAL READY



DO NOT RETURN PRODUCT TO THE STORE

If parts are missing or damaged please contact our customer service team and we will gladly ship your replacement parts **FREE** of charge within **ONE YEAR** of purchase!

WARRANTY

Hodedah warrants this product to be free from defects in materials and workmanship and agrees to remedy any such defect. This warranty covers one year from the date of original purchase. This is solely limited to replacement of defective parts and no assembly for labor is included. This warranty does not apply to any product that has been improperly assembled, subjected to misuse, abuse or which has been altered or repaired in any way. To obtain warranty service, original purchaser must present the following; original bill of sale, date of purchase, where the product was purchased and images if applicable. Components replaced warranted through the remainder of the original warranty only. The defective part will be replaced without charge, subject to the terms and conditions described above.

WARNING

- This product contains small parts, keep away from children.
- This product contains plastic bags, keep away from children.
- Serious or fatal crushing injuries can occur from furniture tip-over. To help prevent this, place heaviest items on the lower shelves and drawers. Do not set heavy objects on top shelves and drawers.
- Never allow children to climb or hang on drawers, shelves and doors.

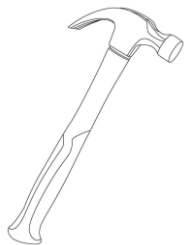
- Never open more than one drawer at a time.
- The use of tip-over restraints may reduce but not eliminate the risk of tip-over.

Let's get started...

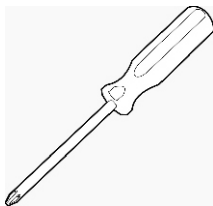
Helpful hints, read before beginning assembly

- Make sure you receive all boxes. If your item is packed in one box, box count will read 1 of 1, likewise if your item is packed in two boxes, box count will read 1 of 2 and second box will read 2 of 2.
- Read each step carefully. It is very important that each step is performed in the correct order. If these steps are not followed in sequence, assembly difficulties will occur.
- Work in a spacious level area, preferably carpet, near the place the unit will be used.
- **DO NO USE** power tools to assemble your furniture, it will strip and damage parts.
- Your package should include the following hardware and parts. Parts are labeled or stamped on the raw edge. Please inspect contents to ensure you have received all components. **If you are missing any hardware or parts please contact customer service right away before assembly.**

Assembly Tools Required (not supplied)



Hammer



Phillips Screwdriver



Tape Measure



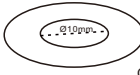


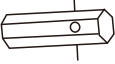
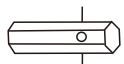


No Power Tools Needed

Product Care and Maintenance

- Wipe clean with dry soft cloth, never use chemicals or cleaning products they will damage the finish.
- Avoid placing your furniture in direct sunlight, as sunlight causes fading.
- Never push, drag or pull your furniture, to move to a new location carefully with two or more people carry the unit to its new location.
- Avoid extreme changes in temperature by arranging furniture away from radiators, heat and air vents and air conditioning units.



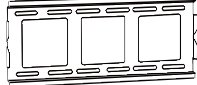
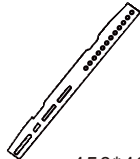
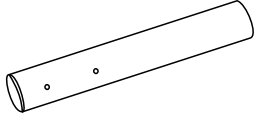
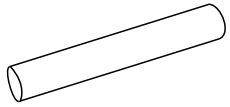

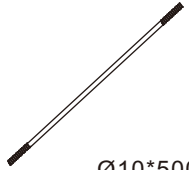

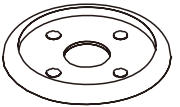



Hardware List

A Flat Nut  Ø10mm QTY 2	B Flat Nut  Ø8mm QTY 6	C Steel Washer  Ø10mm QTY 2	D Steel Washer  Ø8mm QTY 10
E Screw  Ø8*60mm QTY 4	F Wrench  Ø18*47mm QTY 1	G Wrench  Ø15*50mm QTY 1	

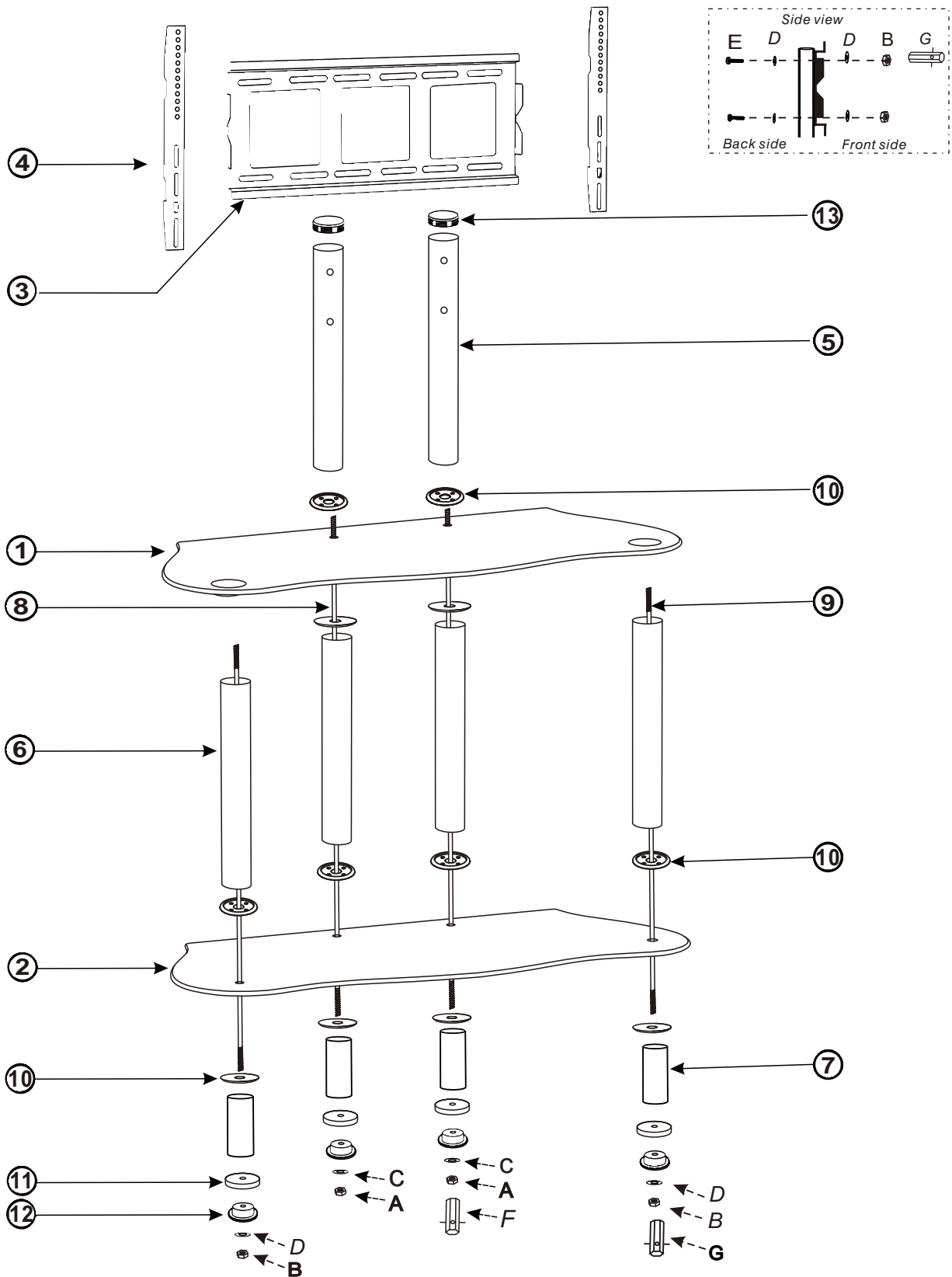
Important

1. Before you throw the package, please use the Check Box to identify the parts and hardware to ensure that you have everything you need.
2. Check and measure the bolts before applying them to parts.
3. Do not completely tighten all hardware until the entire assembly is complete, unless indicated otherwise.

Parts List

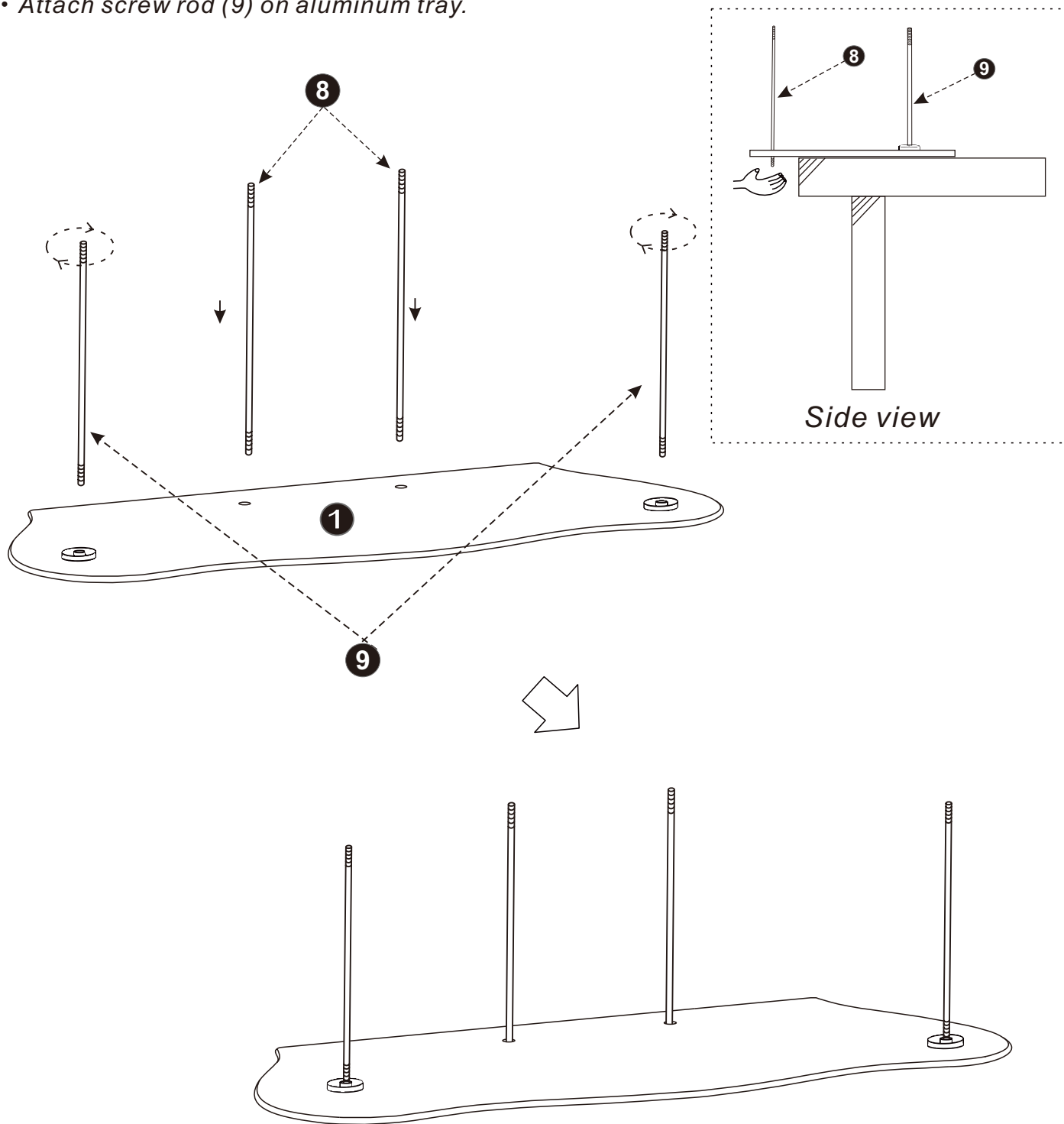
1 Upper Glass 1 un.  900*400mm	2 Layer Glass 1 un.  900*400mm	3 Bracket 1 un.  585*245mm	4 Connector rack 2 un.  450*40*20mm	5 Tube Stand 2 un.  Ø50*640mm
6 Aluminum Alloy Tube 4 un.  Ø50*370mm	7 Aluminum Alloy Tube 4 un.  Ø50*80mm	8 Table Stand Screw Rod 2 un.  Ø10*500mm	9 Front Legs Screw Rod 2 un.  Ø8*470mm	10 Plastic Washer 12 un.  Ø60mm
11 Rubber Mat 4 un.  Ø58*18mm	12 Steel Footing 4 un.  Ø60*12mm	13 Plastic Cap 2 un.  Ø58*18mm		

The Breakdown...



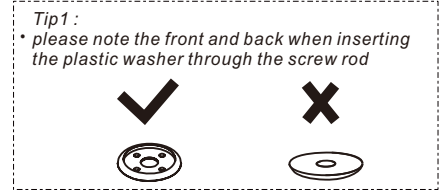
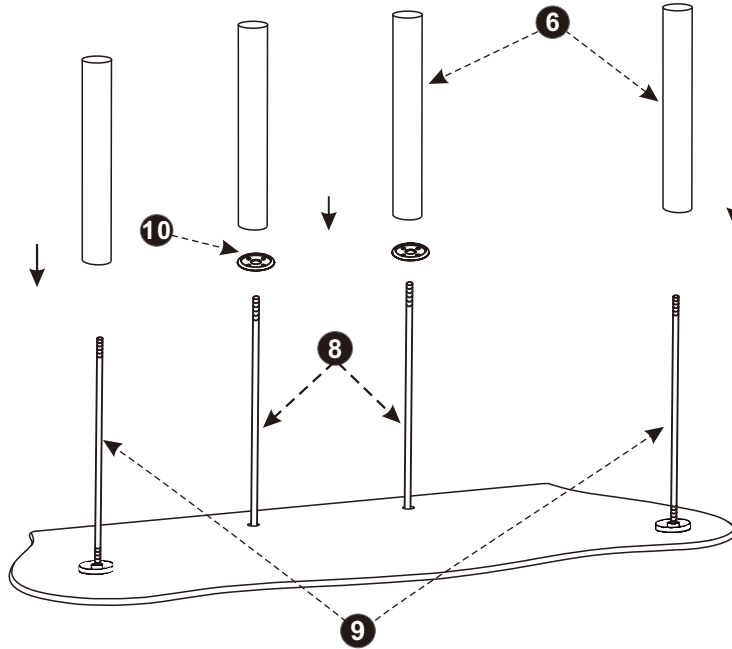
Step 1

- Put upper glass(1) on a table, aluminum tray side upwards.
- Move the glass a bit beyond the work table side to thread long screw rod (8) into the hole.
- Hold the bottom point of the screw rod (8) by one person.
- Attach screw rod (9) on aluminum tray.



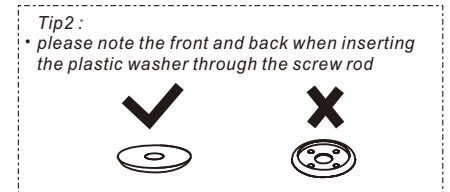
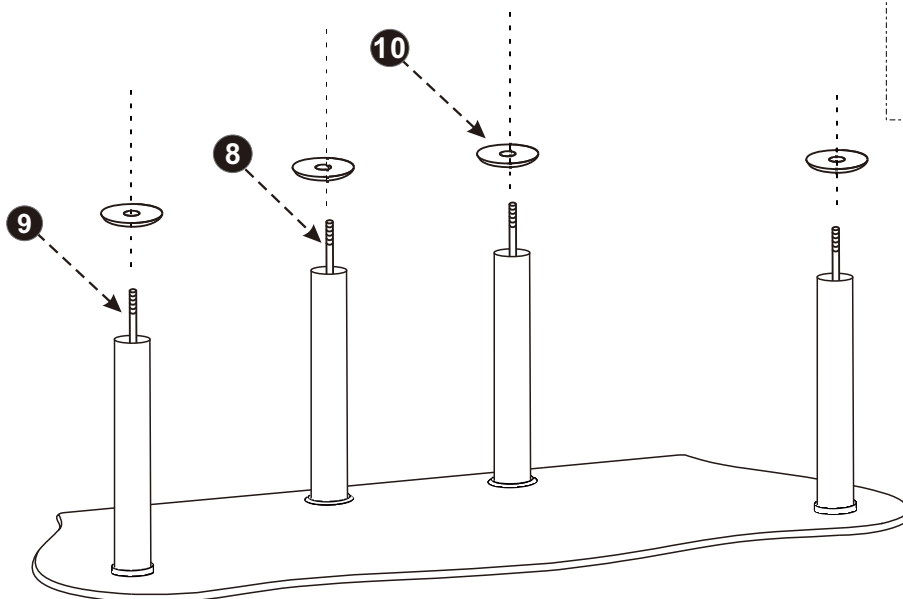
Step 2

- Insert 4 X plastic washer (10) and aluminum alloy tube (6) through screw rod (8).
- Insert aluminum alloy tube (6) and 2 X plastic washer (10) through screw rod (9).



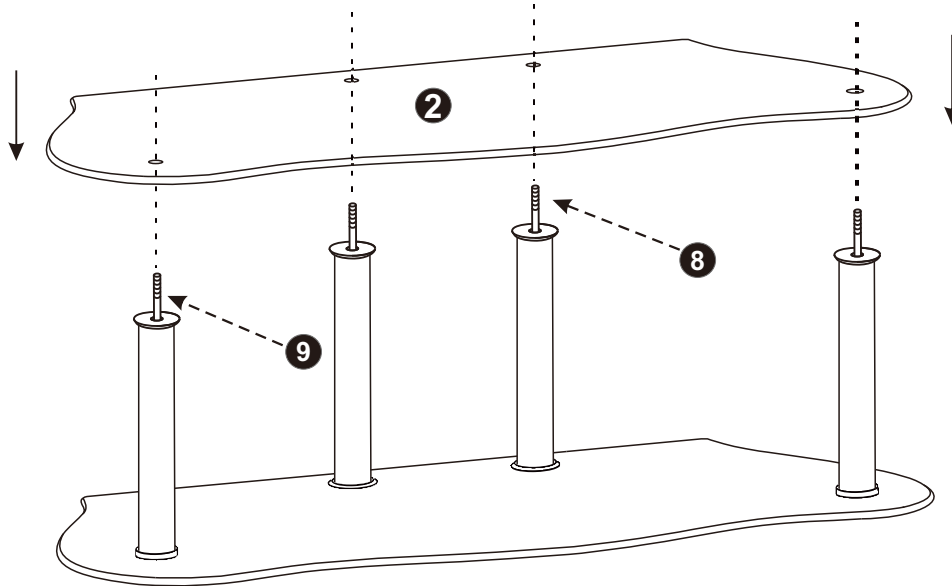
Step 3

- Put one layer glass (2) through screw rod (8) and (9), painting side upwards.



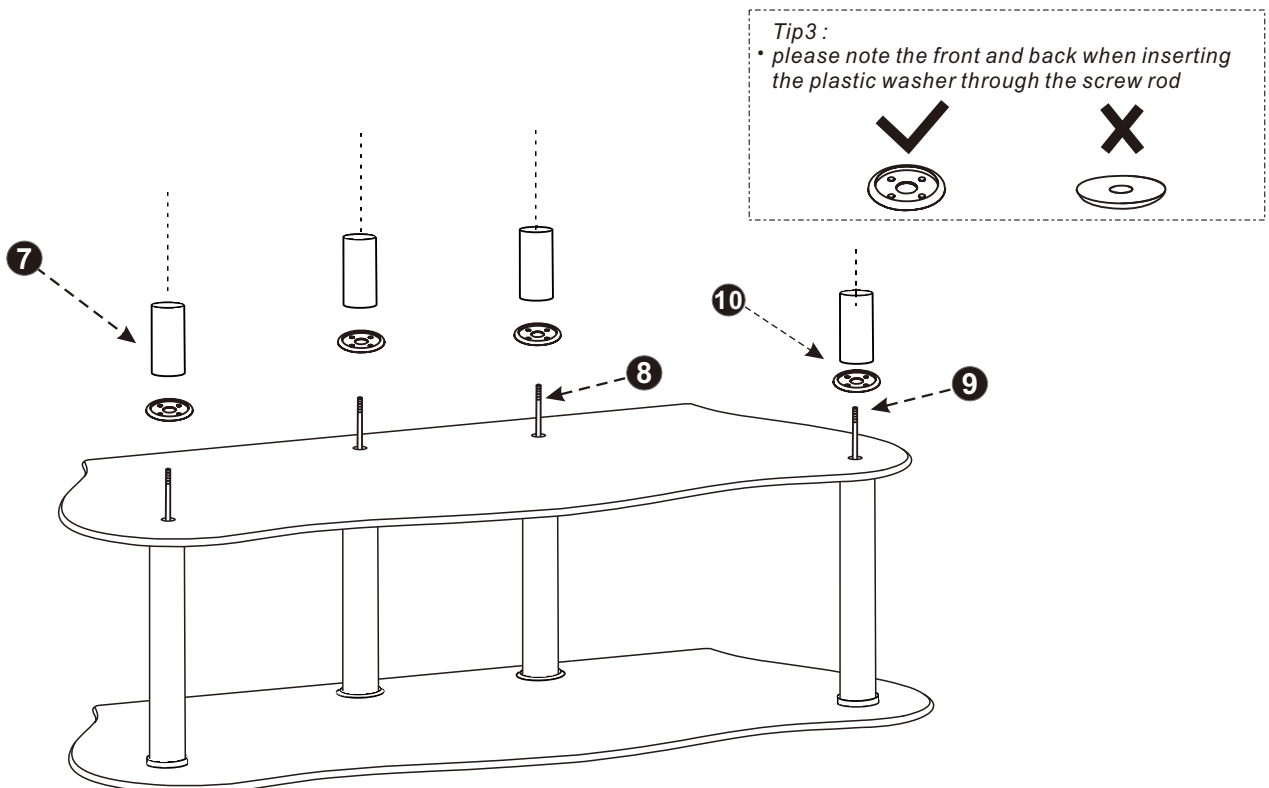
Step 4

• Insert bottom glass (2) through screw rod (8) and (9), painting side upwards.



Step 5

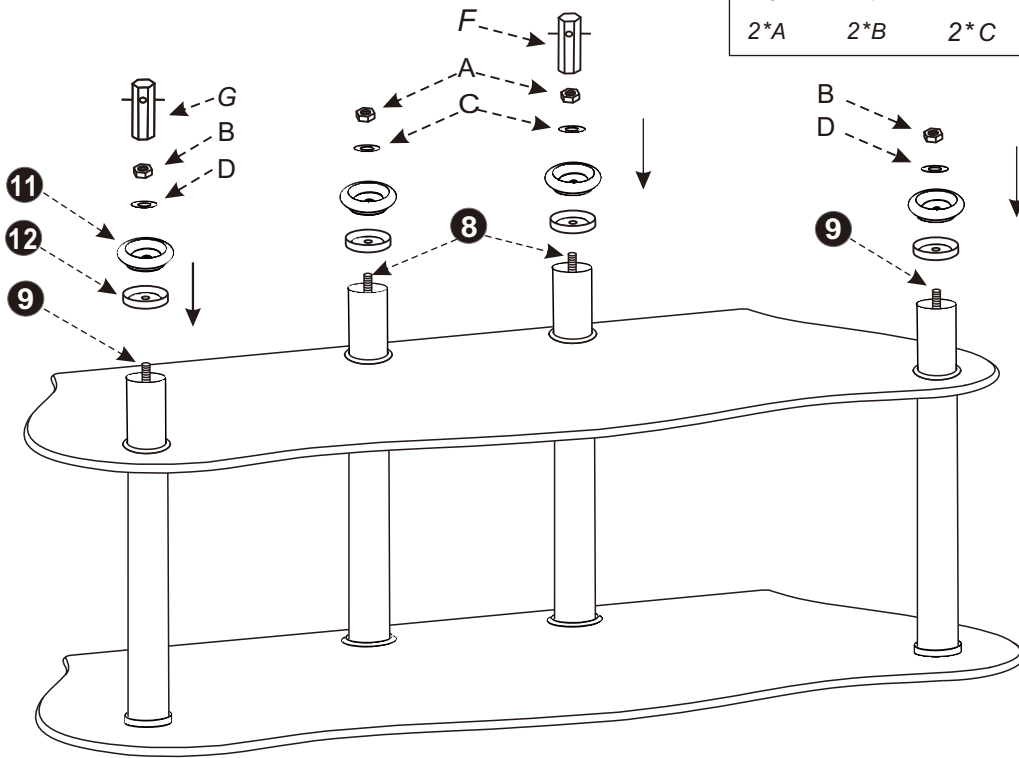
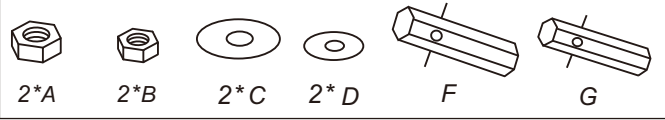
• Insert 4 X plastic washer (10) and aluminum alloy tube (7) through screw rod in sequence.



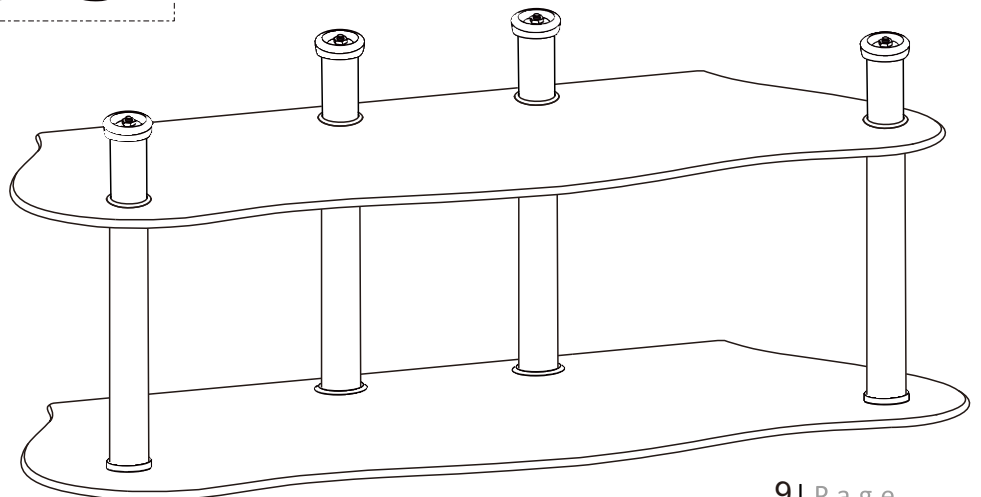
Step 6

- Insert steel footing (12) and rubber mat (11) through screw rod (8) and (9).
- Fix steel washer (D) and nut (B) on screw rod (9),tighten with wrench (G).
- Fix steel washer (C) and nut (A) on screw rod(8).

HARDWARE REQUIRED

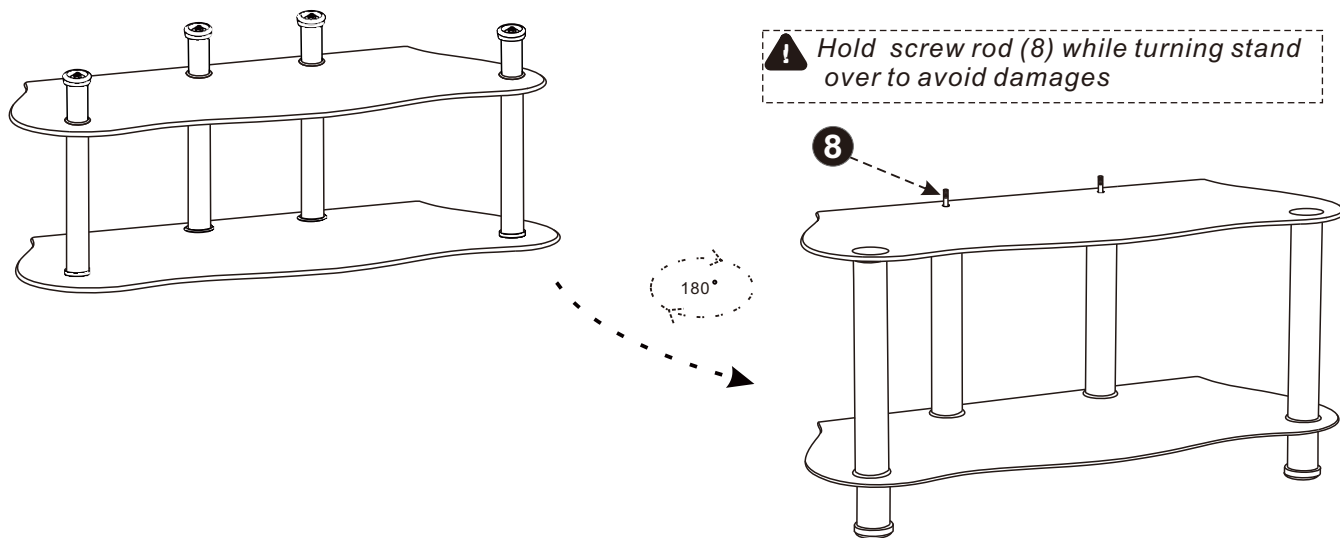


Tip4:
please note the front and back when inserting the steel footing and rubber mat



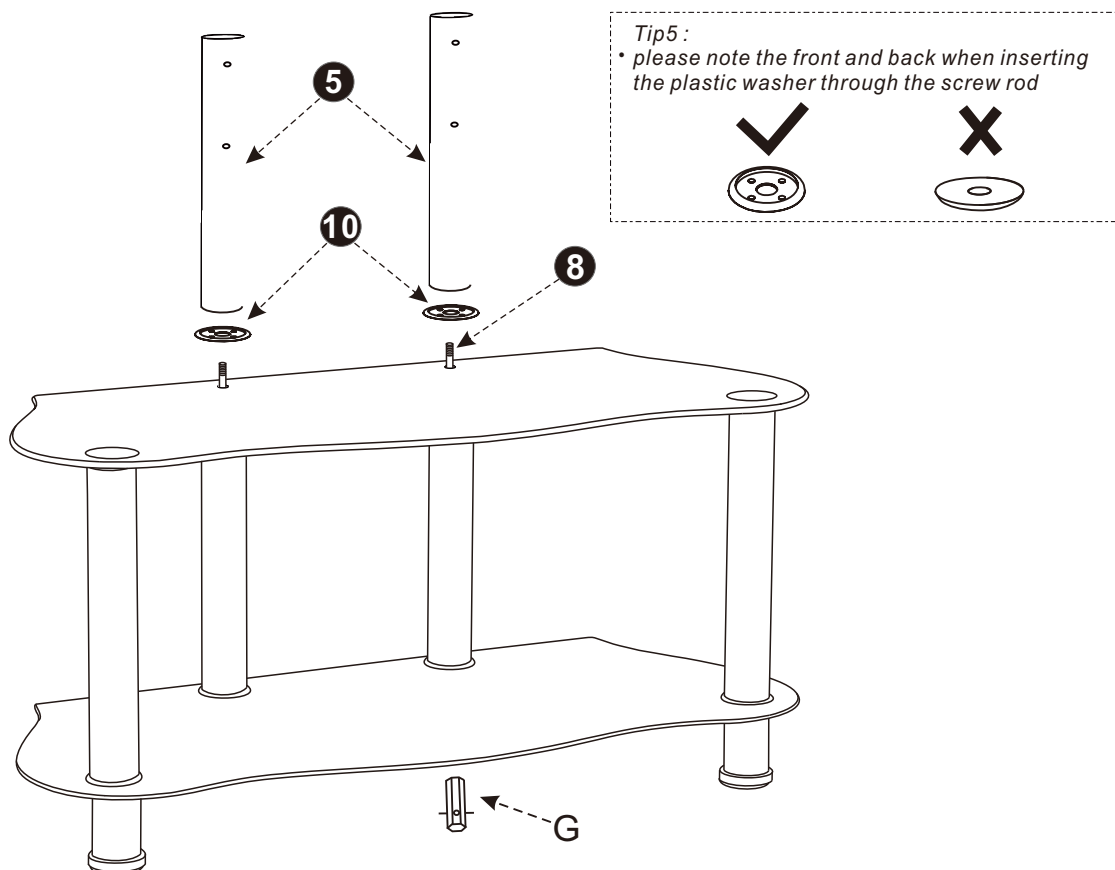
Step 7

• Turn over the stand and place it on the floor.



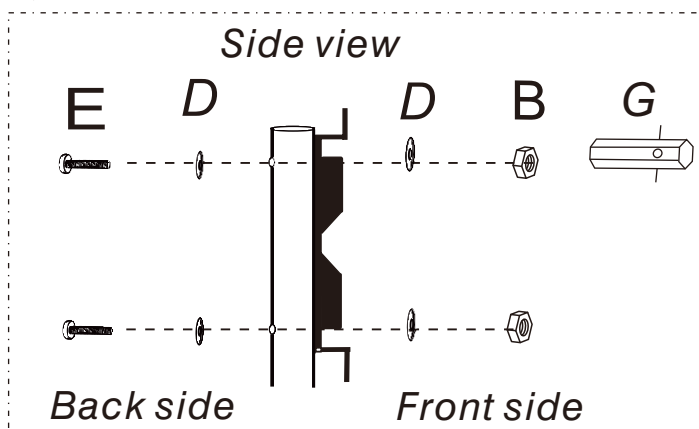
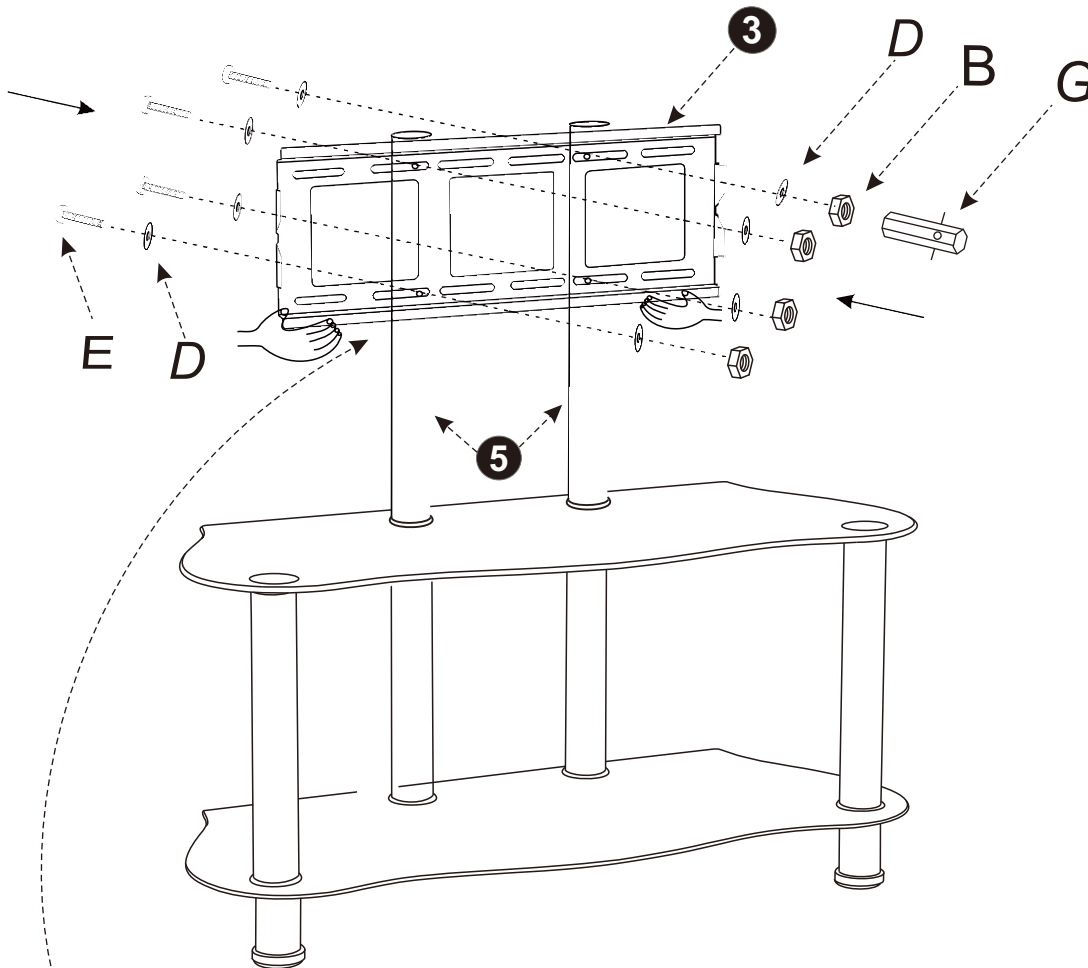
Step 8

- Insert 2X plastic washer (10) through screw rod (8).
- Screw tube stand (5) on screw rod (8), tighten nut (A) with wrench (G) from bottom of the back stand footing.



Step 9

- Fix bracket (3) aim at the four holes on tube stand (5).
- Have someone hold bracket while assembling it.
- Steel washer (D) and screw bolt (E) on back side, another steel washer (D) and nut (B) on front side, tighten with wrench (G). (follow the side view)

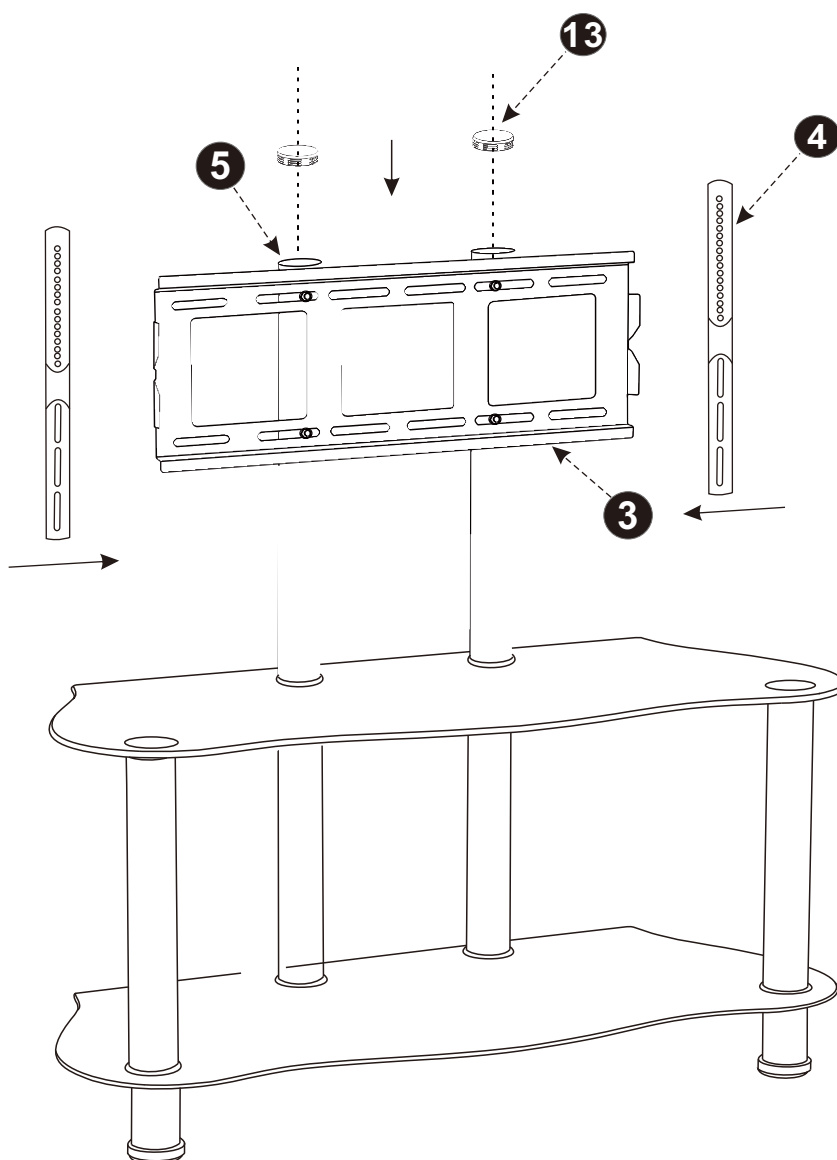
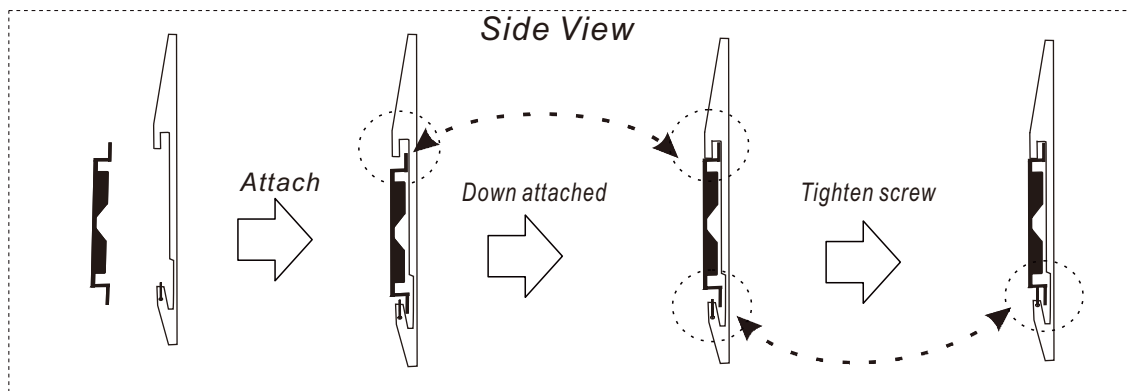


HARDWARE REQUIRED



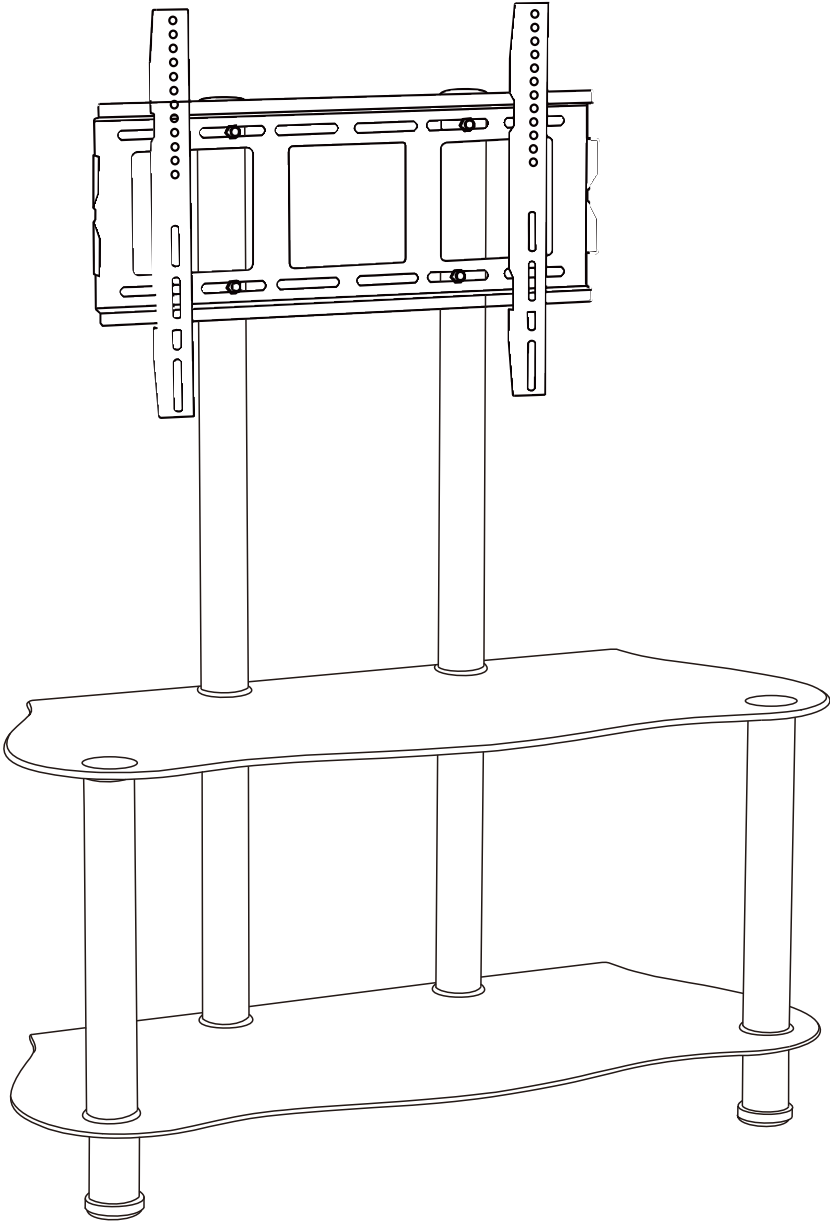
Step 10

- Cover the plastic cap (13) on top of tube stand (5).
- Attach connector rack (4) on bracket (3) or attach after assembled connector rack with your TV.



HODEDAH®

Job Complete...



Enjoy & Thank you for purchasing from Hodedah!

