



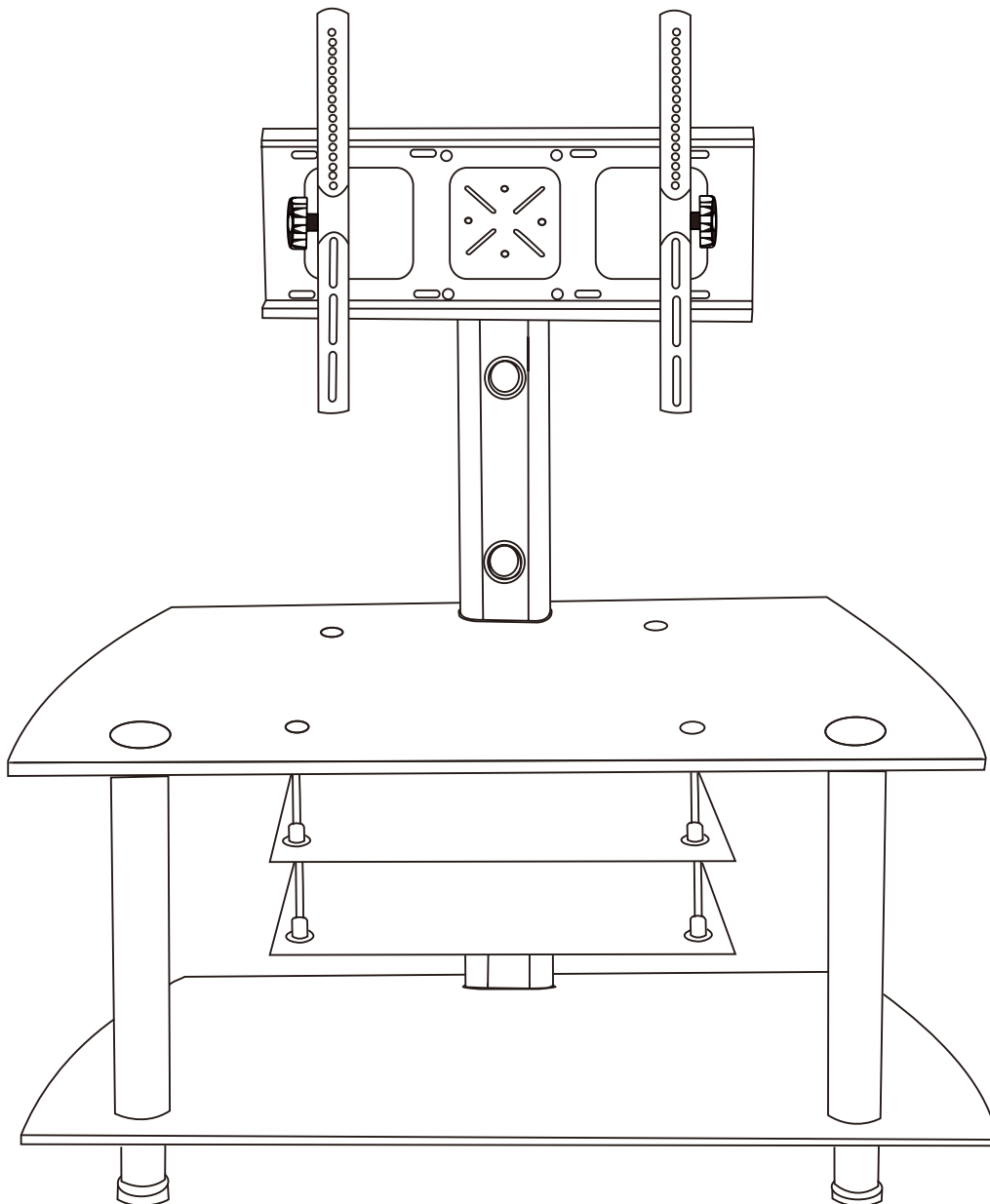
HODEDAH

www.hodedah.com

support@hodedah.com

ASSEMBLY INSTRUCTIONS

LCD TV STAND



HITV101

H51.2"W47.2"D15.7"



HODEDAH

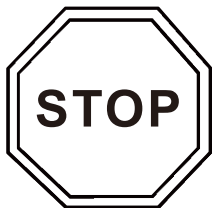
www.hodedah.com

support@hodedah.com



IMPORTANT NOTE:

- *This product contains small components, please ensure that they are kept away from small children.*
- *This instruction booklet contains **IMPORTANT** safety information. Please read and keep for future reference.*
- *Note: you will find extra screws and bolts in hardware pack in case of any missing pieces.*
- *If the glass is chipped or broken, do not attempt to assemble the item.*



DO NOT RETURN PRODUCT TO THE STORE

*If a part is missing or damaged, email our customer service. We will gladly ship your replacement parts **FREE** of charge.*

Need Parts or Assistance?

Email us at

support@hodedah.com

For prompt, reliable service, please have your assembly manual ready.



HODEDAH

www.hodedah.com

support@hodedah.com

Thank you for purchasing from Hodedah

**To learn more about hodedah and our products visit
www.hodedah.com**

READ BEFORE BEGINING ASSEMBLY

- Read each step carefully. It is very important that each step of instruction is performed in the correct order. If these steps are not followed in sequence, assembly difficulties will occur.
- Make sure all parts are included. Most parts are labeled or stamped on the raw edge.
- Work in spaclous area, preferably on a carpet, near the place the unit will be used.
- Do not use power tools assemble your furniture. Power tools may strip or damage the parts.

HELPFUL HINTS

- Call us if you need assistance.
- Move your new furniture carefully, with two people lift and carry the nuit to it's new location.
- Never push, drag or pull your furniture(especially on carpet).

Warranty Information

Hodedah warrants this product to be free from defects in material and workmanship agrees to remedy any such defect. This warranty covers one year from the date of original purchase. This is solely limited to be repair or replacement of defective parts and no assembly labor is included.

This warranty does not apply to any products which has been improperly assembled, subjected to misuse or abuse or which has been altered or repaired in any way.

To obtain warranty service, purchaser must present original bill of sale. Components repaired or replaced warranted through the remainder of the original warranty period only. The defective components will be repaired or replaced without charge, subject to the terms and conditions described above.

**For help with assembly, Identifying parts, product information
or to order parts, please contact us:**

Call us at:
718-456-0505
Monday-Friday
9:00 am-5:00 pm

Visit our website:
www.hodedah.com

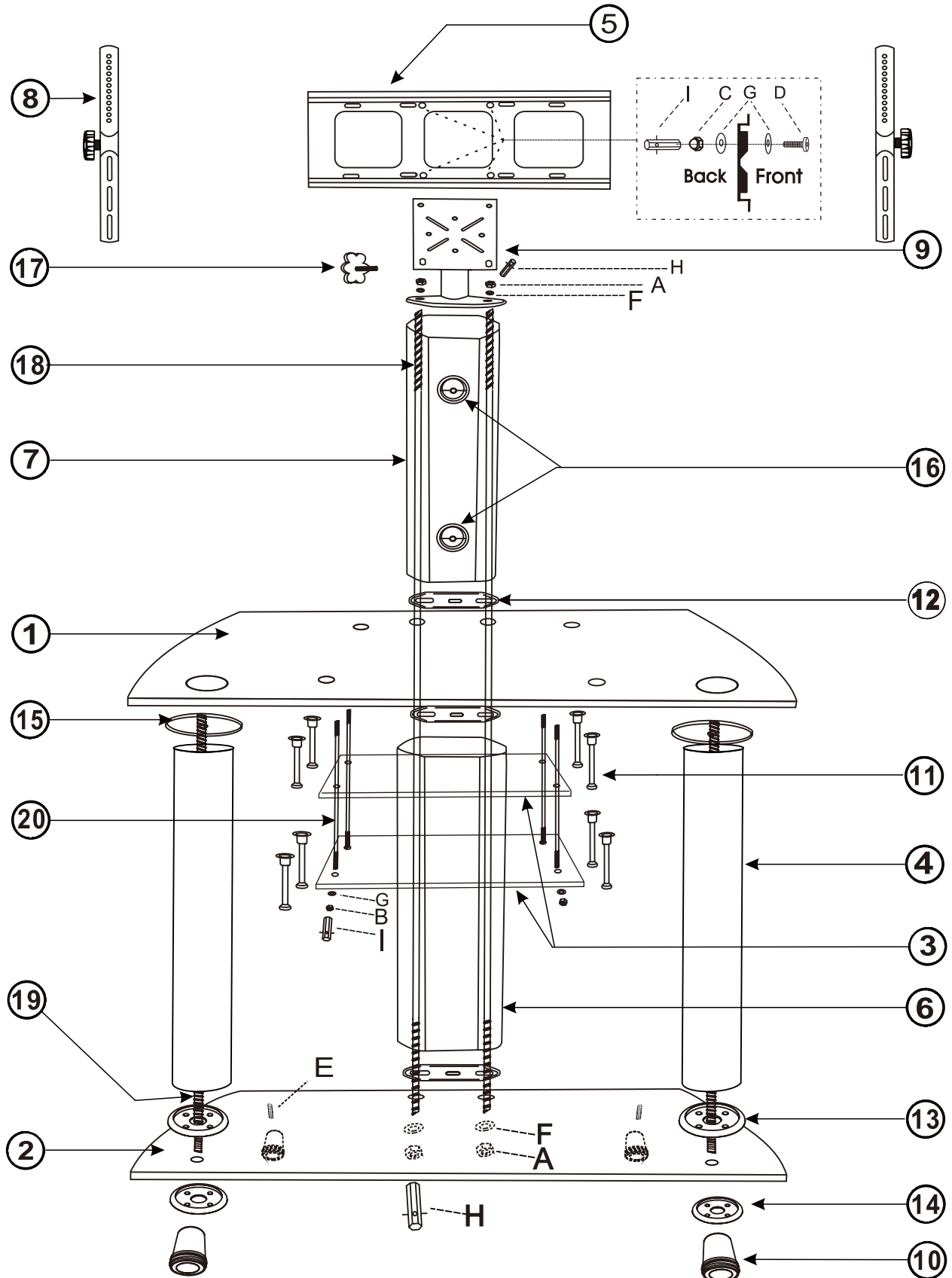


HODEDAH

www.hodedah.com

support@hodedah.com

Breakdown Structure





HODEDAH

www.hodedah.com

support@hodedah.com

Parts

1 Upper Glass 1 un. 1200*400mm 	2 Bottom Glass 1 un. 1200*400mm 	3 Layer Glass 2 un. 600*300mm 	4 Front Stainless Tube 2 un. Ø75*450mm 	5 Bracket 1 un. 660*280mm
6 Back Stand 1 un. 450*150*50mm 	7 Cable Board 1 un. 400*150*50mm 	8 Tilting Connector 2 un. 40*455mm 	9 Swivel Mount 1 un. 250*180mm 	10 Adjustable Footing 4 un. Ø50*75~90mm
11 Plastic Casing 8 un. Ø15*135mm 	12 Rubber Mat 3 un. 150*50mm 	13 Plastic Washer 2 un. Ø85mm 	14 Plastic Washer 2 un. Ø60mm 	15 Steel Washer 2 un. Ø80mm
16 Plastic Ring 4 un. Ø60*20mm 	17 Knob 1 un. 	18 Screw Rod 2 un. Ø10*910mm 	19 Screw Rod 2 un. Ø8*480mm 	20 Screw Rod 4 un. Ø8*300mm

Hardware

A Flat Nut 4 un. Ø10mm 	B Flat Nut 4 un. Ø8mm 	C Ball head Nut 4 un. Ø8mm 	D Bolt 4 un. Ø8*12mm 	E Screw Bolt 2 un. Ø8*20mm
F Steel Washer 4 un. Ø10mm 	G Steel Washer 12 un. Ø8mm 	H Wrench 1 un. Ø18*47mm 	I Wrench 1 un. Ø15*50mm 	



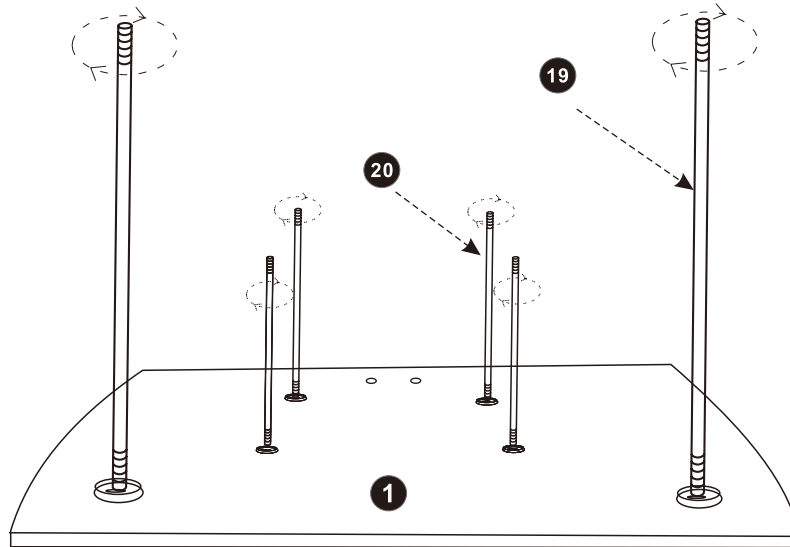
HODEDAH

www.hodedah.com

support@hodedah.com

Step 1

- Put upper glass(1) on a table, aluminum tray side upwards.
- Attach screw rod (19) on the two big tray, screw rod(20) on the small trays.

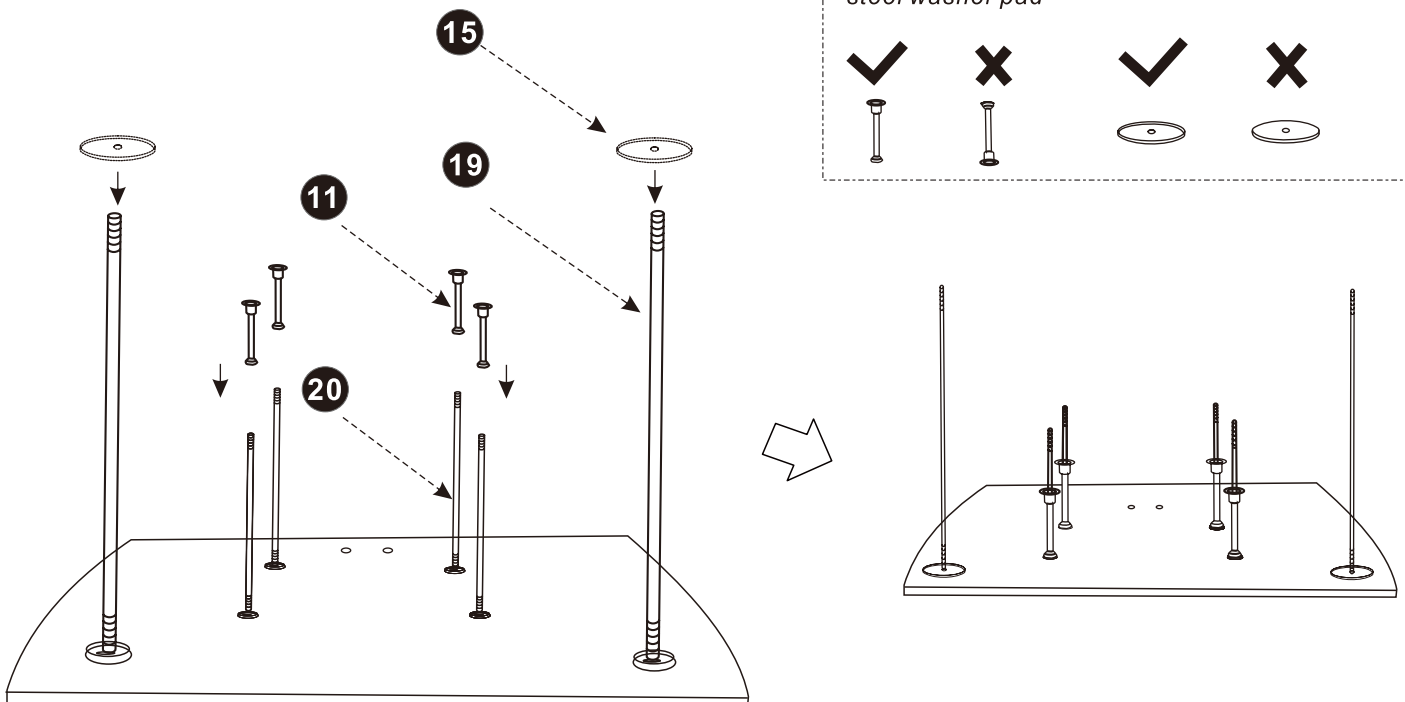


Step 2

- Insert steel washer pad(15) through screw rod (19).
- Insert plastic casing (11) through screw rod(20).

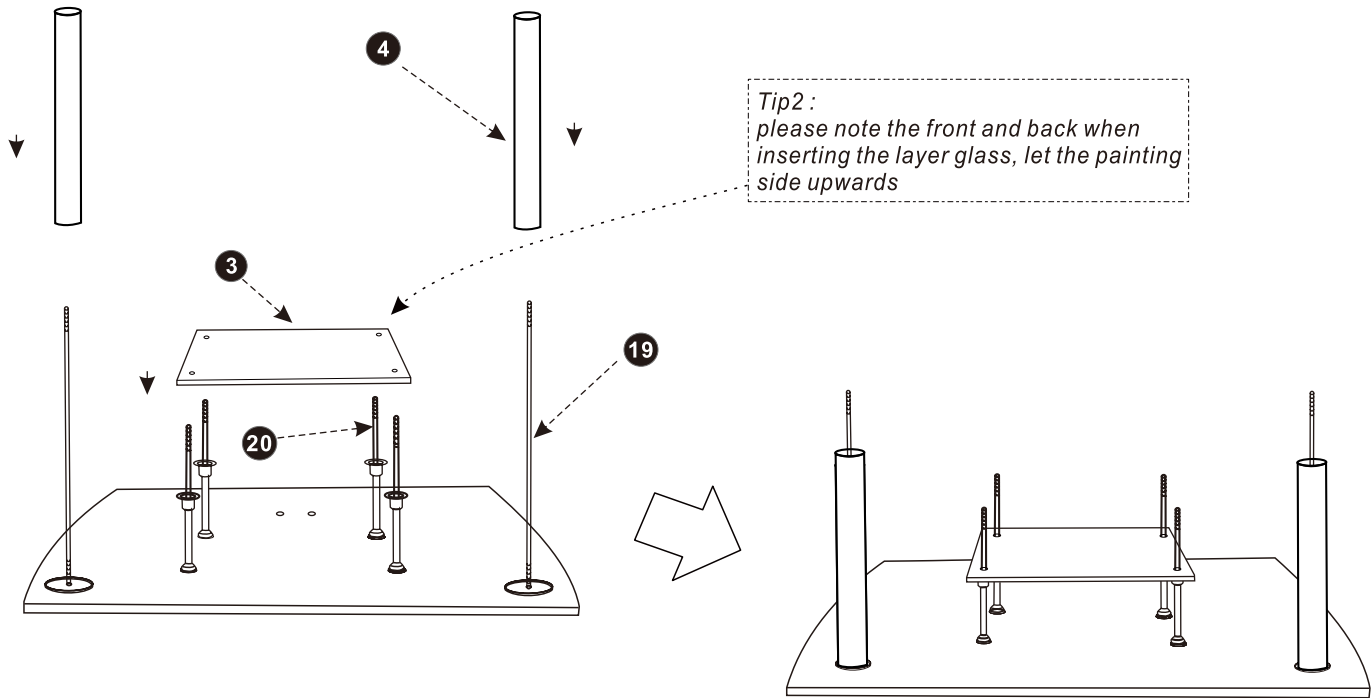
Tip1 :

- please note the correct direction when inserting the plastic casing
- please note the front and back when inserting the steel washer pad



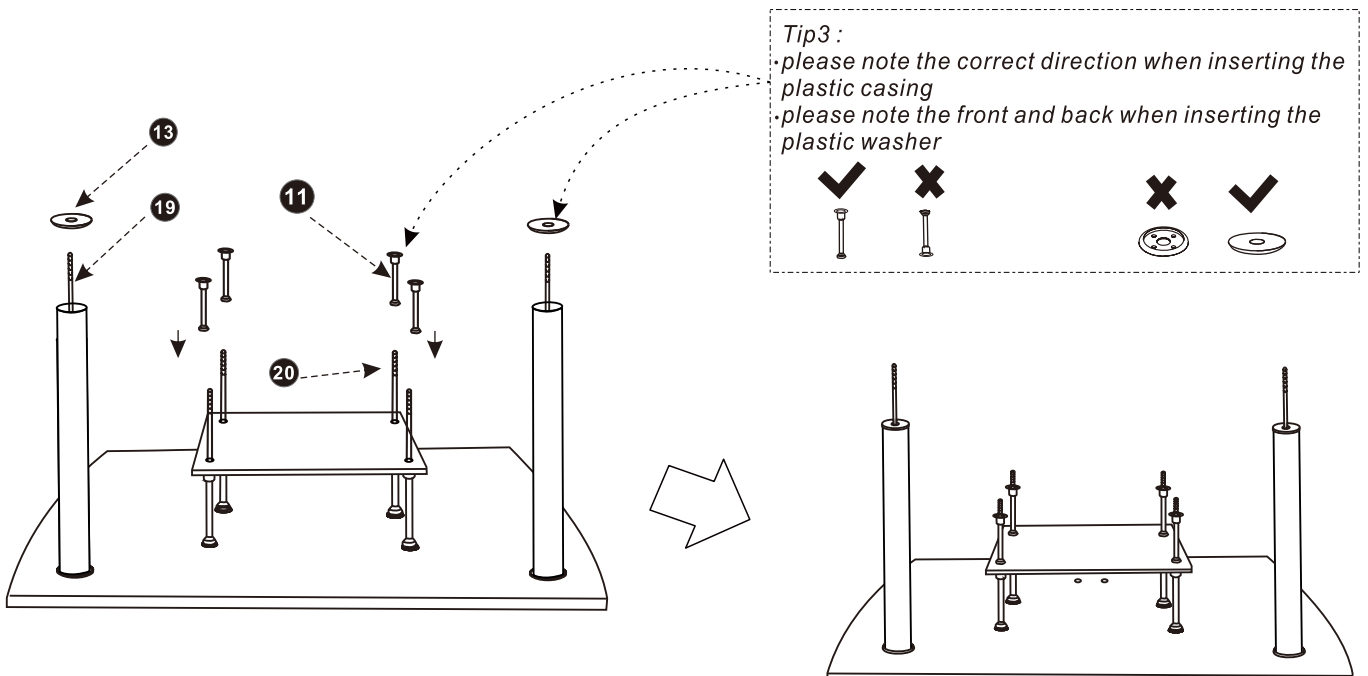
Step 3

- Insert front stainless tube (4) through screw rod (19).
- Put one layer glass (3) through screw rod (20).



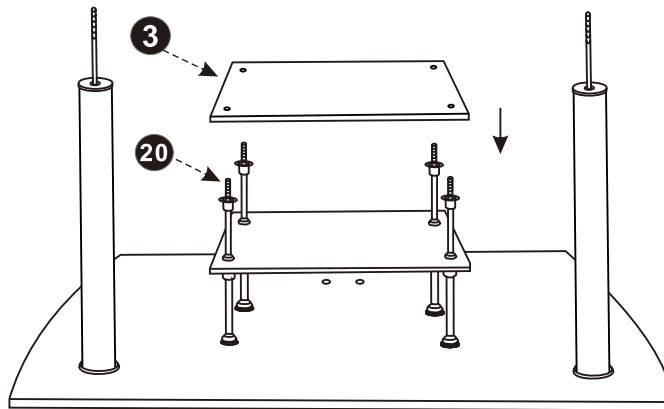
Step 4

- Insert plastic washer (13) through screw rod (19).
- insert plastic casing (11) through screw rod (20). (same as step 2)



Step 5

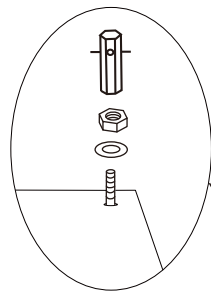
- Insert layer glass(3) through screw rod (20).(same as step 3)



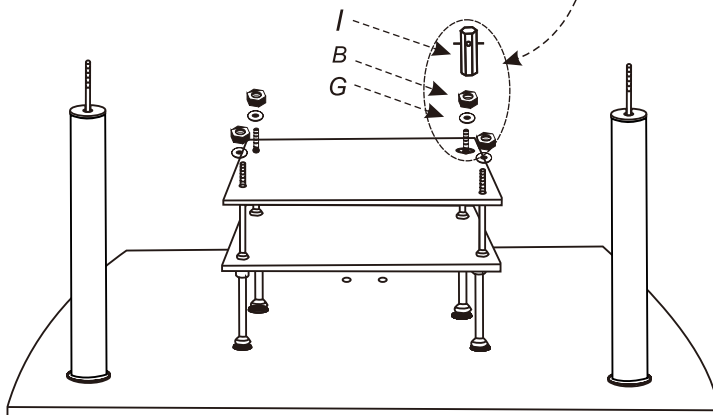
Tip4 :
Please note the front and back when inserting the layer glass, let the painting side upwards

Step 6

- Fix screw rod(20) with steel washer(G) and nut (B),tighten with wrench(I).



Tip5 :
Tighten the screw nut until both middle glasses are sturdy;
Do not tighten too much to avoid damages



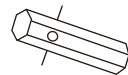
HARDWARE REQUIRED



4*B



4*G



I



HODEDAH

www.hodedah.com

support@hodedah.com

Step 7

- Move the glass a bit beyond the work table side to cross the long screw rod (18).
- Have someone hold bottom point of the screw rod (18).
- Insert the first rubber mat (12) through screw rod (18).
- Cover back stand (6) through screw rod (18).
- Insert second rubber mat (12) through screw rod (18).
- Put bottom glass (2) through screw rod (18) and (19).
- Fix steel washer (F) and nut (A) to screw rod (18).

Tip 5 :

the front and back of rubber mat (12)

FIRST MAT SIDE

SECOND MAT SIDE



(SECOND MAT)

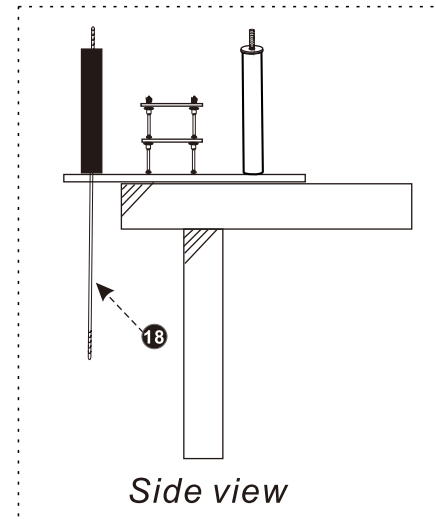
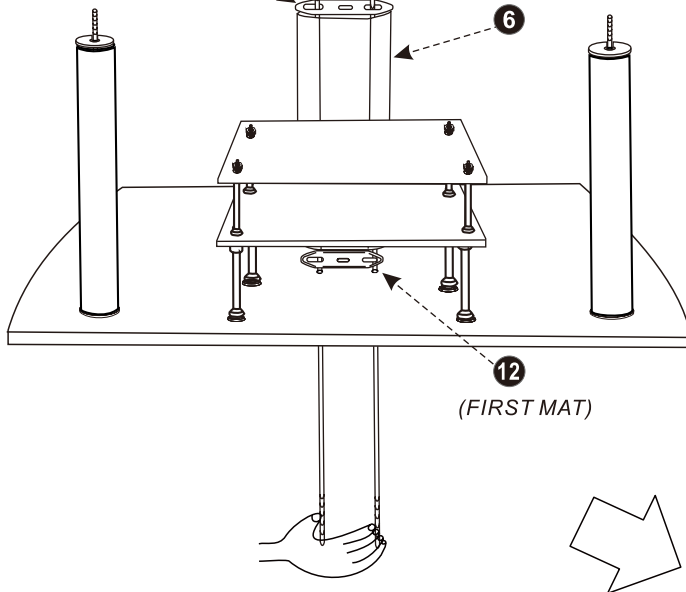
12

18

6

12

(FIRST MAT)

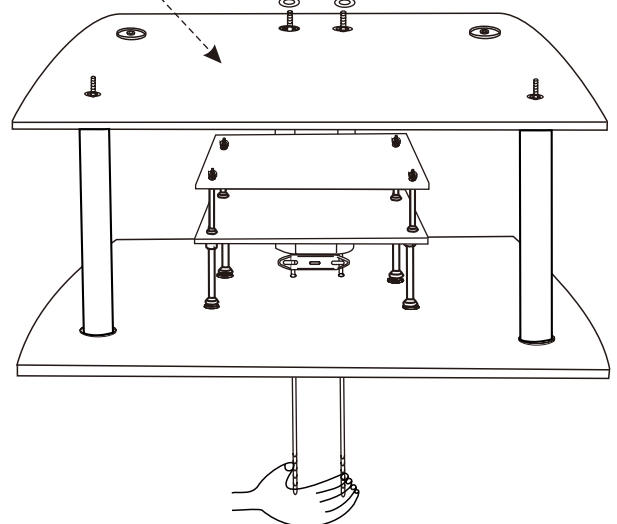


Side view

2

A

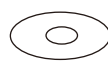
F



HARDWARE REQUIRED



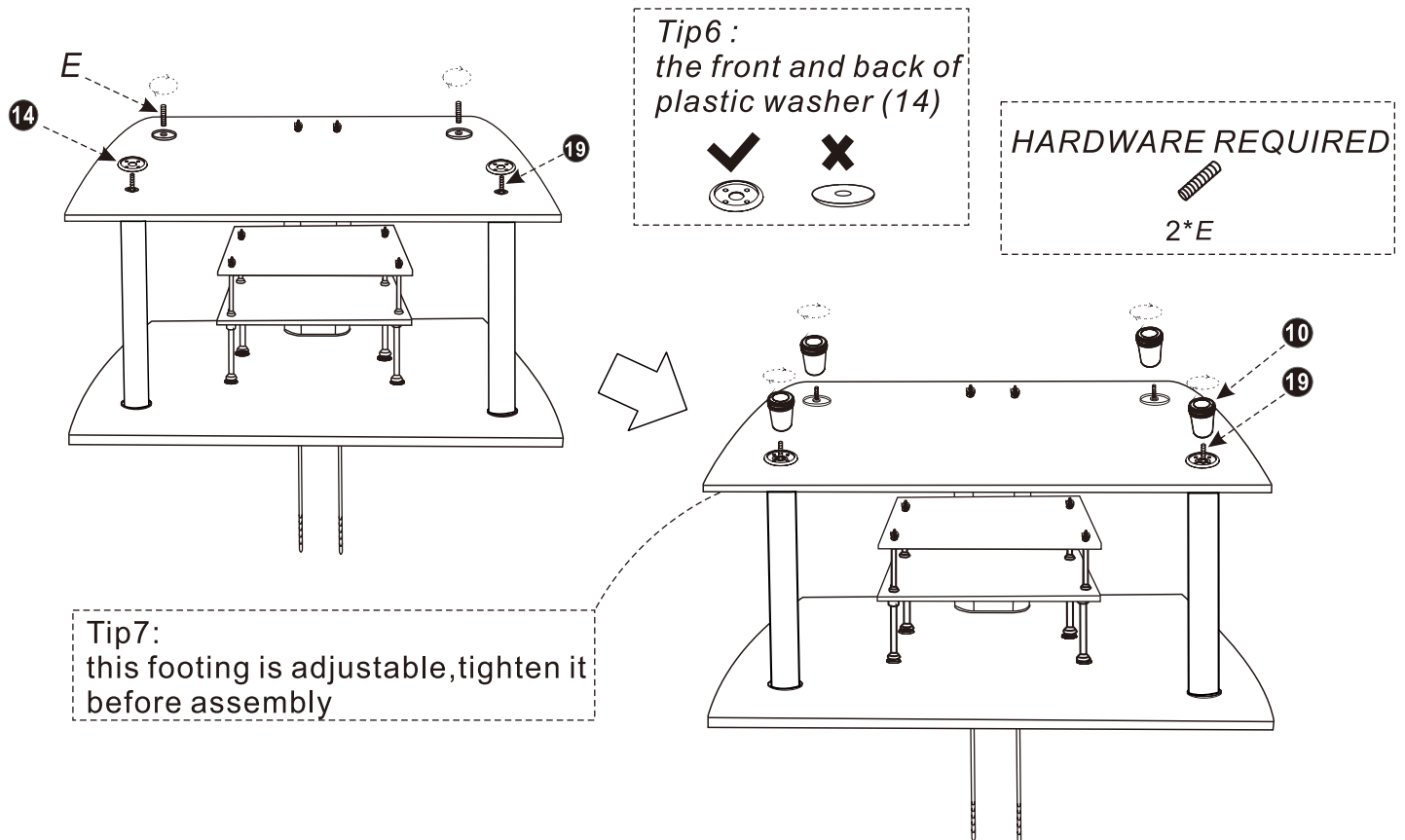
2*A



2*F

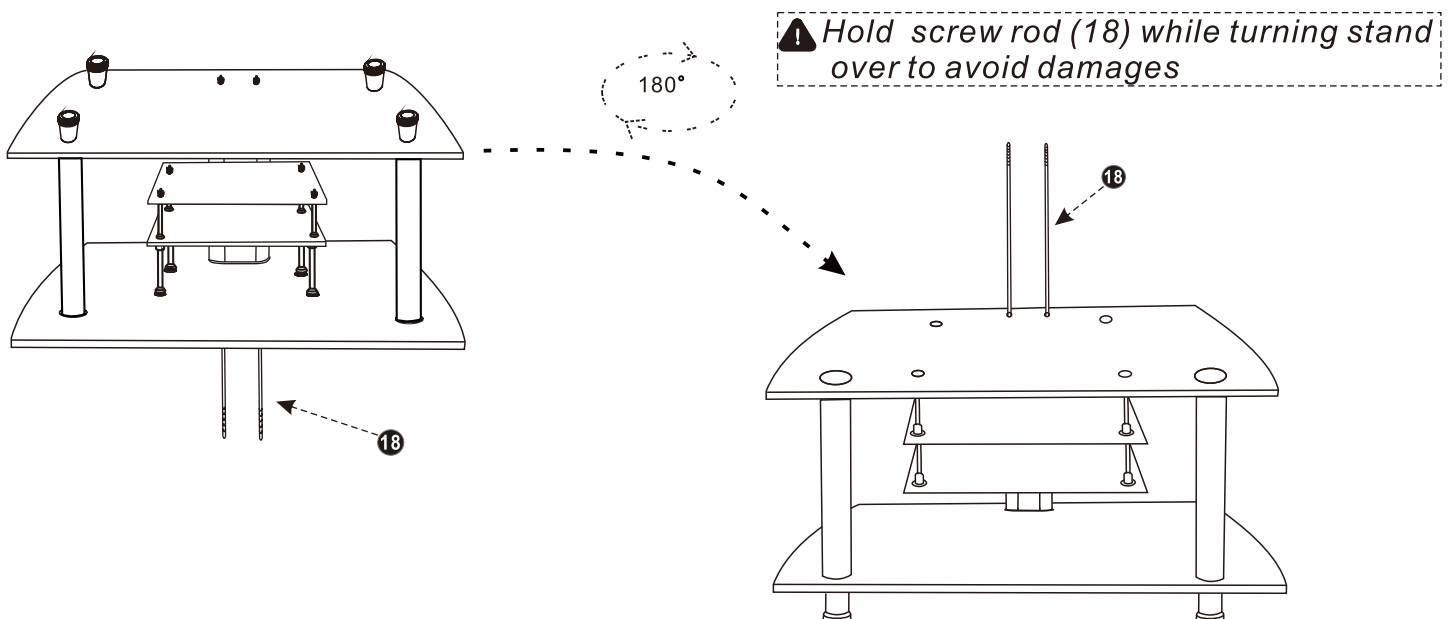
Step 8

- Insert plastic washer (14) through screw rod (19).
- Fix screw bolt (E) on aluminum tray.
- Screw adjustable footing (10) on screw bolt (E) and screw rod (19).



Step 9

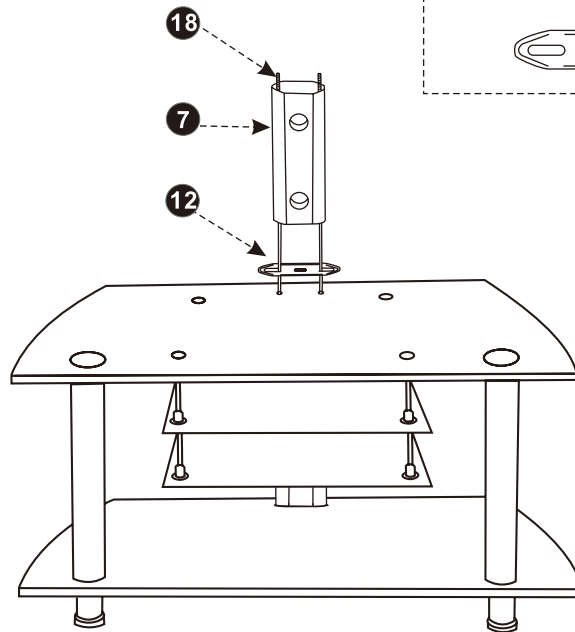
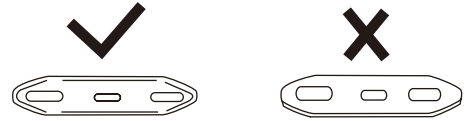
- Turn over the stand and place it on the floor.



Step 10

- Insert rubber mat (12) through screw rod (18).
- Cover cable board (7) through screw rod (18).

Tip8:
the front and back of rubber mat (12)



Step 11

- Insert swivel mount (9) through screw rod (18).
- Fix steel washer (F) and nut (A) on screw rod (18), tighten with wrench (H).
- Screw knob (17) on swivel mount (9).

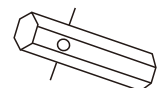
HARDWARE REQUIRED



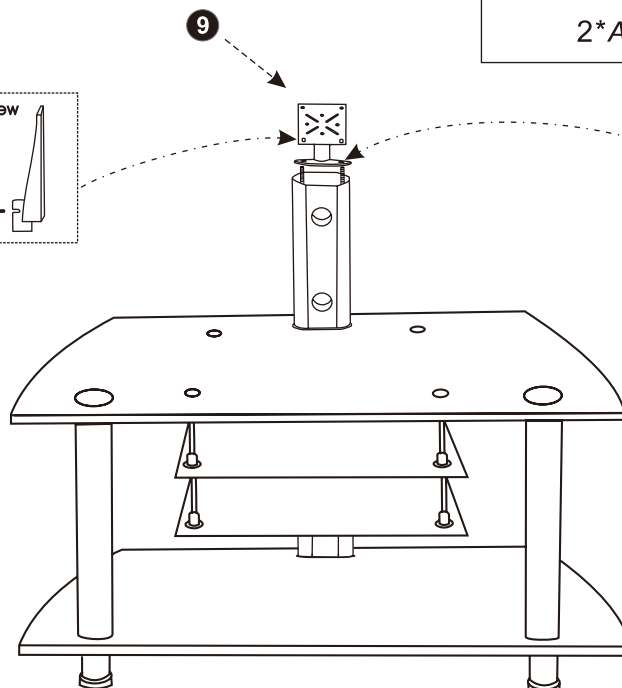
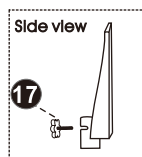
2*A



2*F



H





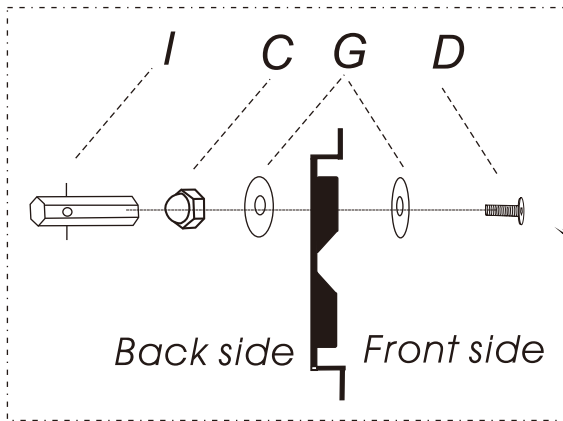
HODEDAH

www.hodedah.com

support@hodedah.com

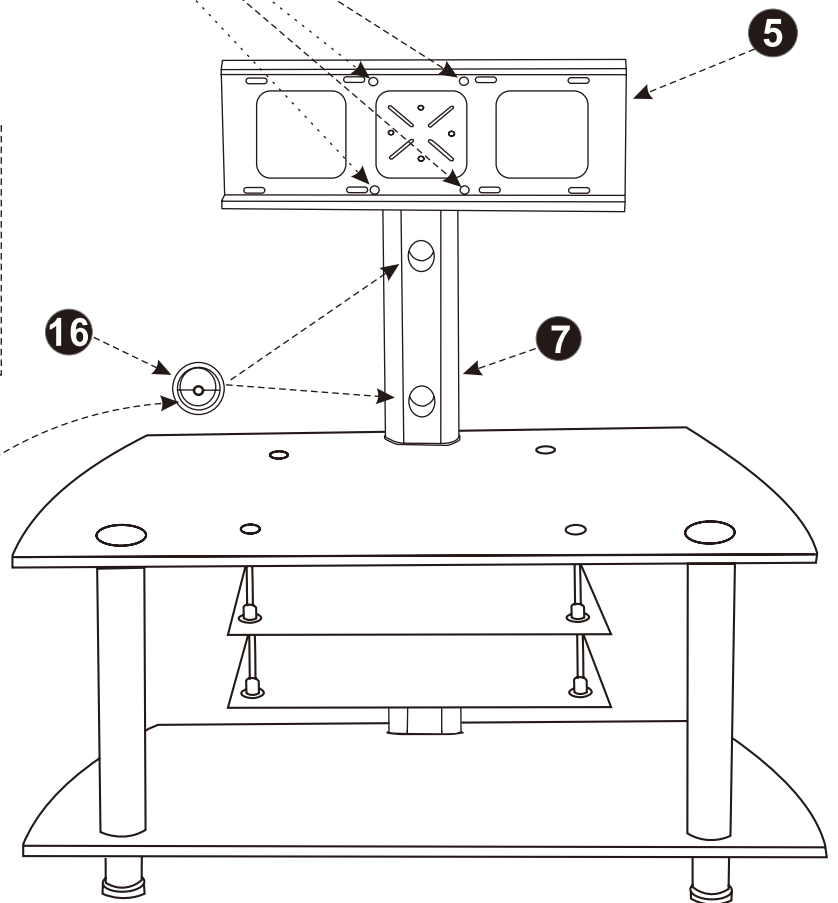
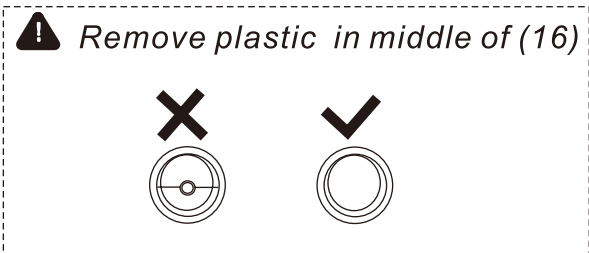
Step 12

- Fix Bracket (5) aim at the four holes on the swivel mount(9).
- Screw bolt(D) and steel washer(G) on front side, ball head nut(B) and steel washer(G) on back side tighten with wrench (I). (see photo for example)
- Fix plastic ring (16) on both side of cable board(7).

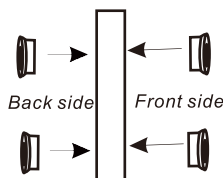


HARDWARE REQUIRED

4*C	8*G	I	4*D



Tip9:
Plastic ring needs assembly on both front and back of the cable board





HODEDAH

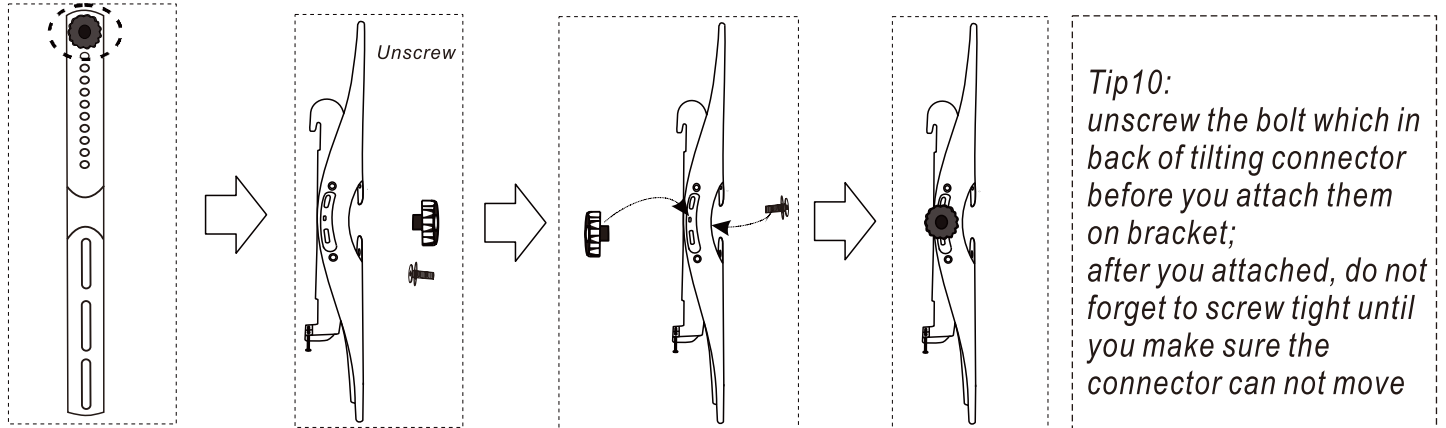
www.hodedah.com

support@hodedah.com

Step 13

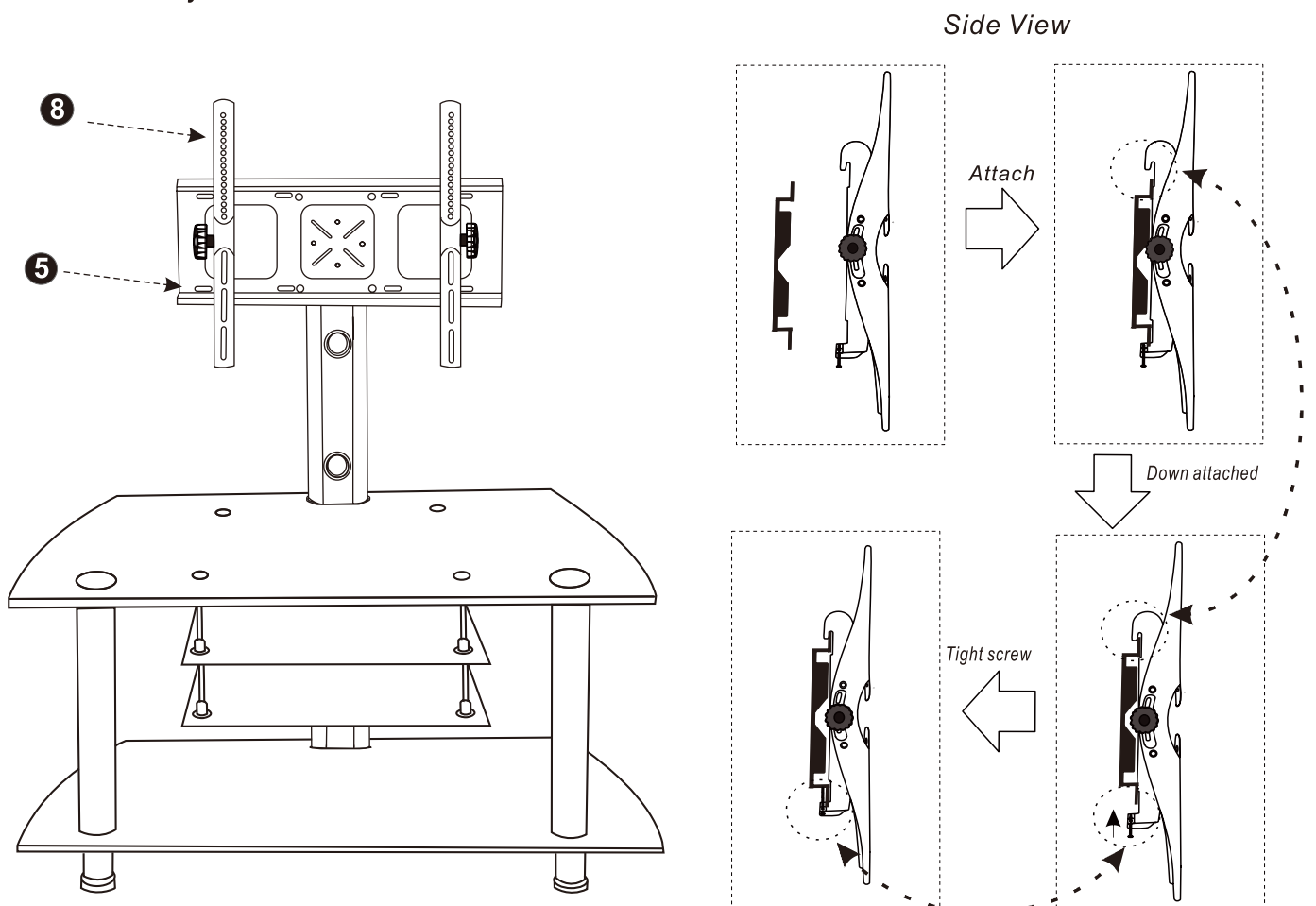
- Unscrew the knob from tilting connector, and fix it on the middle holes as followed.

Packing condition



Step 14

- Carefully attach the Tilting Connector(8) to Bracket (5); or attach after assembled tilting connector with your TV.

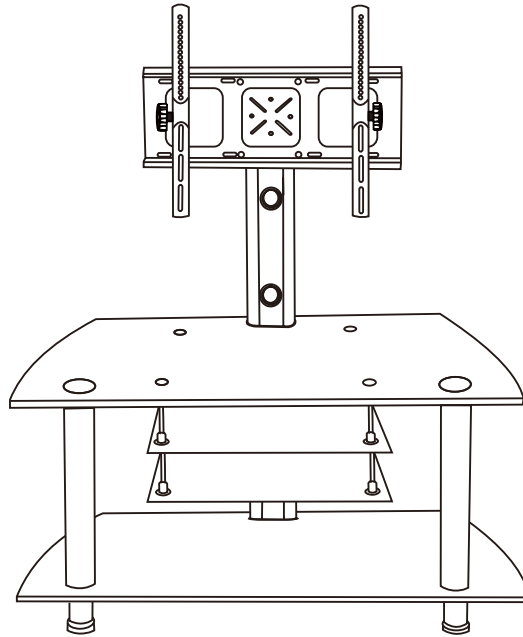




HODEDAH

www.hodedah.com

support@hodedah.com



Job Complete !

In the interest of our environment please dispose of all packaging thoughtfully.

WARNING!

1. MAKE SURE ALL SCREWS HAVE BEEN PROPERLY TIGHTENED BEFORE USING TV STAND
2. DO NOT PLACE VERY HOT OR VERY COLD ITEMS ON THE GLASS SURFACE UNLESS ADEQUATELY THICK TABLEMATS ARE USED TO PREVENT SUCH ITEMS FROM COMING INTO DIRECT CONTACT WITH GLASS SURFACE
3. DO NOT SIT OR STAND UPON THE GLASS SURFACE
4. DO NOT STRIKE THE GLASS WITH HARD OR POINTED ITEMS
5. WHEN CLEANING THE GLASS USE A DAMP CLOTH ; DO NOT USE WASHING POWDER OR ANY OTHER SUBSTANCE CONTAINING ABRASIVES SINCE THESE SUBSTANCES CAN SCRATCH GLASS
6. IT IS ESSENTIAL THAT THIS UNIT IS FIXED TO A WALL WITH FIXINGS PROVIDED (IF APPLICABLE)