

HODEDAH®

Assembly Instructions

This instruction booklet contains important safety information, please read and keep for future reference.

ITEM # HIK 96-T (MOP)

KITCHEN CABINET



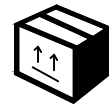
2 people



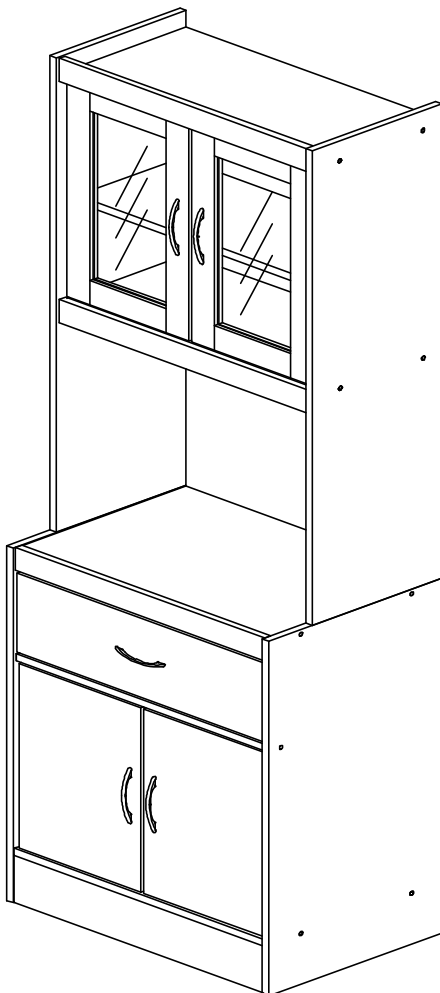
90 mins



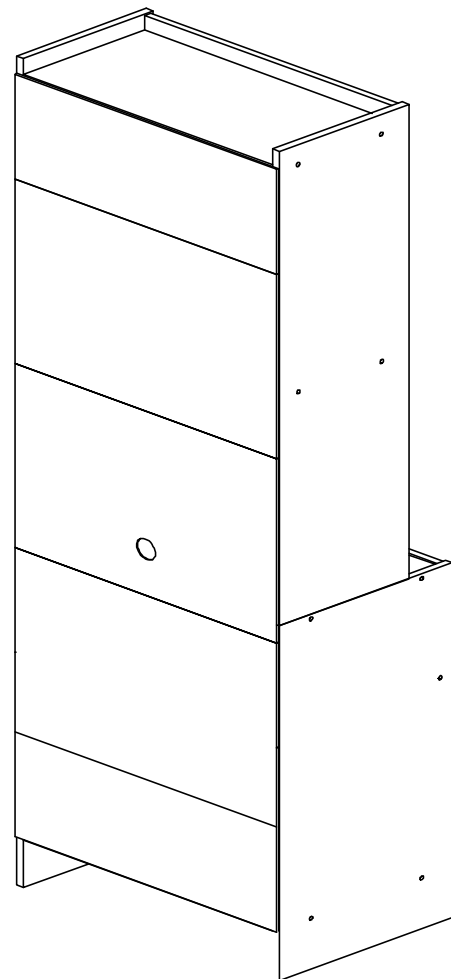
1 YR LTD



1 Box



FRONT VIEW



REAR VIEW

Product Dimensions : Height 70.9" x Width 23.9" x Depth 15.75"

HODEDAH®

Questions, need parts, we are here to help!



Phone

Mon - Fri | 9:30am to 5pm EST

1 - 855 - HODEDAH

1 - 855 - 463 - 3324



Email

Send us an email

Support@Hodedah.com



Website

Visit our website to open a case

www.Hodedah.com

FOR PROMPT, RELIABLE SERVICE PLEASE HAVE YOUR INSTRUCTION MANUAL READY



DO NOT RETURN PRODUCT TO THE STORE

If parts are missing or damaged please contact our customer service team and we will gladly ship your replacement parts FREE of charge within ONE YEAR of purchase!

WARRANTY

Hodedah warrants this product to be free from defect in materials and workmanship and agrees to remedy and such defect. This warranty covers one year from the date of original purchase. This is solely limited to replacement of defective parts and no assembly for labor is included. This warranty does not apply to any product that has been improperly assembled, subjected to misuse, abuse or which has been altered or repaired in any way. To obtain warranty service, original purchaser must present the following; original bill of sale, date of purchase, where the product was purchased and images if applicable. Components replaced warranted through the remainder of the original warranty only. The defective part will be replaced without charge, subject to the terms and conditions described above.

WARNING

- This product contains small parts, keep away from children.
- This product contains plastic bags, keep away from children.
- Serious or fatal crushing injuries can occur from furniture tip-over. To help prevent this, place heaviest items on the lower shelves and drawers. Do not set heavy object on top shelves and drawers.
- Never allow children to climb or hang on drawers, shelves and doors.
- Never open more than one drawer at a time.
- The use of tip-over restraints may reduce but not eliminate the risk of tip-over.

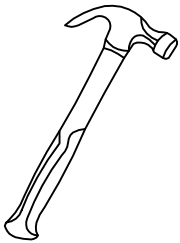
HODEDAH®

Let's get started...

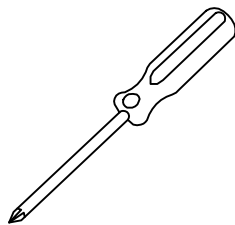
Helpful hints, read before beginning assembly

- Make sure you receive all boxes. if your item is packed in one box, box count will read 1 of 1, likewise if your item is packed in two boxes, box count will read 1 of 2 and second box will read 2 of 2.
- Read each step carefully. It is very important that each step is performed in the correct order. If these steps are not followed in sequence, assembly difficulties will occur.
- Work in a spacious level area, preferably carpet, near the place the unit will be used.
- **DO NO USE** power tools to assemble your furniture, it will strip and damage parts.
- Your package should include the following hardware and parts. Parts are labeled or stamped on the raw edge. Please inspect contents to ensure you have received all components. **If you are missing any hardware or parts please contact customer service right away before assembly.**

Assembly Tools Required (not supplied)



Hammer



Philips Screwdriver



Tape Measure





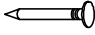
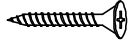
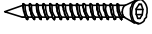



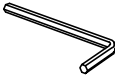



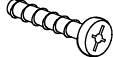
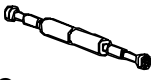


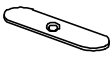
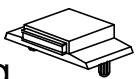
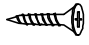


No Power Tools Needed

Product Care and Maintenance

- Wipe clean with dry soft cloth, never use chemicals or cleaning products they will damage the finish.
- Avoid placing your furniture in direct sunlight, as sunlight causes fading.
- Never push, drag or pull your furniture, to move to a new location carefully with two or more people carry the unit to its new location.
- Avoid extreme changes in temperature by arranging furniture away from radiators, heat and air vents and air conditioning units.

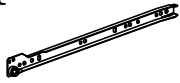

Hardware List

A  M8X25MM	QTY 9 Pcs	B  M8X40MM	QTY 4 Pcs	C  Mirror Bracket	QTY 12 Pcs
D  M3.5X16MM	QTY 24 Pcs	E  Nail 5/8	QTY 50 Pcs	F  M4X38MM	QTY 10 Pcs
G  M6X50MM	QTY 18 Pcs	H1  Minifix Nut	QTY 6 Pcs	H2  Minifix Bolt	QTY 6 Pcs
H3  Minifix Cap	QTY 24 Pcs	I  Allen Key	QTY 1 Pcs	J  Shelf Support	QTY 8 Pcs
K Door Support Spring 	QTY 8 Pcs	L1 Moon Handle 96mm 	QTY 5 Pcs	L2  M4X22MM	QTY 8 Pcs
M1 Double Head Minifix Bolt 	QTY 4 Pcs	M2 Double Head Minifix Nut 	QTY 8 Pcs	M3 Double Head Minifix Cap 	QTY 8 Pcs
N1 Metal Piece 	QTY 4 Pcs	N2 3.5kg Magnet (1 Hole) 	QTY 4 Pcs	N3  M3X12MM	QTY 4 Pcs

Important

1. Before you throw the package, please use the Check Box to identify the parts and hardware to ensure that you have everything you need.
2. Check and measure the bolts before applying them to parts.
3. Do not completely tighten all hardware until the entire assembly is complete, unless indicated otherwise.

Hardware List

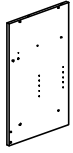
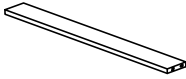
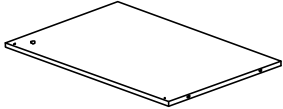
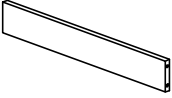
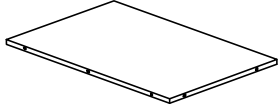
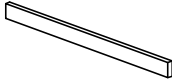
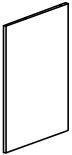

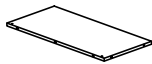




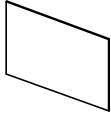

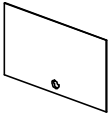
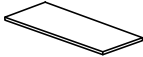
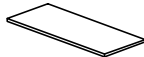
O1  Drawer Slide "14	QTY 2 Pcs	O2  Drawer Slide "14	QTY 2 Pcs
---	-----------------	---	-----------------

Important


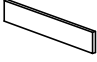
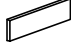
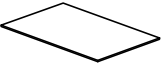
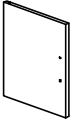
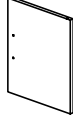
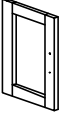
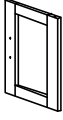
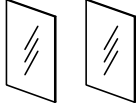
1. Before you throw the package, please use the Check Box to identify the parts and hardware to ensure that you have everything you need.
2. Check and measure the bolts before applying them to parts.
3. Do not completely tighten all hardware until the entire assembly is complete, unless indicated otherwise.

HODEDAH®

Parts List

1  770X400x15mm	QTY 1 Pcs	2  576x66x15mm	QTY 1 Pcs	3  576x398x15mm	QTY 1 Pcs
4  576x103x15mm	QTY 1 Pcs	5  576x380x15mm	QTY 1 Pcs	6  576x51x15mm	QTY 1 Pcs
7  770x400x15mm	QTY 1 Pcs	8  1030x300x15mm	QTY 1 Pcs	9  576x280x15mm	QTY 1 Pcs
10  576x51x15mm	QTY 1 Pcs	11  576x280x15mm	QTY 1 Pcs	12  576x51x15mm	QTY 1 Pcs
13  1030x300x15mm	QTY 1 Pcs	14  605x400x2.5mm	QTY 2 Pcs	15  605x228x2.5mm	QTY 2 Pcs
16  605x400x2.5mm	QTY 1 Pcs	17  576x246x15mm	QTY 1 Pcs	18  576x235x15mm	QTY 1 Pcs

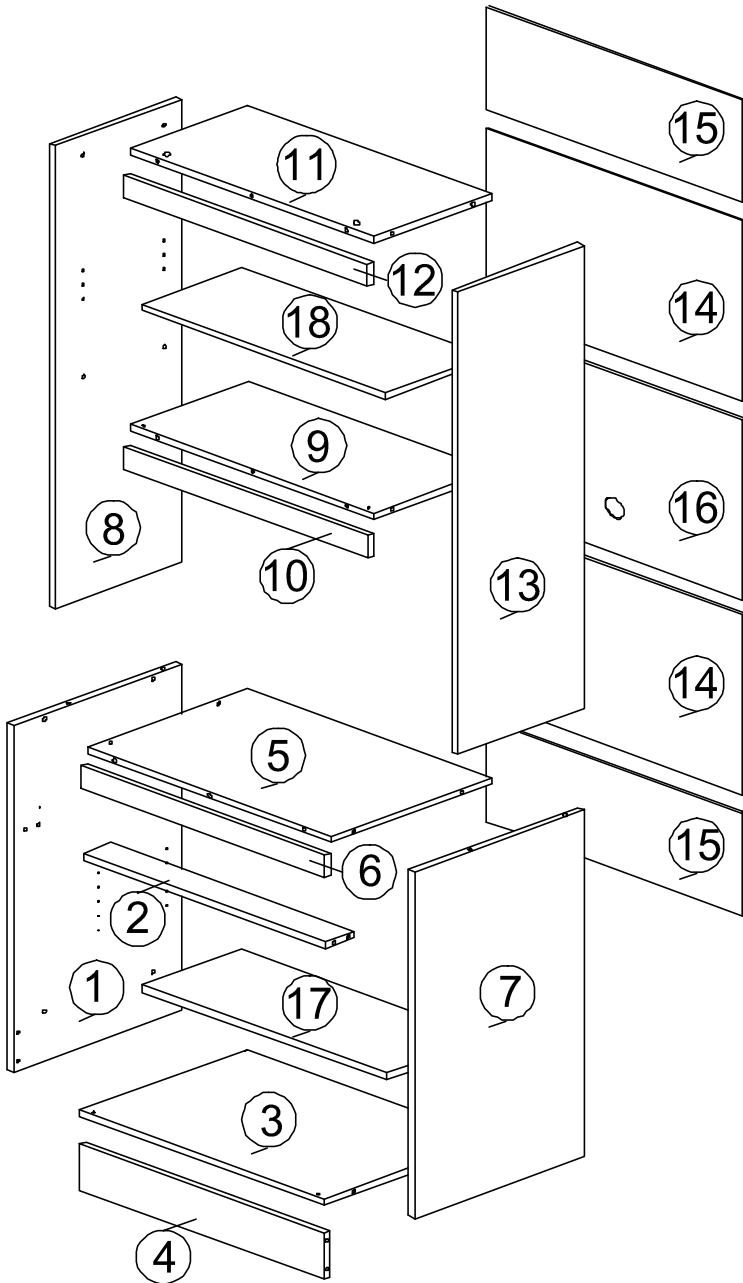
Parts List

<p>19</p>  <p>568x171x15mm</p>	<p>QTY</p> <p>1 Pcs</p>	<p>20</p>  <p>520x116x15mm</p>	<p>QTY</p> <p>1 Pcs</p>	<p>21</p>  <p>357x116x15mm</p>	<p>QTY</p> <p>2 Pcs</p>
<p>22</p>  <p>549x357x2.5mm</p>	<p>QTY</p> <p>1 Pcs</p>	<p>23</p>  <p>400x282x15mm</p>	<p>QTY</p> <p>1 Pcs</p>	<p>24</p>  <p>400x282x15mm</p>	<p>QTY</p> <p>1 Pcs</p>
<p>25</p>  <p>474x282x15mm</p>	<p>QTY</p> <p>1 Pcs</p>	<p>26</p>  <p>474x282x15mm</p>	<p>QTY</p> <p>1 Pcs</p>	<p>27</p>  <p>403x203x3mm</p>	<p>QTY</p> <p>2 Pcs</p>

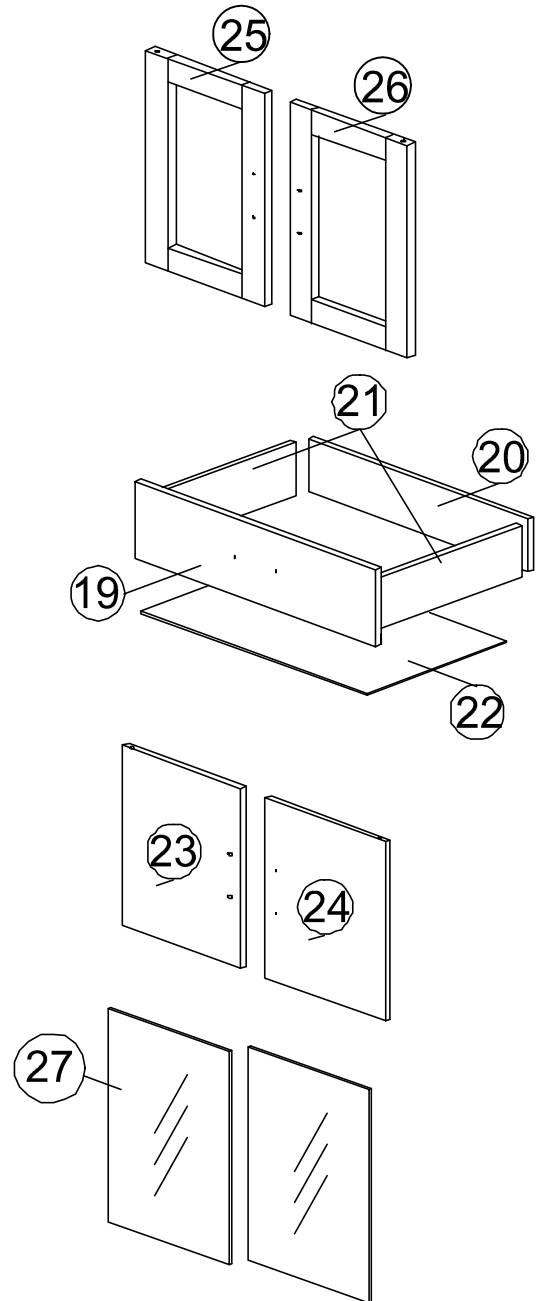
HODEDAH®

The Breakdown...

I) Main Unit :



II) Door & Drawer :

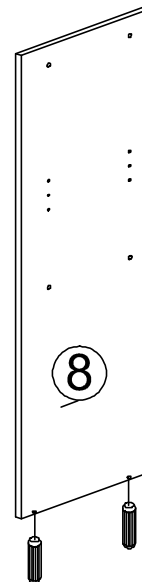
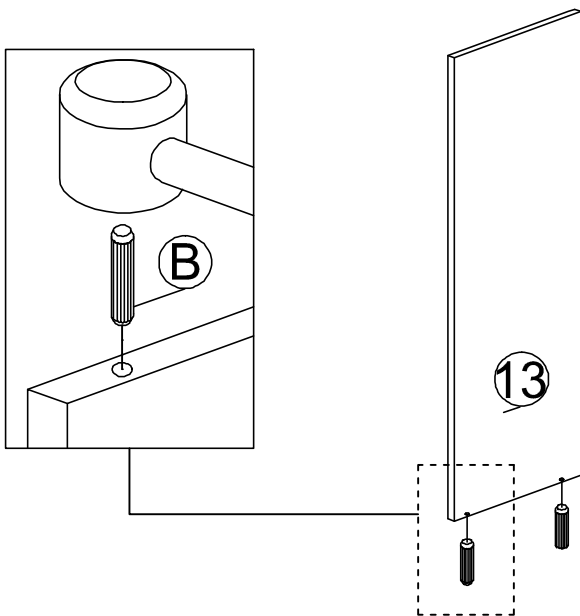
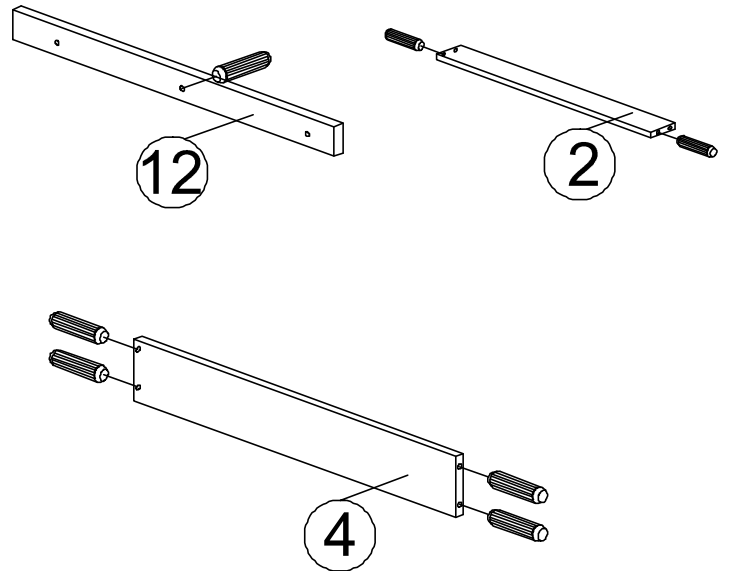
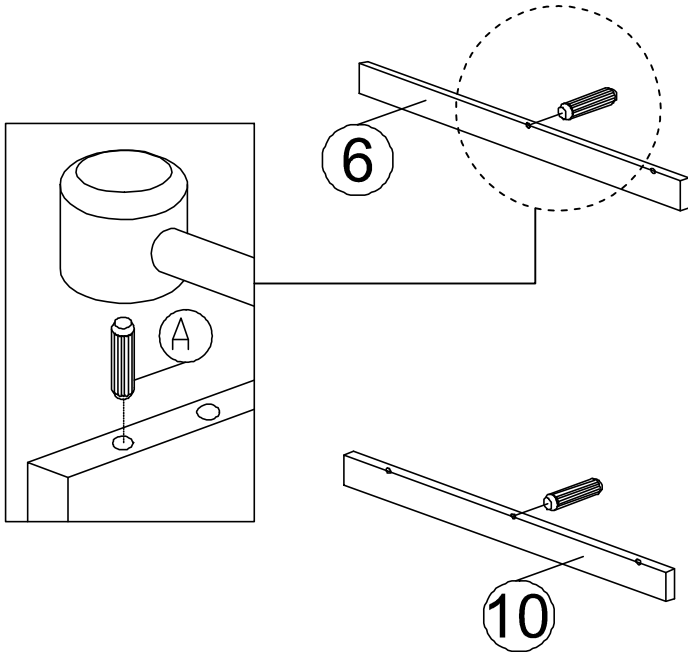


HODEDAH®

Step 1

A		WOOD DOWEL M8x25MM	9
---	---	--------------------	---

B		WOOD DOWEL M8x40MM	4
---	---	--------------------	---

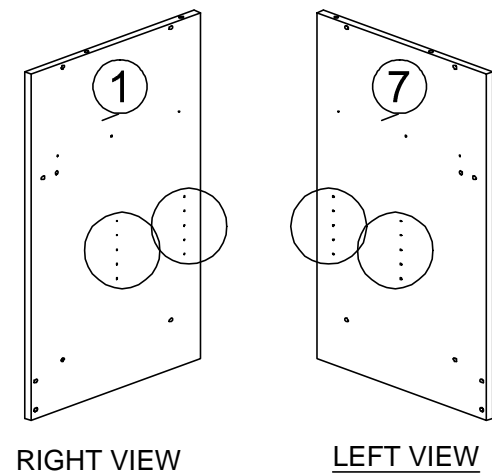
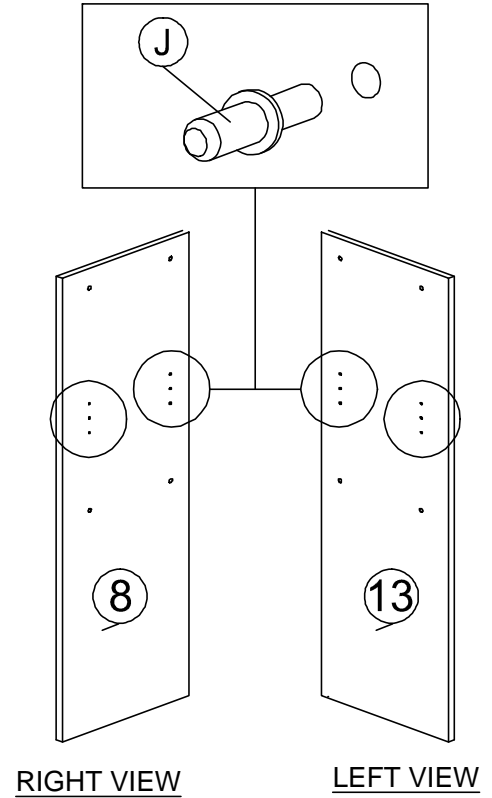
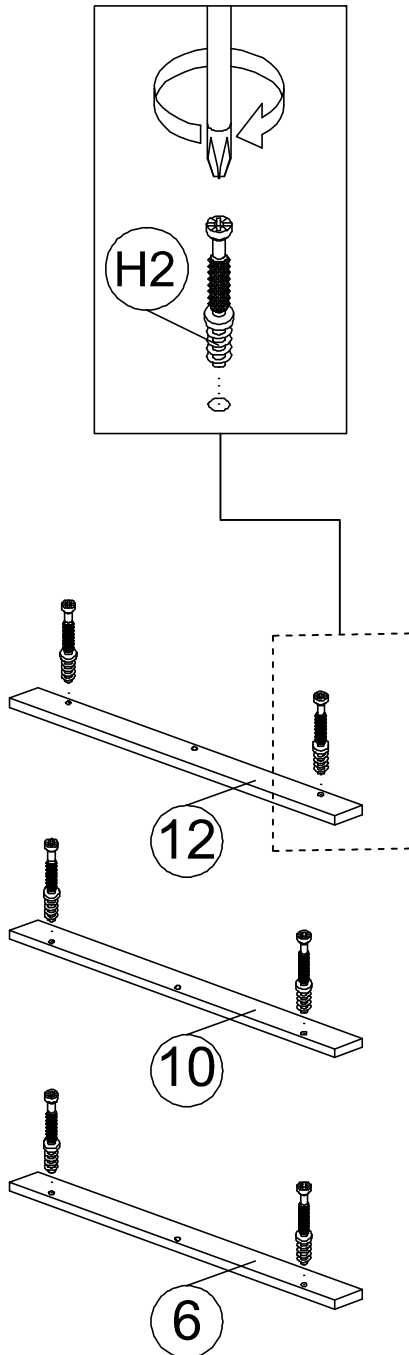


1. Insert 9 x wood dowels (A) into panels (6,12,2,10 & 4). Using hammer to gently tap them in.
2. Insert 4 x wood dowels (B) into panels (13 & 8). Using hammer to gently tap them in.

Step 2

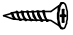
J		SHELF SUPPORT	8
---	---	---------------	---


H2		MINIFIX BOLT	6
----	---	--------------	---

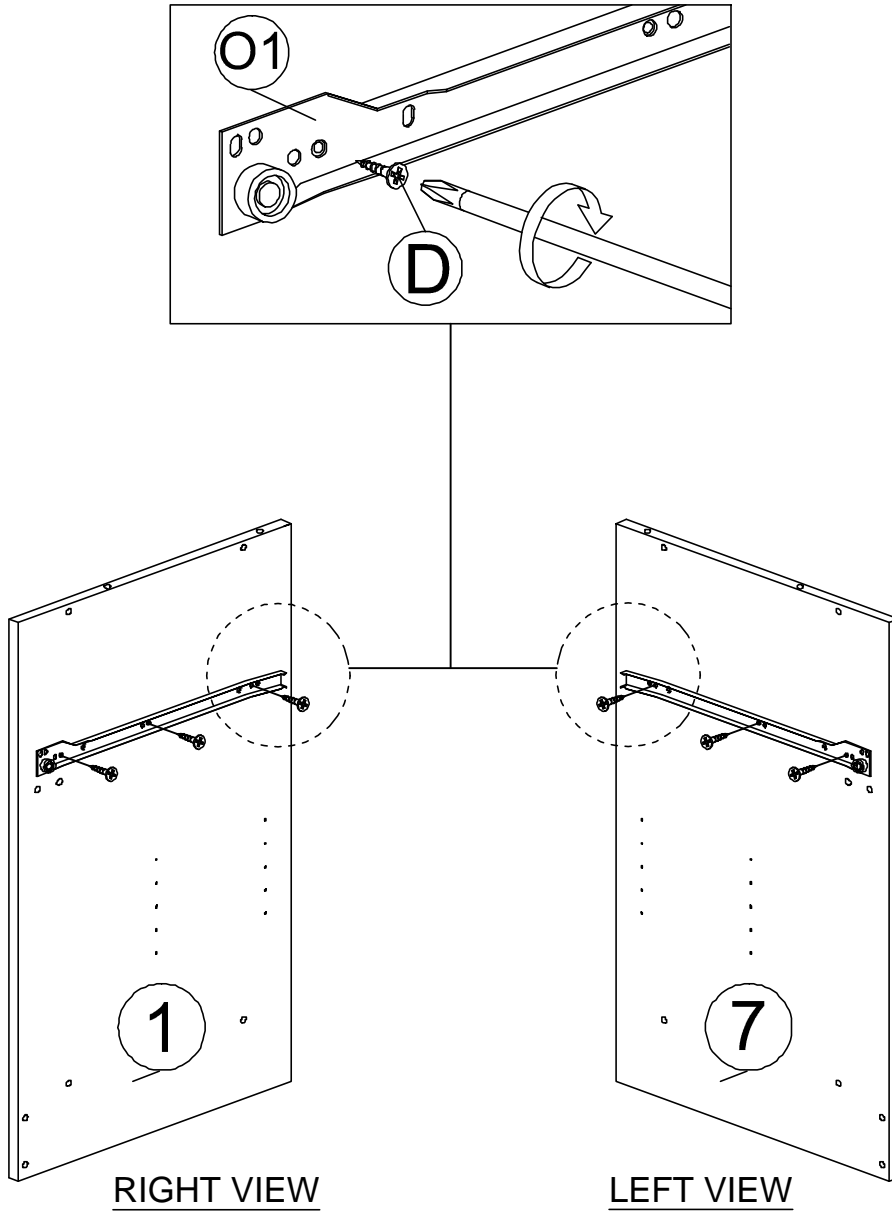


1. Tighten 6 x minifix bolt (**H2**) into panels (**6,10 & 12**).
2. Insert 8 x shelf support (**J**) into panels (**1,7,8 & 13**).

Step 3

D		CB SCREW M3.5X16MM	6
---	---	--------------------	---




O1		DRAWER SLIDE "14	2
----	--	------------------	---





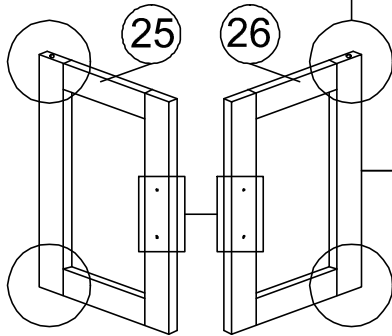
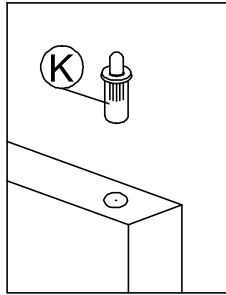
1. Place the drawer slide (**O1**) onto 3 holes area shown at right view panel (**1**). Then tighten it with 3 x cb screws M3.5x16mm (**D**).
2. Place the drawer slide (**O1**) onto 3 holes area shown at left view panel (**7**). Then tighten it with 3 x cb screws M3.5x16mm (**D**).

HODEDAH®

Step 4

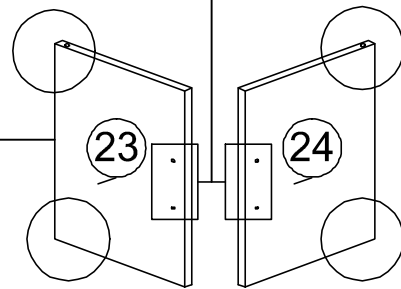
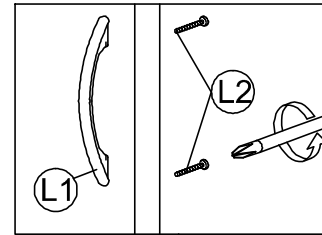
C		MIRROR BRACKET	12
D		CB SCREW M3.5X16MM	12
K		DOOR SUPPORT SPRING	8

L1		MOON HANDLE - 96MM	4
L2		P/H SCREW M4X22MM	8



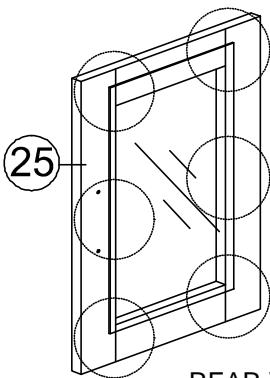
LEFT VIEW

RIGHT VIEW

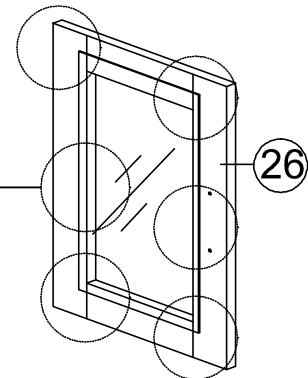
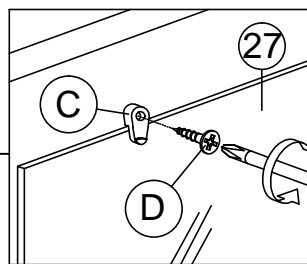


LEFT VIEW

RIGHT VIEW



REAR VIEW


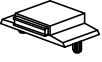



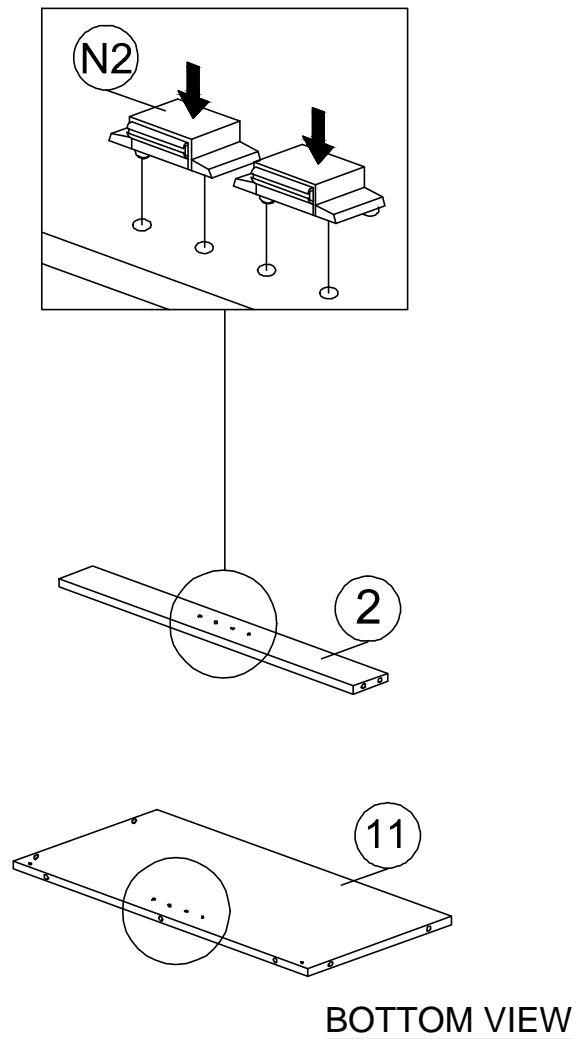
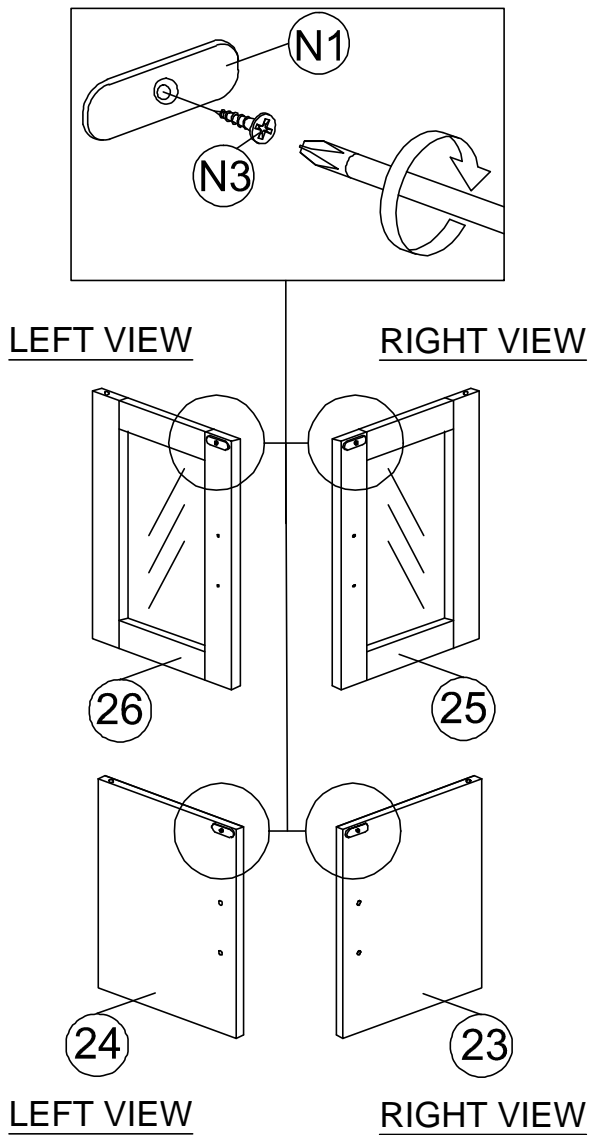
REAR VIEW

1. Insert 8 x door support spring (K) into panels (23,24,25 & 26) top & bottom side.
2. Tighten 8 x P/H screws M4x22mm (L2) from door panel (23,24,25 & 26) back into 4 x handles (L1) 's holes.
3. Put 12 x bracket (C) onto 2 x glass (27), then tighten 12 x cb screws M3.5x16mm (D). Through bracket C thru hole.

HODEDAH®


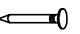

Step 5



N1		METAL PIECE	4
N2		3.5KG MAGNET (1 HOLE)	4
N3		CB SCREW M3X12MM	4

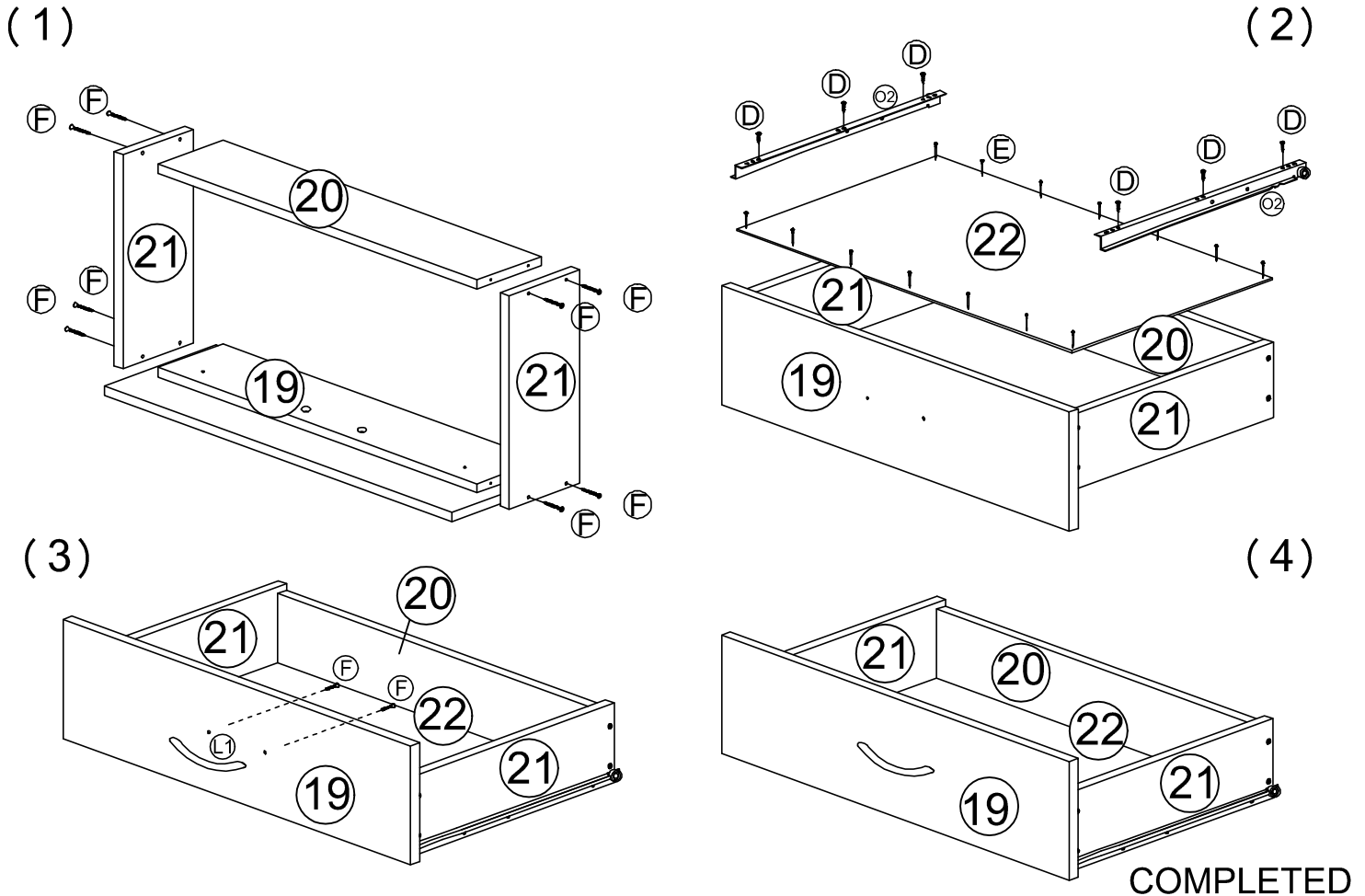


1. Fix and tighten 4 x metal piece (N1) by using 4 x cb screws M3x12mm (N3) at panels (25,26 23 & 24).
2. Insert 4 x magnet (N2) to panel (2 & 11) 's non-thru holes as shown, make sure the magnets, iron side facing forward to edging direction.

Step 6

D		CB SCREW M3.5X16MM	6
E		NAIL 5/8	10
F		CB SCREW M4X38MM	10



L1		MOON HANDLE - 96MM	1
O2		DRAWER SLIDE "14	2



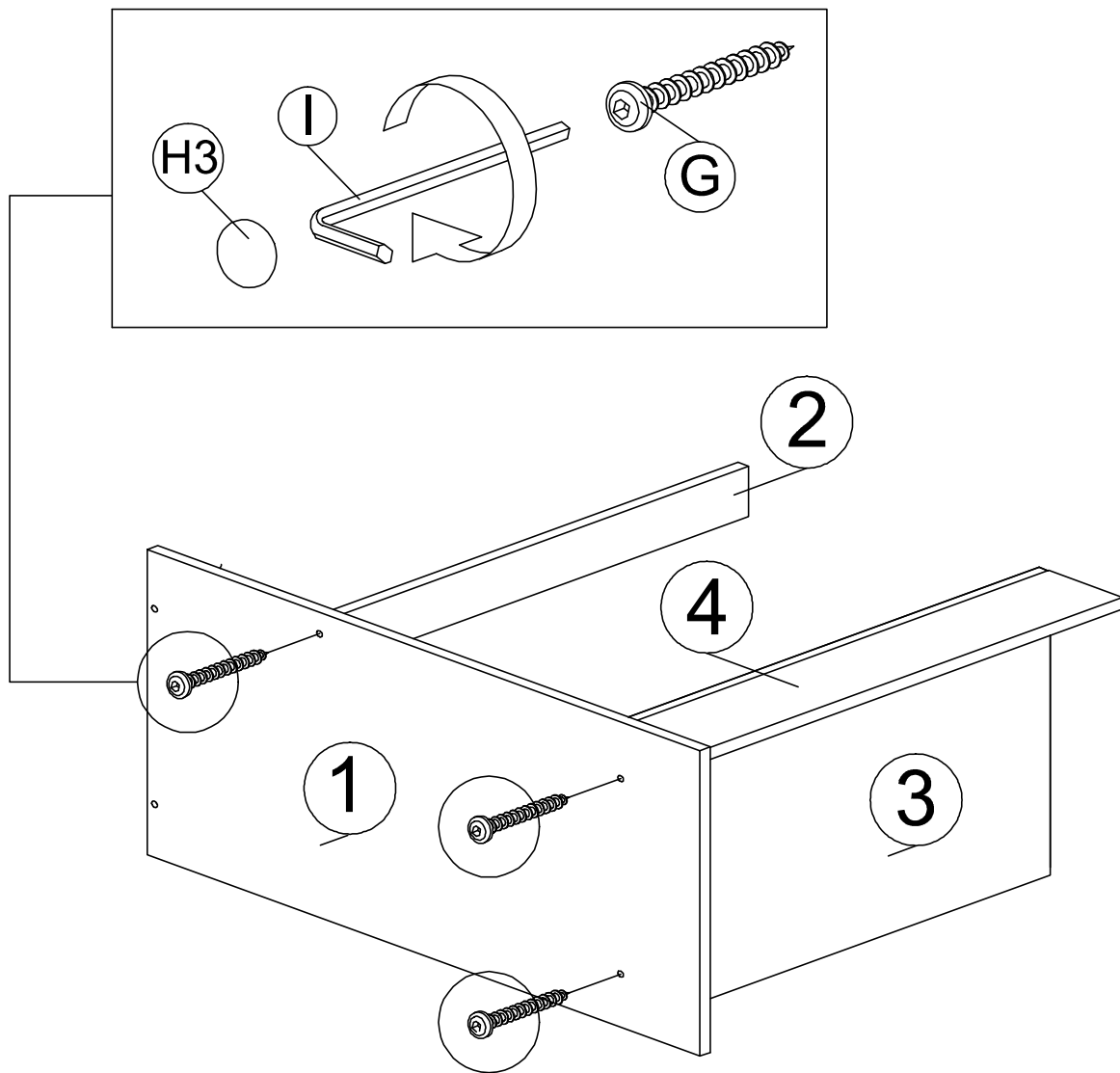
1. Place 2 x panels (21) next to each side of panel (19 & 20). **(As Shown)**. Then tighten screws (F) from the side of panels (21) with screwdriver.
2. Flip drawer bottom side up, take panel (22) and using nails (E) slight hammer nails into the edges thru panel (22) onto panel (19 # **Drawer front**) and (20 # **Drawer back**).
3. Then place drawer slide (O2) onto the edges of panels (21) both sides and screw in three Letter (D) screws onto each hole of the drawer slide connecting it to panels (21) with screwdriver. **(As Shown)**.
4. Flip drawer around and attach handle (L1) to front panel (19) by using 2 x screws (F) from the inner side panel (19) with screwdriver.

HODEDAH®

Step 7



G		CSK CAP WOOD M6X50MM	3
H3		MINIFIX CAP	3

I		ALLEN KEY	1
---	---	-----------	---

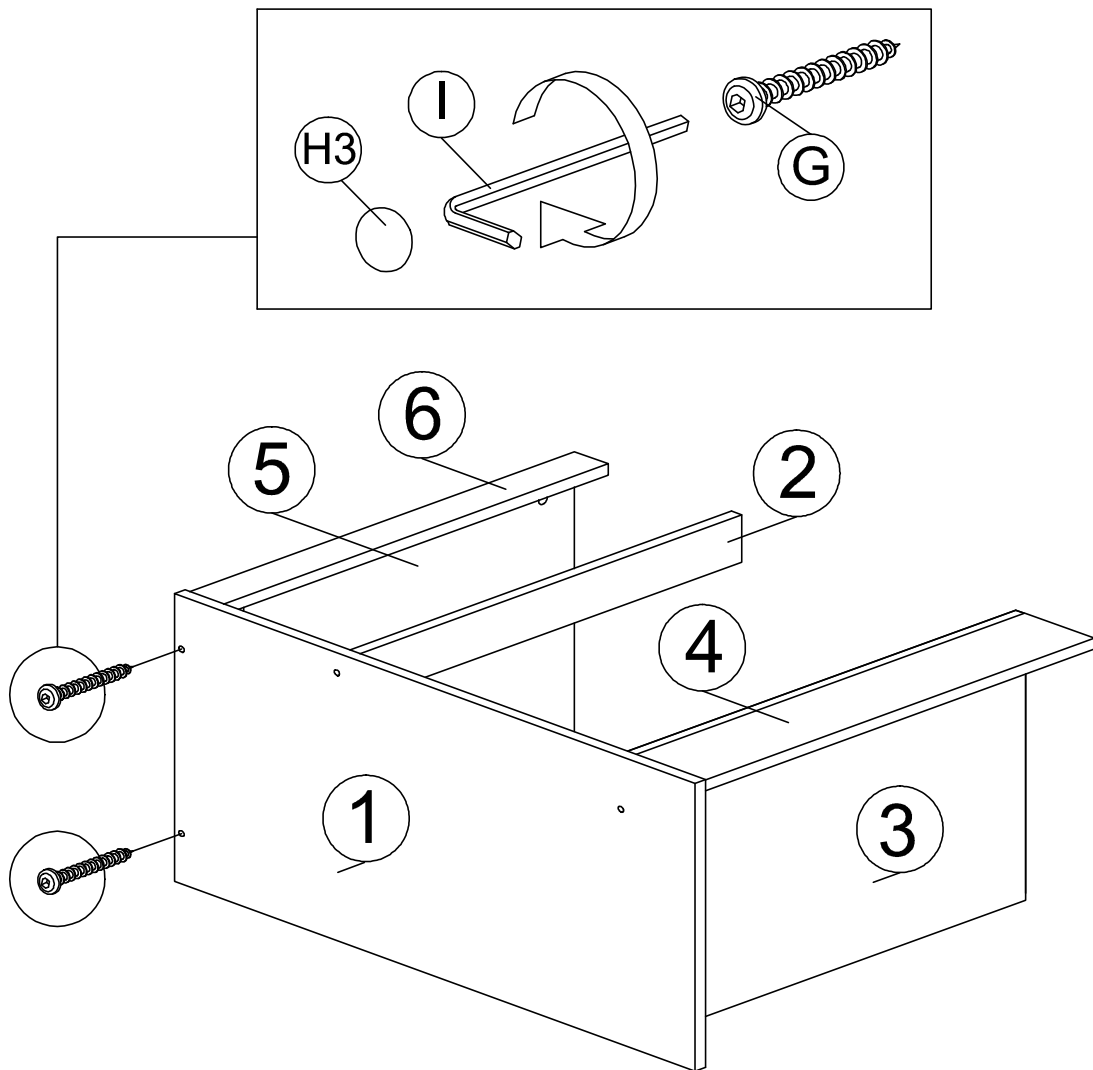


1. Fix panel (2,3 & 4) onto panel (1) by inserting dowels (A) onto non-thru at panel (1). Then use allen key (I) to tighten 3 x csk M6x50mm (G) from the thru-holes of panel (I) and insert 3 x Cap (H3).

Step 8

G		CSK CAP WOOD M6X50MM	2
H3		MINIFIX CAP	2

I		ALLEN KEY	1
---	---	-----------	---

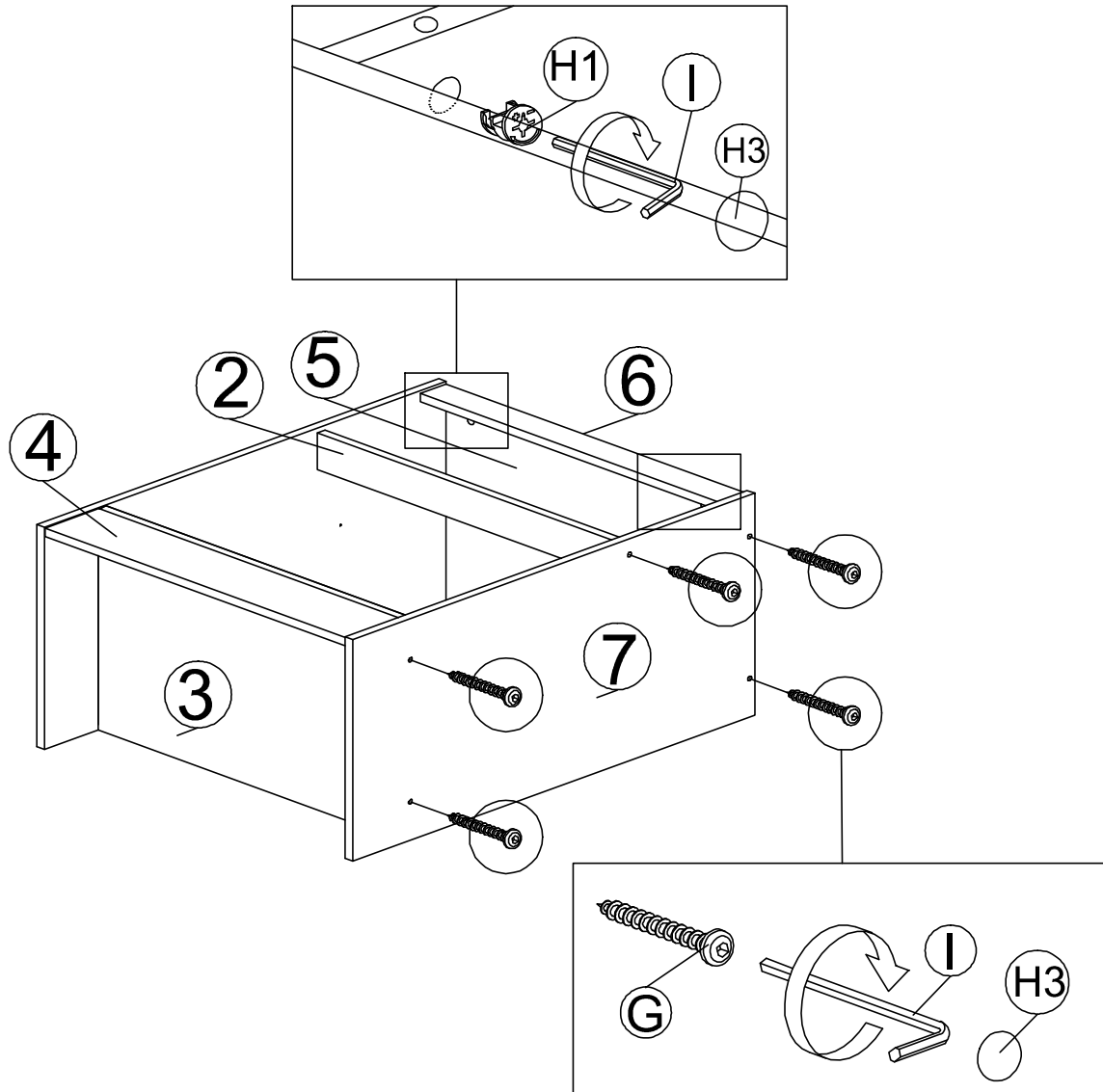


1. Fix panel (5 & 6) to panel (1) by inserting dowels (A) onto non-thru at panel (1). Then use allen key (I) to tighten 2 x csk M6x50mm screws (G) from the thru-holes of panel (1) and insert 2 x cap (H3).

Step 9

G		CSK CAP WOOD M6X50MM	5
H1		MINIFIX NUT	2
H3		MINIFIX CAP	7

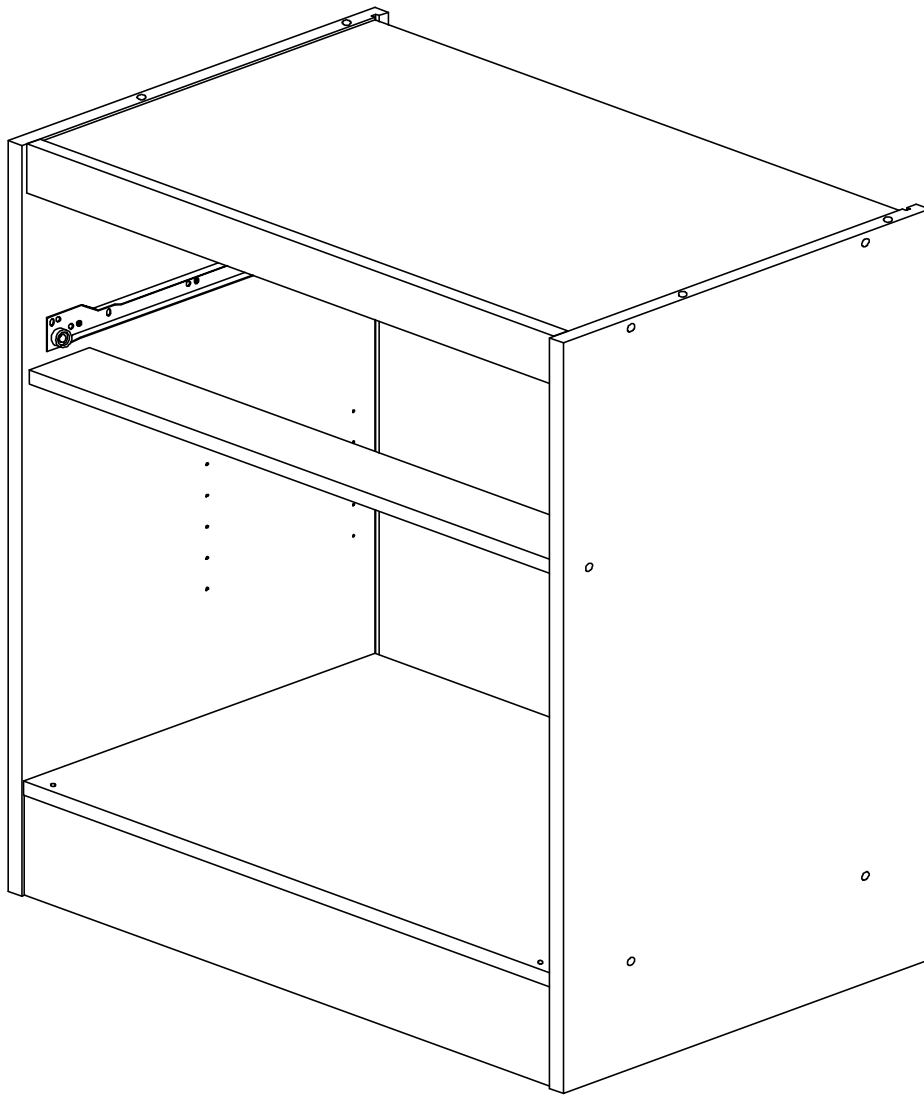
I		ALLEN KEY	1
---	---	-----------	---



1. Fix panel (2,3,4,5 & 6) to panel (7) by inserting dowels (A) onto non-thru at panel (7).
2. Then insert 2 x minifix nut (H1) into panel (5)'s L-thru holes with allen key (I) to tighten it. After that insert 2 x cap (H3).
3. Use allen key (I) to tighten 5 x screws (G) from the thru-holes of panel (7) and insert 5 x cap (H3).

HODEDAH®

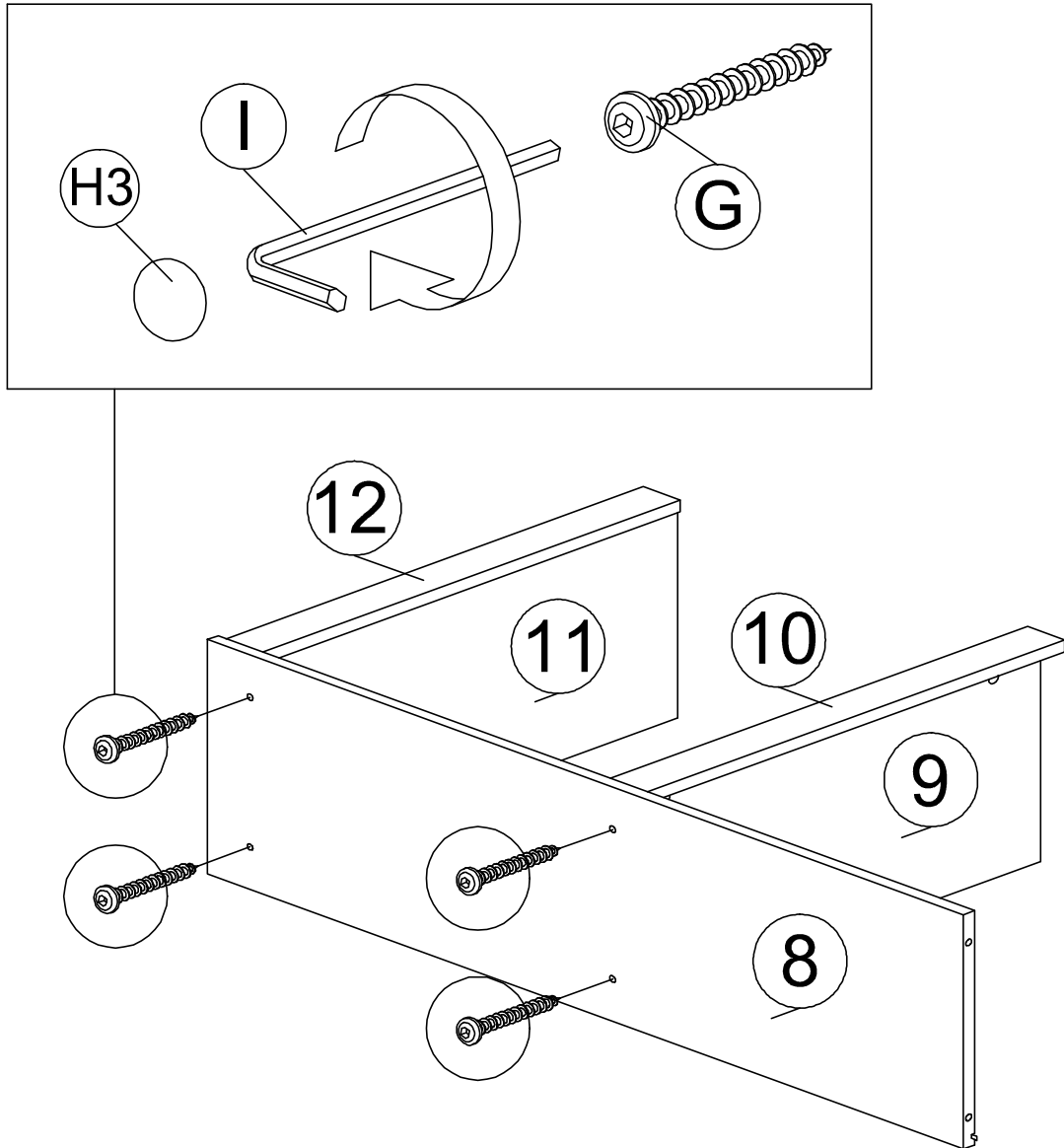
PART 1



Step 10

G		CSK CAP WOOD M6X50MM	4
H3		MINIFIX CAP	4

I		ALLEN KEY	1
---	---	-----------	---



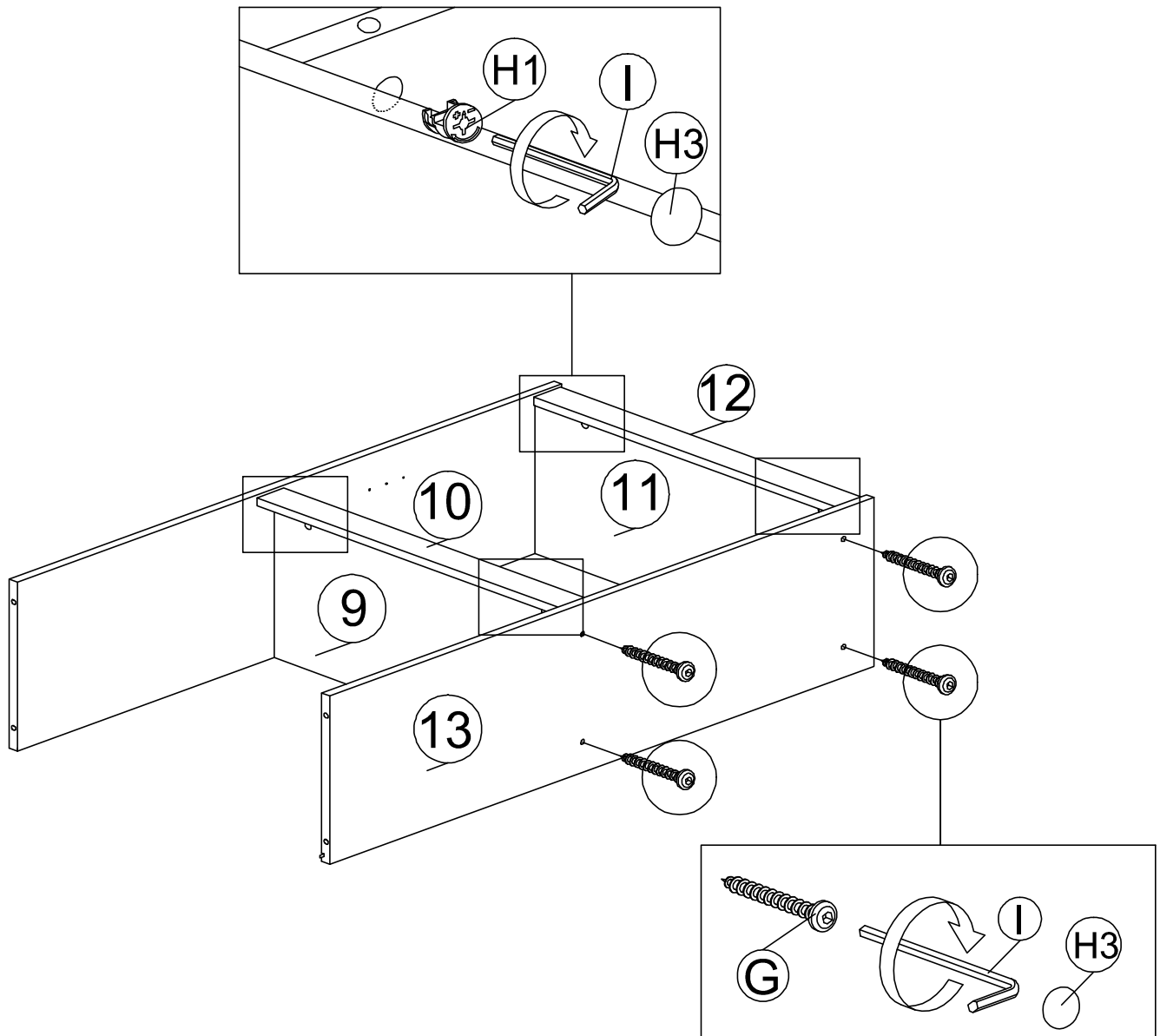
1. Fix panel (9,10,11 & 12) to panel (8) by inserting dowels (A) onto non-thru holes at panel (8). Use allen key (I) to tighten 4 x csk M6x50mm (G) from the thru holes of panel (8) . After that insert 4 x cap (H3).

HODEDAH®

Step 11

G		CSK CAP WOOD M6X50MM	4
H1		MINIFIX NUT	4
H3		MINIFIX CAP	8

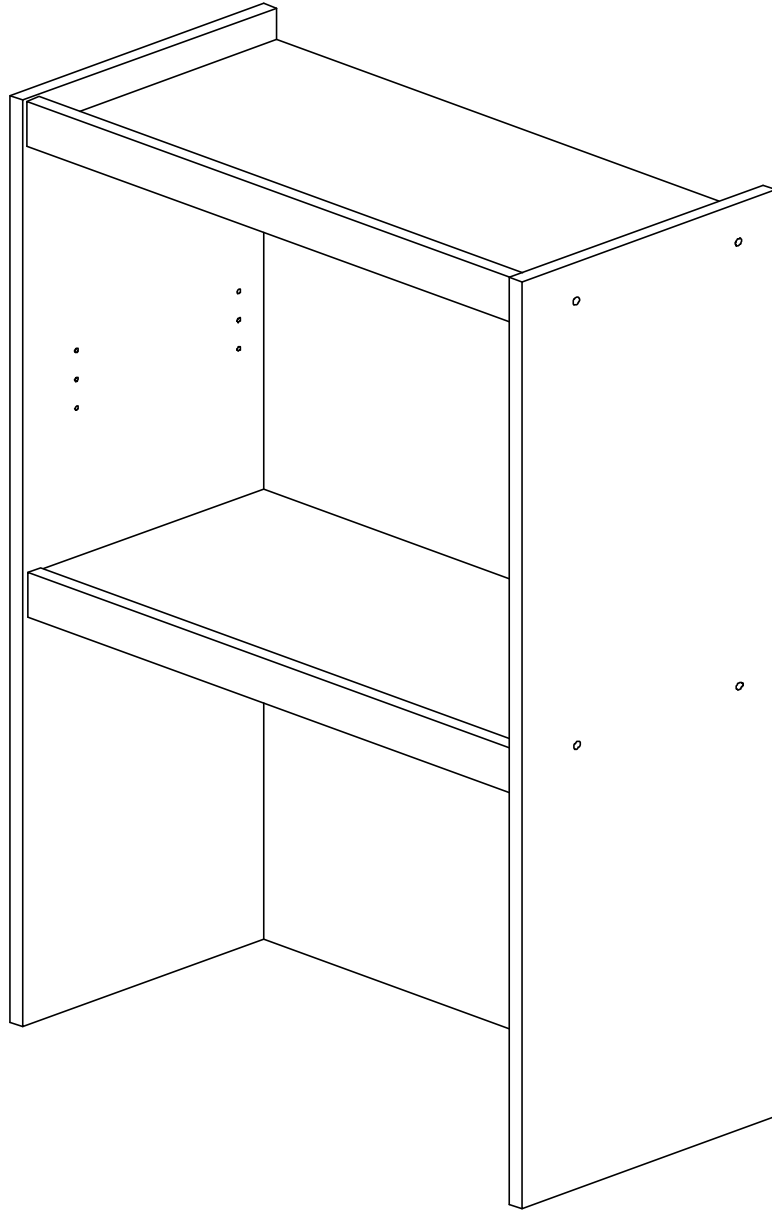
I		ALLEN KEY	1
---	--	-----------	---



1. Fix panel **(9 & 11)** to panel **(10 & 12)** by inserting 4 x minifix nut **(H1)** into panel **(9 & 11)**'s L-thru holes and using allen key **(I)** to tighten it. After that insert 4 x cap **(H3)**.
2. Fix panel **(9,10,11 & 12)** to panel **(13)** by inserting dowels **(A)** onto non-thru at panel **(13)** with allen key **(I)** to tighten 4 x screws **(G)** from the thru-holes of panel **(13)**. After that, insert 4 x cap **(H3)**.




HODEDAH®

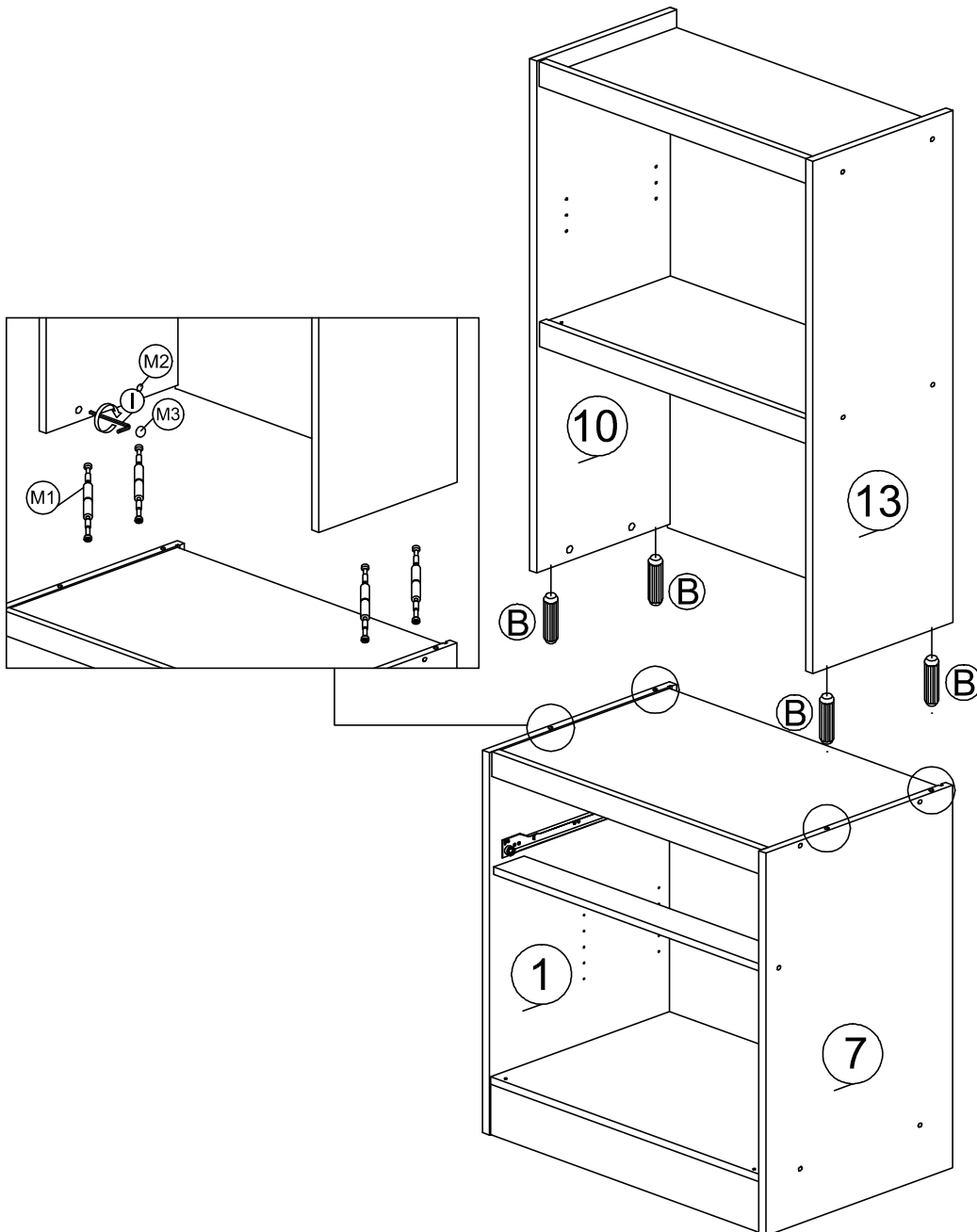
PART 2



HODEDAH®

STEP 12

M1		DOUBLE HEAD MINIFIX BOLT	4
M2		DOUBLE HEAD MINIFIX NUT	8
M3		DOUBLE HEAD MINIFIX CAP	8

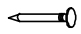


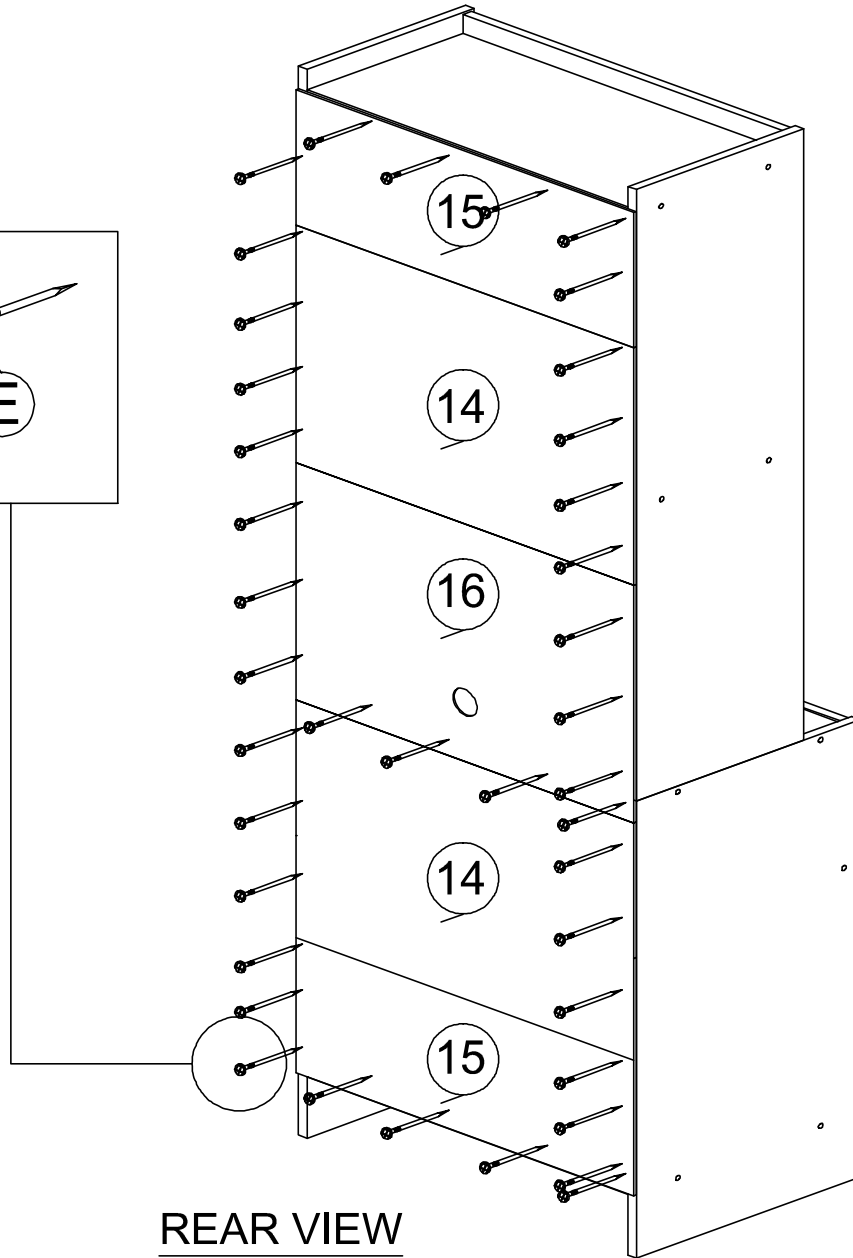
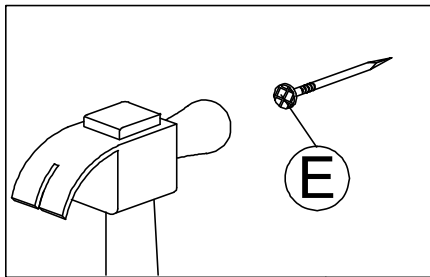
PART 2

PART 1

1. Insert dowel (B) and 4 x double head minifix (M1) into panel (10 & 13) and panel (1 & 7). Then fixing with minifix nut (M2) into panel (10 & 13) 's L-thru holes with allen key (I) to tighten it. After that, insert 8 x cap (M3).

STEP 13

E		NAIL 5/8	40
---	---	----------	----

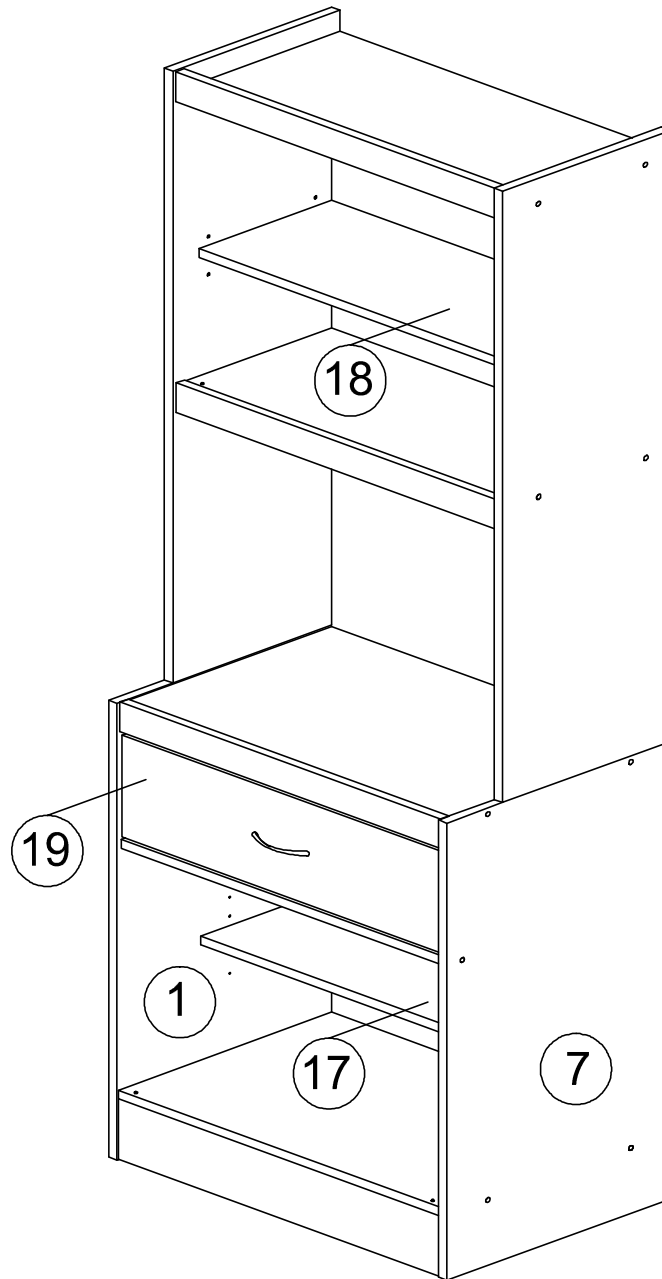


REAR VIEW

1. At face down position, place back panel **(14,15 & 16)** onto the back of the main unit, and align it properly for nailing. Use hammer to nail the nails **(E)** one by one on the line drawn and at center of 4 side edges. Cap between 2 nails should be about 100mm for all.

HODEDAH®

STEP 14

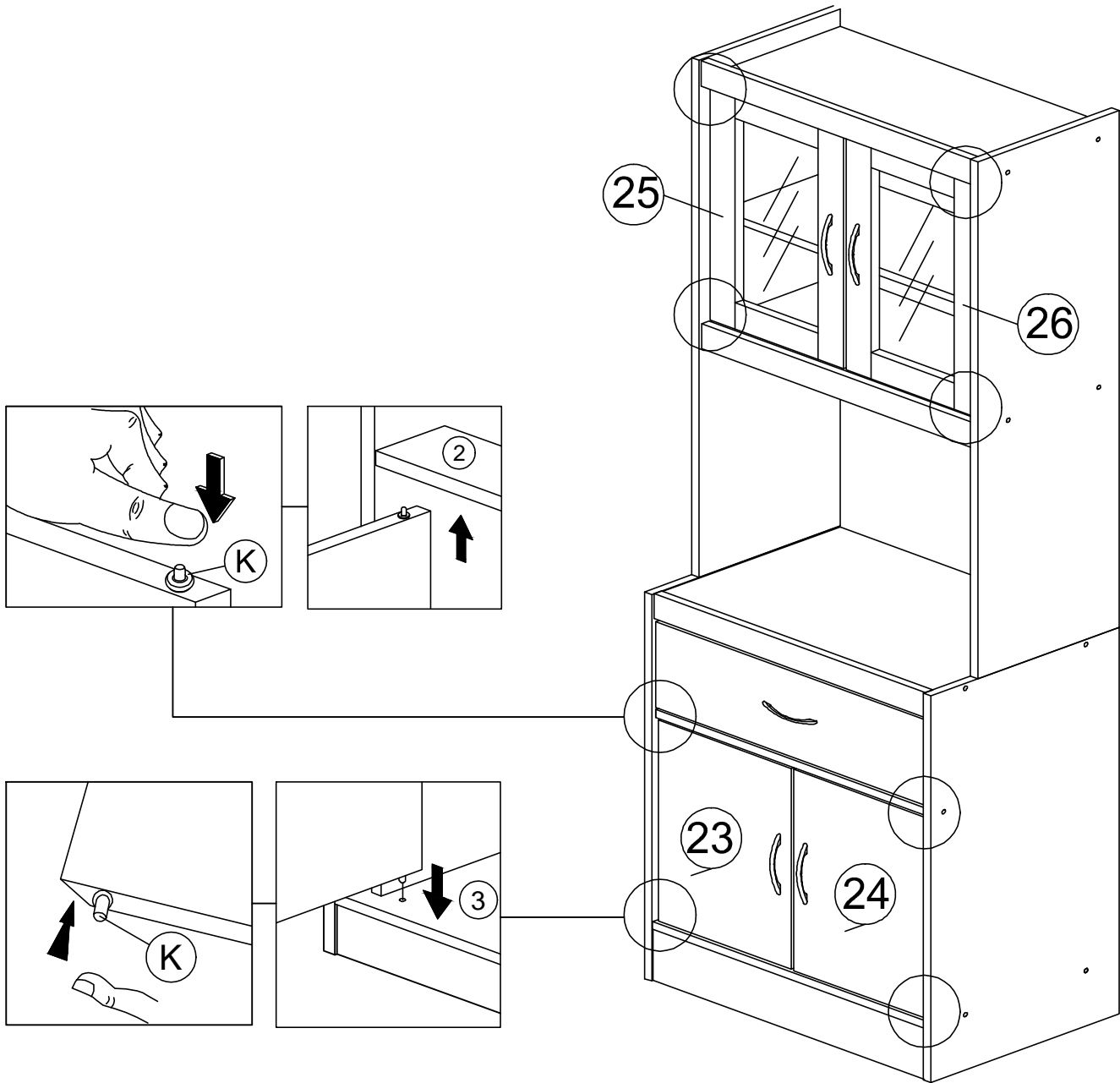


1. Take panel **(18)** and slide it on the 4 shelf support top as shown.
2. Slide in the drawer **(19)** by slotting the rollers at each end of drawer slide **(O2)** onto the rail of drawer slide **(O1)** fixed at panels **(1 & 7)**. Then slide the drawer in slowly.
3. Then take the movable shelf **(17)** and slide it on the 4 shelf support top as shown.

HODEDAH®

Step 15

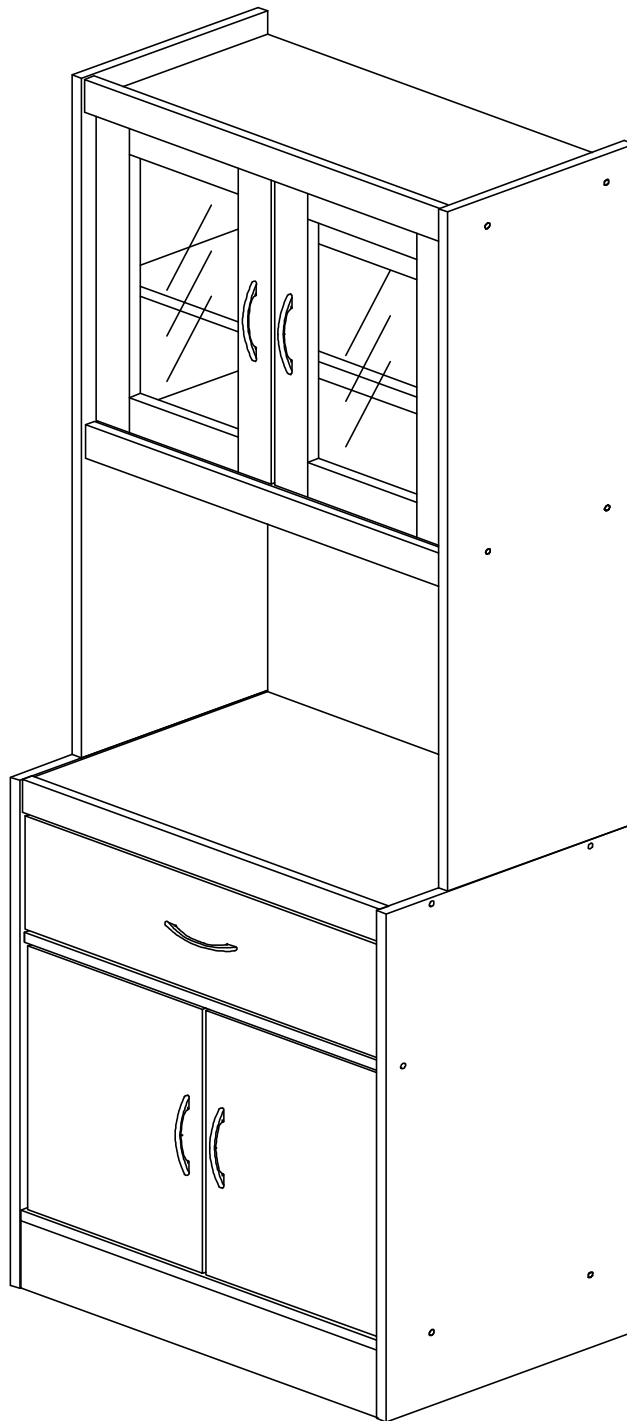
Final step...



1. Press door support spring (**K**) at the panels (**25 & 26**). Then insert to the each holes at bottom side of panel (**11**) and top side of panel (**9**).
2. Press door support spring (**K**) at the panels (**23 & 24**). Then insert to the each holes at bottom side of panel (**2**) and top side of panel (**3**).

HODEDAH®

Job Complete...



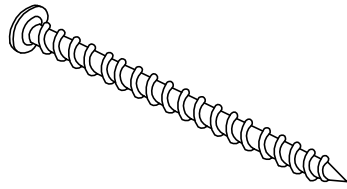
Enjoy & Thank you for purchasing from Hodedah!



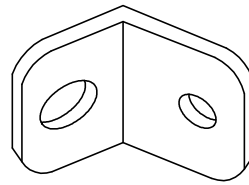
HODEDAH®

Installation of Anti-Tip Restraint

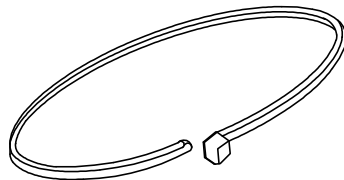
Kit includes:



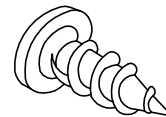
A (x2)
Long screw



B (x4)
Mounting bracket



C (x2)
Restraint strap



D (x2)
Short screw



WARNING



Serious or fatal crushing injuries can occur from furniture tip-over. To help Prevent tip-over:

- Install tip-over restraint provided
- Place heaviest items in the lower drawers
- Do not set TV's or other heavy objects on top of this product
- Never allow children to climb or hang on drawers, doors or shelves
- Never open more than one drawer at a time
- Do not defeat or remove the drawer interlock system

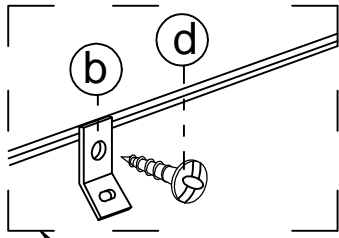
Use tip-over restraints may only reduce but not eliminate the risk of tip-over.

IMPORTANT: Use of this safety kit is mandatory. This restraint is not a substitute for proper adult supervision. Failure to detach this restraint before moving furniture may result in injury and damage. **If the safety kit is not in the box, please contact our consumer service team at Tel. 1 (718) 456 0505 or Email Support@Hodedah.com in order to obtain one before using the furniture.**

FITTING OF ANTI-TIP SAFETY STRAP

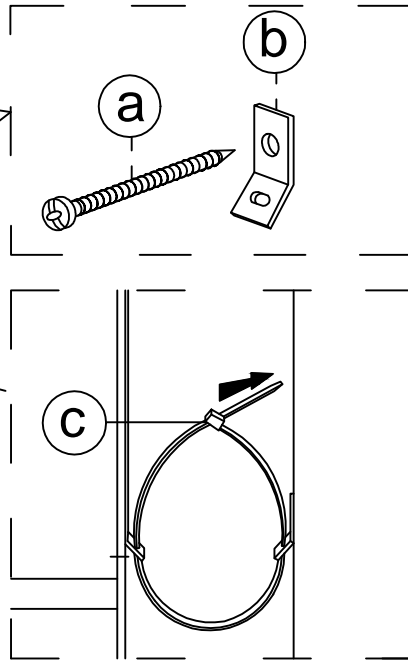
STEP 1:

- Attach the mounting bracket (b) to the furniture in the solid part below the top panel a few inches away from the side of the unit.
- Screw (d) through the smallest hole of (b).



STEP 2:

- Locate a stud in behind the have to
- Place the other mounting bracket (b) on the wall stud 2 inches below the mounting bracket secured to the back of your unit.
- Attach to the wall stud using (c) through the smaller hole of (b).



STEP 3:

- Repeat the same step a few inches away from the other side of the unit.
- Place the furniture into position so both mounting brackets are vertically in line.
- Lace the end of the restraint strap through the larger holes in each mounting bracket.
- Secure the straps and lock into place.

