

HODEDAH®

Assembly Instructions

This instruction booklet contains important safety information, please read and keep for future reference.

ITEM # HIK 93

Kitchen Stand Cabinet



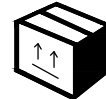
2 people



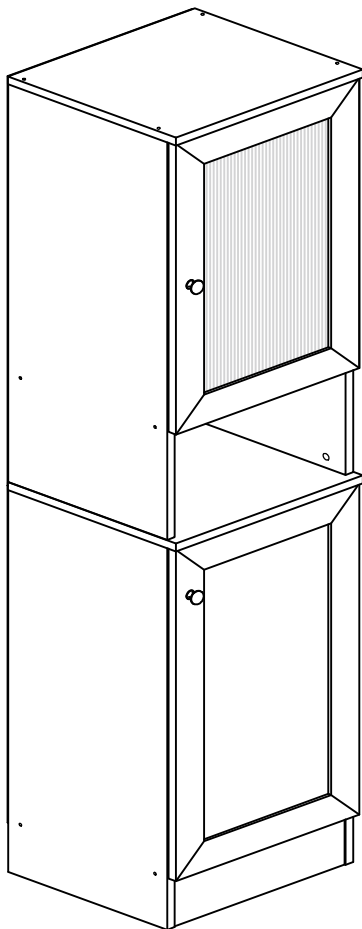
70 mins



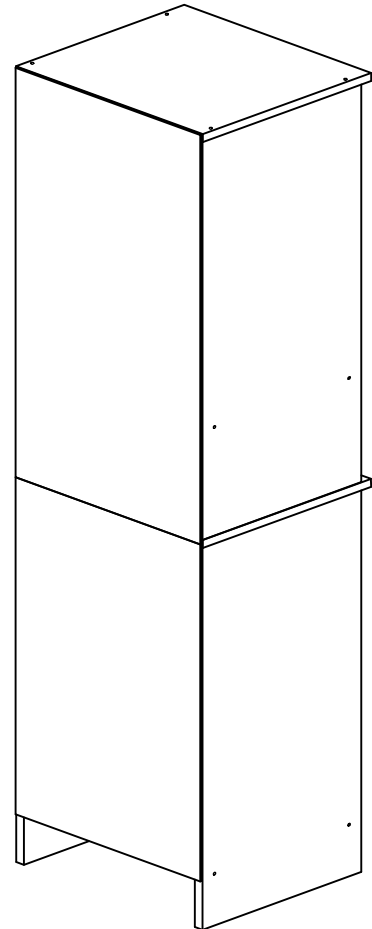
1 YR LTD



1 Box



FRONT VIEW



REAR VIEW

Product Dimensions : Height 62.9" x Width 15.7" x Depth 14.1"

HODEDAH®

Questions, need parts, we are here to help!



Phone

Mon - Fri | 9:30am to 5pm EST

1 - 855 - HODEDAH

1 - 855 - 463 - 3324



Email

Send us an email

Support@Hodedah.com



Website

Visit our website to open a case

www.Hodedah.com

FOR PROMPT, RELIABLE SERVICE PLEASE HAVE YOUR INSTRUCTION MANUAL READY



DO NOT RETURN PRODUCT TO THE STORE

If parts are missing or damaged please contact our customer service team and we will gladly ship your replacement parts FREE of charge within ONE YEAR of purchase!

WARRANTY

Hodedah warrants this product to be free from defect in materials and workmanship and agrees to remedy and such defect. This warranty covers one year from the date of original purchase. This is solely limited to replacement of defective parts and no assembly for labor is included. This warranty does not apply to any product that has been improperly assembled, subjected to misuse, abuse or which has been altered or repaired in any way. To obtain warranty service, original purchaser must present the following; original bill of sale, date of purchase, where the product was purchased and images if applicable. Components replaced warranted through the remainder of the original warranty only. The defective part will be replaced without charge, subject to the terms and conditions described above.

WARNING

- This product contains small parts, keep away from children.
- This product contains plastic bags, keep away from children.
- Serious or fatal crushing injuries can occur from furniture tip-over. To help prevent this, place heaviest items on the lower shelves and drawers. Do not set heavy object on top shelves and drawers.
- Never allow children to climb or hang on drawers, shelves and doors.
- Never open more than one drawer at a time.
- The use of tip-over restraints may reduce but not eliminate the risk of tip-over.

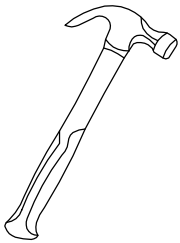
HODEDAH®

Let's get started...

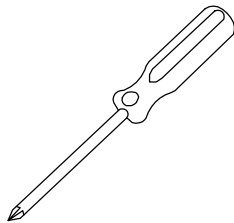
Helpful hints, read before beginning assembly

- Make sure you receive all boxes. if your item is packed in one box, box count will read 1 of 1, likewise if your item is packed in two boxes, box count will read 1 of 2 and second box will read 2 of 2.
- Read each step carefully. It is very important that each step is performed in the correct order. If these steps are not followed in sequence, assembly difficulties will occur.
- Work in a spacious level area, preferably carpet, near the place the unit will be used.
- **DO NO USE** power tools to assemble your furniture, it will strip and damage parts.
- Your package should include the following hardware and parts. Parts are labeled or stamped on the raw edge. Please inspect contents to ensure you have received all components. **If you are missing any hardware or parts please contact customer service right away before assembly.**

Assembly Tools Required (not supplied)



Hammer



Philips Screwdriver



Tape Measure




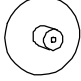
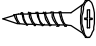
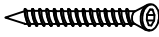



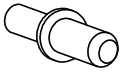
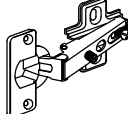
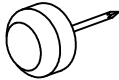
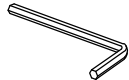


No Power Tools Needed

Product Care and Maintenance

- Wipe clean with dry soft cloth, never use chemicals or cleaning products they will damage the finish.
- Avoid placing your furniture in direct sunlight, as sunlight causes fading.
- Never push, drag or pull your furniture, to move to a new location carefully with two or more people carry the unit to its new location.
- Avoid extreme changes in temperature by arranging furniture away from radiators, heat and air vents and air conditioning units.

Hardware List

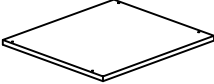



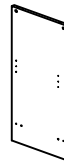
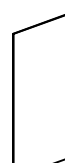

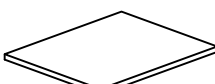
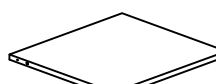
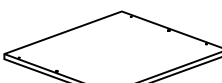
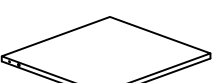

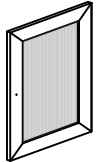
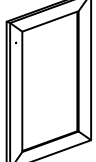
A  M8X25MM	QTY 22 Pcs	B1  Minifix Bolt	QTY 8 Pcs	B2  Minifix Nut	QTY 8 Pcs
B3  Minifix Cap	QTY 20 Pcs	C  M3.5X16MM	QTY 16 Pcs	D  M6X50MM	QTY 12 Pcs
E1  Handle 9200 (PVC)	QTY 2 Pcs	E2  M4X25MM	QTY 2 Pcs	F  Nail 5/8	QTY 26 Pcs
G  Shelf Support	QTY 8 Pcs	H  Hinges 5/8	QTY 4 Pcs	I  PVC Nail With Pin 5/8	QTY 4 Pcs
J  Allen Key	QTY 1 Pcs				

Important

1. Before you throw the package, please use the Check Box to identify the parts and hardware to ensure that you have everything you need.
2. Check and measure the bolts before applying them to parts.
3. Do not completely tighten all hardware until the entire assembly is complete, unless indicated otherwise.

HODEDAH®

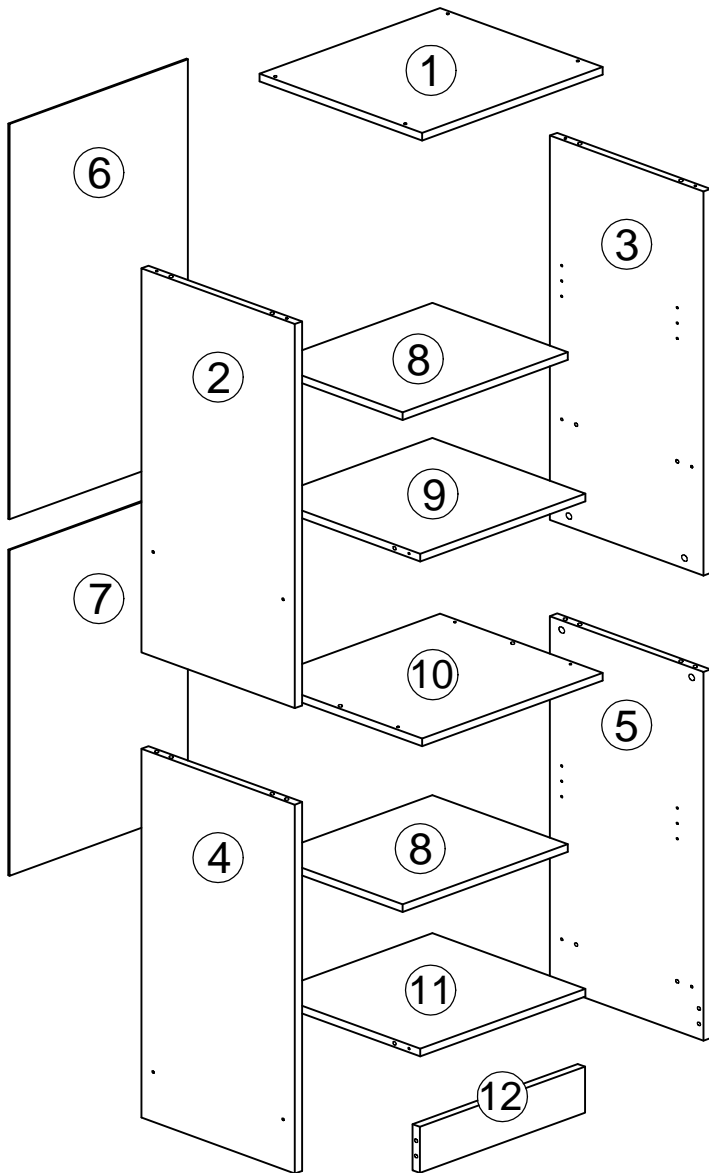
Parts List

<p>1</p>  <p>400x360x15mm</p>	<p>QTY</p> <p>1 Pcs</p>	<p>2</p>  <p>800x340x15mm</p>	<p>QTY</p> <p>1 Pcs</p>	<p>3</p>  <p>800x340x15mm</p>	<p>QTY</p> <p>1 Pcs</p>
<p>4</p>  <p>768x340x15mm</p>	<p>1 Pcs</p>	<p>5</p>  <p>768x340x15mm</p>	<p>1 Pcs</p>	<p>6</p>  <p>823x395x2.5mm</p>	<p>1 Pcs</p>
<p>7</p>  <p>678x395x2.5mm</p>	<p>1 Pcs</p>	<p>8</p>  <p>366x300x15mm</p>	<p>2 Pcs</p>	<p>9</p>  <p>366x339x15mm</p>	<p>1 Pcs</p>
<p>10</p>  <p>400x360x15mm</p>	<p>1 Pcs</p>	<p>11</p>  <p>366x339x15mm</p>	<p>1 Pcs</p>	<p>12</p>  <p>366x96x15mm</p>	<p>1 Pcs</p>
<p>13</p>  <p>584x392x15mm</p>	<p>1 Pcs</p>	<p>14</p>  <p>666x392x15mm</p>	<p>1 Pcs</p>		

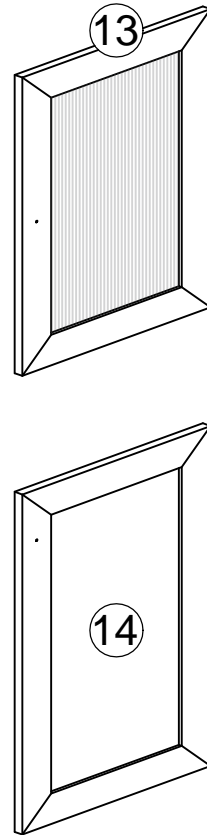
HODEDAH®

The Breakdown...

I) Main Unit :



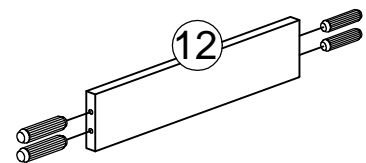
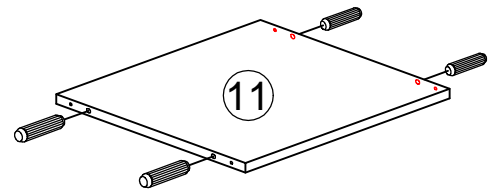
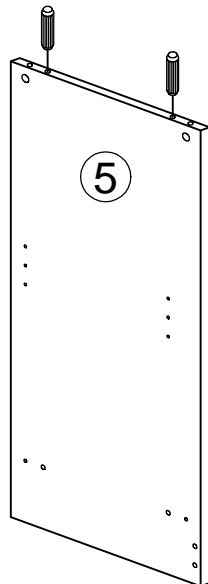
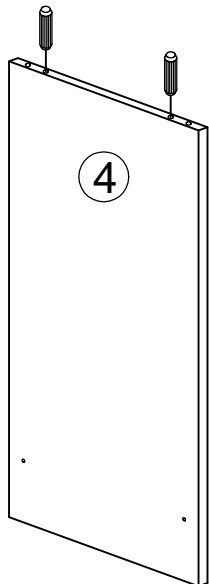
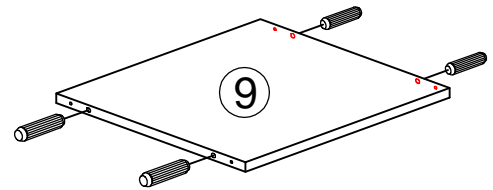
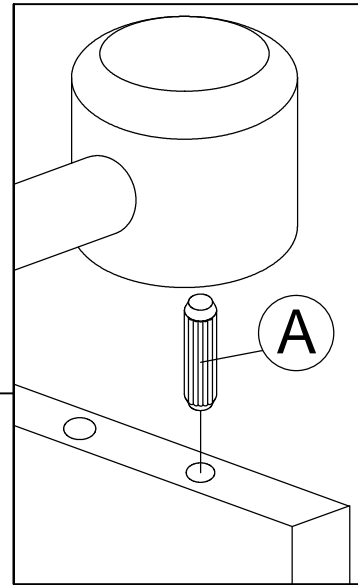
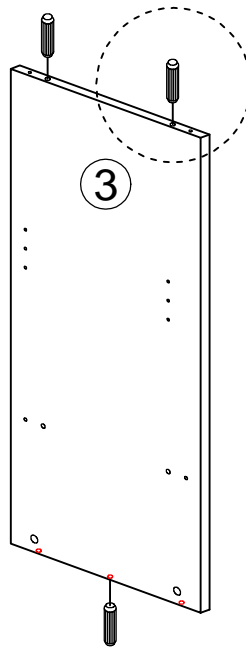
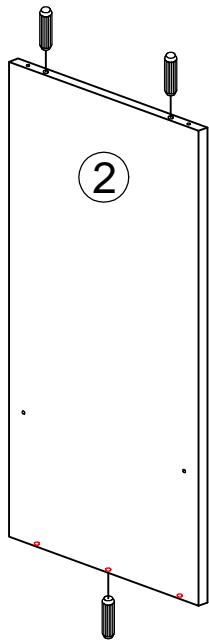
II) Door & Drawer :



HODEDAH®

Step 1

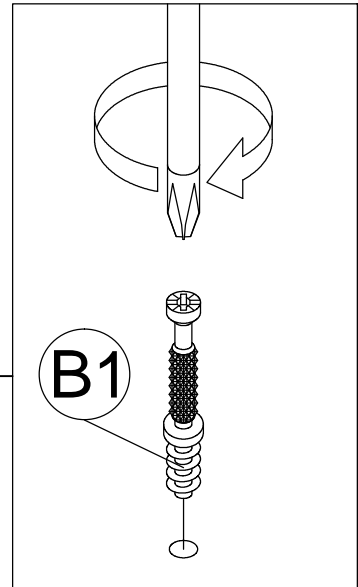
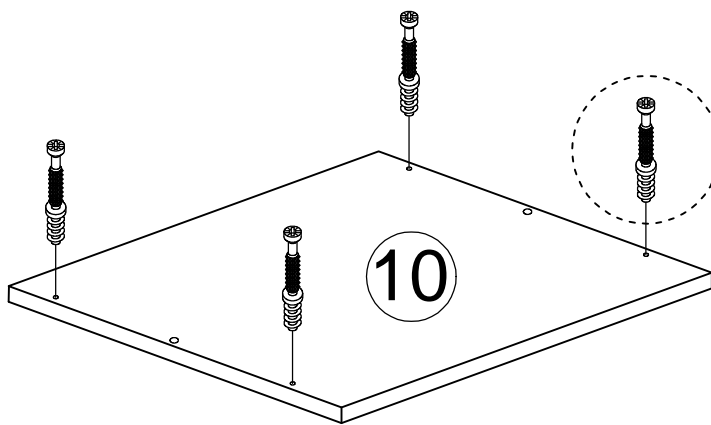
A	 WOOD DOWEL M8x25MM	22
---	--	----



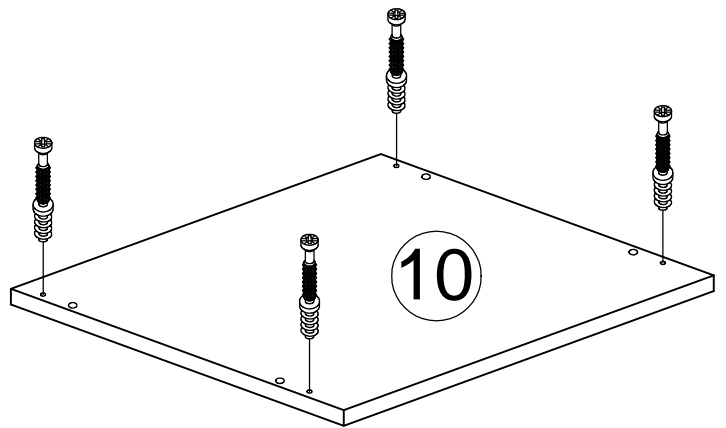
1. Insert 22 x Wood Dowels (A) into panel (2,3,4,5,9,11 & 12).

Step 2

B1		MINIFIX BOLT	8
----	---	--------------	---



TOP VIEW

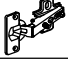




BOTTOM VIEW

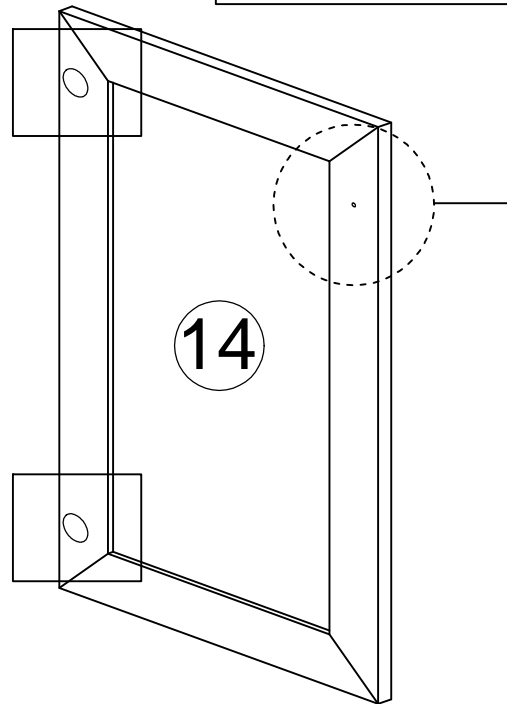
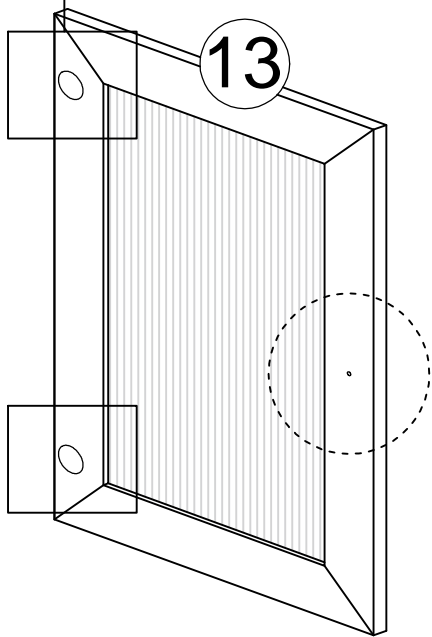
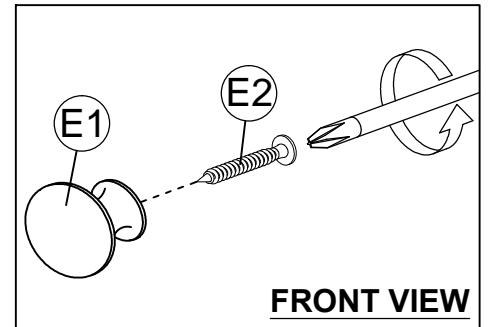
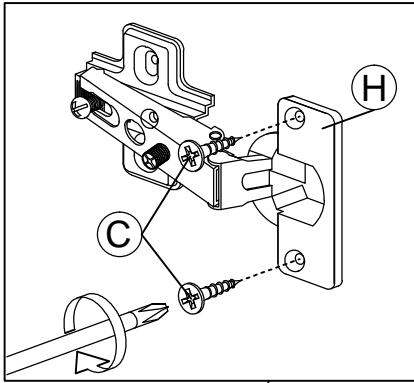
1. Tighten 8x Minifix Bolt (B1) onto top and bottom side of panel (10) with 4x Minifix Bolt (B1) onto each side of panel (10) (**As Shown**).

HODEDAH®

Step 3

C		CB SCREW M3.5X16MM	8
H		HINGES 5/8	4

E2		CB SCREW M4X25MM	2
E1		HANDLE 9200 (PVC)	2

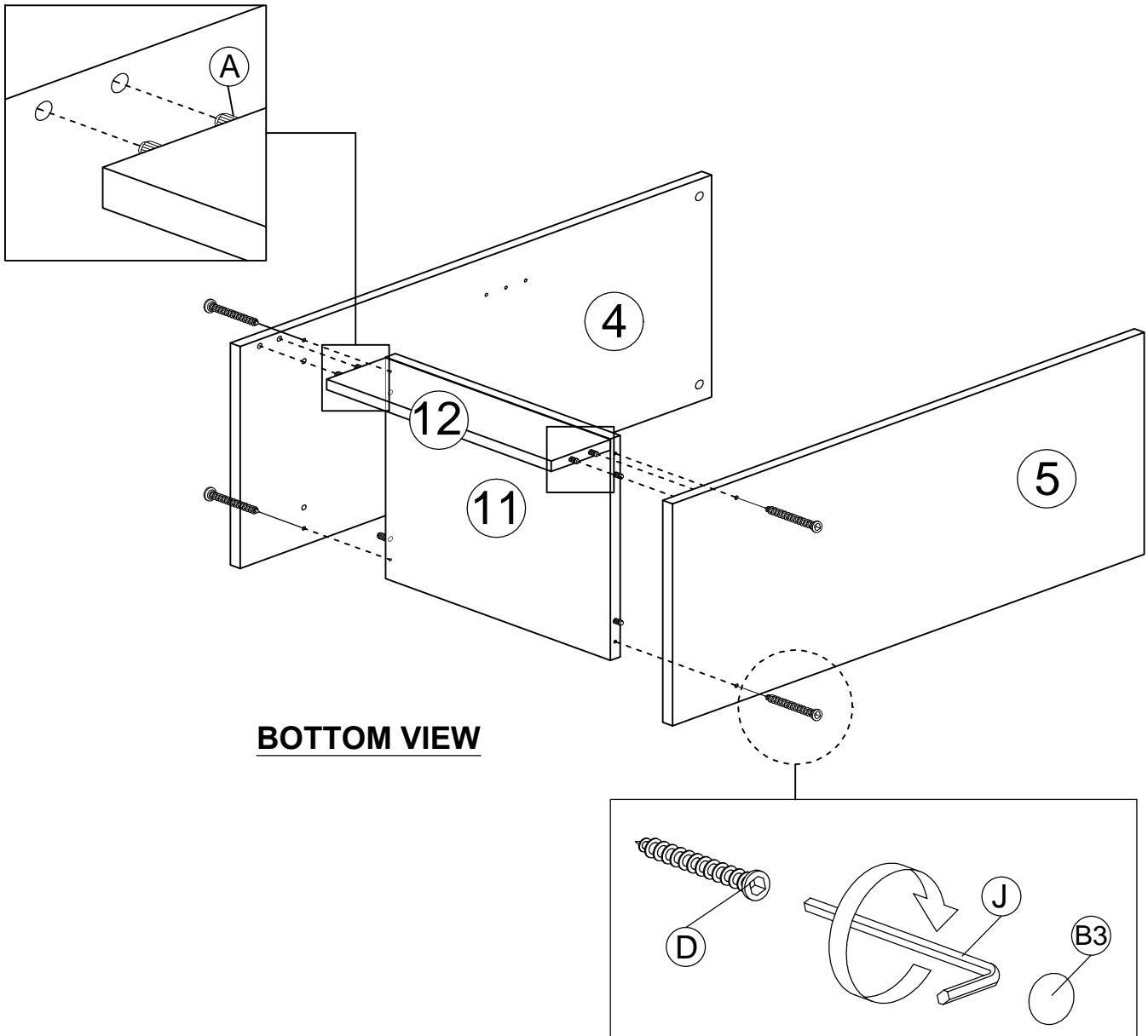


BACK VIEW

1. Tighten handle (E1) onto front side of door panel (13 & 14) with CB Screw M4x25mm (E2) using screwdriver. **(As Shown)**
2. Fix Hinges (H) onto door panel (13 & 14) back view with CB Screw M3.5x16mm (C) using screwdriver.

Step 4

D		CSK CAP WOOD M6X50MM	4
B3		MINIFIX CAP	4
J		ALLEN KEY	1



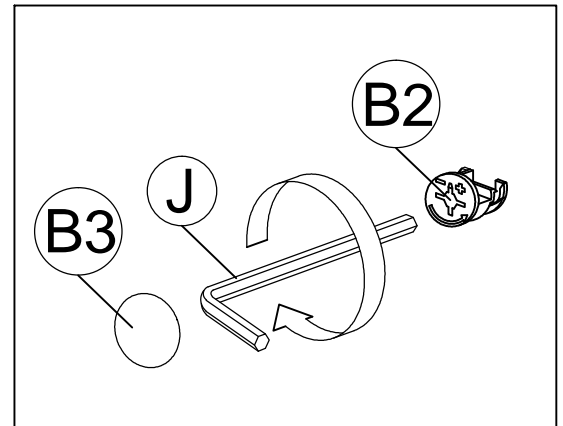
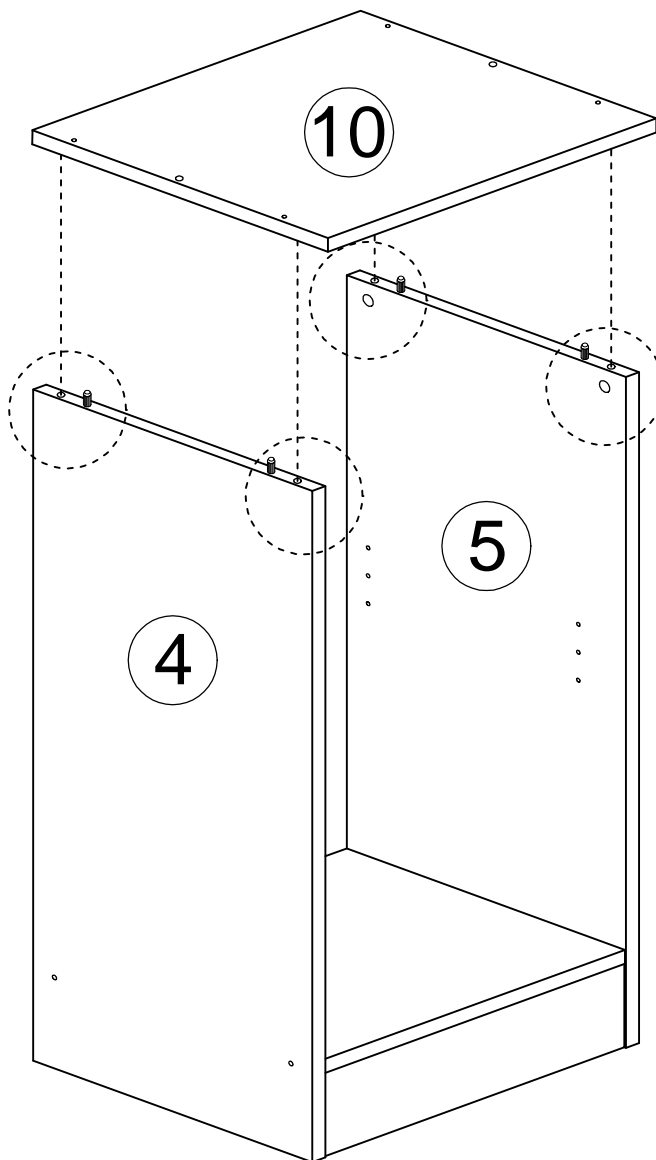
BOTTOM VIEW

1. Fix panel (11 & 12) to panel (4 & 5) by using dowels (A) onto non-thru holes at panel (4 & 5) and tighten 4x CSK M6x50mm (D) from the thru-holes of panel (4 & 5) with Allen Key (J). After that insert 4x cap (B3).

HODEDAH®

Step 5

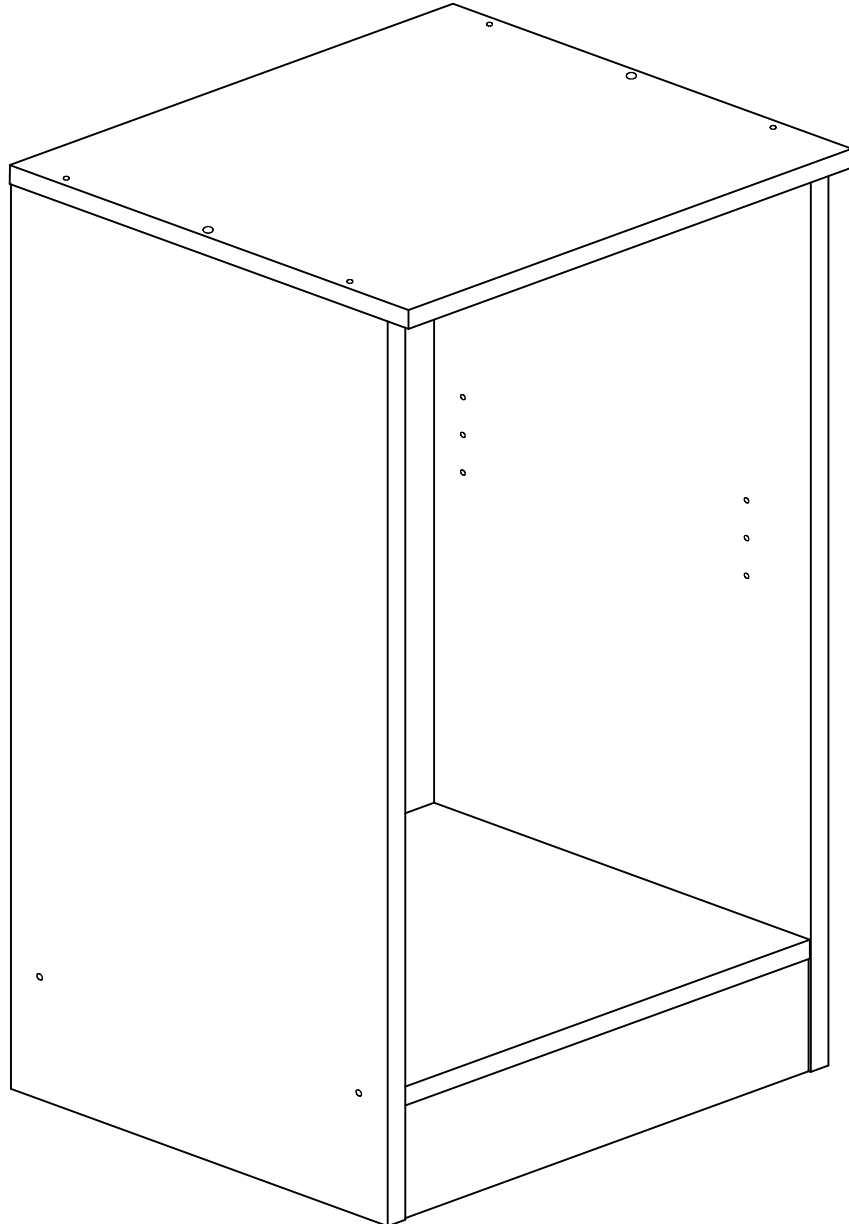
B2		MINIFIX NUT	4
B3		MINIFIX CAP	4
J		ALLEN KEY	1



1. Fix panel (10) to panel (4 & 5) by inserting dowel (A) onto non-thru holes at panel (4 & 5). Then insert 4 x Minifix Nut (B2) into panel (4 & 5) 's L-thru holes and using Allen Key (J) to tighten it. After that insert 4 x cap (B3).

HODEDAH®

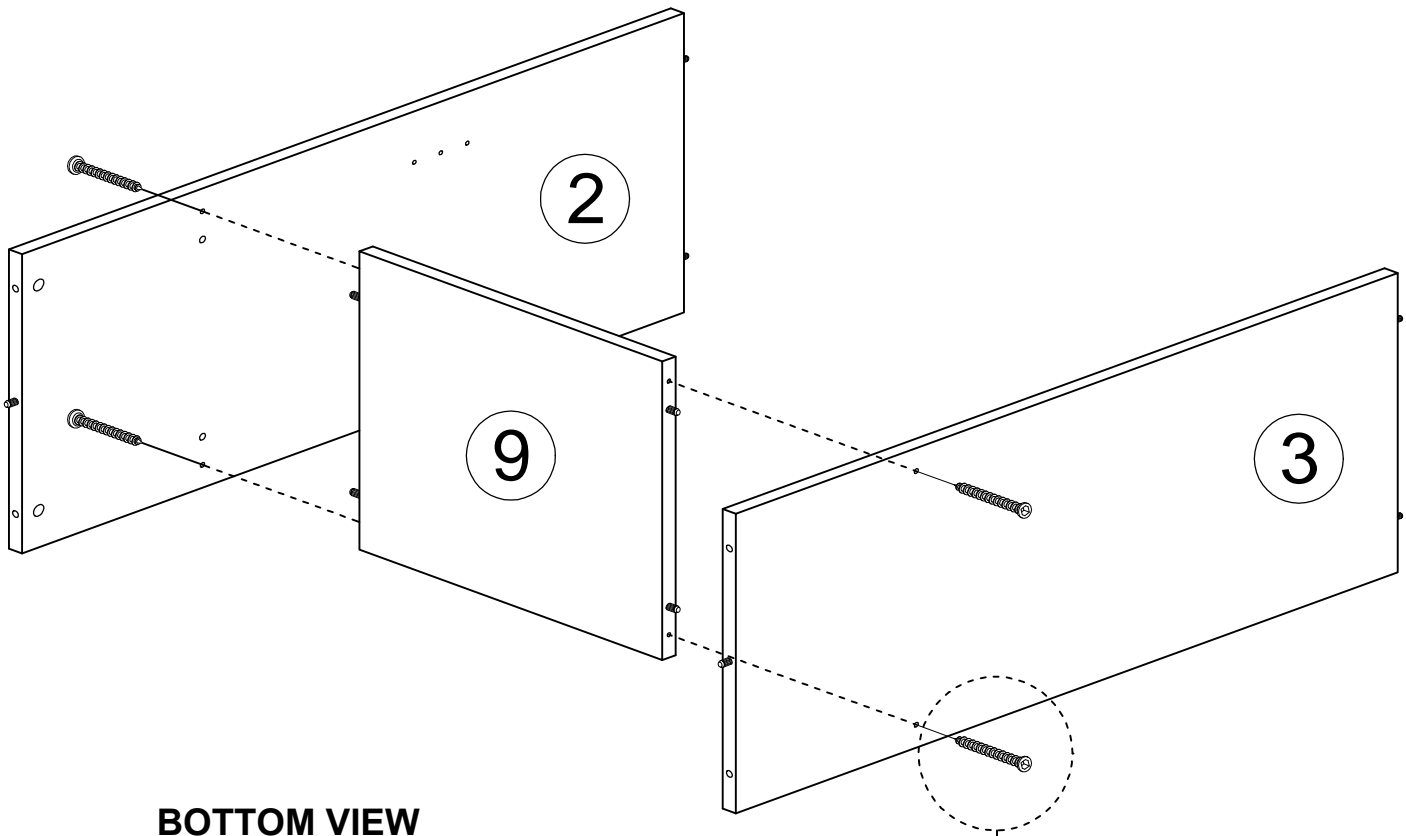
Part 1



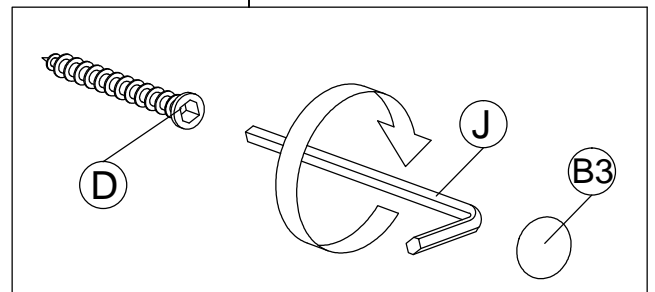
HODEDAH®

Step 6

D		CSK CAP WOOD M6X50MM	4
B3		MINIFIX CAP	4
J		ALLEN KEY	1



BOTTOM VIEW

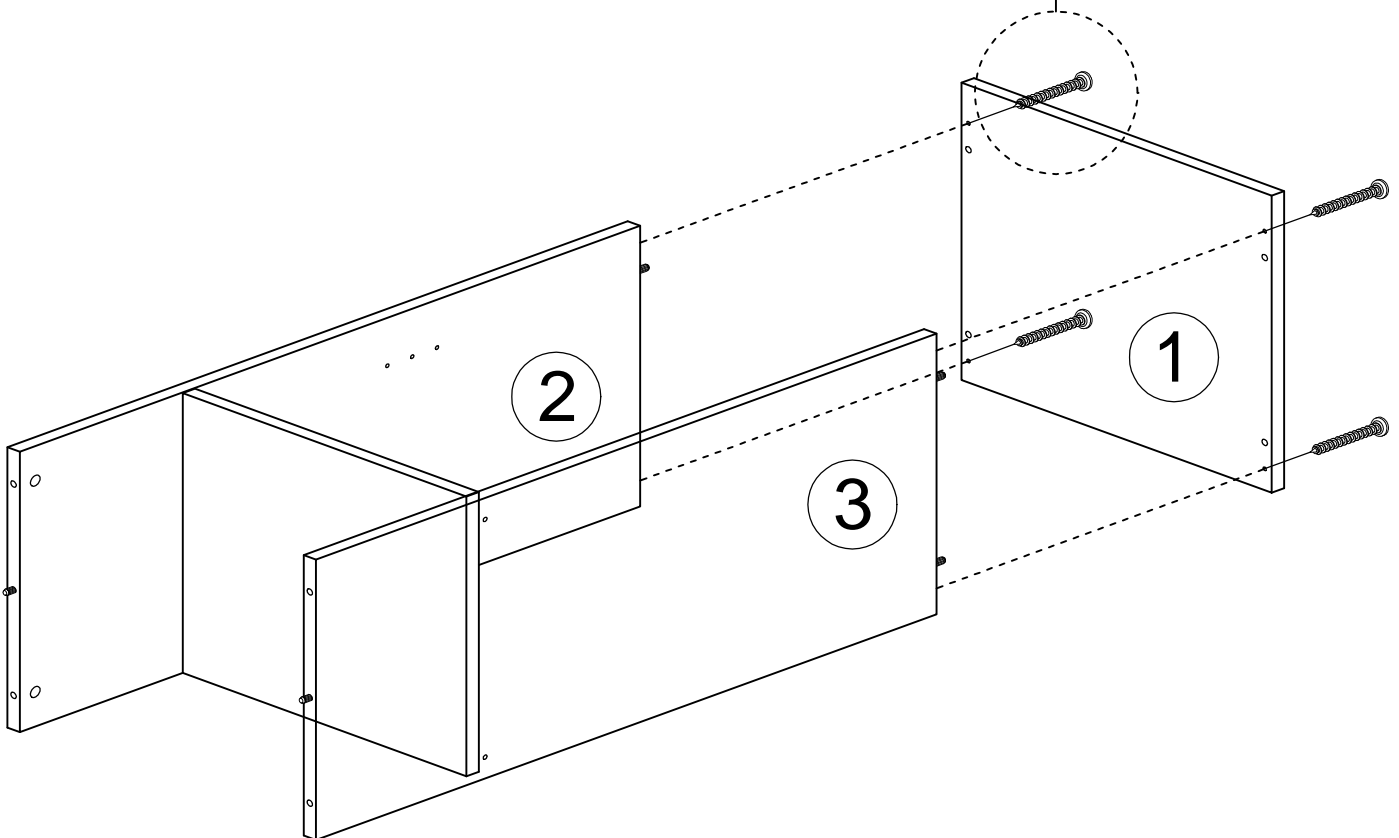
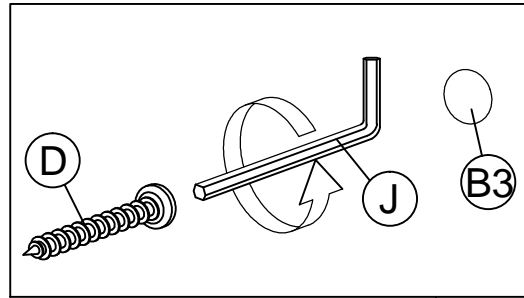


1. At bottom view position, fix panel (9) to panel (2 & 3) by using dowels (A) onto non-thru holes at panel (2 & 3) and tighten 4x CSK M6x50mm (D) from the thru-holes of panel (2 & 3) with Allen Key (J). After that insert 4x cap (B3).

HODEDAH®

Step 7

D		CSK CAP WOOD M6X50MM	4
B3		MINIFIX CAP	4
J		ALLEN KEY	1

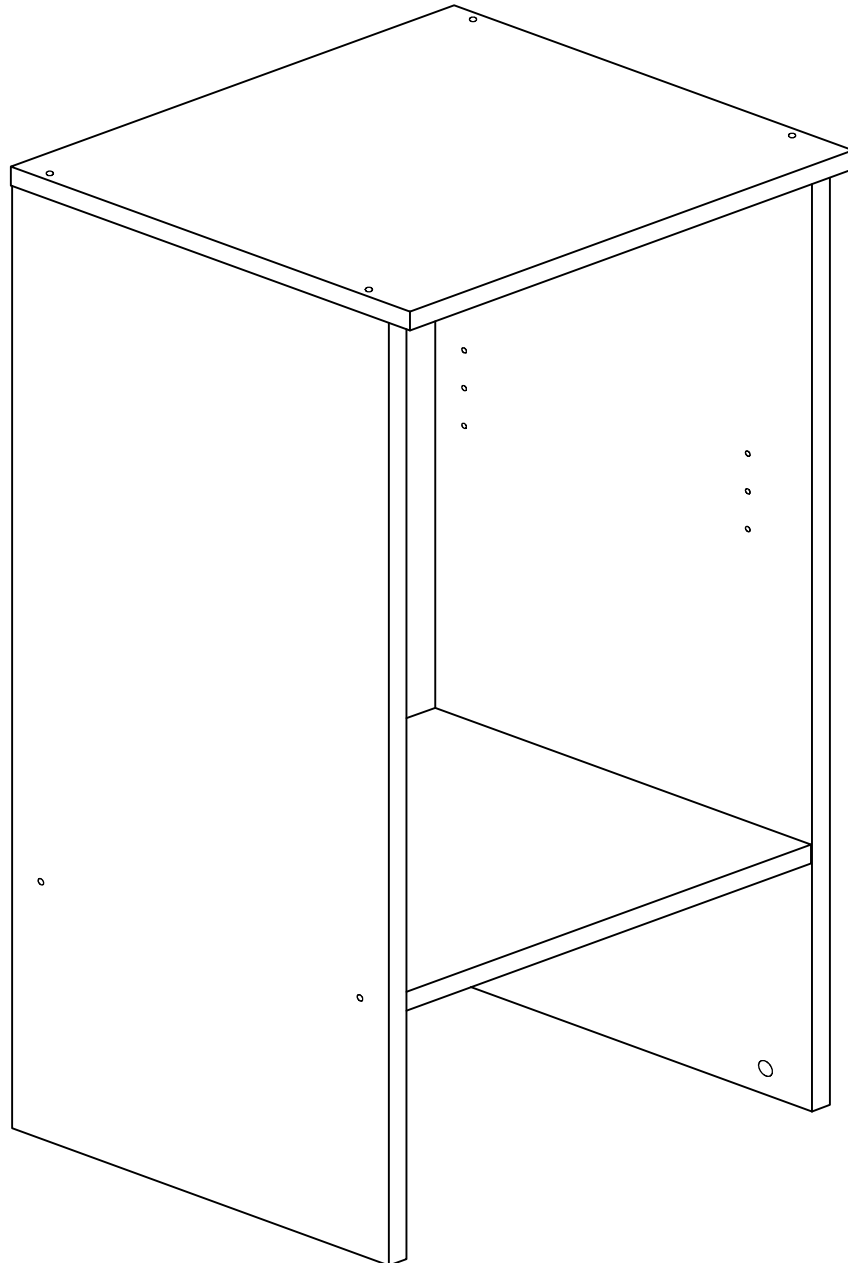


BOTTOM VIEW

1. Fix top panel (1) to panel (2 & 3) with 4x CSK M6x50mm (D) using Allen Key (J). After that, insert 4x cap (B3).

HODEDAH®

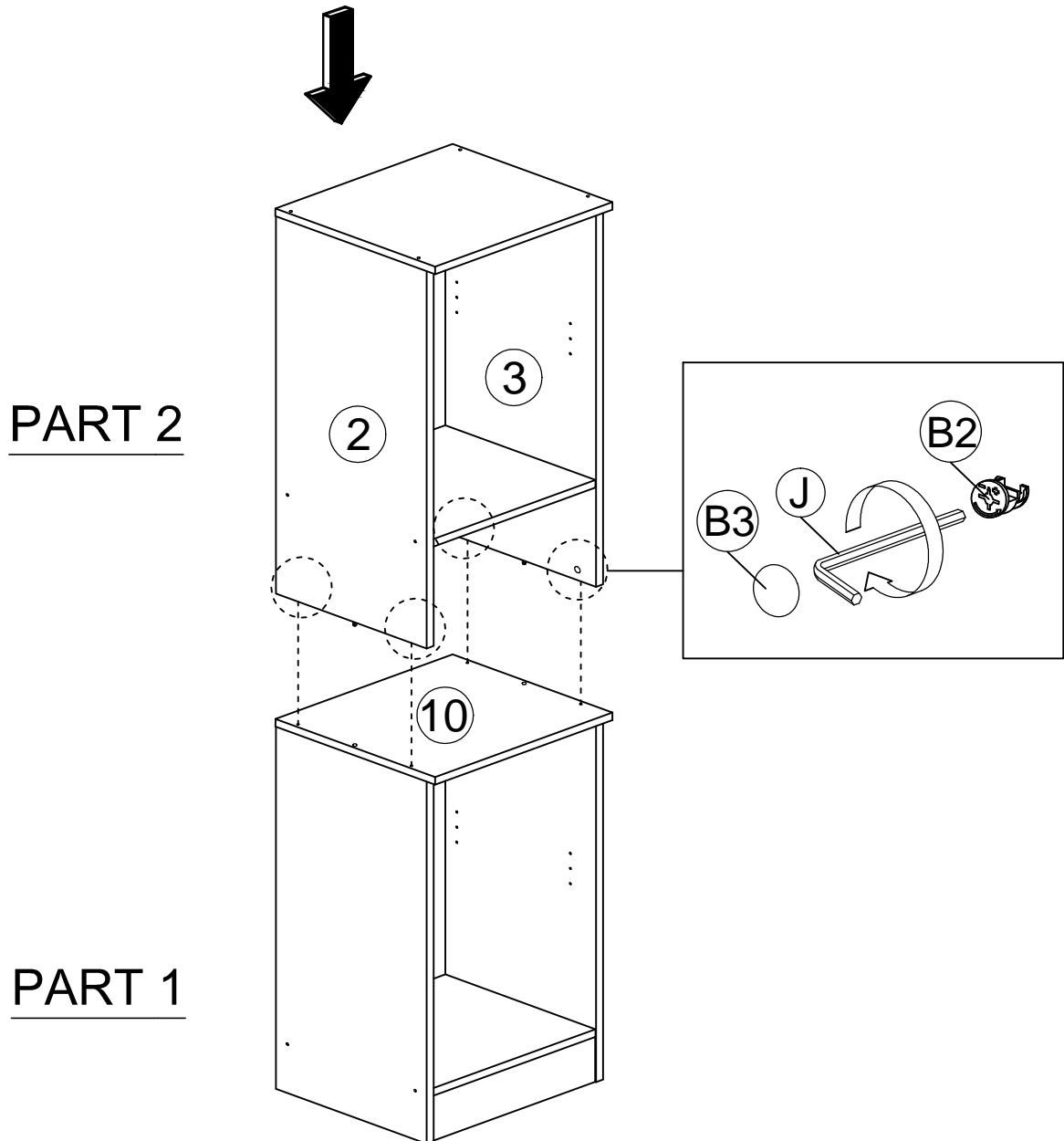
Part 2



HODEDAH®

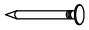

Step 8

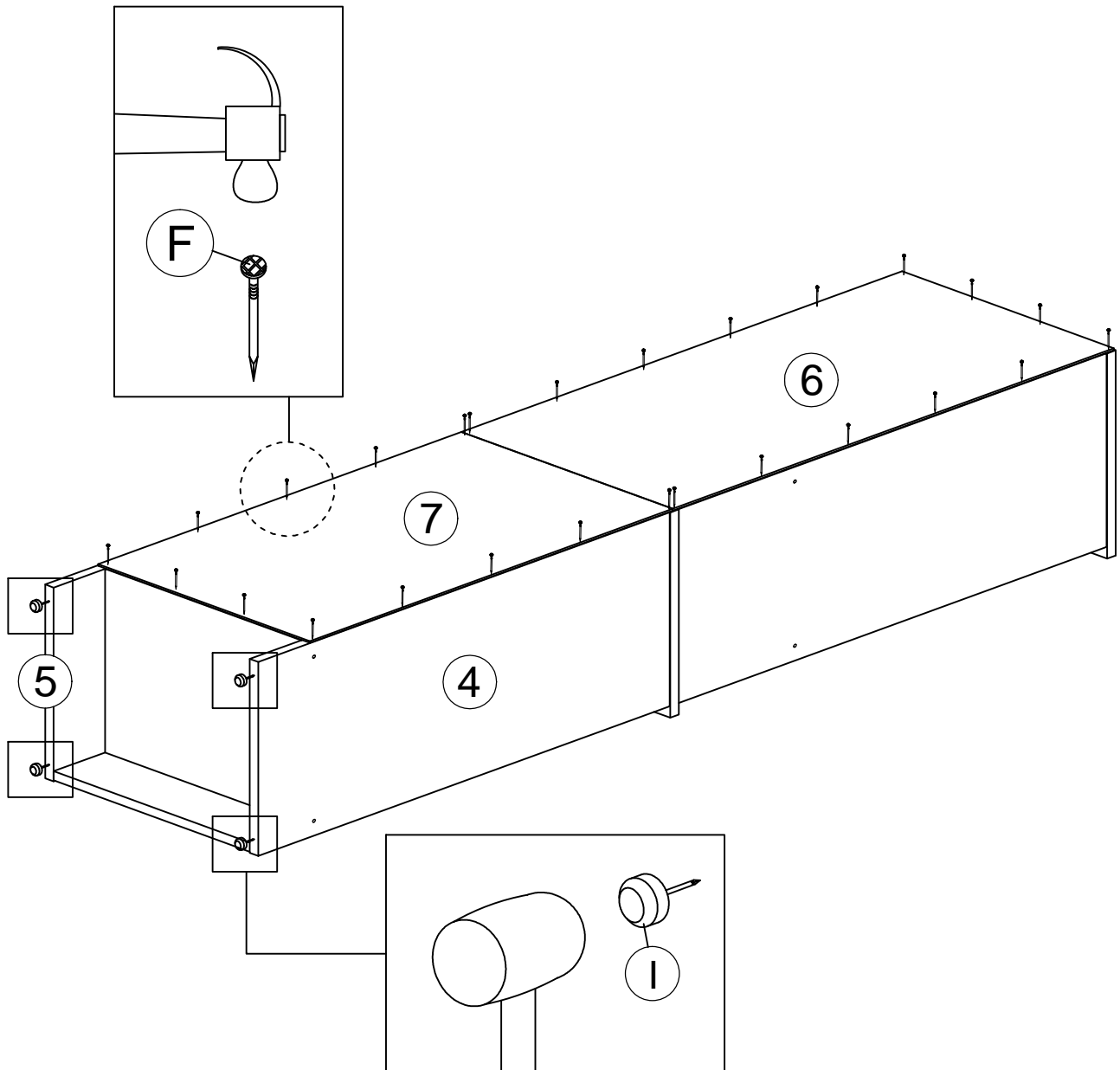
B2		MINIFIX NUT	4
B3		MINIFIX CAP	4
J		ALLEN KEY	1



1. Fix panel (2 & 3) to panel (10) by inserting dowel (A) onto 2x Dowel holes at panel (10). Then insert 4x Minifix Nut (B2) into panel (2 & 3) 's L-thru holes with Allen Key (J) to tighten it. After that insert 4 x cap (B3).

Step 9

F		NAIL 5/8	26
I		PVC NAIL WITH PIN 5/8	4

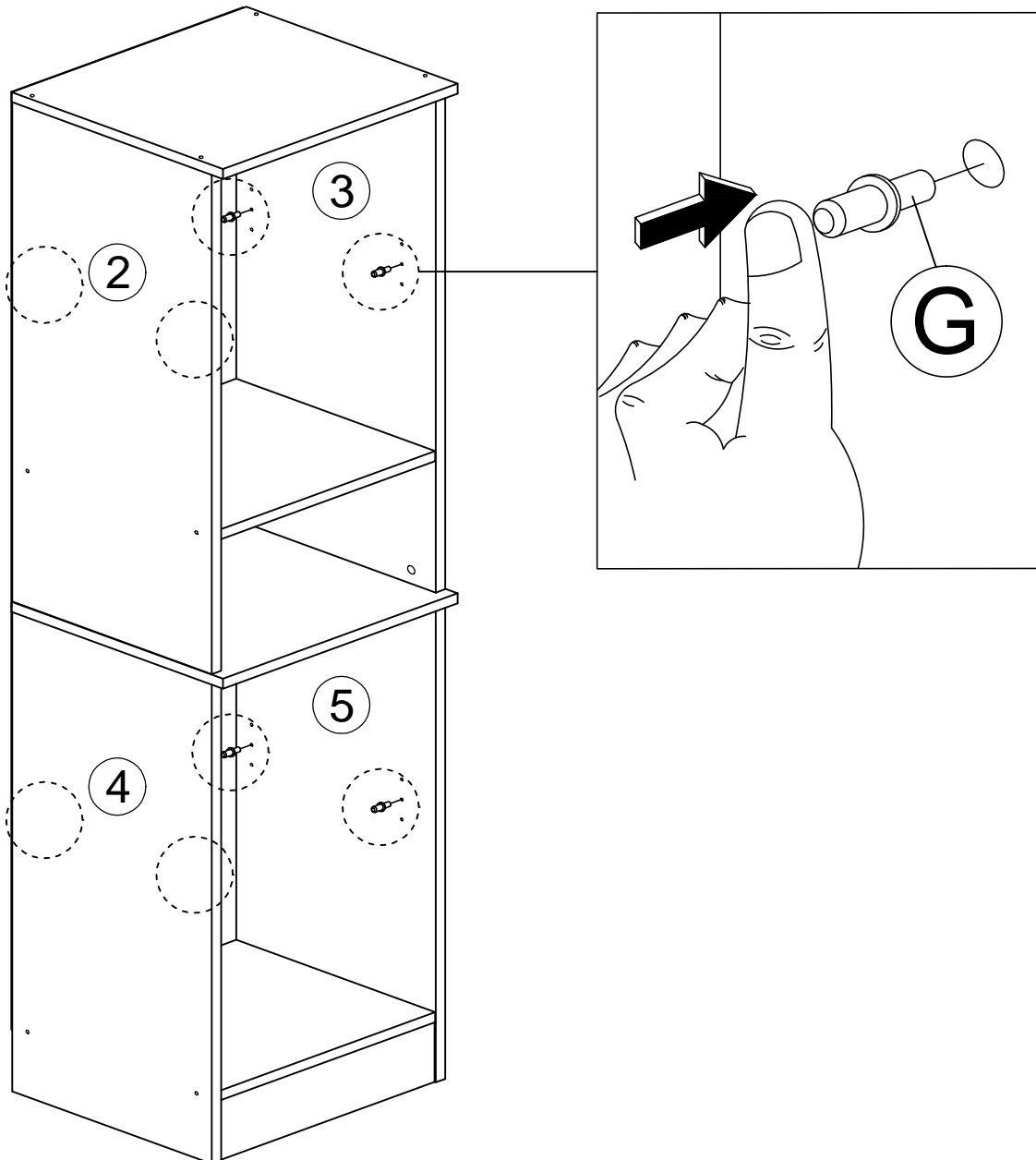


1. At face down position, place 2x panel (**6 & 7**) onto the back of the main unit and align it properly for nailing. Use hammer to nail the Nails (**F**) one by one (**As Shown**) at center of 4 side edges.
2. Then, fix 4x PVC Nail (**I**) onto bottom of side panel (**4 & 5**) with 2x PVC Nail (**I**) on each side panel (**4 & 5**).

HODEDAH®

Step 10

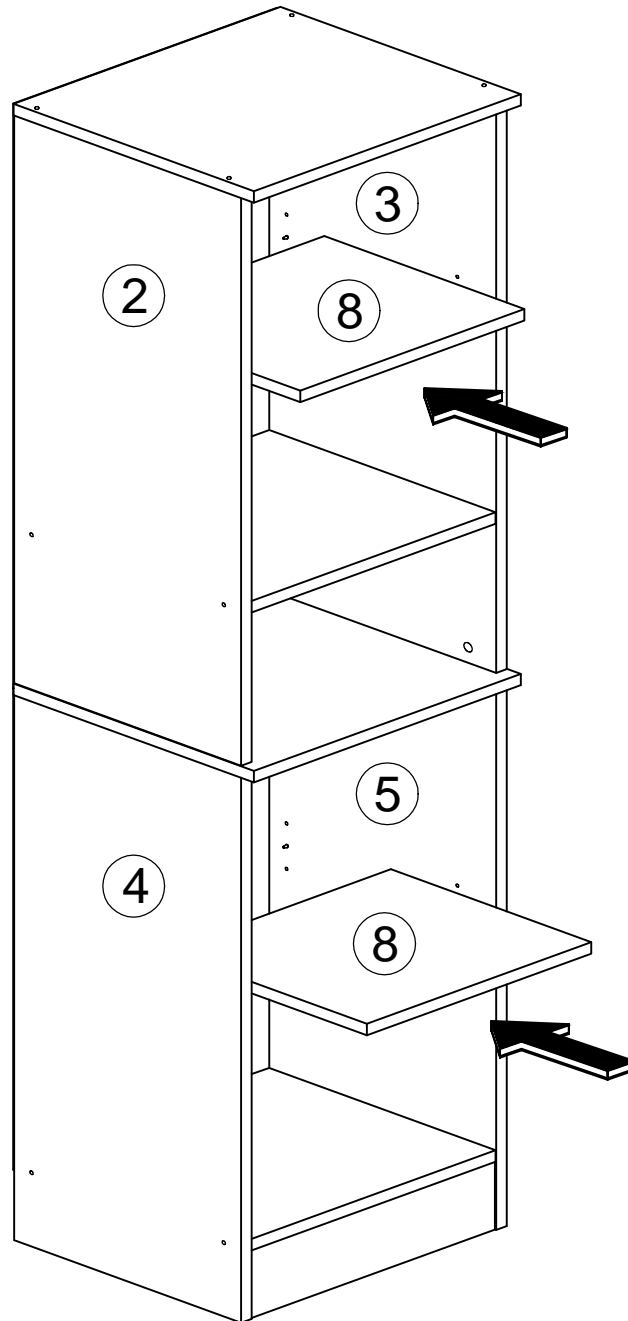
G		SHELF SUPPORT	8
---	---	---------------	---



1. Insert 8 x Shelf Support (**G**) into panel (**2,3,4 & 5**).

HODEDAH®

Step 11



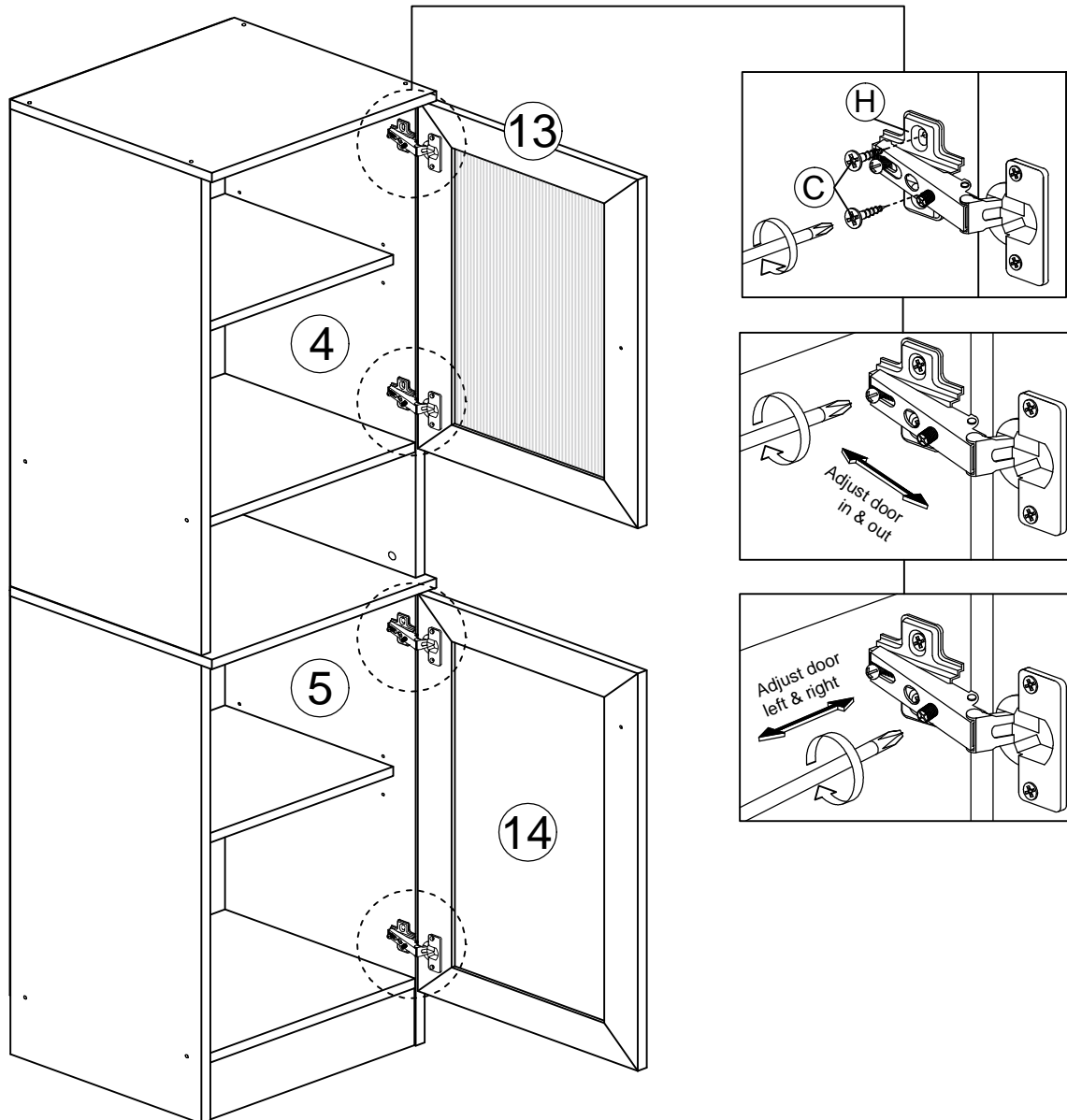
1. Slide it panel **(8)** between panel **(2 & 3)**.
2. Slide it panel **(8)** between panel **(4 & 5)**.

HODEDAH®

Step 12

Final step...

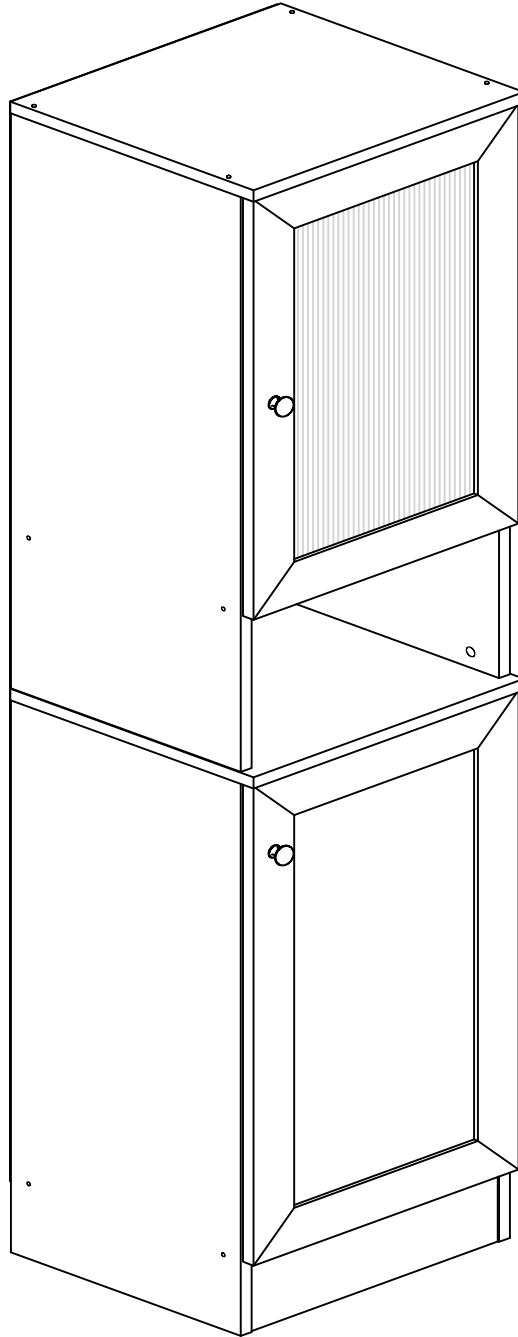
C		CB SCREW M3.5X16MM	8
---	---	--------------------	---



1. Attach door panels (13 & 14) to panel (4 & 5) with Hinges (H) by using 8x CB Screws M3.5x16mm (C) with screwdriver.

HODEDAH®

Job Complete...



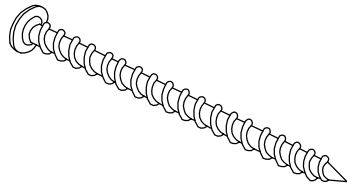
Enjoy & Thank you for purchasing from Hodedah!



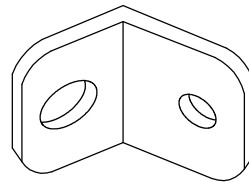
HODEDAH®

Installation of Anti-Tip Restraint

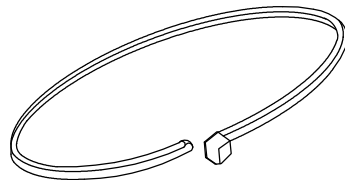
Kit includes:



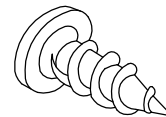
A (x2)
Long screw



B (x4)
Mounting bracket



C (x2)
Restraint strap



D (x2)
Short screw



WARNING



Serious or fatal crushing injuries can occur from furniture tip-over. To help Prevent tip-over:

- Install tip-over restraint provided
- Place heaviest items in the lower drawers
- Do not set TV's or other heavy objects on top of this product
- Never allow children to climb or hang on drawers, doors or shelves
- Never open more than one drawer at a time
- Do not defeat or remove the drawer interlock system

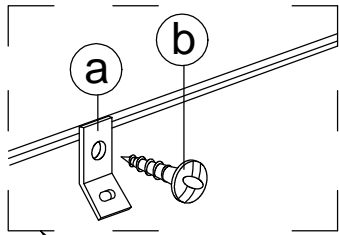
Use tip-over restraints may only reduce but not eliminate the risk of tip-over.

IMPORTANT: Use of this safety kit is mandatory. This restraint is not a substitute for proper adult supervision. Failure to detach this restraint before moving furniture may result in injury and damage. **If the safety kit is not in the box, please contact our consumer service team at Tel. 1 (718) 456 0505 or Email Support@Hodedah.com in order to obtain one before using the furniture.**

FITTING OF ANTI-TIP SAFETY STRAP

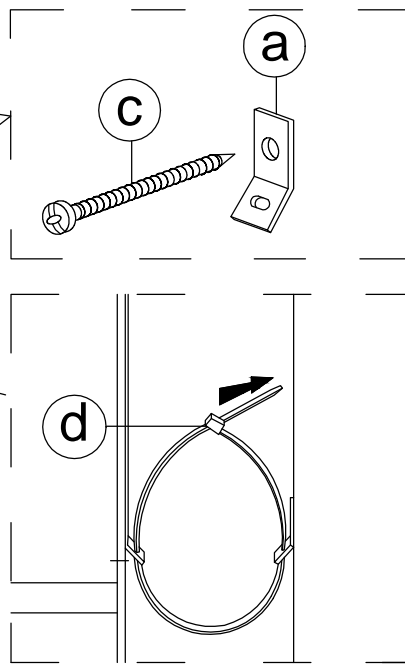
STEP 1:

- Attach the mounting bracket (a) to the furniture in the solid part below the top panel a few inches away from the side of the unit.
- Screw (b) through the smallest hole of (a).



STEP 2:

- Locate a stud in behind the have to
- Place the other mounting bracket (a) on the wall stud 2 inches below the mounting bracket secured to the back of your unit.
- Attach to the wall stud using (c) through the smaller hole of (a).



STEP 3:

- Repeat the same step a few inches away from the other side of the unit.
- Place the furniture into position so both mounting brackets are vertically in line.
- Lace the end of the restraint strap through the larger holes in each mounting bracket.
- Secure the straps and lock into place.

