

# HODEDAH®

## Assembly Instructions

This instruction booklet contains important safety information, please read and keep for future reference.

### ITEM # HIK 92-T (MOP)

KITCHEN CABINET



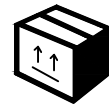
2 people



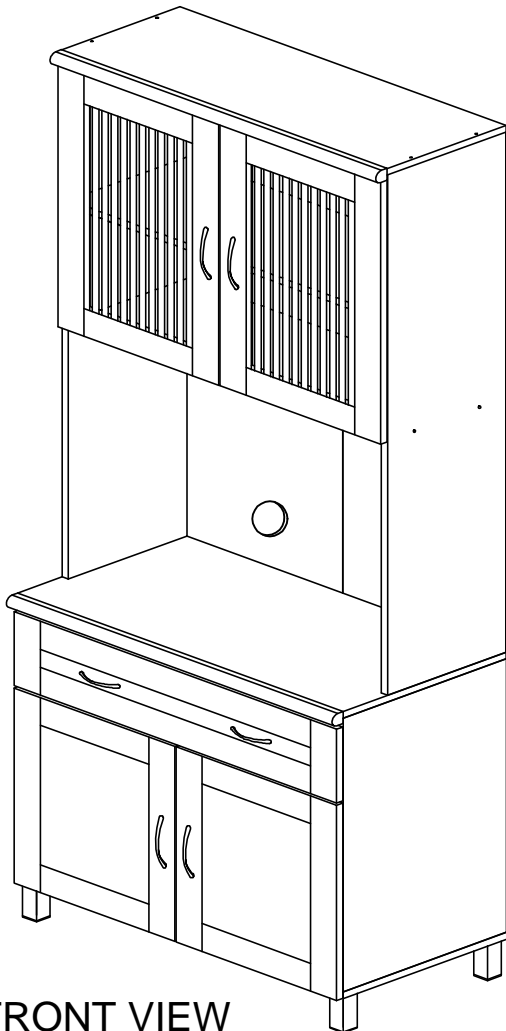
90 mins



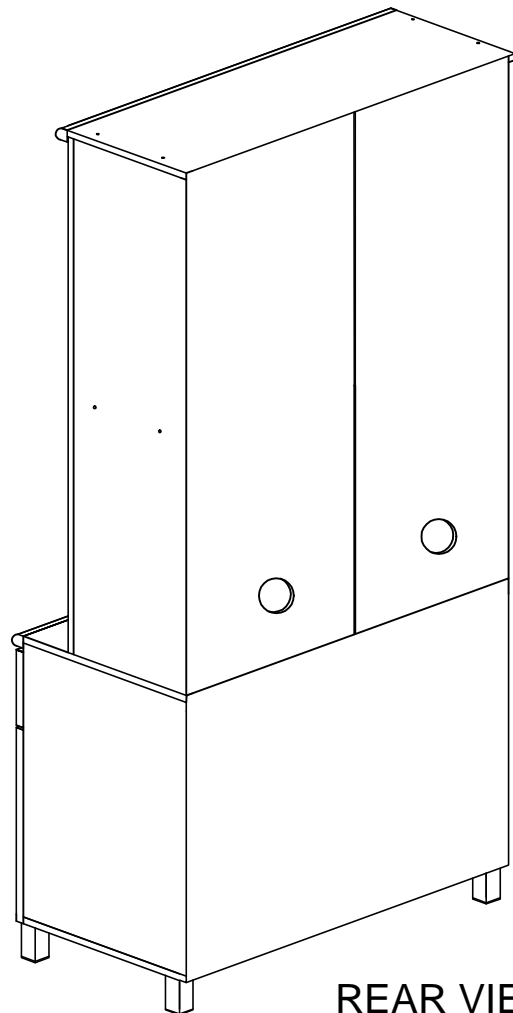
1 YR LTD



1 Box



FRONT VIEW



REAR VIEW

**Product Dimensions : Height 70.9" x Width 23.9" x Depth 15.75"**

# HODEDAH®

Questions, need parts, we are here to help!



Phone

Mon - Fri | 9:30am to 5pm EST

1 - 855 - HODEDAH

1 - 855 - 463 - 3324



Email

Send us an email

Support@Hodedah.com



Website

Visit our website to open a case

www.Hodedah.com

FOR PROMPT, RELIABLE SERVICE PLEASE HAVE YOUR INSTRUCTION MANUAL READY



## DO NOT RETURN PRODUCT TO THE STORE

If parts are missing or damaged please contact our customer service team and we will gladly ship your replacement parts FREE of charge within ONE YEAR of purchase!

## WARRANTY

Hodedah warrants this product to be free from defect in materials and workmanship and agrees to remedy and such defect. This warranty covers one year from the date of original purchase. This is solely limited to replacement of defective parts and no assembly for labor is included. This warranty does not apply to any product that has been improperly assembled, subjected to misuse, abuse or which has been altered or repaired in any way. To obtain warranty service, original purchaser must present the following; original bill of sale, date of purchase, where the product was purchased and images if applicable. Components replaced warranted through the remainder of the original warranty only. The defective part will be replaced without charge, subject to the terms and conditions described above.

## WARNING

- This product contains small parts, keep away from children.
- This product contains plastic bags, keep away from children.
- Serious or fatal crushing injuries can occur from furniture tip-over. To help prevent this, place heaviest items on the lower shelves and drawers. Do not set heavy object on top shelves and drawers.
- Never allow children to climb or hang on drawers, shelves and doors.
- Never open more than one drawer at a time.
- The use of tip-over restraints may reduce but not eliminate the risk of tip-over.

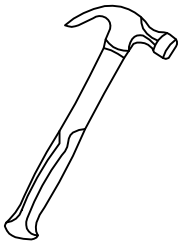
# HODEDAH®

## Let's get started...

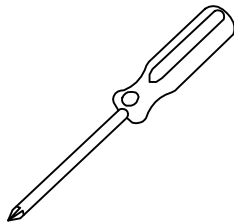
### Helpful hints, read before beginning assembly

- Make sure you receive all boxes. if your item is packed in one box, box count will read 1 of 1, likewise if your item is packed in two boxes, box count will read 1 of 2 and second box will read 2 of 2.
- Read each step carefully. It is very important that each step is performed in the correct order. If these steps are not followed in sequence, assembly difficulties will occur.
- Work in a spacious level area, preferably carpet, near the place the unit will be used.
- **DO NO USE** power tools to assemble your furniture, it will strip and damage parts.
- Your package should include the following hardware and parts. Parts are labeled or stamped on the raw edge. Please inspect contents to ensure you have received all components. **If you are missing any hardware or parts please contact customer service right away before assembly.**

## Assembly Tools Required (not supplied)



Hammer



Philips Screwdriver



Tape Measure


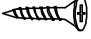
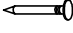

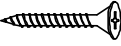
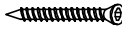
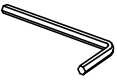

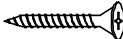


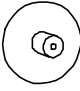

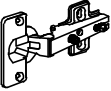
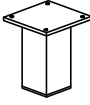

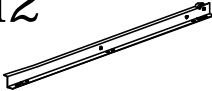


No Power Tools Needed

## Product Care and Maintenance

- Wipe clean with dry soft cloth, never use chemicals or cleaning products they will damage the finish.
- Avoid placing your furniture in direct sunlight, as sunlight causes fading.
- Never push, drag or pull your furniture, to move to a new location carefully with two or more people carry the unit to its new location.
- Avoid extreme changes in temperature by arranging furniture away from radiators, heat and air vents and air conditioning units.

## Hardware List

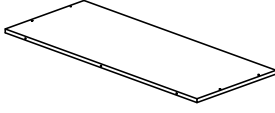

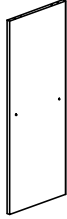

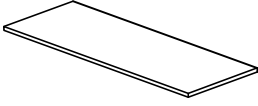

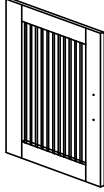
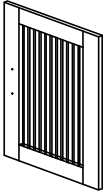
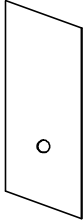
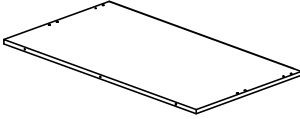
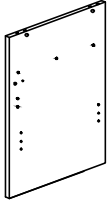
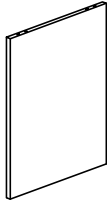
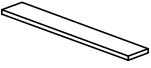
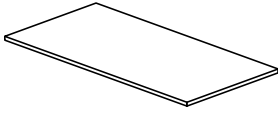
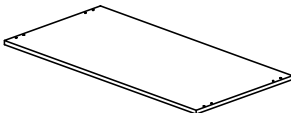
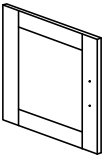
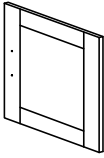
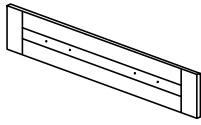
<b>A</b>  <b>M8X25MM</b>	<b>QTY</b>  22 Pcs	<b>B</b>  <b>M3.5X16MM</b>	<b>QTY</b>  60 Pcs	<b>C</b>  <b>NAIL 5/8</b>	<b>QTY</b>  76 Pcs
<b>D</b>  <b>M4X32MM</b>	<b>QTY</b>  4 Pcs	<b>E</b>  <b>M4X38MM</b>	 8 Pcs	<b>F</b>  <b>M6X50MM</b>	 18 Pcs
<b>G</b>  <b>Allen Key</b>	 1 Pcs	<b>H1</b>  <b>MOON HANDLE 96MM</b>	 6 Pcs	<b>H2</b>  <b>M4X22MM</b>	 8 Pcs
<b>I1</b>  <b>Minifix Nut</b>	 10 Pcs	<b>I2</b>  <b>Minifix Bolt</b>	 10 Pcs	<b>I3</b>  <b>Minifix Cap</b>	 16 Pcs
<b>J</b>  <b>Shelf Support</b>	 8 Pcs	<b>K</b>  <b>Hinges 5/8</b>	 8 Pcs	<b>L</b>  <b>100 Metal Leg</b>	 4 Pcs
<b>M1</b>  <b>Drawer Slide "14</b>	 2 Pcs	<b>M2</b>  <b>Drawer Slide "14</b>	 2 Pcs		

### Important

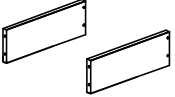
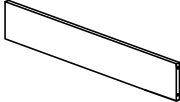
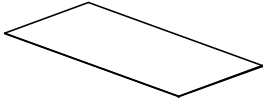
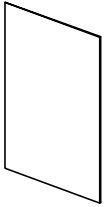
1. Before you throw the package, please use the Check Box to identify the parts and hardware to ensure that you have everything you need.
2. Check and measure the bolts before applying them to parts.
3. Do not completely tighten all hardware until the entire assembly is complete, unless indicated otherwise.

# HODEDAH®

## Parts List

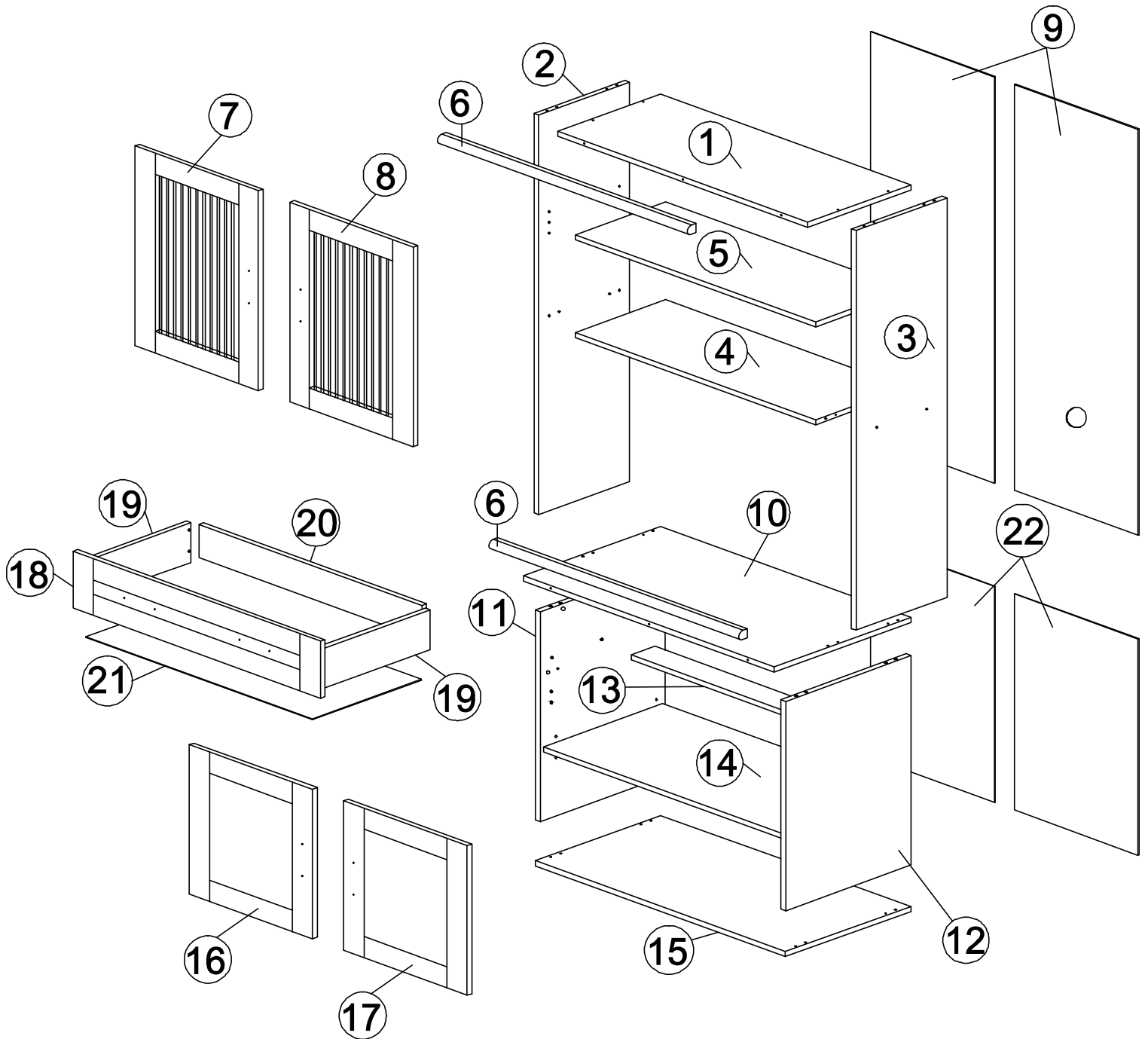
1  800x290x15mm	QTY 1 Pcs	2  1214x288x15mm	QTY 1 Pcs	3  1214x288x15mm	QTY 1 Pcs
4  768x287x15mm	1 Pcs	5  768x287x15mm	1 Pcs	6  800x30x30mm	2 Pcs
7  596x394x15mm	1 Pcs	8  596x394x15mm	1 Pcs	9  1235x398x2.5mm	2 Pcs
10  800x400x15mm	1 Pcs	11  604x398x15mm	1 Pcs	12  604x398x15mm	1 Pcs
13  768x70x15mm	1 Pcs	14  768x398x15mm	1 Pcs	15  800x398x15mm	1 Pcs
16  400x394x15mm	1 Pcs	17  400x394x15mm	1 Pcs	18  794x196x15mm	1 Pcs

## Parts List

19  350x96x15mm	QTY  2 Pcs	20  712x96x15mm	QTY  1 Pcs	21  741x350x2.5mm	QTY  1 Pcs
22  629x398x2.5mm	QTY  2 Pcs				

# HODEDAH®


## The Breakdown...

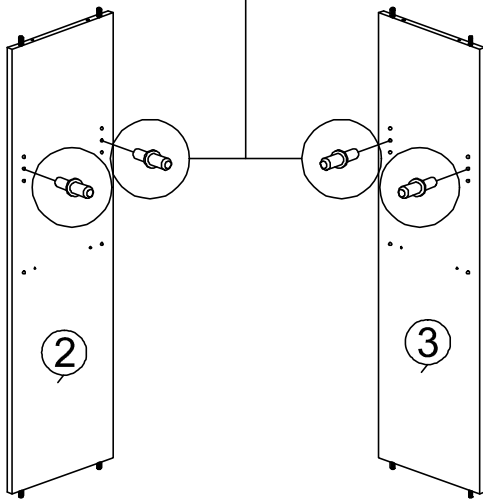
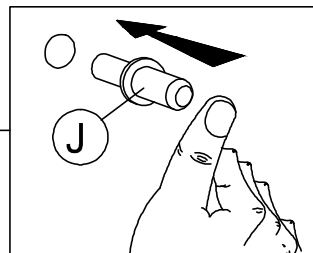
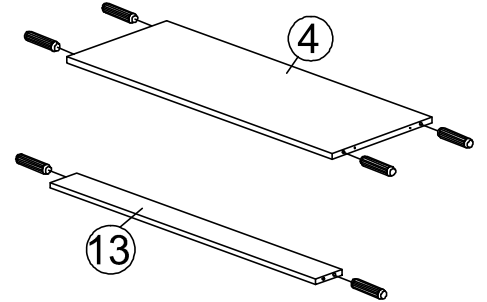
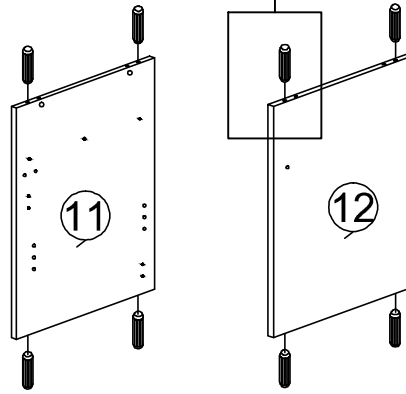
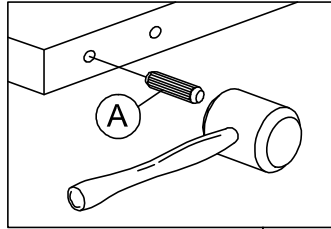
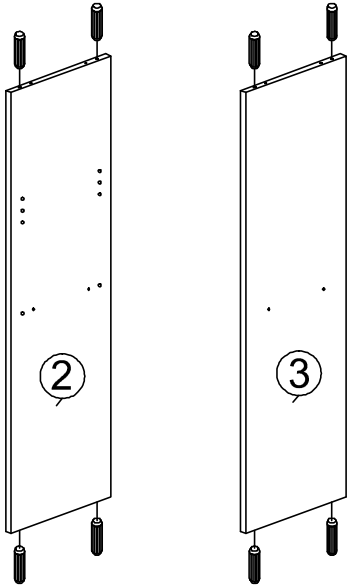


# HODEDAH®

## Step 1

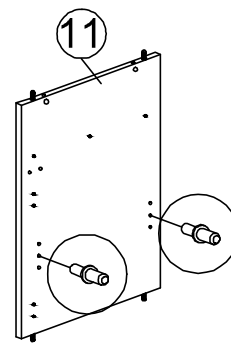
A		WOOD DOWEL M8x25MM	22
---	---	--------------------	----

J		SHELF SUPPORT	8
---	---	---------------	---

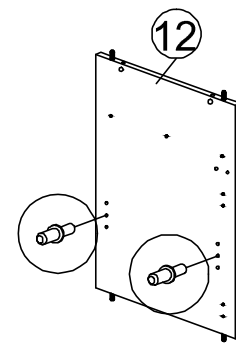


RIGHT VIEW

LEFT VIEW



RIGHT VIEW



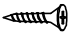

LEFT VIEW



1. Insert 22 x wood dowels (**A**) into panels (**2,3,4,11,12 & 13**) using plastic hammer.
2. Insert 8 x shelf support (**J**) into panels (**2,3,11 & 12**).

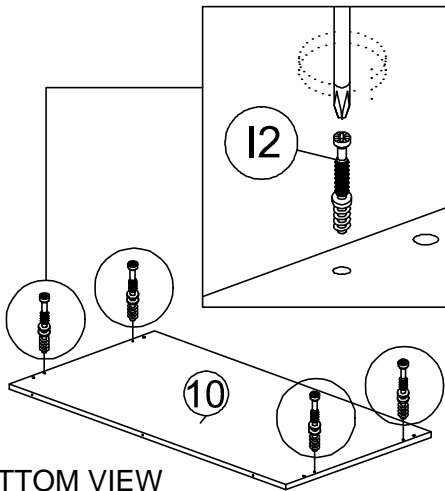


# HODEDAH®

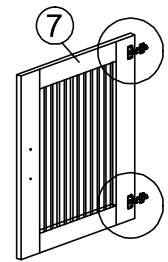
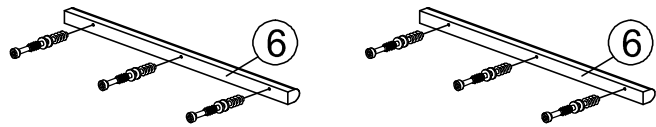
## Step 2

B		CB SCREW M3.5X16MM	22
I2		MINIFIX BOLT	10

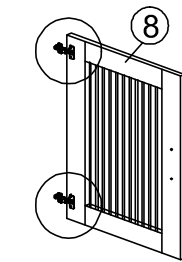
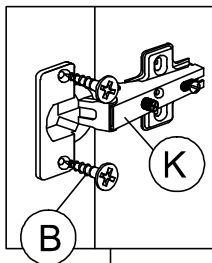
K		HINGES 5/8	8
M1		DRAWER SLIDE "14	2



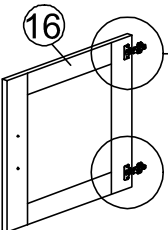
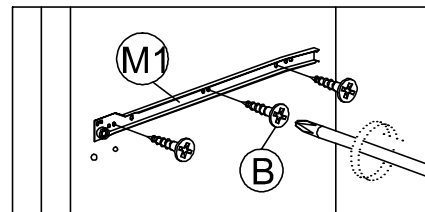
BOTTOM VIEW



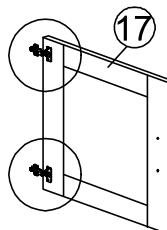
RIGHT VIEW



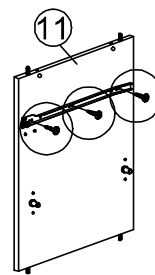
LEFT VIEW



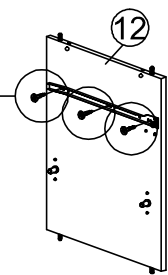
RIGHT VIEW



LEFT VIEW



RIGHT VIEW








LEFT VIEW

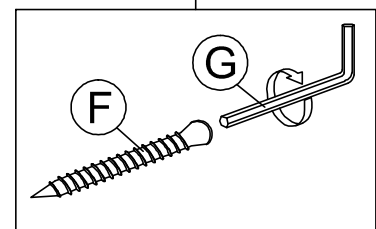
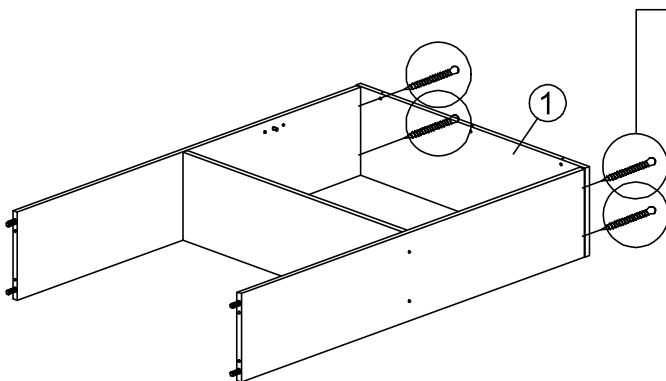
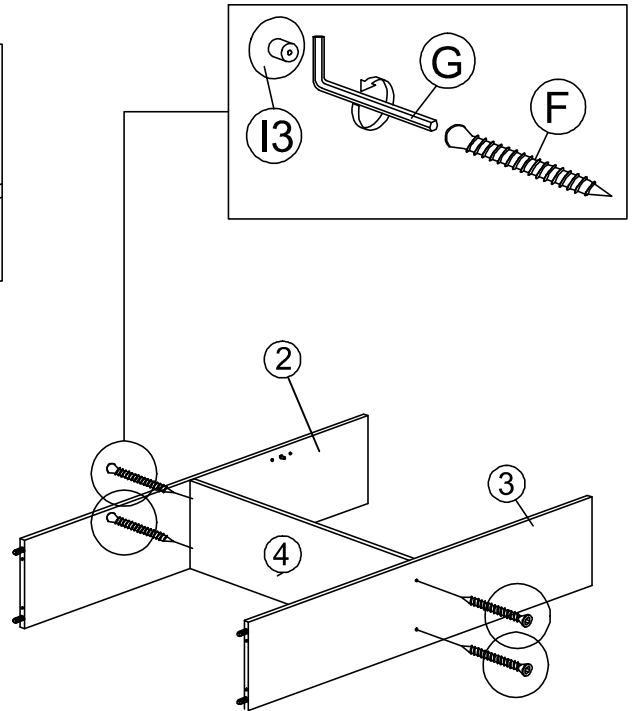
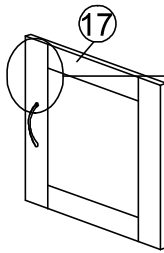
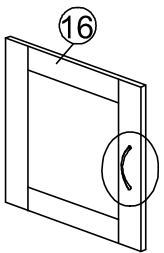
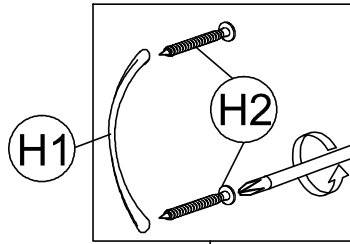
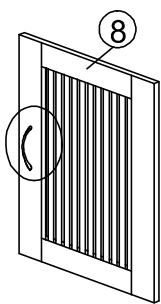
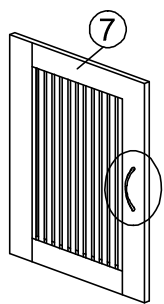
1. Insert 10 x minifix bolt (**I2**) into panel (**10 & 6**) with screwdriver.
2. Insert 8 x hinges (**K**) into panels (**7,8,16 & 17**) 's non-thru holes. Then tighten 16 x cb screws M3.5x16mm (**B**) with screwdriver.
3. Assemble 2 x drawer slide (**M1**) onto panel (**11 & 12**) and tighten 6 x cb screws M3.5x16mm (**B**) with screwdriver.

# HODEDAH®

## Step 3

F		CSK CAP M6X50MM	8
G		ALLEN KEY	1
H1		MOON HANDLE - 96MM	4



H2		CB SCREW M4X22MM	8
I3		MINIFIX CAP	4





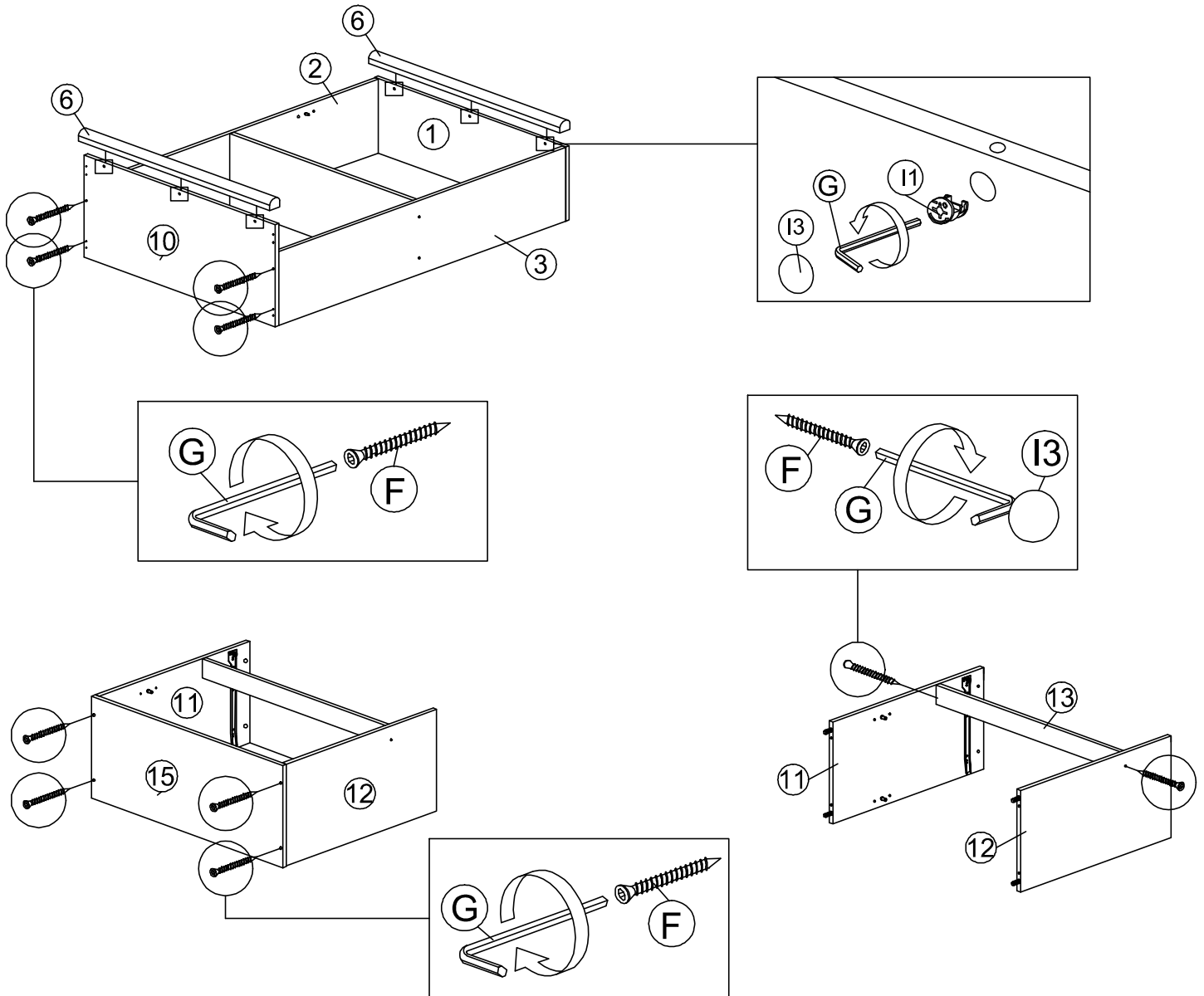
1. Place 4 x moon handle (H1) to panel (7,8,16 & 17) front and tighten 8 x screws M4x22mm (H2).
2. Attach panel (4) to panel (2 & 3) by inserting dowel (A) onto non-thru holes at panel (2 & 3). Then tighten 4 x csk M6x50mm (F) from thru holes at panel (2 & 3) with allen key (G). Fix 4 x cap (I3).
3. Attach panel (1) to panel (2 & 3) by using 4 x csk M6x50mm (F) with allen key (G).

# HODEDAH®

## Step 4

F	 CSK CAP M6X50MM	10
G	 ALLEN KEY	1




I3	 MINIFIX CAP	8
I1	 MINIFIX NUT	6

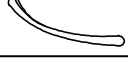
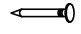



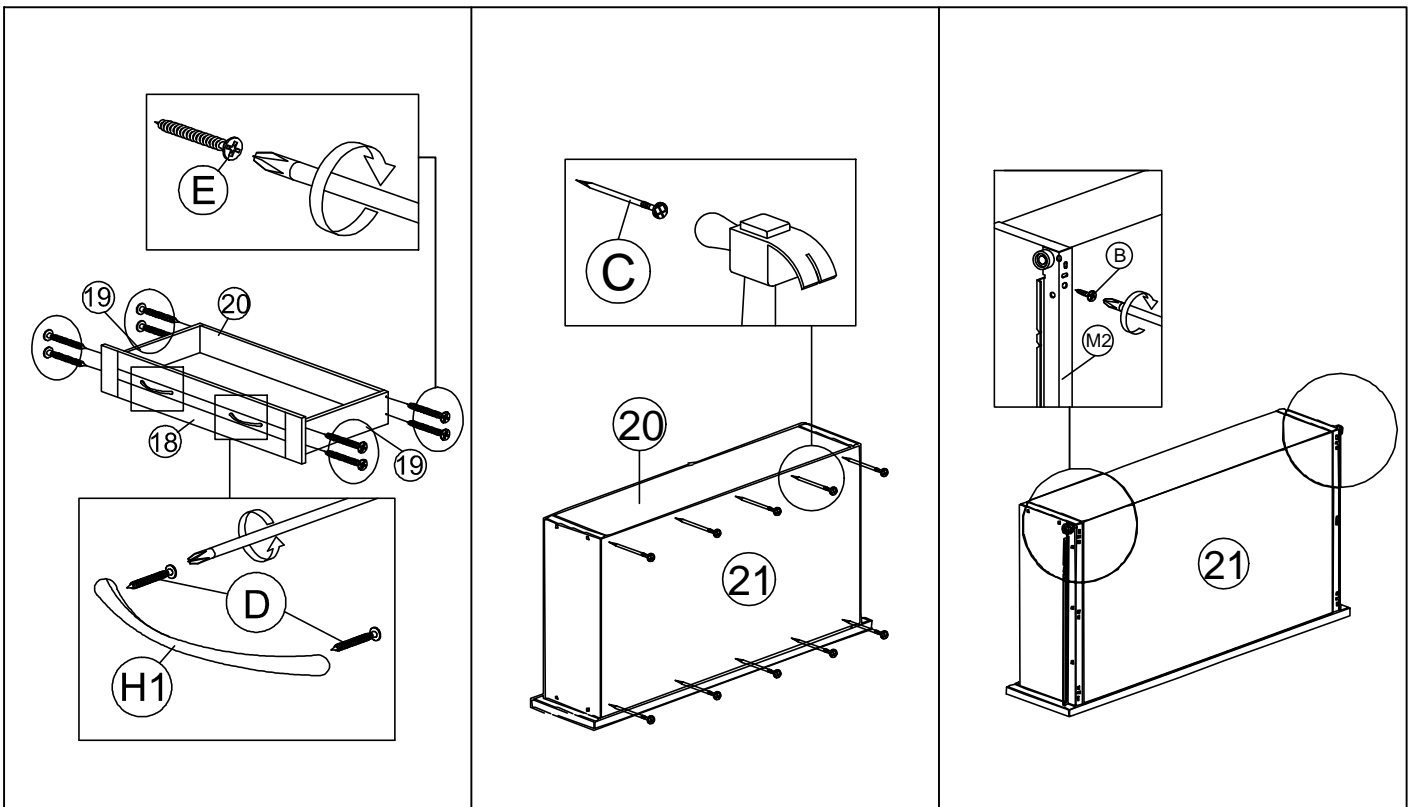
1. Attach panel (6) to panel (1 & 10) with 6 x minifix nut (I1) using allen key (G). Cover the minifix holes by using 6 x cap (I3).
2. Attach panel (10) to panel (2 & 3) with 4 x csk M6x50mm (F) by using allen key (G)
3. Attach panel (13) to panel (11 & 12) with 2 x csk M6x50mm (F) by using allen key (G). Fix 2 x cap (I3) for cover the screw holes.
4. Attach panel (15) to panel (11 & 12) with 4 x csk M6x50mm (F) by using allen key (G).

# HODEDAH®

## Step 5

B		CB SCREW M3.5X16MM	6
D		CB SCREW M4X32MM	4
E		CB SCREW M4X38MM	8

H1		MOON HANDLE - 96MM	2
C		NAIL 5/8	10
M2		DRAWER SLIDE "14	2


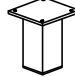


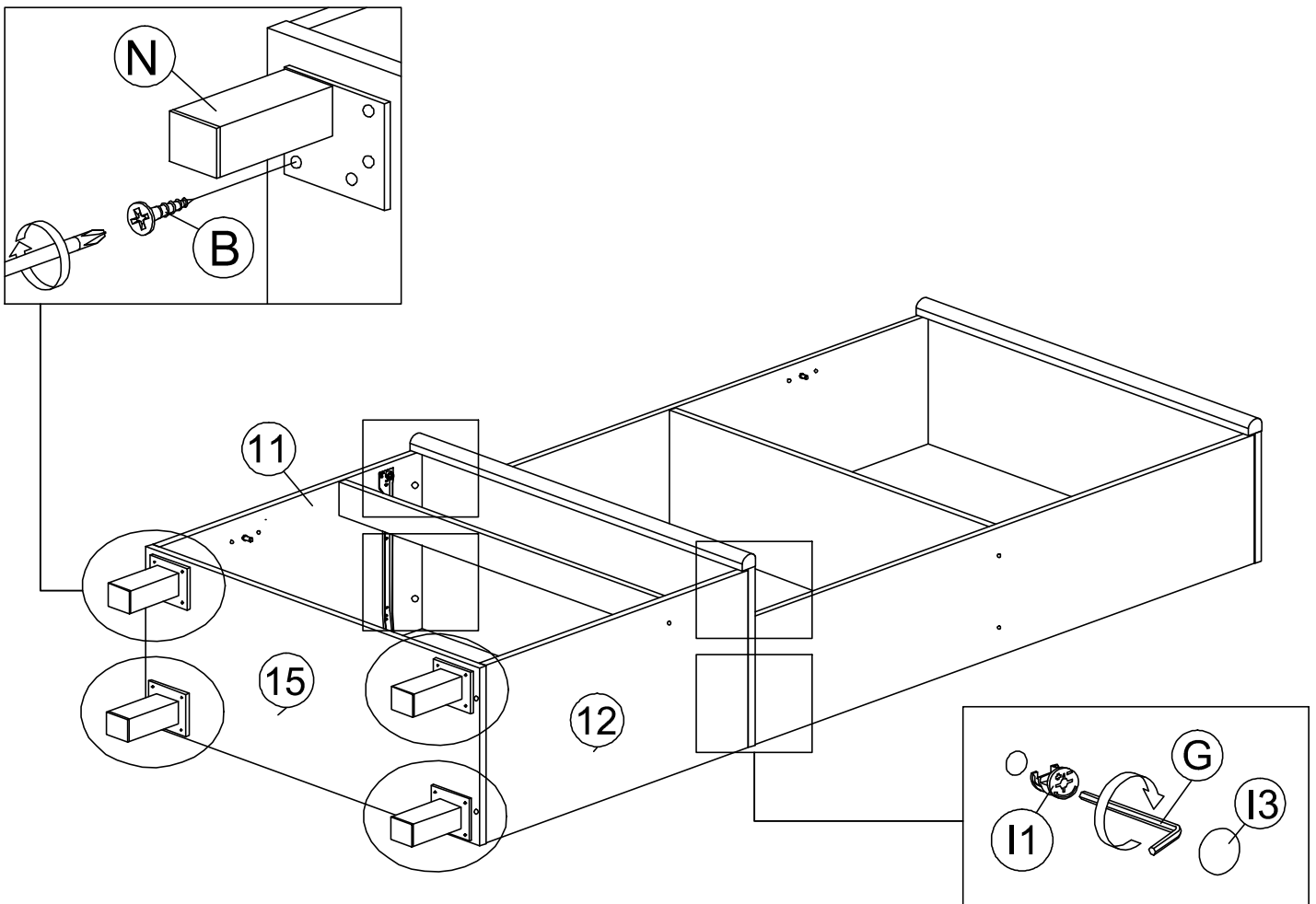
1. Place 2 x panels **(19)** next to each side of panel **(18 & 20)**. **(As Shown)**. Then tighten 8 x screws **(E)** to the edges of panel **(18 & 21)** with screwdriver.
2. Then using 10 x nails **(C)** slight hammer nails into the edges thru panel **(21)** onto panel **(18 # Drawer front)** and panel **(20 # Drawer back)**.
3. Then place drawer slide **(M2)** onto the edges of panels **(18)** both sides and screw in three Letter **(B)** screws onto to each hole of the drawer slide connecting it to panel **(19)**. **(As Shown)** with screwdriver.
4. Flip drawer around and attach handle **(H1)** to front panel **(18)** using 2 x screws **(D)** from the inner side panel **(18)** with screwdriver.

# HODEDAH®

## Step 6

B		CB SCREW M3.5X16MM	16
G		ALLEN KEY	1
I3		MINIFIX CAP	4

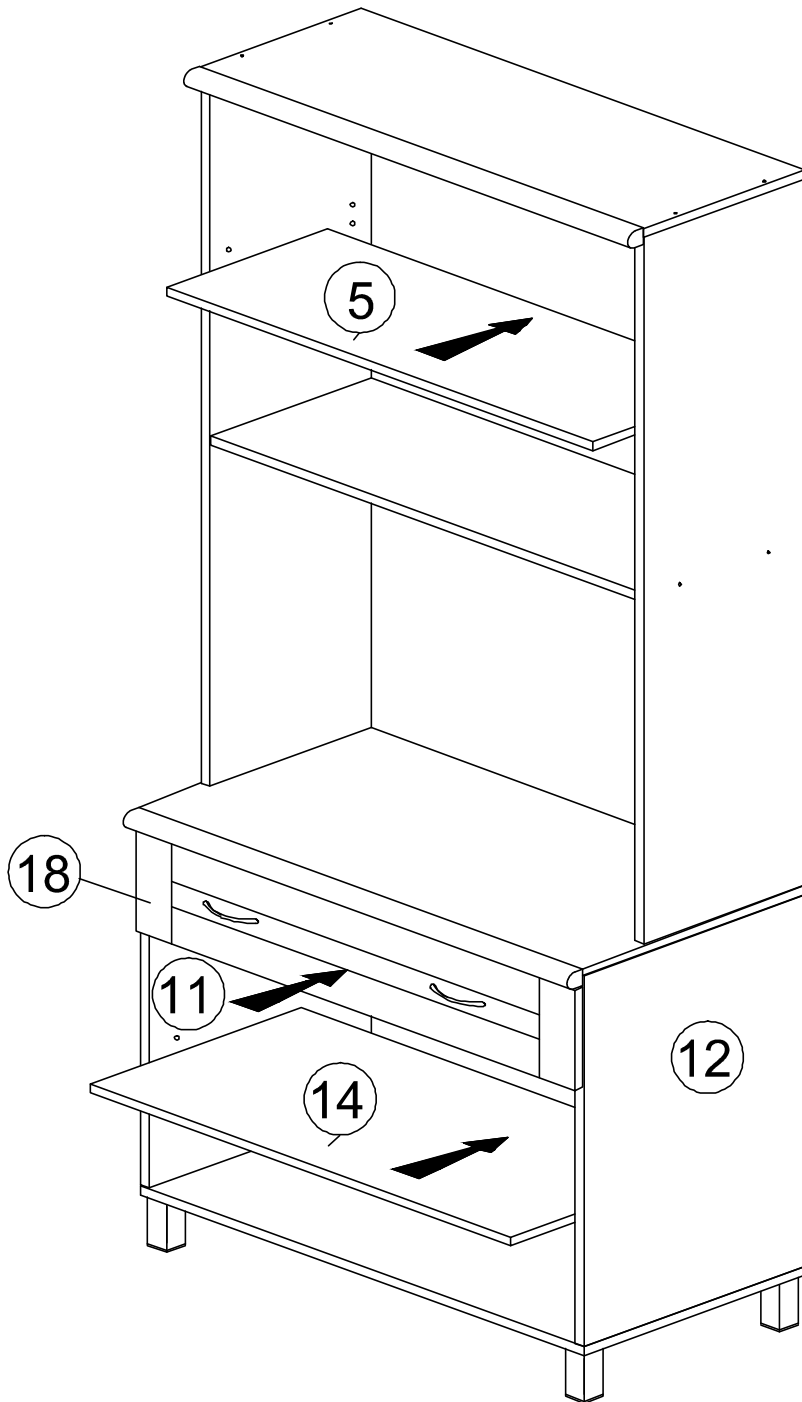
I1		MINIFIX NUT	4
L		100 METAL LEG	4



1. Connect panel **(11 & 12)** to panel **(10)** with 4 x minifix nut **(I1)** using allen key **(G)**.  
Cover the minifix holes by using 4 x cap **(I3)**.
2. Assemble 4 x leg **(L)** onto panel **(15)** base with 16 x cb screws M3.5x16mm **(B)** using screwdriver.

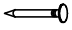
# HODEDAH®

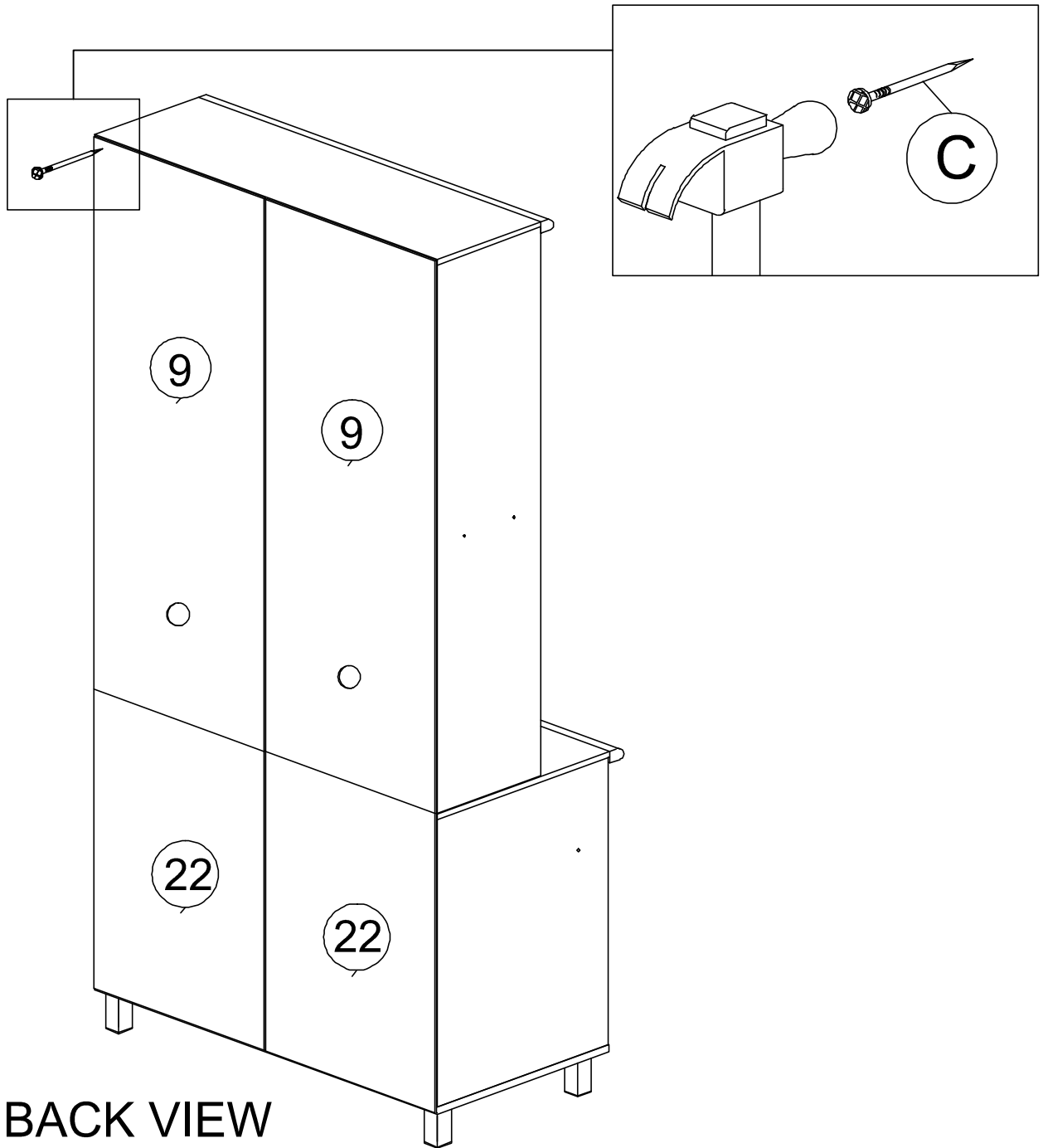
## Step 7



1. Slide the drawer box (**18**) by slotting the rollers at each end of drawer slide (**M2**) onto the rail of drawer slide (**M1**) fixed at side panel (**11 & 12**). Then slide the drawer in slowly.
2. Take panel (**5 & 14**) and slide it on the 4 shelf support top side as shown.

## Step 8

C		NAIL 5/8	66
---	---	----------	----



BACK VIEW

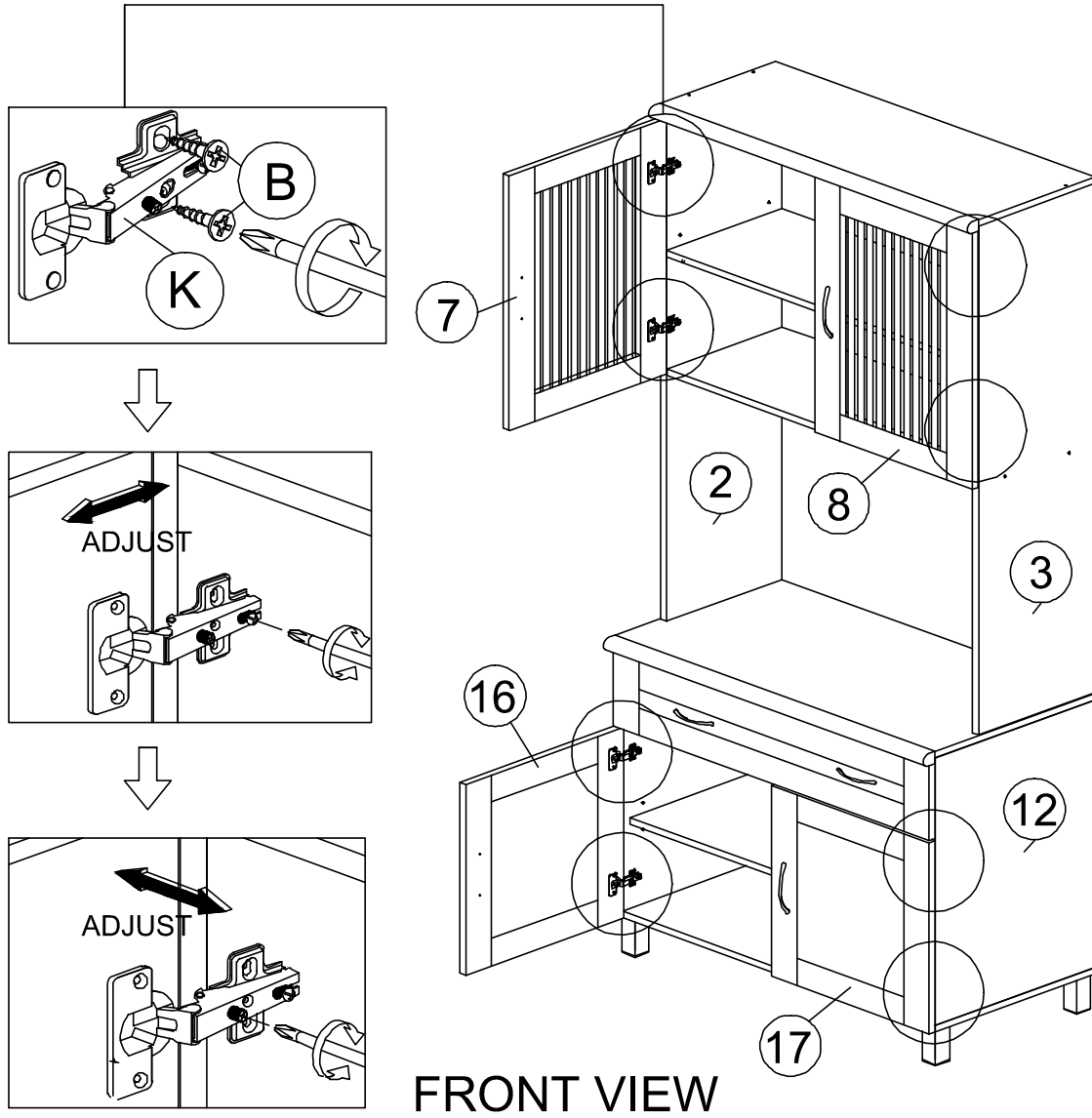
1. Fix 66 x nails (C) into panel (9 & 22) using hammer.

# HODEDAH®

## Step 9

### Final step...

B		CB SCREW M3.5X16MM	16
---	---	--------------------	----



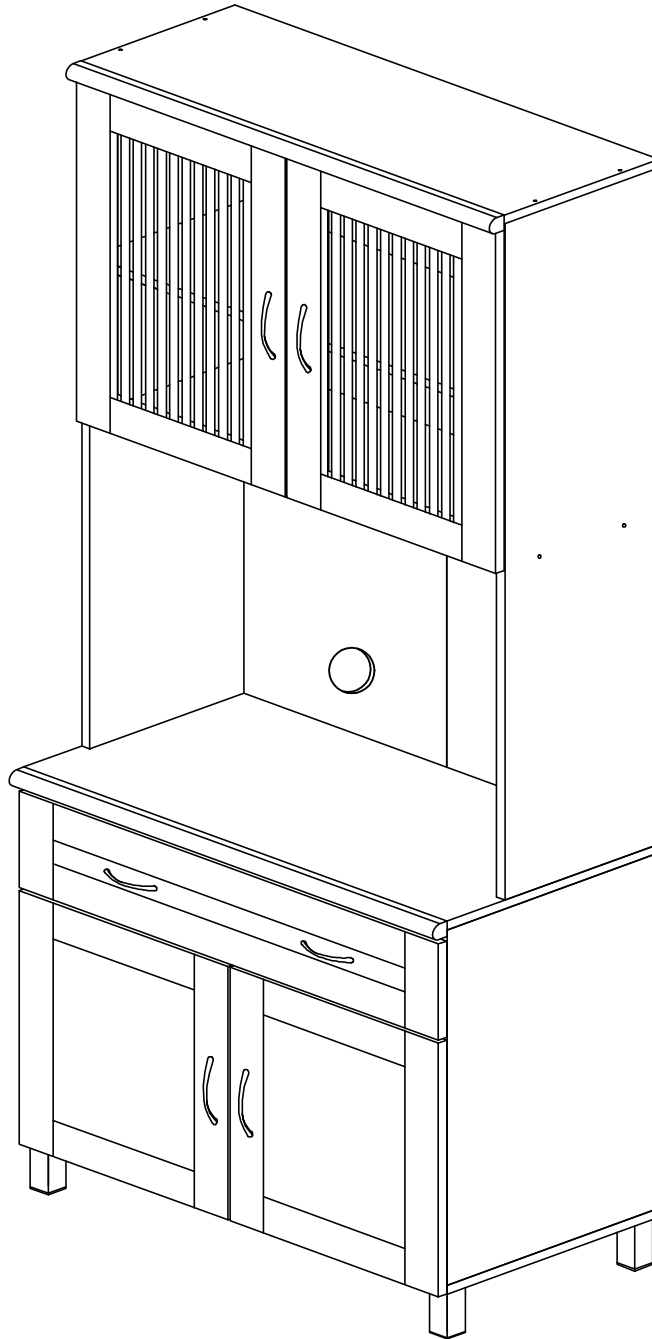
FRONT VIEW

1. Attach panels (7 & 8) to panel (2 & 3) with hinges (K) by using 8 x cb screws M3.5x16mm (B) with screwdriver.
2. Attach panels (16 & 17) to panel (11 & 12) with hinges (K) by using 8 x cb screws M3.5x16mm (B) with screwdriver.



# HODEDAH®

## Job Complete...

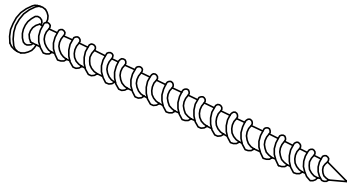


Enjoy & Thank you for purchasing from Hodedah!

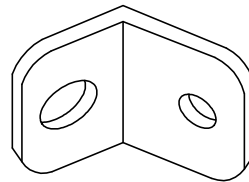


## Installation of Anti-Tip Restraint

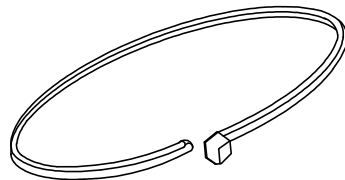
Kit includes:



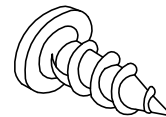
**A (x2)**  
**Long screw**



**B (x4)**  
**Mounting bracket**



**C (x2)**  
**Restraint strap**



**D (x2)**  
**Short screw**



## WARNING



**Serious or fatal crushing injuries can occur from furniture tip-over. To help Prevent tip-over:**

- Install tip-over restraint provided
- Place heaviest items in the lower drawers
- Do not set TV's or other heavy objects on top of this product
- Never allow children to climb or hang on drawers, doors or shelves
- Never open more than one drawer at a time
- Do not defeat or remove the drawer interlock system

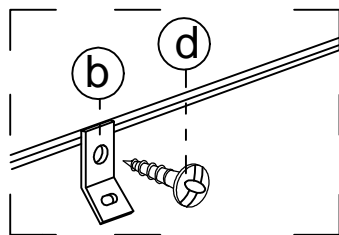
**Use tip-over restraints may only reduce but not eliminate the risk of tip-over.**

**IMPORTANT:** Use of this safety kit is mandatory. This restraint is not a substitute for proper adult supervision. Failure to detach this restraint before moving furniture may result in injury and damage. **If the safety kit is not in the box, please contact our consumer service team at Tel. 1 (718) 456 0505 or Email Support@Hodedah.com in order to obtain one before using the furniture.**

## FITTING OF ANTI-TIP SAFETY STRAP

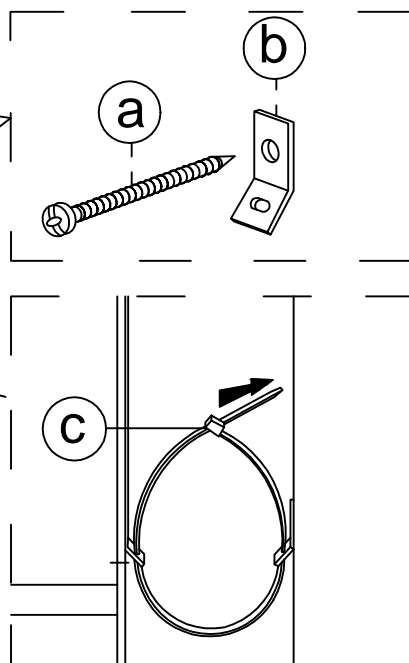
### STEP 1:

- Attach the mounting bracket (b) to the furniture in the solid part below the top panel a few inches away from the side of the unit.
- Screw (d) through the smallest hole of (b).



### STEP 2:

- Locate a stud in behind the have to
- Place the other mounting bracket (b) on the wall stud 2 inches below the mounting bracket secured to the back of your unit.
- Attach to the wall stud using (c) through the smaller hole of (b).



### STEP 3:

- Repeat the same step a few inches away from the other side of the unit.
- Place the furniture into position so both mounting brackets are vertically in line.
- Lace the end of the restraint strap through the larger holes in each mounting bracket.
- Secure the straps and lock into place.

