

# HODEDAH®

## Assembly Instructions

This instruction booklet contains important safety information, please read and keep for future reference.

### ITEM # HIK 78-T (MOP)

KITCHEN CART



2 people



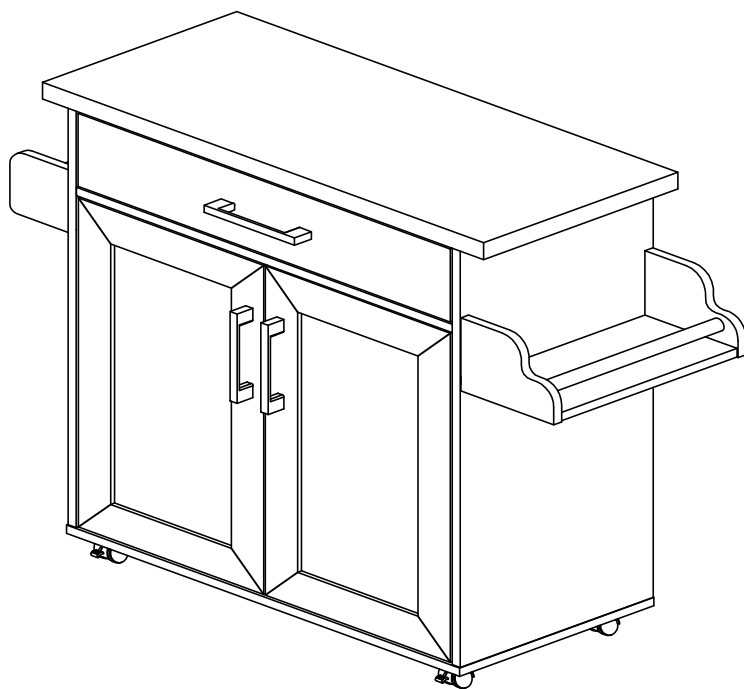
70 mins



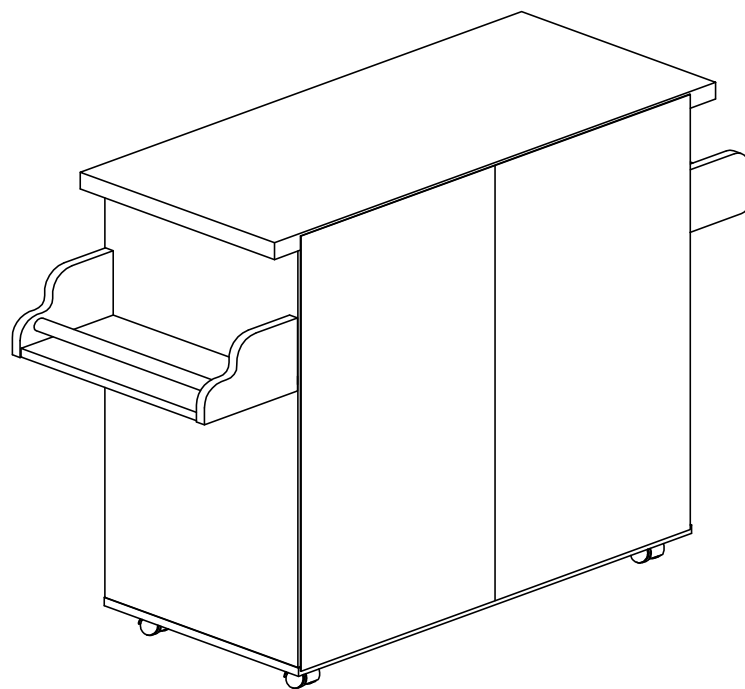
1 YR LTD



1 Box



FRONT VIEW



REAR VIEW

**Product Dimensions : Height 35.3" x Width 43.7" x Depth 15.6"**

# HODEDAH®

Questions, need parts, we are here to help!



Phone

Mon - Fri | 9:30am to 5pm EST

1 - 855 - HODEDAH

1 - 855 - 463 - 3324



Email

Send us an email

Support@Hodedah.com



Website

Visit our website to open a case

www.Hodedah.com

FOR PROMPT, RELIABLE SERVICE PLEASE HAVE YOUR INSTRUCTION MANUAL READY



## DO NOT RETURN PRODUCT TO THE STORE

If parts are missing or damaged please contact our customer service team and we will gladly ship your replacement parts FREE of charge within ONE YEAR of purchase!

## WARRANTY

Hodedah warrants this product to be free from defect in materials and workmanship and agrees to remedy and such defect. This warranty covers one year from the date of original purchase. This is solely limited to replacement of defective parts and no assembly for labor is included. This warranty does not apply to any product that has been improperly assembled, subjected to misuse, abuse or which has been altered or repaired in any way. To obtain warranty service, original purchaser must present the following; original bill of sale, date of purchase, where the product was purchased and images if applicable. Components replaced warranted through the remainder of the original warranty only. The defective part will be replaced without charge, subject to the terms and conditions described above.

## WARNING

- This product contains small parts, keep away from children.
- This product contains plastic bags, keep away from children.
- Serious or fatal crushing injuries can occur from furniture tip-over. To help prevent this, place heaviest items on the lower shelves and drawers. Do not set heavy object on top shelves and drawers.
- Never allow children to climb or hang on drawers, shelves and doors.
- Never open more than one drawer at a time.
- The use of tip-over restraints may reduce but not eliminate the risk of tip-over.

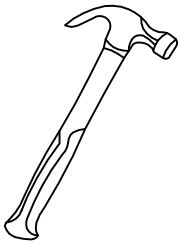
# HODEDAH®

## Let's get started...

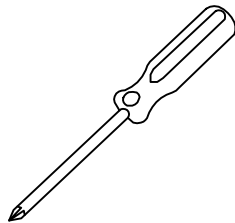
### Helpful hints, read before beginning assembly

- Make sure you receive all boxes. if your item is packed in one box, box count will read 1 of 1, likewise if your item is packed in two boxes, box count will read 1 of 2 and second box will read 2 of 2.
- Read each step carefully. It is very important that each step is performed in the correct order. If these steps are not followed in sequence, assembly difficulties will occur.
- Work in a spacious level area, preferably carpet, near the place the unit will be used.
- **DO NO USE** power tools to assemble your furniture, it will strip and damage parts.
- Your package should include the following hardware and parts. Parts are labeled or stamped on the raw edge. Please inspect contents to ensure you have received all components. **If you are missing any hardware or parts please contact customer service right away before assembly.**

## Assembly Tools Required (not supplied)



Hammer



Philips Screwdriver



Tape Measure



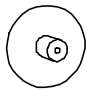

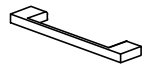




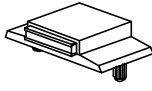

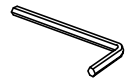
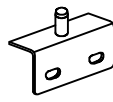



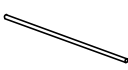


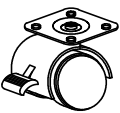
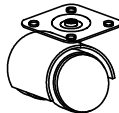


No Power Tools Needed

## Product Care and Maintenance

- Wipe clean with dry soft cloth, never use chemicals or cleaning products they will damage the finish.
- Avoid placing your furniture in direct sunlight, as sunlight causes fading.
- Never push, drag or pull your furniture, to move to a new location carefully with two or more people carry the unit to its new location.
- Avoid extreme changes in temperature by arranging furniture away from radiators, heat and air vents and air conditioning units.

## Hardware List

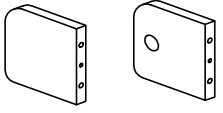
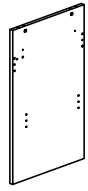
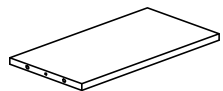
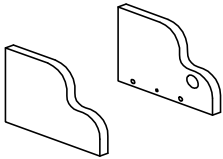
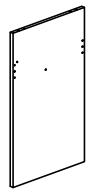

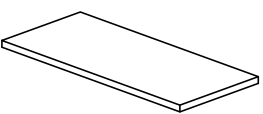
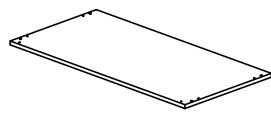
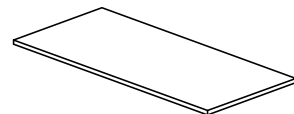

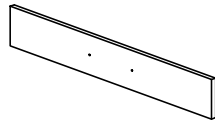
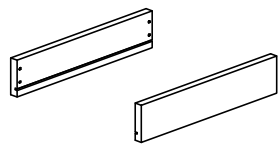
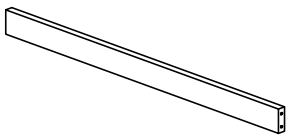
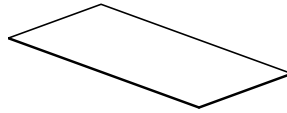
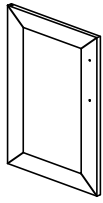
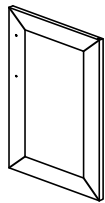
<b>A1</b>  Minifix Nut QTY 4 Pcs	<b>A2</b>  Minifix Bolt QTY 4 Pcs	<b>A3</b>  Minifix Cap QTY 17 Pcs
<b>B</b>  M8X25MM QTY 22 Pcs	<b>C1</b>  Handle 108 3 Pcs	<b>C2</b>  M4x25MM 4 Pcs
<b>D</b>  M6X50MM 13 Pcs	<b>E</b>  NAIL 5/8 32 Pcs	<b>F1</b>  Metal Piece 2 Pcs
<b>F2</b>  3.5KG Magnet (1 Hole) 2 Pcs	<b>F3</b>  M3X12MM 2 Pcs	<b>G</b>  Allen Key 1 Pc
<b>H</b>  MT Stopper 4 Pcs	<b>I</b>  Shelf Support 4 Pcs	<b>J</b>  M4X38MM 10 Pcs
<b>K</b>  M3.5X16MM 36 Pcs	<b>L</b>  Chrome Pipe 2 Pcs	<b>M1</b>  Drawer Slide 14" 2 Pcs
<b>M2</b>  Drawer Slide 14" 2 Pcs	<b>N1</b>  Caster With Stopper 2 Pcs	<b>N2</b>  Caster W/o Stopper 2 Pcs

### Important

1. Before you throw the package, please use the Check Box to identify the parts and hardware to ensure that you have everything you need.
2. Check and measure the bolts before applying them to parts.
3. Do not completely tighten all hardware until the entire assembly is complete, unless indicated otherwise.

# HODEDAH®

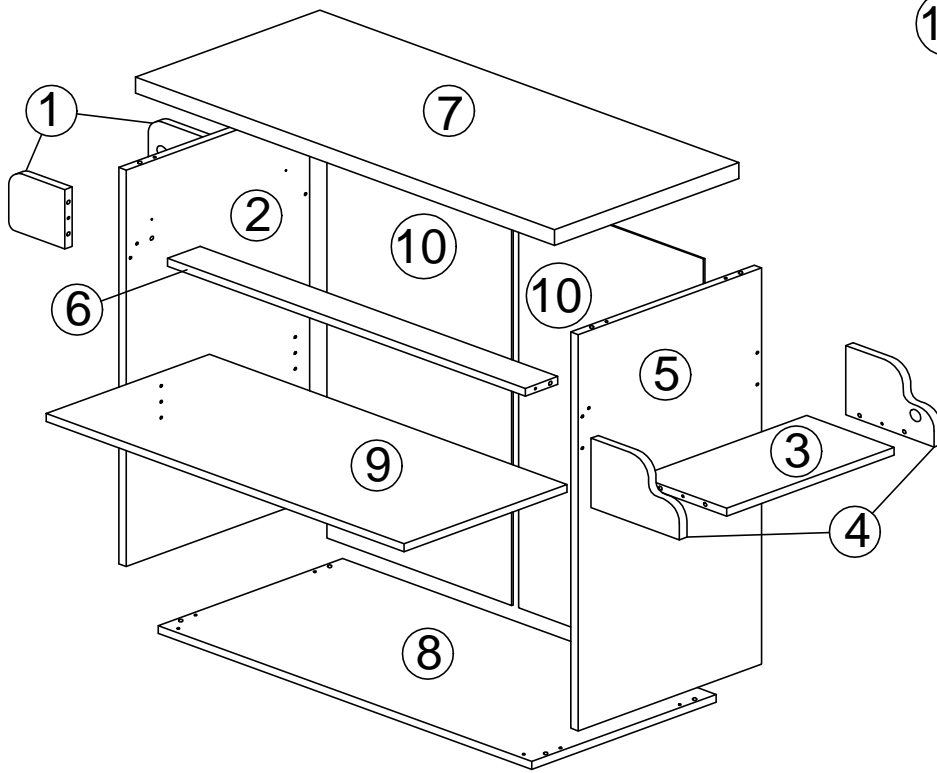
## Parts List

<p><b>1</b></p>  <p>120x120x15mm</p>	<p>QTY</p> <p><b>2</b> Pcs</p>	<p><b>2</b></p>  <p>800x394x15mm</p>	<p>QTY</p> <p><b>1</b> Pcs</p>	<p><b>3</b></p>  <p>360x188x15mm</p>	<p>QTY</p> <p><b>1</b> Pcs</p>
<p><b>4</b></p>  <p>190x140x15mm</p>	<p><b>2</b> Pcs</p>	<p><b>5</b></p>  <p>800x394x15mm</p>	<p><b>1</b> Pcs</p>	<p><b>6</b></p>  <p>768x76x15mm</p>	<p><b>1</b> Pcs</p>
<p><b>7</b></p>  <p>900x396x30mm</p>	<p><b>1</b> Pcs</p>	<p><b>8</b></p>  <p>802x396x15mm</p>	<p><b>1</b> Pcs</p>	<p><b>9</b></p>  <p>768x350x15mm</p>	<p><b>1</b> Pcs</p>
<p><b>10</b></p>  <p>840x397x2.5mm</p>	<p><b>2</b> Pcs</p>	<p><b>11</b></p>  <p>760x140x15mm</p>	<p><b>1</b> Pcs</p>	<p><b>12</b></p>  <p>350x90x15mm</p>	<p><b>2</b> Pcs</p>
<p><b>13</b></p>  <p>712x60x15mm</p>	<p><b>1</b> Pcs</p>	<p><b>14</b></p>  <p>722x350x2.5mm</p>	<p><b>1</b> Pcs</p>	<p><b>15</b></p>  <p>629x378x15mm</p>	<p><b>1</b> Pcs</p>
<p><b>16</b></p>  <p>629x378x15mm</p>	<p><b>1</b> Pcs</p>				

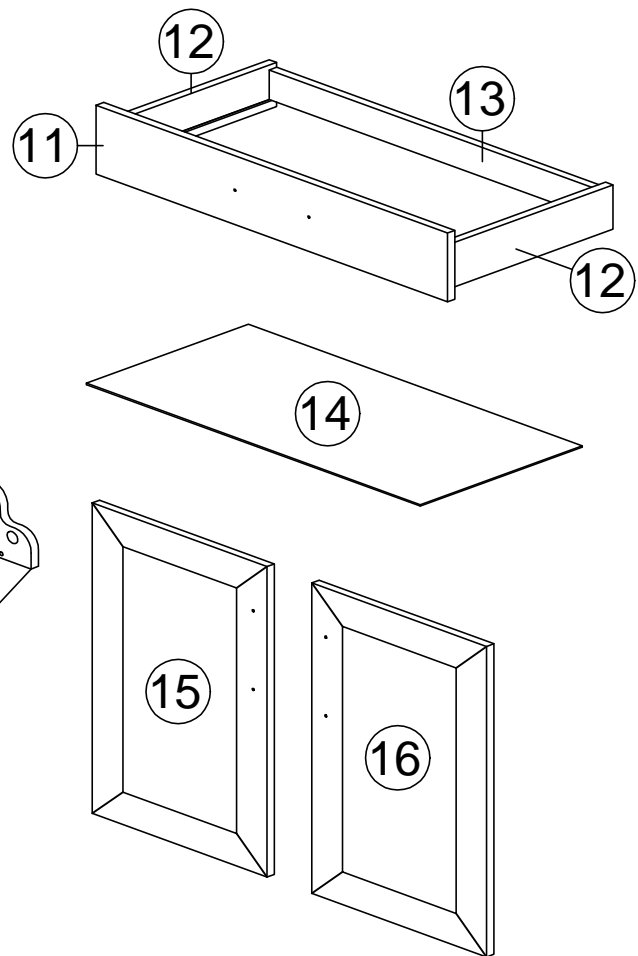
# HODEDAH®

## The Breakdown...

### I) Main Unit :



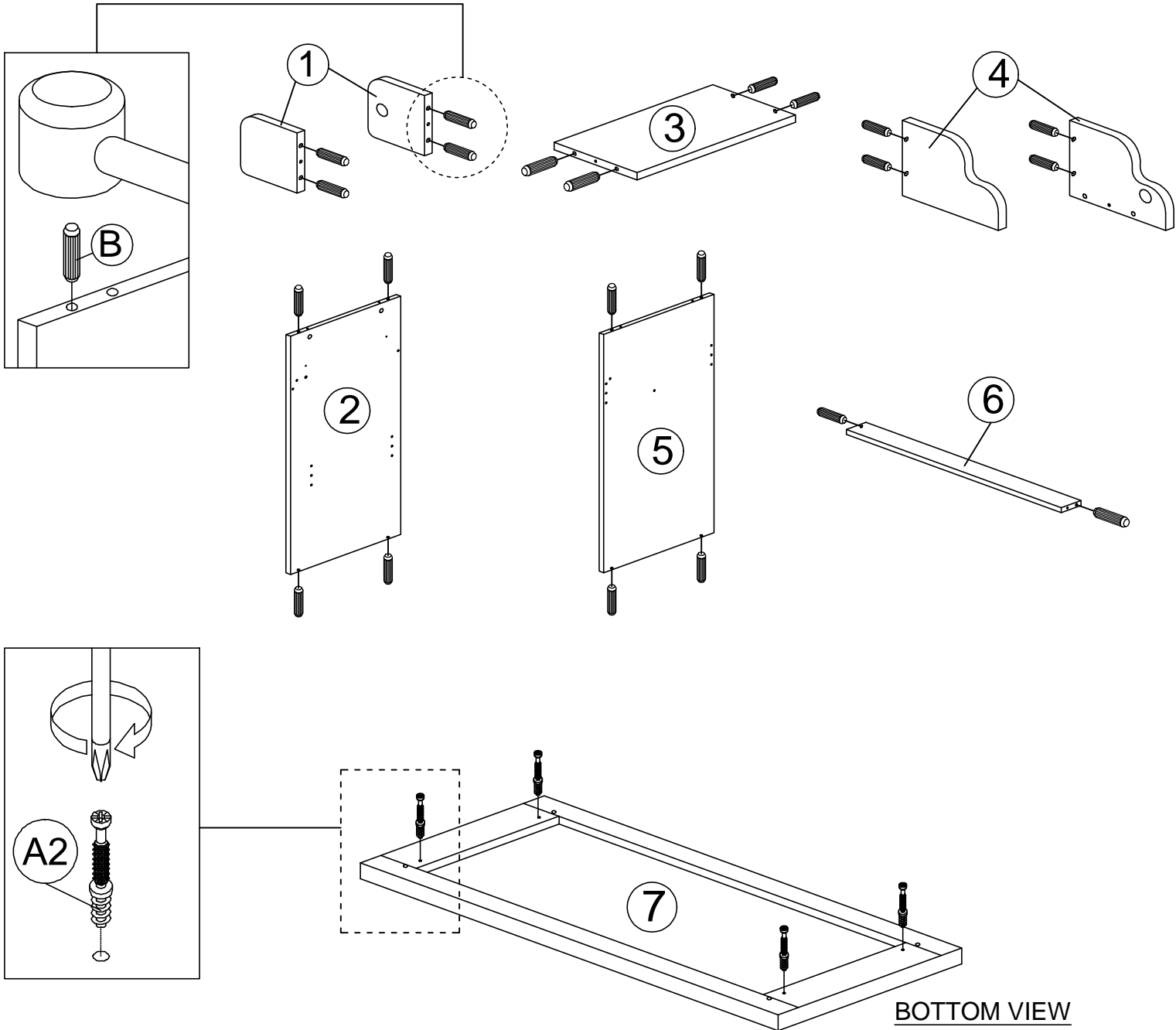
### II) Door & Drawer :



## Step 1

<b>B</b>	 WOOD DOWEL M8x25MM	<b>22</b>
----------	--	-----------


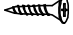
<b>A2</b>	 MINIFIX BOLT	<b>4</b>
-----------	--	----------

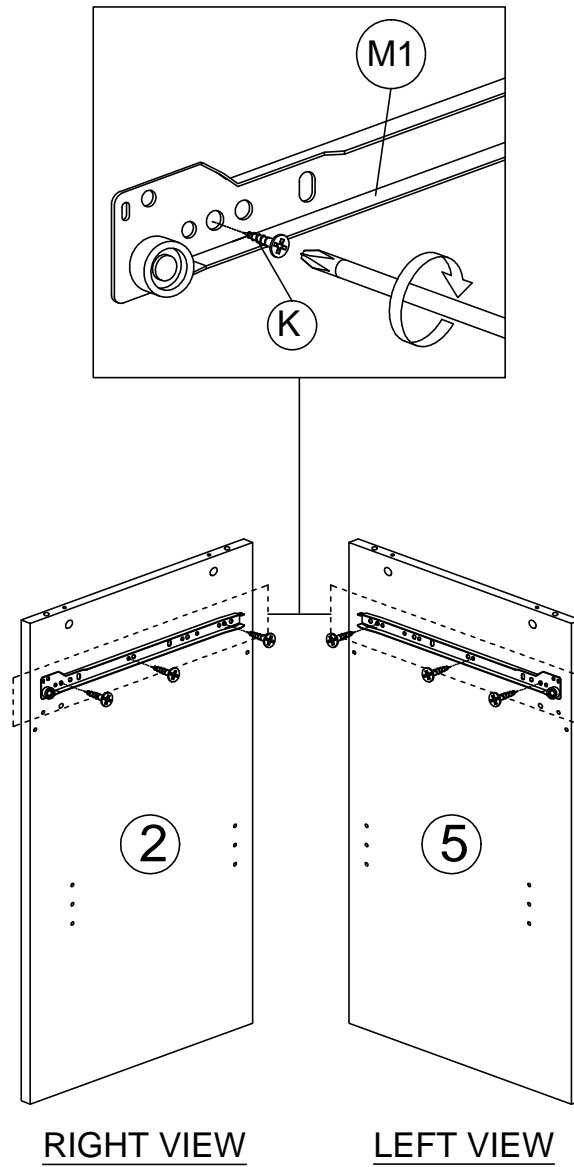


**BOTTOM VIEW**

1. Insert 22 x wood dowels (**B**) in panel (**1,2,3,4,5 & 6**). Using hammer to gently tap them in.
2. Tighten 4 x minifix bolt (**A2**) into panel (**7**) with screwdriver.

## Step 2

M1		DRAWER SLIDE "14	2
K		CB SCREW M3.5X16MM	6

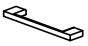



1. Place the drawer slide (**M1**) onto 3 holes area as shown at right view panel (**2**). Then tighten it with 3 x cb screws M3.5x16mm (**K**).
2. Place the drawer slide (**M1**) onto 3 holes area as shown at left view panel (**5**). Then tighten it with 3 x cb screws M3.5x16mm (**K**).

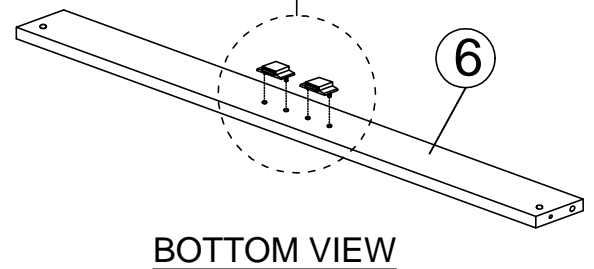
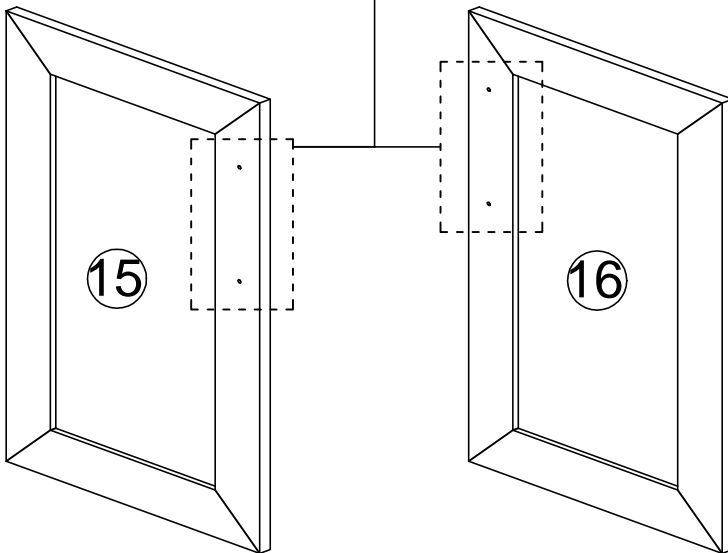
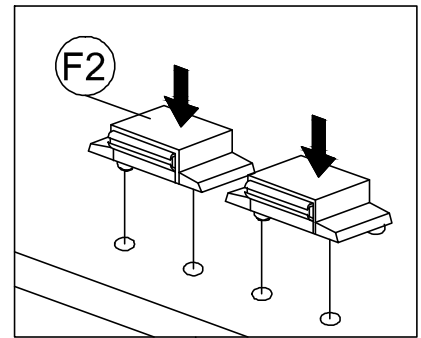
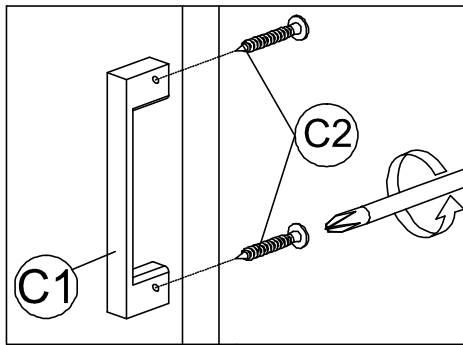


# HODEDAH®

## Step 3

C1		HANDLE 108	2
C2		CB SCREW M4X25MM	4

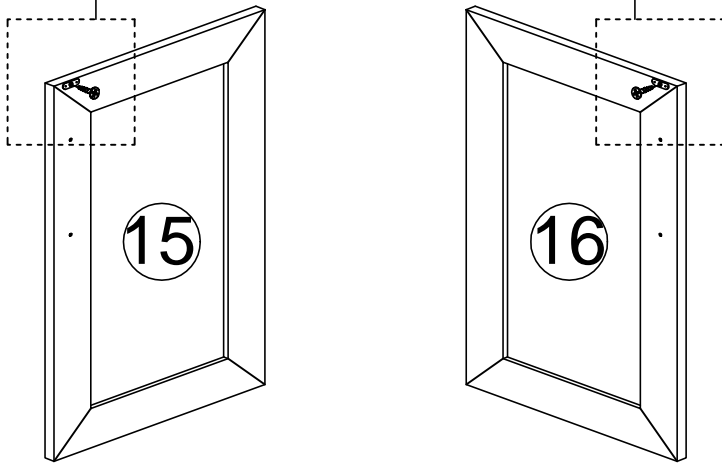
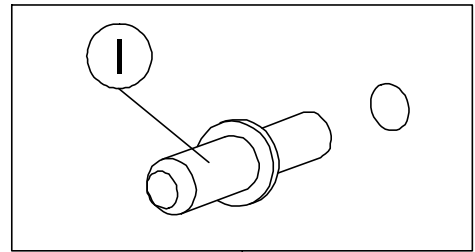
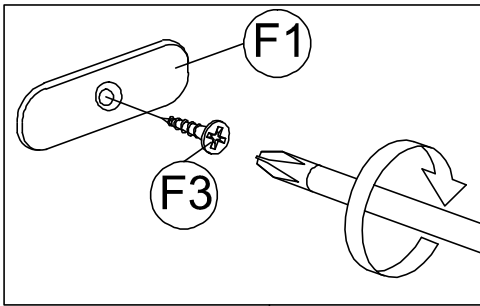
F2		3.5KG MAGNET (1 HOLE)	2
----	---	-----------------------	---



1. Place 2 x handle (**C1**) to panel (**15 & 16**) front. After that, tighten 4 x screws (**C2**) for fix it.
2. Insert 2 x magnets (**F2**) into panel (**6**) 's thru holes as shown with plastic hammer.

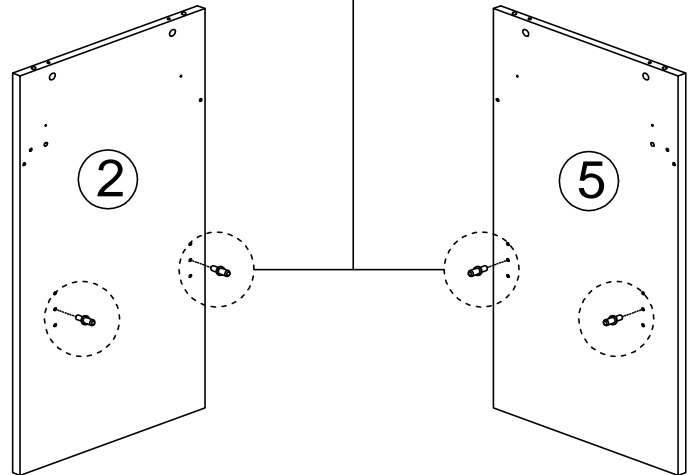
## Step 4

I		SHELF SUPPORT	4
F1		METAL PIECE	2
F3		CB SCREW M3X12MM	2



RIGHT VIEW

LEFT VIEW






RIGHT VIEW


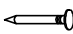
LEFT VIEW

1. Fix and tighten 2 x metal piece (F1) by using 2 x screws (F3) at door panel (15 & 16).
2. Insert 4 x shelf support (I) into panel (2 & 5).

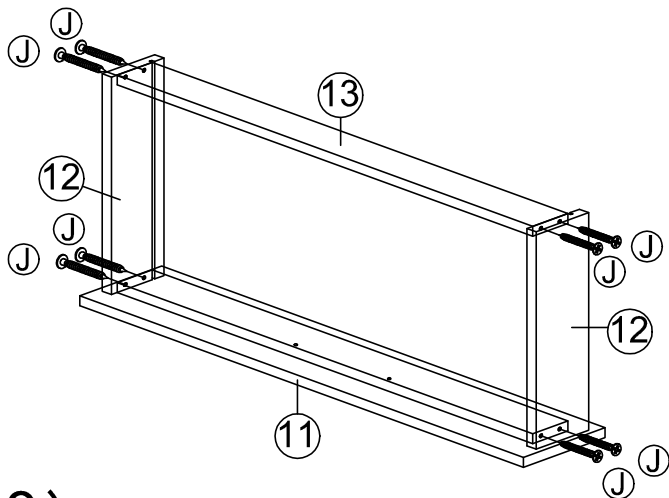
# HODEDAH®

## Step 5

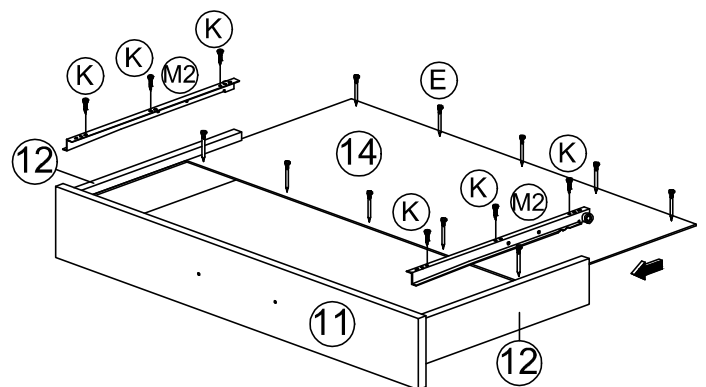
J		CB SCREW M4X38MM	10
K		CB SCREW M3.5X16MM	6
C1		HANDLE 108	1

M2		DRAWER SLIDE "14	2
E		NAIL 5/8	10

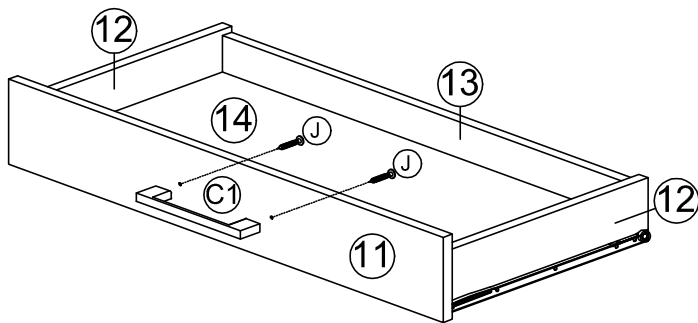
(1)



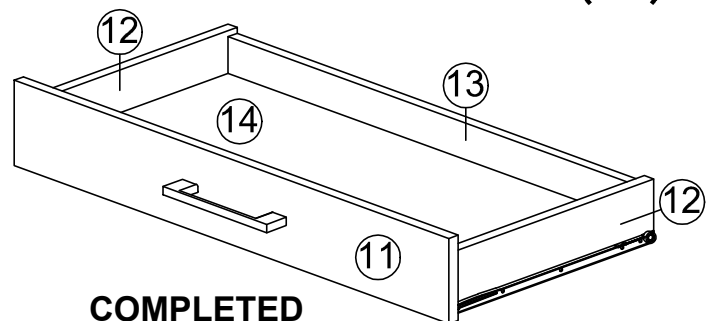
(2)



(3)



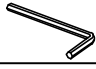
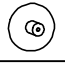

(4)



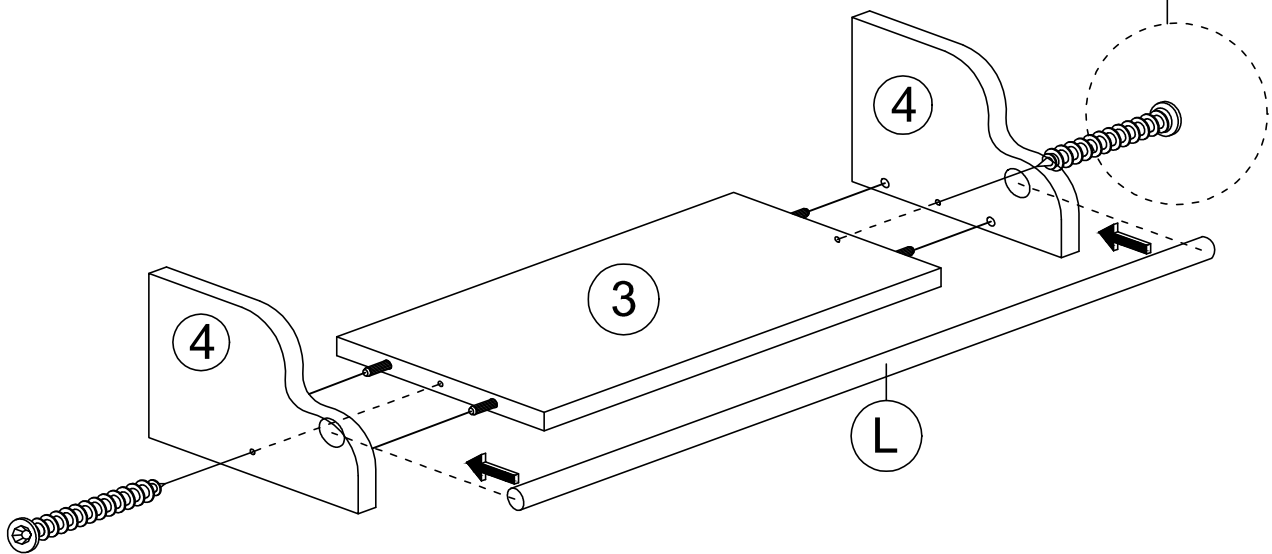
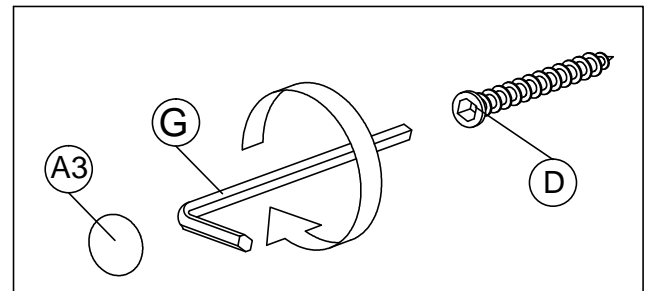
**COMPLETED**

1. Place 2 x panels (12) next to each side of panel (11 & 13). (*As Shown*). Then tighten screws (J) from the side of panels (13) with screwdriver.
2. Flip drawer bottom side up, take panel (14) and slide it into the groove of side panels (12). Then using nails (E) slight hammer nails into the edges thru panel (14) onto panel (11 # Drawer front) and (13 # Drawer back).
3. Then place drawer slide (M2) onto the edges of panels (12) both sides and screw in three Letter (K) screws onto each hole of the drawer slide connecting it to panels (12) with screwdriver. (*As Shown*).
4. Flip drawer around and attach handle (C1) to front panel (11) by using 2 x screws (J) from the inner side panel (11) with screwdriver.

## Step 6

G		ALLEN KEY	1
A3		CSK CAP	2
D		CSK CAP WOOD M6X50MM	2

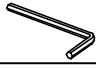


L		CHROME PIPE	1
---	---	-------------	---

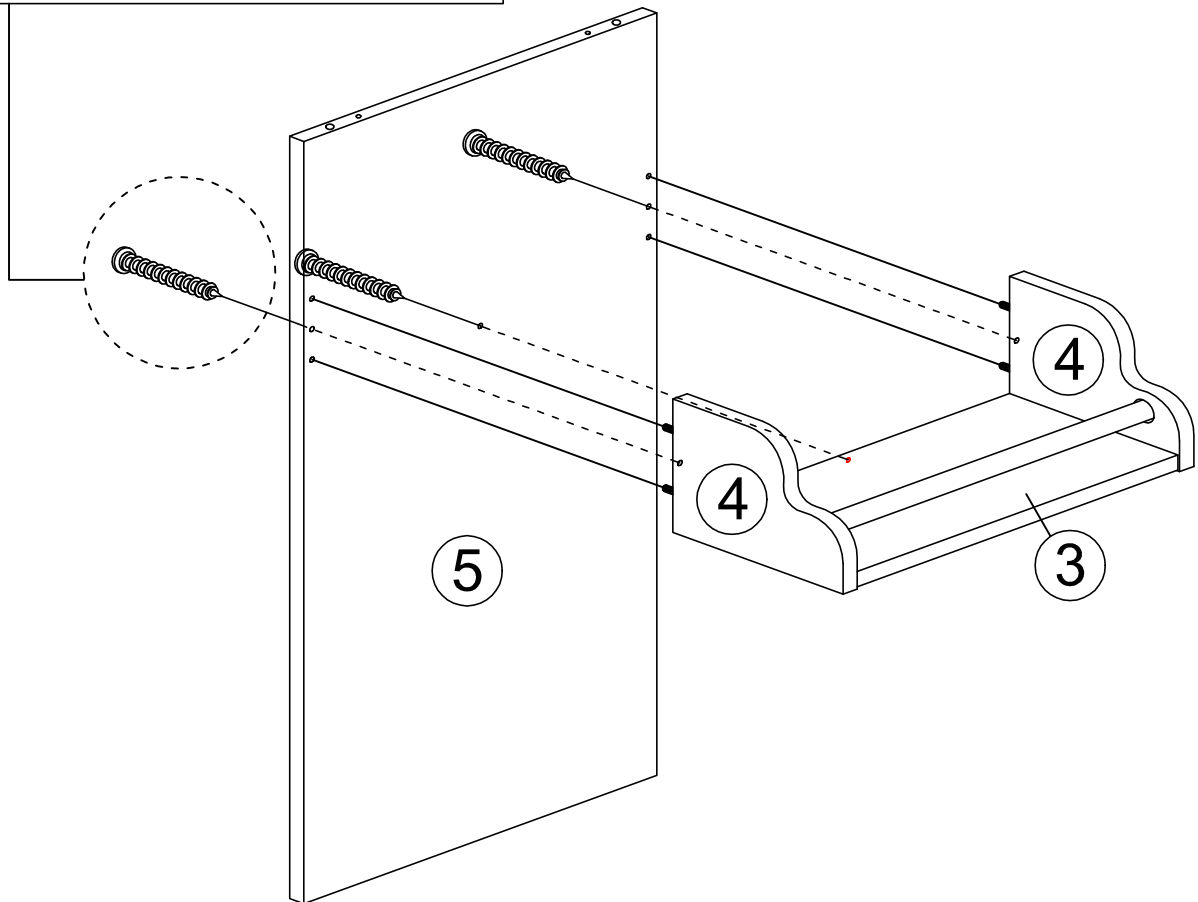
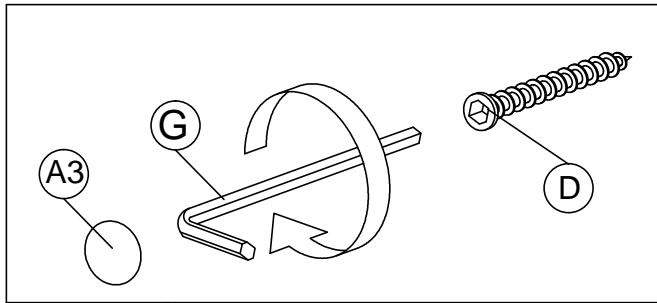


1. Put in the chrome pipe (**L**) to panel (**4**). Then fix panel (**3**) by inserting dowels (**C**) onto non-thru at panel (**3**) and use allen key (**G**) to tighten 2 x csk M6x50mm (**D**) from the thru-holes of panel (**4**). After that insert 2 x cap (**A3**).

# HODEDAH®

## Step 7

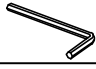


G		ALLEN KEY	1
A3		CSK CAP	3
D		CSK CAP WOOD M6X50MM	3



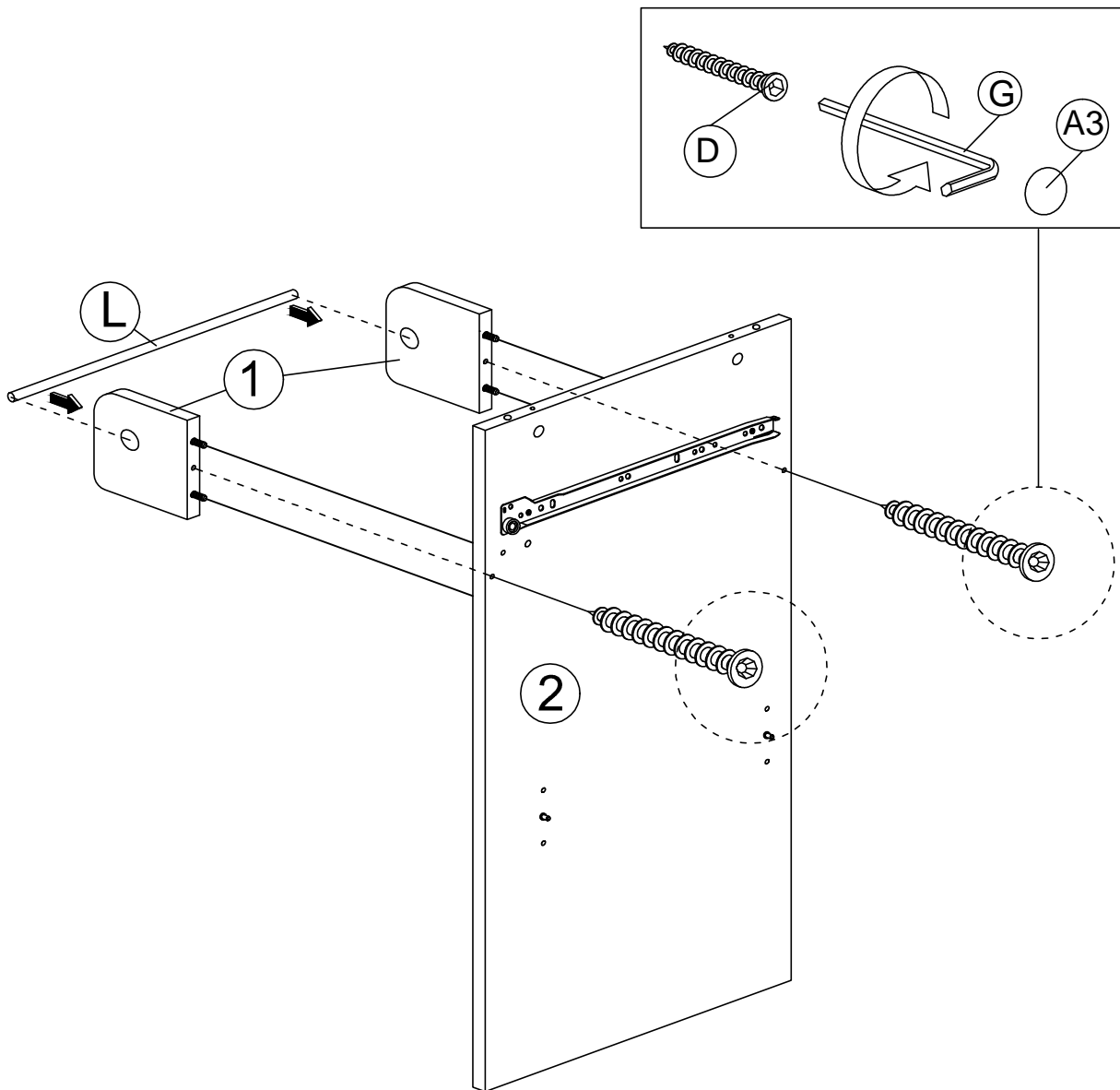
1. Fix panel (3 & 4) to panel (5) by using dowels (C) onto non-thru at panel (3 & 4) as shown.
2. Then tighten 3 x csk M6x50mm (D) from the thru-holes of panel (5) with allen key (G). After that, insert 3 x cap (A3).

# HODEDAH®

## Step 8

G		ALLEN KEY	1
A3		CSK CAP	2
D		CSK CAP WOOD M6X50MM	2



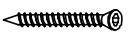
L		CHROME PIPE	1
---	---	-------------	---

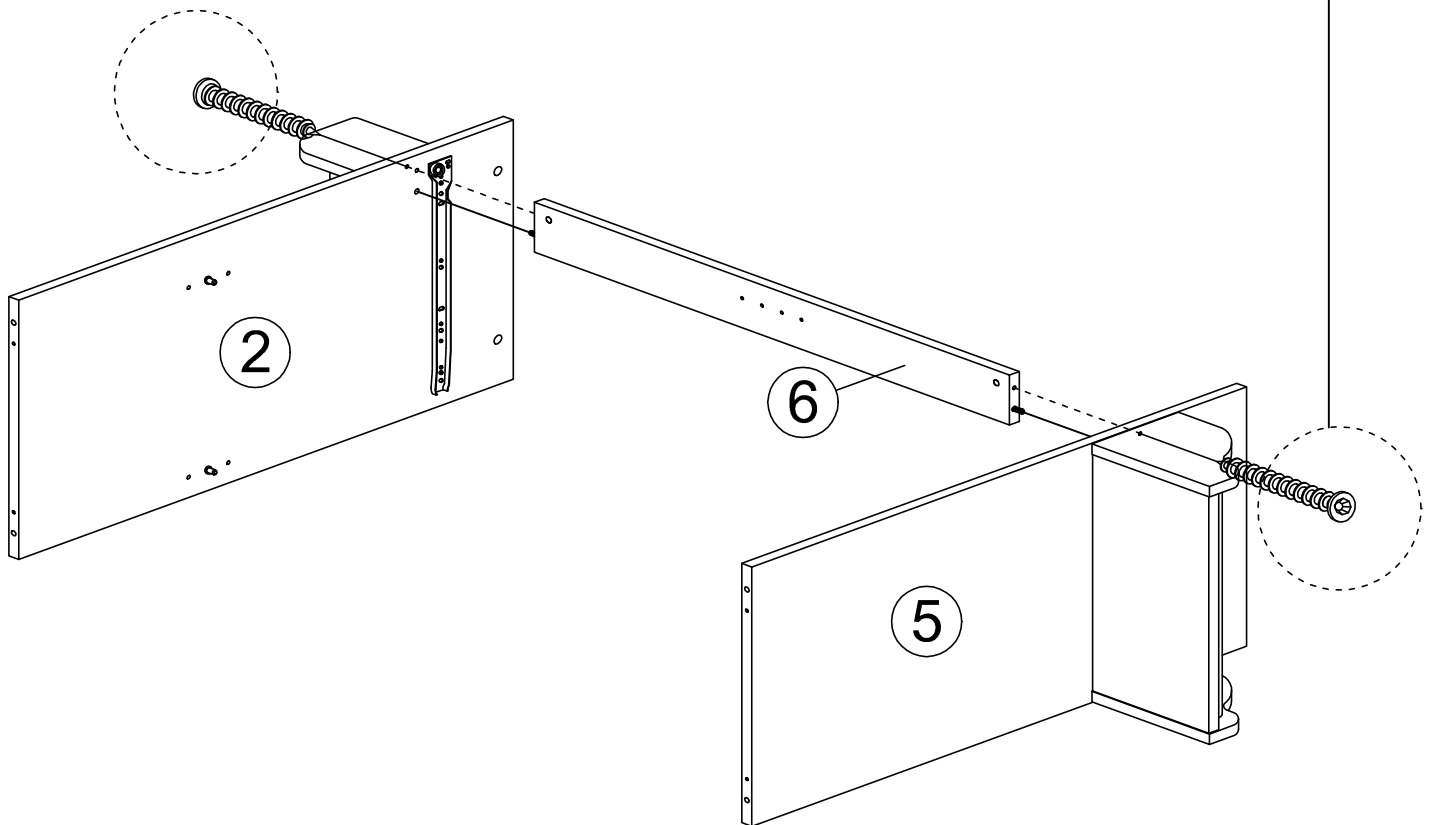
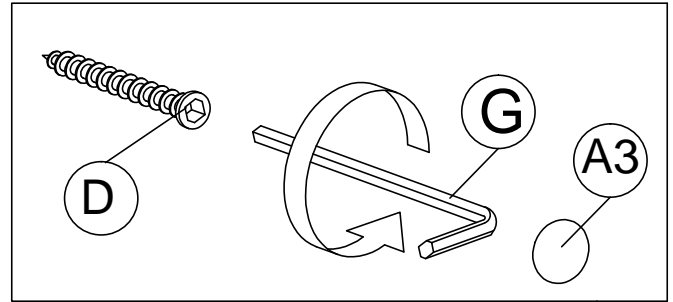


1. Put in the chrome pipe (L) to panel (1). Then fix panel (1) to panel (2) by using dowels (C) onto non-thru at panel (1) as shown.
2. Then tighten 2 x csk M6x50mm (D) from the thru-holes of panel (2) with allen key (G). After that insert 2 x cap (A3).

# HODEDAH®

## Step 9

G		ALLEN KEY	1
A3		CSK CAP	2
D		CSK CAP WOOD M6X50MM	2

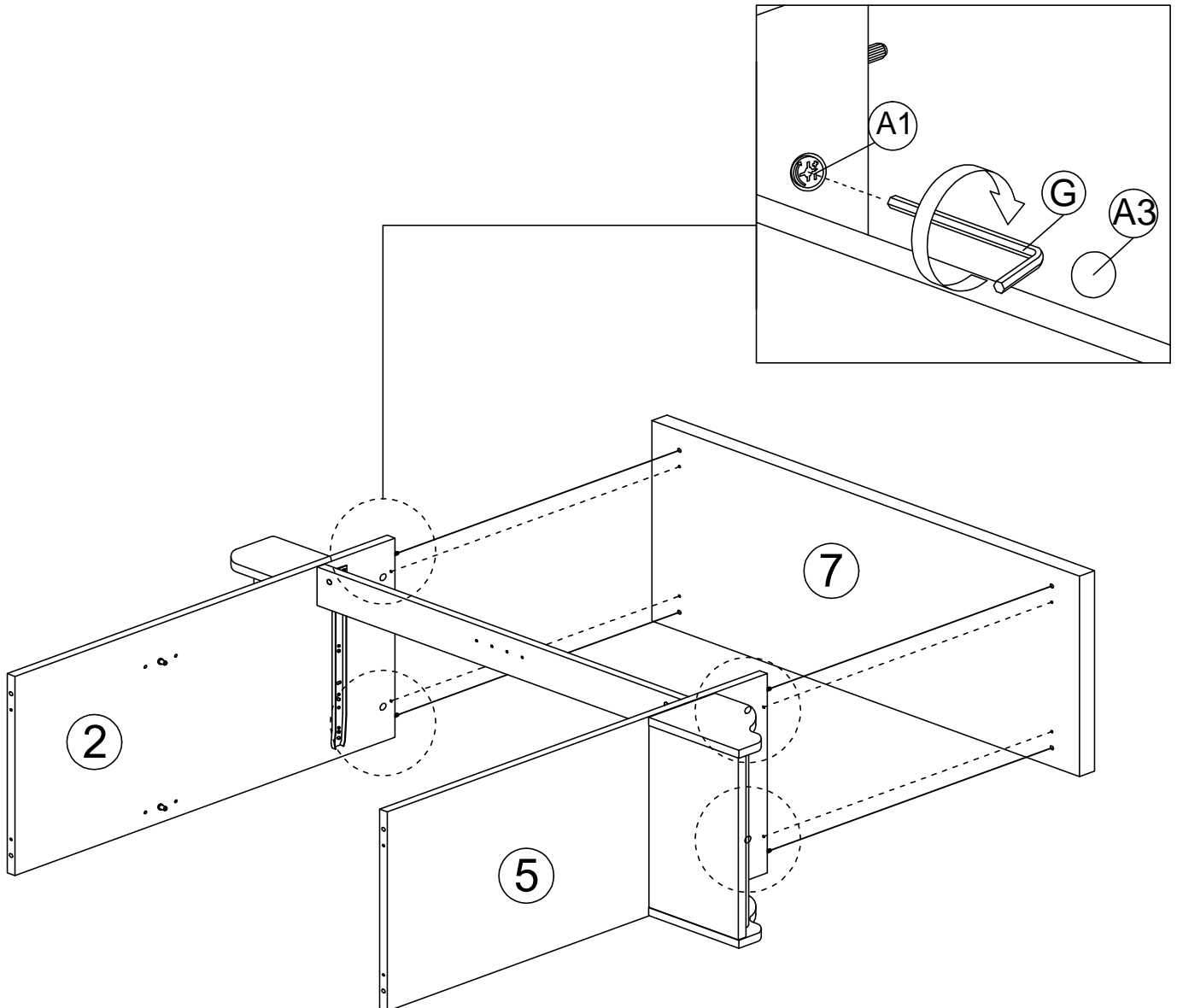


1. Place panel **(6)** to panel **(2 & 5)** by using dowels **(C)** onto non-thru at panel **(6)** as shown.
2. Then tighten 2 x csk M6x50mm **(D)** from the thru-holes of panel **(2 & 5)** with allen key **(G)**. After that insert 2 x cap **(A3)**.

# HODEDAH®

## Step 10

A1		MINIFIX NUT	4
A3		MINIFIX CAP	4
G		ALLEN KEY	1

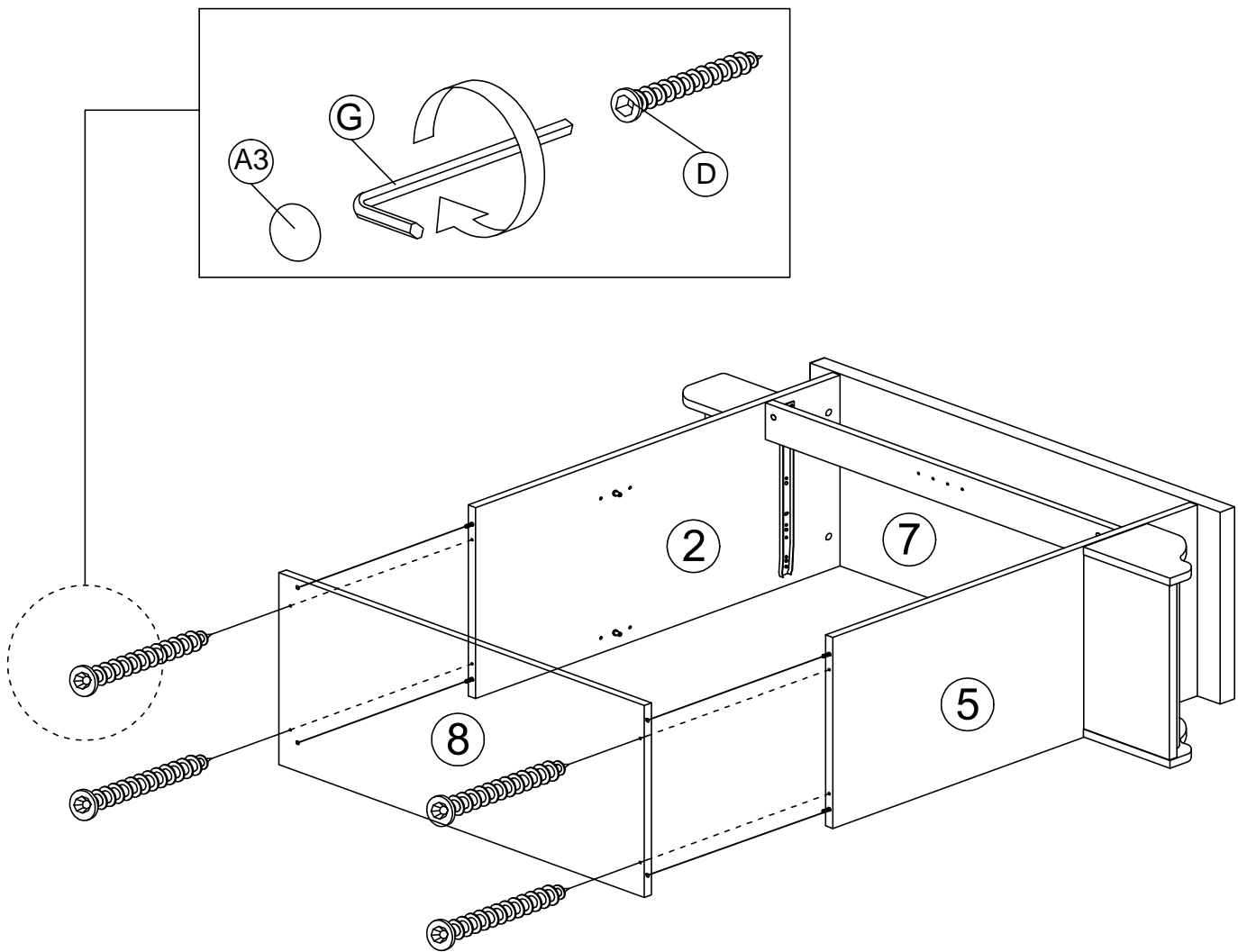


1. Place panel (7) to panels (2 & 5) by using dowels (C) onto non-thru at panel (2 & 5) as shown and insert 4 x minifix nut (A1) into panel (2 & 5) 's thru-holes with allen key (G) to tighten it. After that insert 4 x cap (A3).



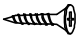


## Step 11

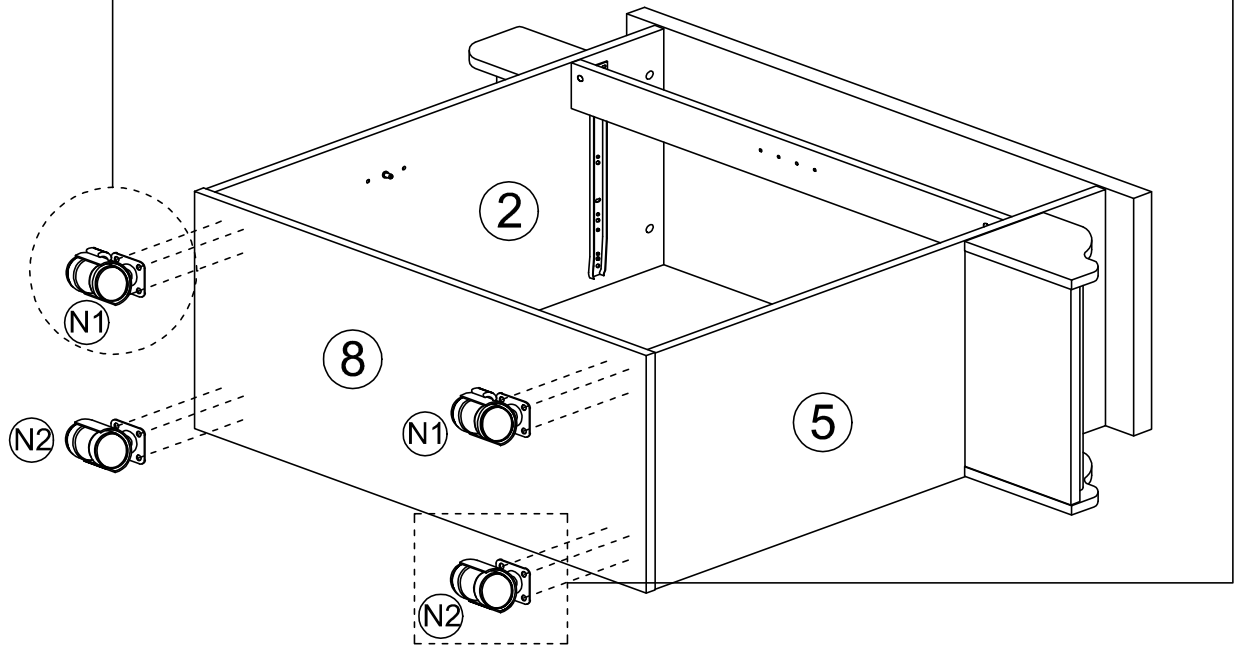
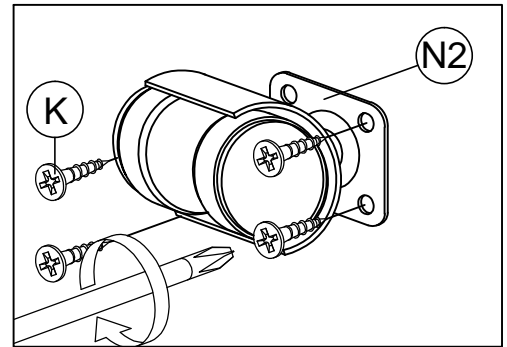
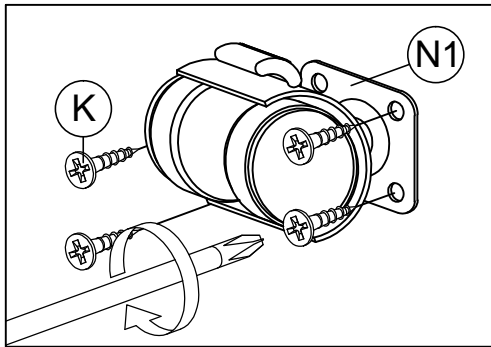
A3		MINIFIX CAP	4
D		CSK CAP WOOD M6X50MM	4
G		ALLEN KEY	1



1. Place panel (8) to panel (2 & 5) by using dowels (C) onto non-thru at panel (2 & 5) as shown.
2. To tighten 4 x csk M6x50mm (D) from the thru-holes of panel (8) with allen key (G). After that insert 4 x cap (A3).

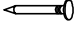
## Step 12

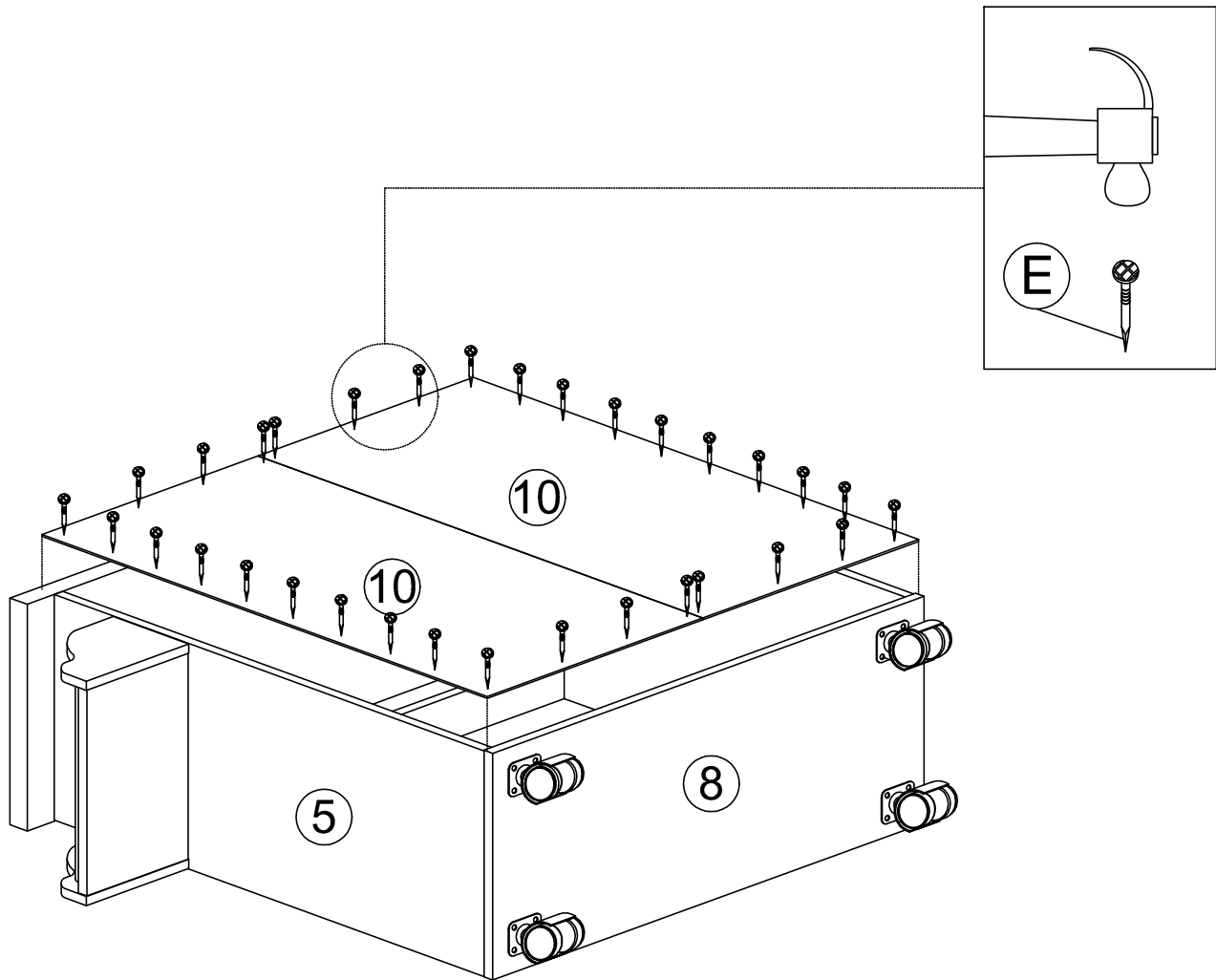
K		CB SCREW M3.5X16MM	16
N1		CASTER WITH STOPPER	2
N2		CASTER W/O STOPPER	2



1. Fix 4 x caster (**N1& N2**) onto panel (**8**) 4 side edges by using 16 x screws (**K**) with screwdriver.

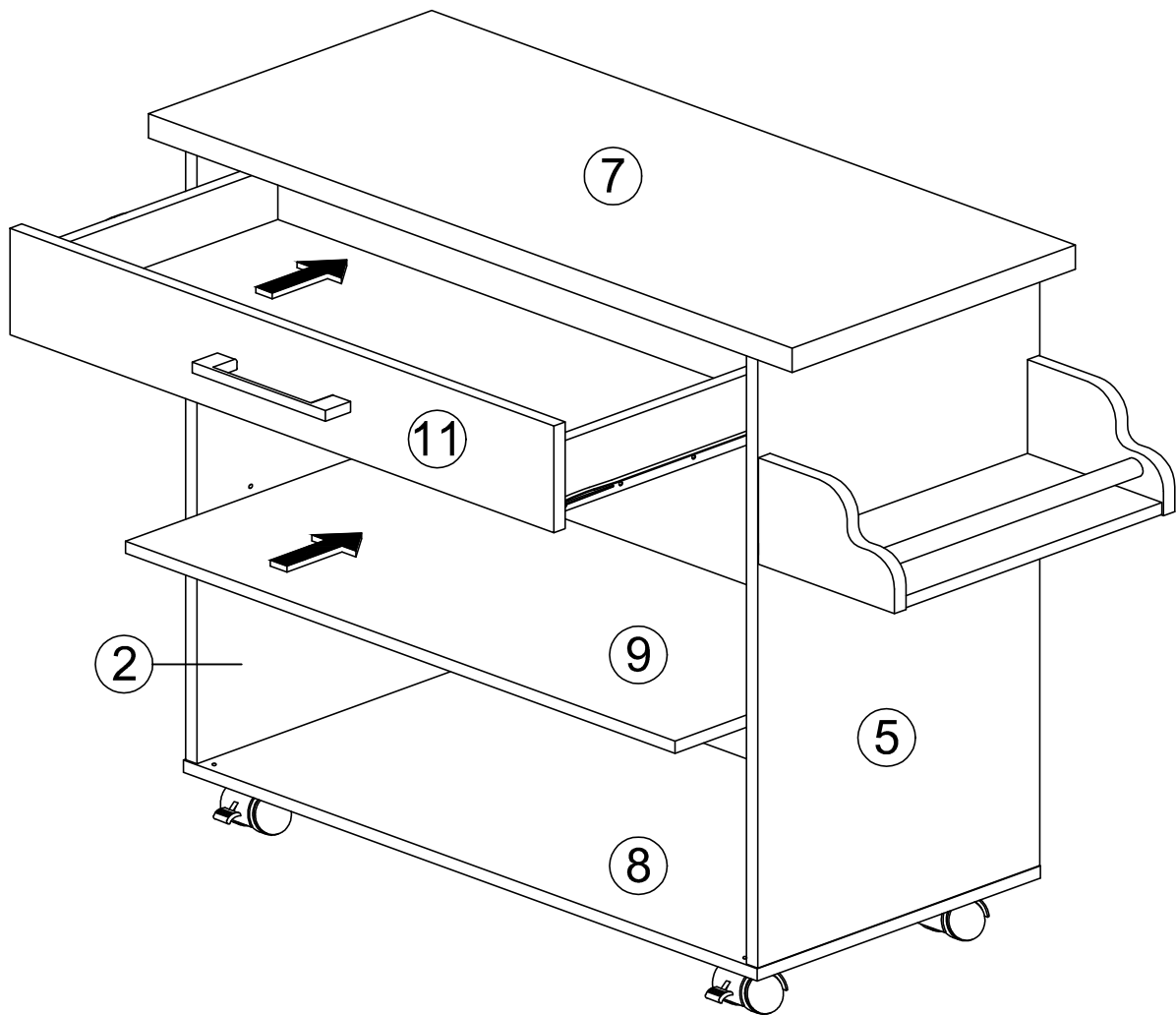
## Step 13

E		NAIL 5/8	22
---	---	----------	----



1. At face down position, place 2 x panel **(10)** onto the back of the main unit and align it properly for nailing. Use hammer to nail the nails **(E)** one by one on the line drawn and at center of 4 side edges. Gap between 2 nails should be about 90mm for all.

## Step 14

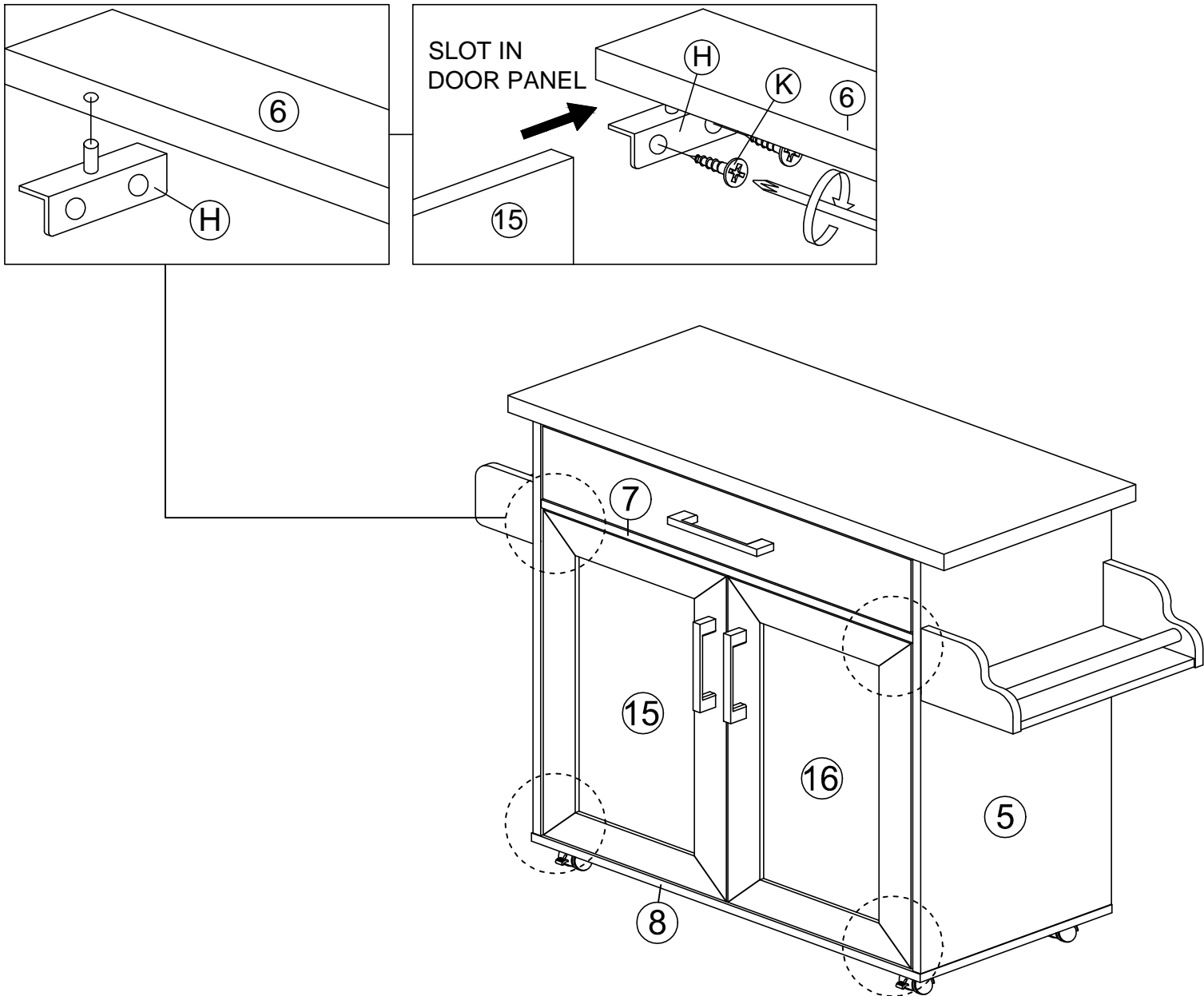


1. Slide in the drawer (11) by slotting the rollers at each end of drawer slide (R2) onto the rail of drawer slide (R1) fixed at side panel (2 & 5).
2. Take panel (9) and slide it on the 4 shelf support top as shown.

# HODEDAH®

## Step 15

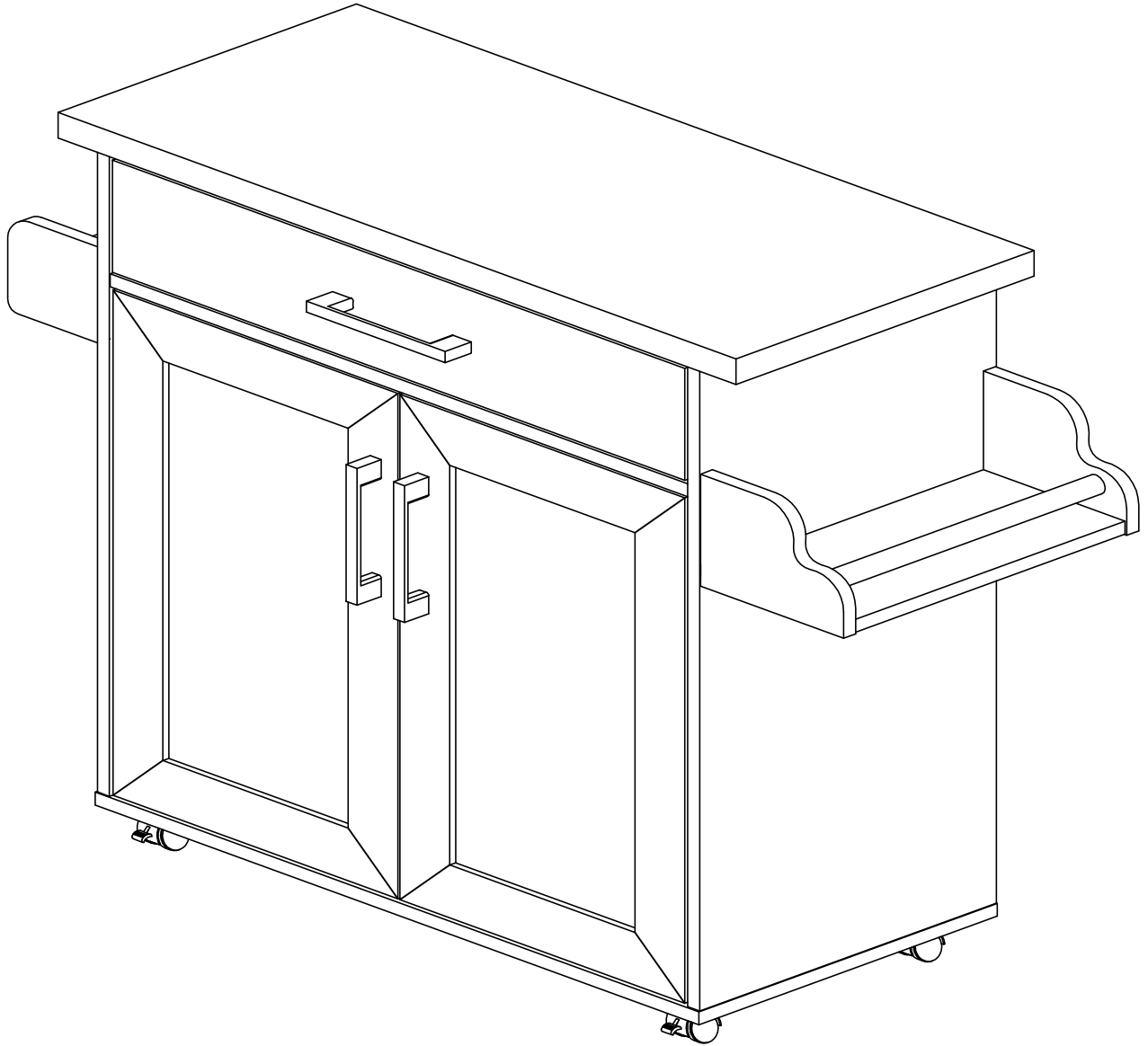
### Final step...



1. Insert 2 x mt stopper (**H**) into panels (**6**) bottom side. After that, attach panel (**15 & 16**) with mt stopper (**H**) by using 4 x screws (**K**) .
2. Insert 2 x mt stopper (**H**) into panel (**8**) upper side. After that, attach panel (**15 & 16**) with mt stopper (**H**) by using 4 x screws (**K**).

# HODEDAH®

## Job Complete...



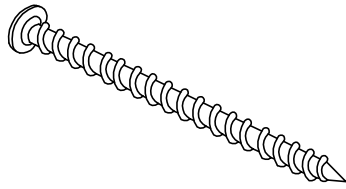
Enjoy & Thank you for purchasing from Hodedah!



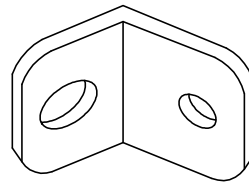
# HODEDAH®

## Installation of Anti-Tip Restraint

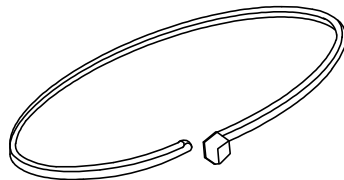
Kit includes:



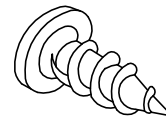
**A (x2)**  
Long screw



**B (x4)**  
Mounting bracket



**C (x2)**  
Restraint strap



**D (x2)**  
Short screw



## WARNING



**Serious or fatal crushing injuries can occur from furniture tip-over. To help Prevent tip-over:**

- Install tip-over restraint provided
- Place heaviest items in the lower drawers
- Do not set TV's or other heavy objects on top of this product
- Never allow children to climb or hang on drawers, doors or shelves
- Never open more than one drawer at a time
- Do not defeat or remove the drawer interlock system

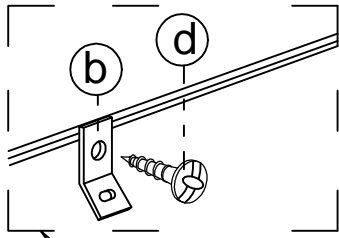
**Use tip-over restraints may only reduce but not eliminate the risk of tip-over.**

**IMPORTANT:** Use of this safety kit is mandatory. This restraint is not a substitute for proper adult supervision. Failure to detach this restraint before moving furniture may result in injury and damage. **If the safety kit is not in the box, please contact our consumer service team at Tel. 1 (718) 456 0505 or Email Support@Hodedah.com in order to obtain one before using the furniture.**

## FITTING OF ANTI-TIP SAFETY STRAP

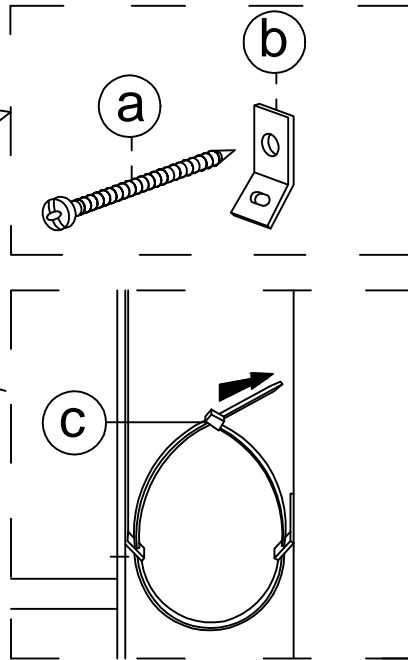
### STEP 1:

- Attach the mounting bracket (b) to the furniture in the solid part below the top panel a few inches away from the side of the unit.
- Screw (d) through the smallest hole of (b).



### STEP 2:

- Locate a stud in behind the have to
- Place the other mounting bracket (b) on the wall stud 2 inches below the mounting bracket secured to the back of your unit.
- Attach to the wall stud using (c) through the smaller hole of (b).



### STEP 3:

- Repeat the same step a few inches away from the other side of the unit.
- Place the furniture into position so both mounting brackets are vertically in line.
- Lace the end of the restraint strap through the larger holes in each mounting bracket.
- Secure the straps and lock into place.

