

# HODEDAH®

## Assembly Instructions

This instruction booklet contains important safety information, please read and keep for future reference.

### ITEM # HIK 76

Kitchen Stand Cabinet (Low)



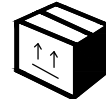
2 people



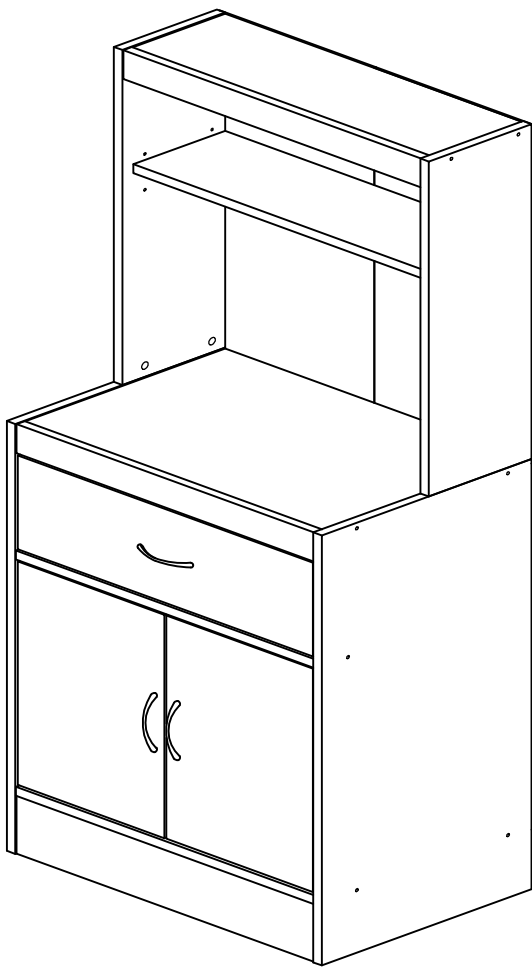
70 mins



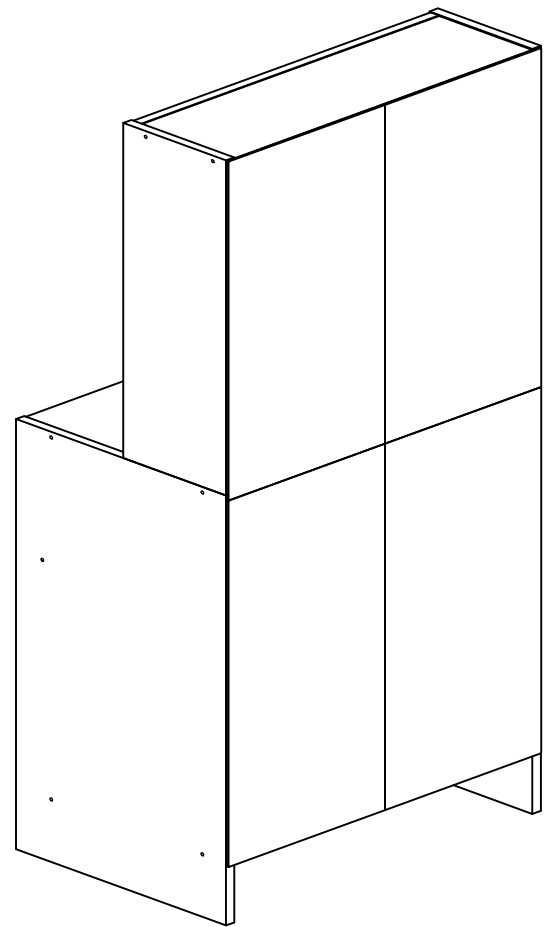
1 YR LTD



1 Box



FRONT VIEW



REAR VIEW

**Product Dimensions : Height 53.9" x Width 23.6" x Depth 15.7"**

# HODEDAH®

Questions, need parts, we are here to help!



Phone

Mon - Fri | 9:30am to 5pm EST

1 - 855 - HODEDAH

1 - 855 - 463 - 3324



Email

Send us an email

Support@Hodedah.com



Website

Visit our website to open a case

www.Hodedah.com

FOR PROMPT, RELIABLE SERVICE PLEASE HAVE YOUR INSTRUCTION MANUAL READY



## DO NOT RETURN PRODUCT TO THE STORE

If parts are missing or damaged please contact our customer service team and we will gladly ship your replacement parts FREE of charge within ONE YEAR of purchase!

## WARRANTY

Hodedah warrants this product to be free from defect in materials and workmanship and agrees to remedy and such defect. This warranty covers one year from the date of original purchase. This is solely limited to replacement of defective parts and no assembly for labor is included. This warranty does not apply to any product that has been improperly assembled, subjected to misuse, abuse or which has been altered or repaired in any way. To obtain warranty service, original purchaser must present the following; original bill of sale, date of purchase, where the product was purchased and images if applicable. Components replaced warranted through the remainder of the original warranty only. The defective part will be replaced without charge, subject to the terms and conditions described above.

## WARNING

- This product contains small parts, keep away from children.
- This product contains plastic bags, keep away from children.
- Serious or fatal crushing injuries can occur from furniture tip-over. To help prevent this, place heaviest items on the lower shelves and drawers. Do not set heavy object on top shelves and drawers.
- Never allow children to climb or hang on drawers, shelves and doors.
- Never open more than one drawer at a time.
- The use of tip-over restraints may reduce but not eliminate the risk of tip-over.

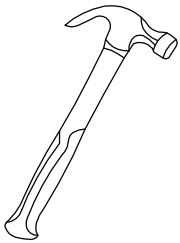
# HODEDAH®

## Let's get started...

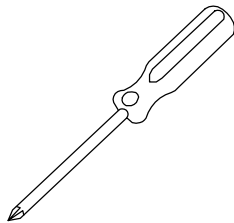
### Helpful hints, read before beginning assembly

- Make sure you receive all boxes. if your item is packed in one box, box count will read 1 of 1, likewise if your item is packed in two boxes, box count will read 1 of 2 and second box will read 2 of 2.
- Read each step carefully. It is very important that each step is performed in the correct order. If these steps are not followed in sequence, assembly difficulties will occur.
- Work in a spacious level area, preferably carpet, near the place the unit will be used.
- **DO NO USE** power tools to assemble your furniture, it will strip and damage parts.
- Your package should include the following hardware and parts. Parts are labeled or stamped on the raw edge. Please inspect contents to ensure you have received all components. **If you are missing any hardware or parts please contact customer service right away before assembly.**

## Assembly Tools Required (not supplied)



Hammer



Philips Screwdriver



Tape Measure




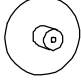
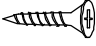



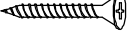
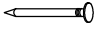
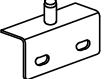

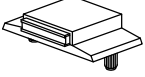
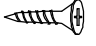


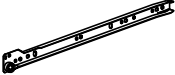




No Power Tools Needed

## Product Care and Maintenance

- Wipe clean with dry soft cloth, never use chemicals or cleaning products they will damage the finish.
- Avoid placing your furniture in direct sunlight, as sunlight causes fading.
- Never push, drag or pull your furniture, to move to a new location carefully with two or more people carry the unit to its new location.
- Avoid extreme changes in temperature by arranging furniture away from radiators, heat and air vents and air conditioning units.

## Hardware List

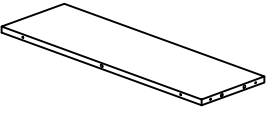
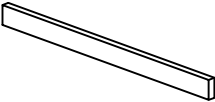
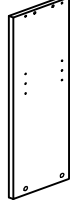
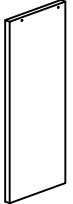
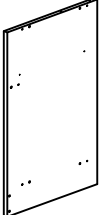
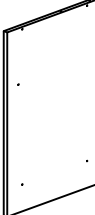
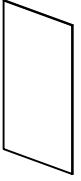


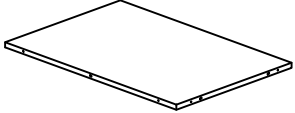
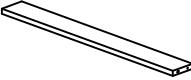
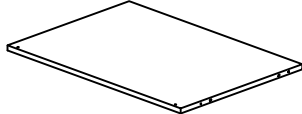
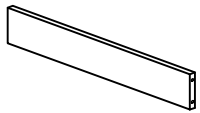
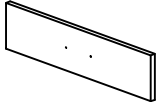


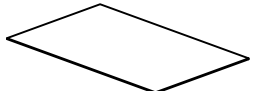
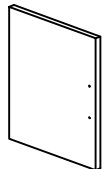
<b>A</b>  <b>M8X25MM</b>	<b>QTY</b>  20 Pcs	<b>B1</b>  <b>Minifix Bolt</b>	<b>QTY</b>  8 Pcs	<b>B2</b>  <b>Minifix Nut</b>	<b>QTY</b>  8 Pcs
<b>B3</b>  <b>Minifix Cap</b>	<b>QTY</b>  22 Pcs	<b>C</b>  <b>M3.5X16MM</b>	<b>QTY</b>  20 Pcs	<b>D</b>  <b>M4X38MM</b>	<b>QTY</b>  10 Pcs
<b>E</b>  <b>M6X50MM</b>	<b>QTY</b>  14 Pcs	<b>F1</b>  <b>Moon Handle (PVC)</b>	<b>QTY</b>  3 Pcs	<b>F2</b>  <b>M4X22MM</b>	<b>QTY</b>  4 Pcs
<b>G</b>  <b>Nail 5/8</b>	<b>QTY</b>  32 Pcs	<b>H</b>  <b>MT Stopper</b>	<b>QTY</b>  4 Pcs	<b>I1</b>  <b>Magnet Plate</b>	<b>QTY</b>  2 Pcs
<b>I2</b>  <b>3.5kg Magnet</b>	<b>QTY</b>  2 Pcs	<b>I3</b>  <b>M3.5X12MM</b>	<b>QTY</b>  2 Pcs	<b>J</b>  <b>Shelf Support</b>	<b>QTY</b>  4 Pcs
<b>K</b>  <b>Allen Key</b>	<b>QTY</b>  1 Pcs	<b>L1</b>  <b>Drawer Slide "14</b>	<b>QTY</b>  2 Pcs	<b>L2</b>  <b>Drawer Slide "14</b>	<b>QTY</b>  2 Pcs
<b>M</b>  <b>PVC Nail With Pin 5/8</b>	<b>QTY</b>  4 Pcs				

### Important

1. Before you throw the package, please use the Check Box to identify the parts and hardware to ensure that you have everything you need.
2. Check and measure the bolts before applying them to parts.
3. Do not completely tighten all hardware until the entire assembly is complete, unless indicated otherwise.

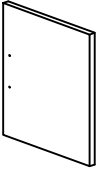
# HODEDAH®

## Parts List

1  568x178x15mm	QTY 1 Pcs	2  568x52x15mm	QTY 2 Pc	3  600x196x15mm	QTY 1 Pcs
4  600x196x15mm	1 Pcs	5  770x400x15mm	1 Pcs	6  770x400x15mm	1 Pcs
7  607x298x2.5mm	2 Pcs	8  656x298x2.5mm	2 Pcs	9  568x175x15mm	1 Pcs
10  568x382x15mm	1 Pcs	11  568x66x15mm	1 Pcs	12  568x399x15mm	1 Pcs
13  568x104x15mm	1 Pcs	14  562x168x15mm	1 Pcs	15  340x116x15mm	2 Pcs
16  511x116x15mm	1 Pcs	17  542x340x2.5mm	1 Pcs	18  400x279x15mm	1 Pcs

# HODEDAH®

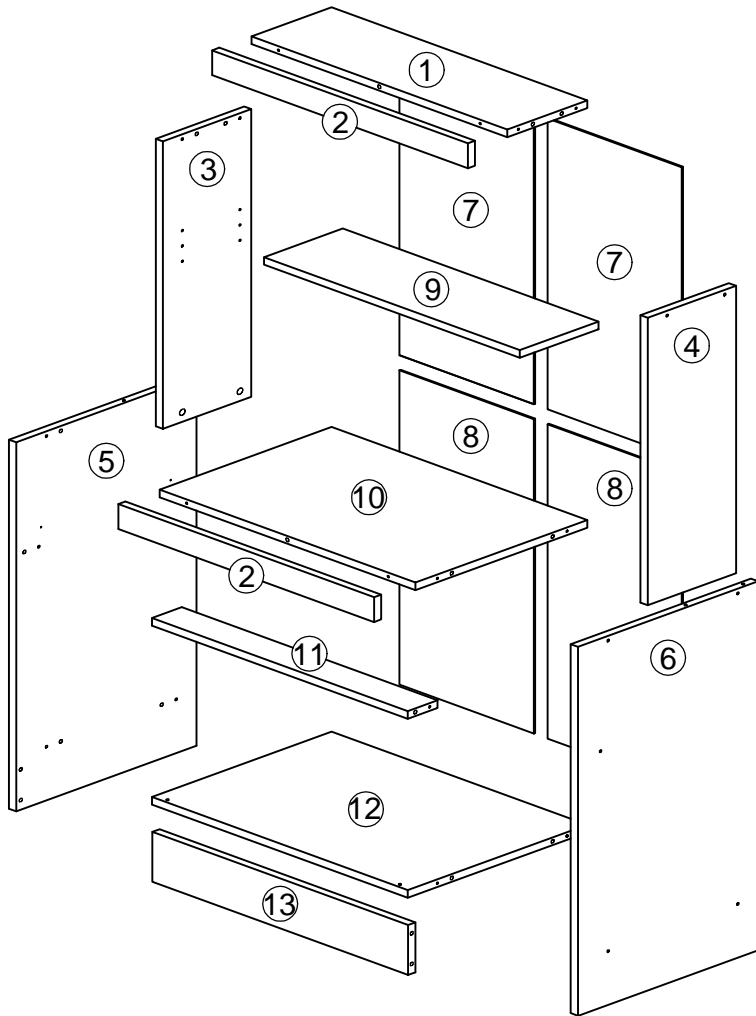
## Parts List

19		QTY
400x279x15mm	1	Pcs

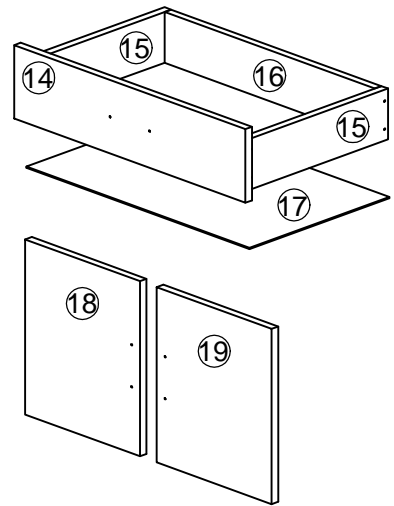
# HODEDAH®

## The Breakdown...

### I) Main Unit :

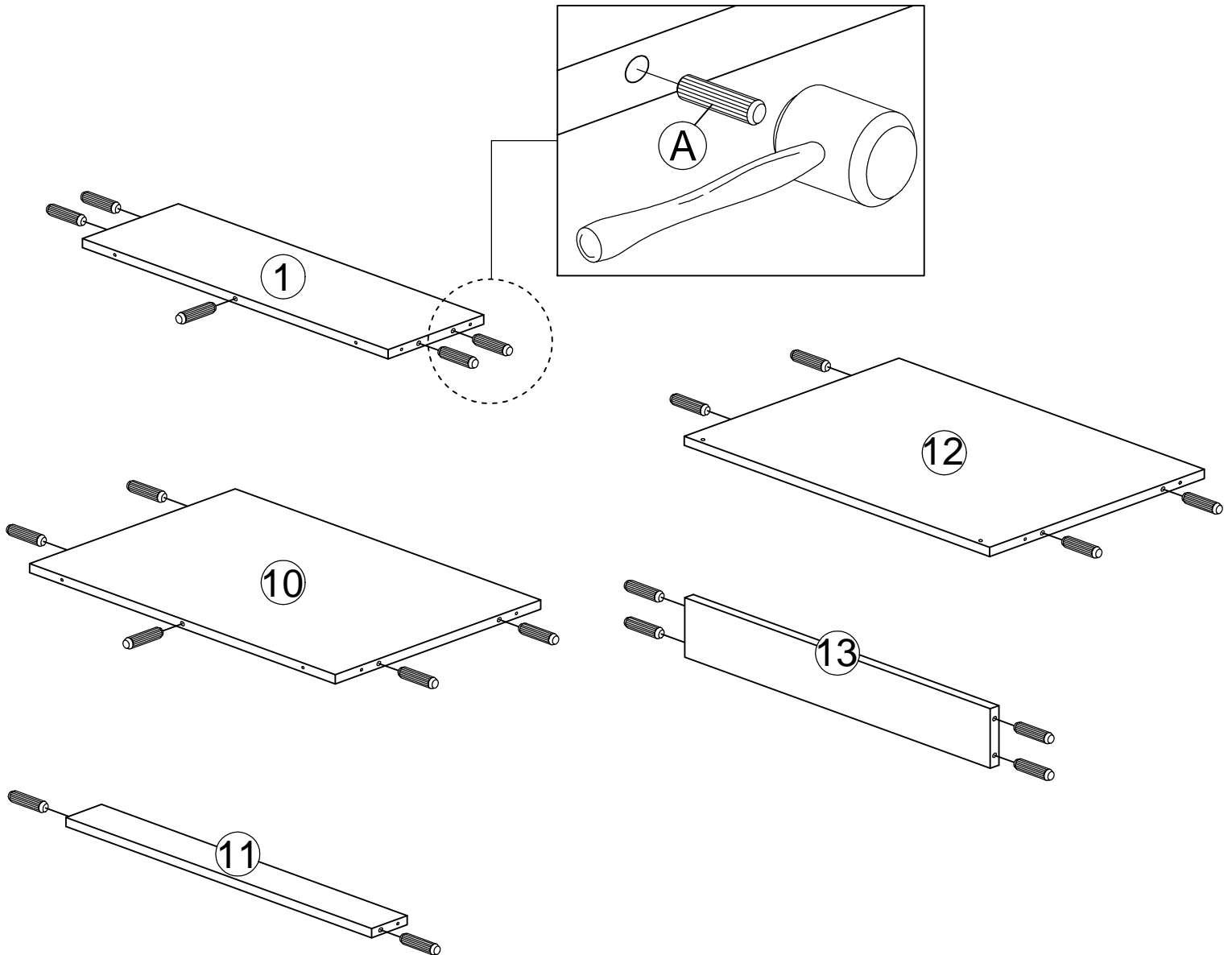


### II) Door & Drawer :



## Step 1

A	 WOOD DOWEL M8x25MM	20
---	--	----

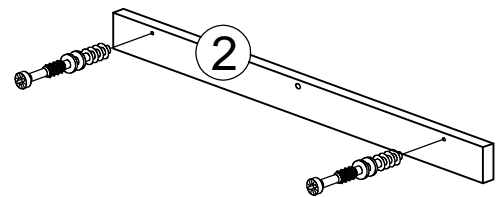
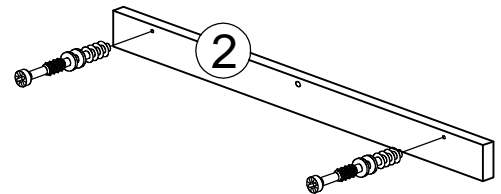
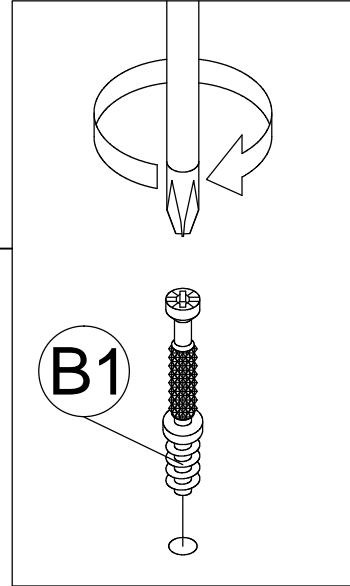
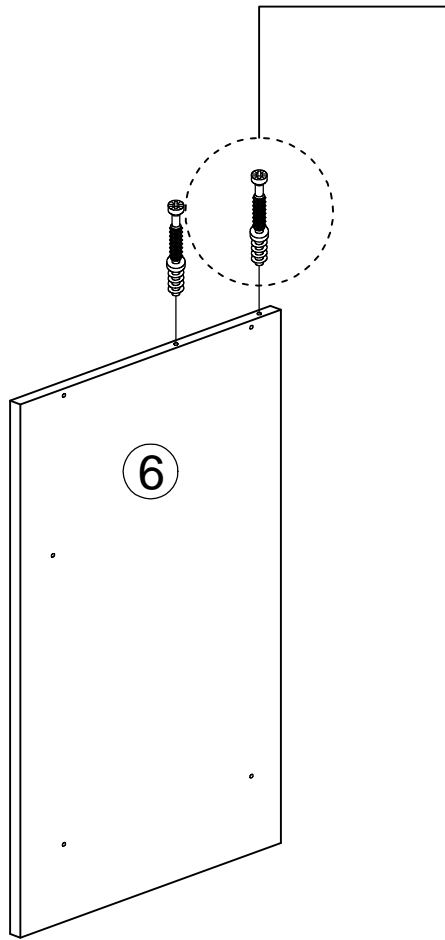
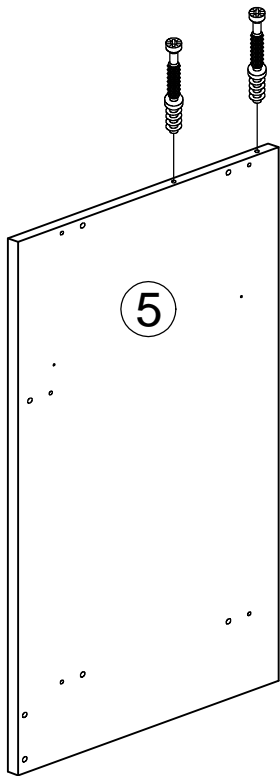


1. Insert 20 x Wood Dowels (A) into panel (1,10,11,12 & 13).





## Step 2

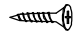

B1		MINIFIX BOLT	8
----	---	--------------	---

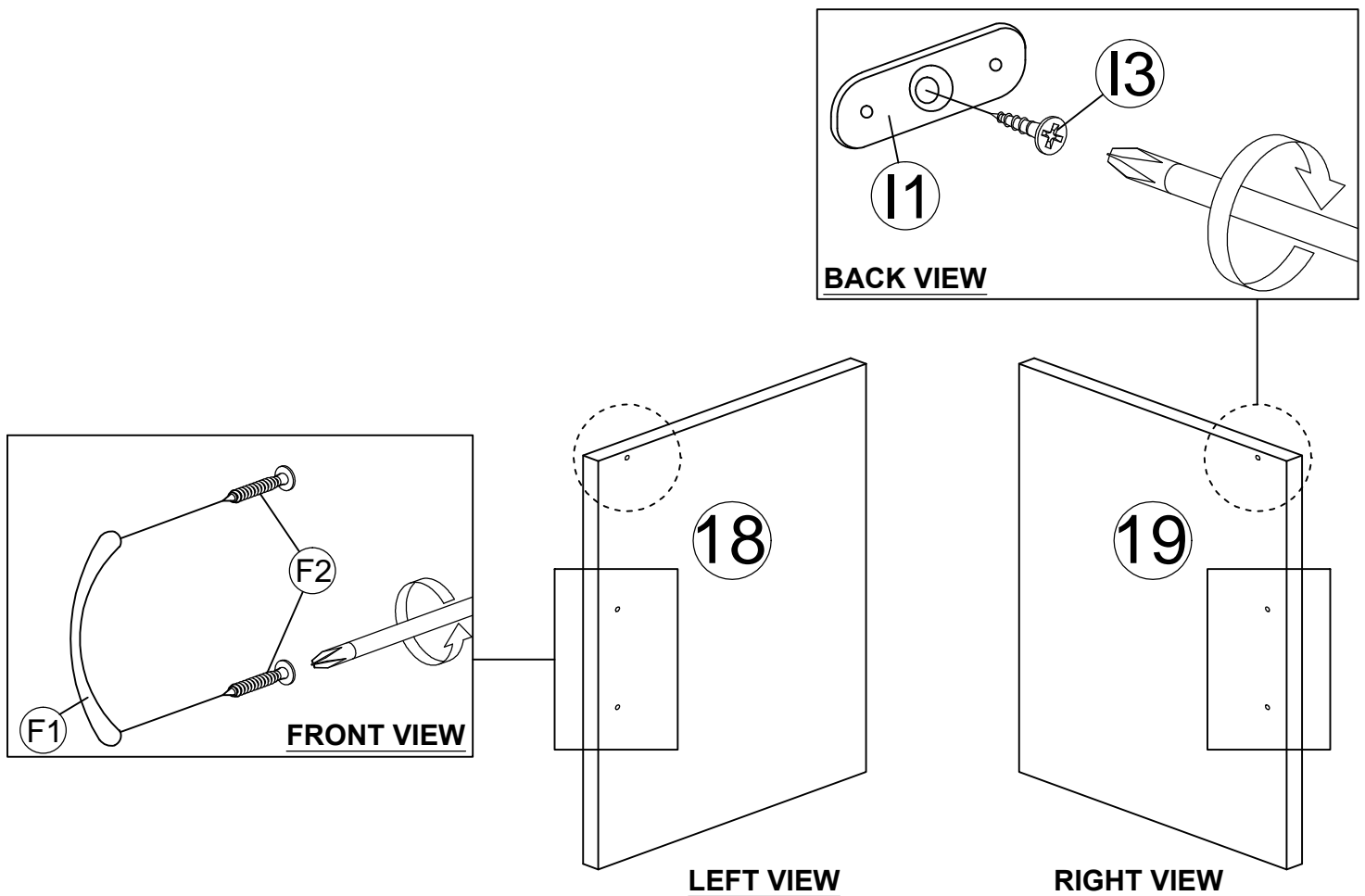


1. Tighten 8x Minifix Bolt (**B1**) onto top side of side panel (**5 & 6**) and 2x Minifix Bolt (**B1**) onto each of 2x panel (**2**) (*As Shown*).

## Step 3



F2		CB SCREW M4X22MM	4
F1		MOON HANDLE (PVC)	2

I3		CB SCREW M3.5X12MM	2
I1		MAGNET PLATE (1 HOLE)	2

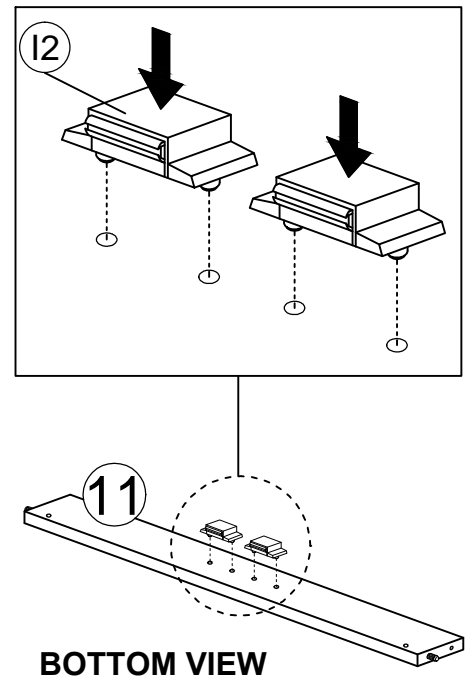
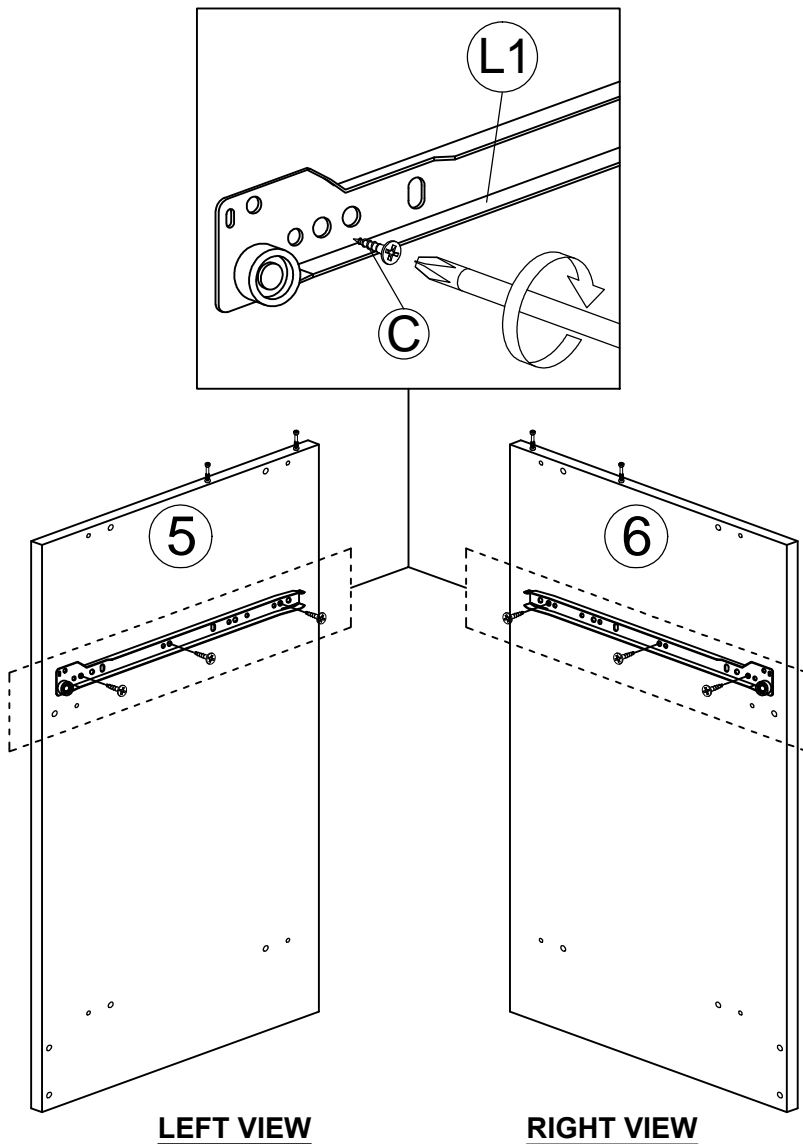


1. Tighten Handle (**F1**) onto door panel (**18 & 19**) with CB Screw M4x22mm (**F2**) using screwdriver.
2. Fix metal plate (**I1**) onto door panel (**18 & 19**) back view with CB Screw M3.5x12mm (**I3**) using screwdriver.

## Step 4

C		CB SCREW M3.5X16MM	6
L1		DRAWER SLIDE 14"	2


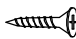
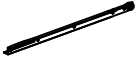
I2		3.5KG MAGNET	2
----	--	--------------	---



**BOTTOM VIEW**

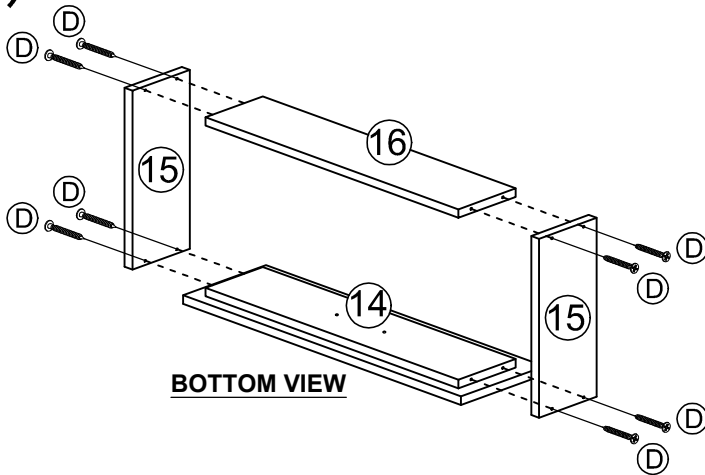
1. Place the Drawer Slide (L1) onto 3 holes area as shown at right view panel (2). Then tighten it with 3 x CB Screw M3.5x16mm (C).
2. Place the Drawer Slide (L1) onto 3 holes area as shown at left view panel (5). Then tighten it with 3 x CB Screw M3.5x16mm (C).
3. At bottom view position, fix 2x Magnet (I2) onto bottom view of panel (11) (As Shown).

## Step 5

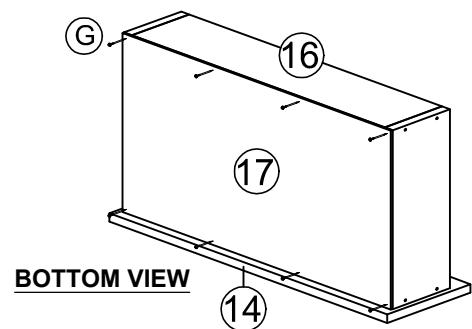
D		CB SCREW M4X38MM	10
C		CB SCREW M3.5X16MM	6
L2		DRAWER SLIDE 14"	2

G		NAIL 5/8	8
F1		MOON HANDLE (PVC)	1

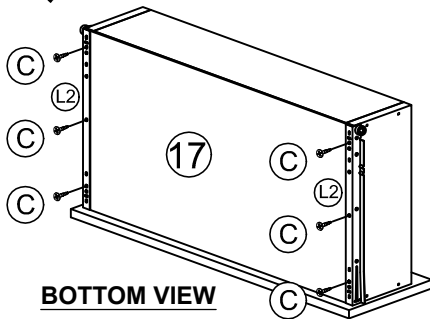
(1)



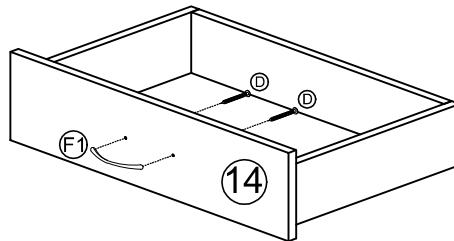
(2)



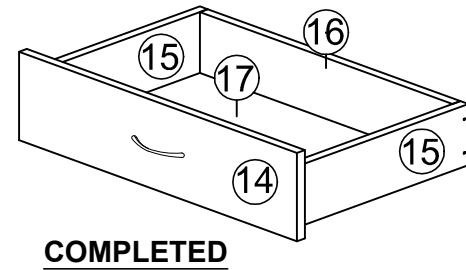
(3)



(4)



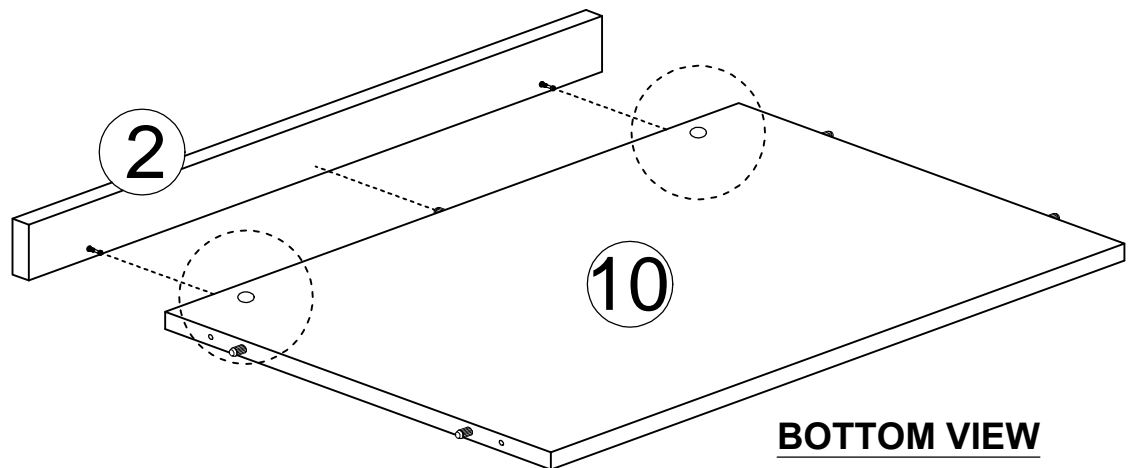
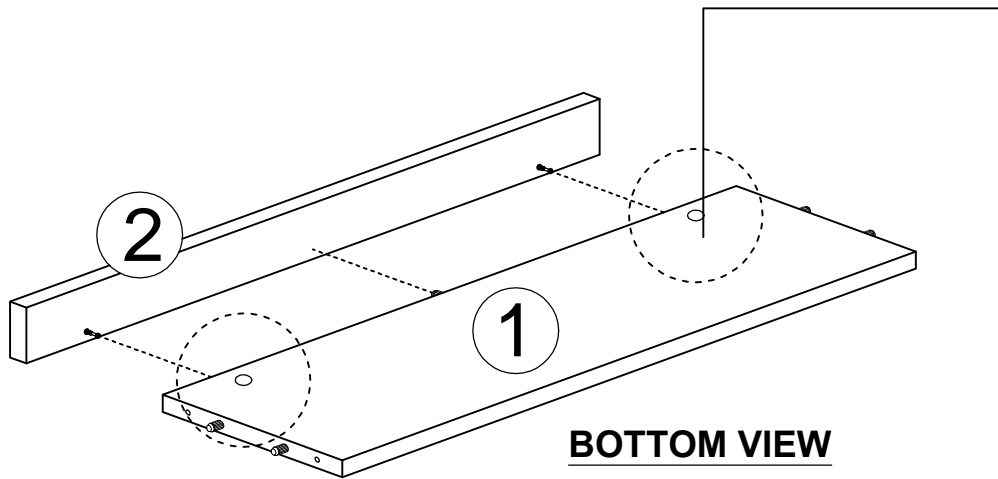
(5)



1. At bottom view position, place 2x panel (15) next to each side of panel (14 & 16). Then tighten 4x Screws (D) from each side of 2x panel (15) with screwdriver.
2. Take panel (17) and using Nails (G) slightly hammer it into the edges, through panel (17) onto panel (14 # Drawer front) and (16 # Drawer back).
3. Then place Drawer Slide (L2) onto the edges of panels (15) both sides and screw in three Letter (D) Screws onto each hole of the drawer slide connecting it to panels (15) with screwdriver. **(As Shown)**.
4. Flip drawer around and attach Handle (F1) to front panel (14) by using 2x Screws (E) from the inner side panel (11) with screwdriver.

## Step 6

B2		MINIFIX NUT	4
B3		MINIFIX CAP	4
K		ALLEN KEY	1

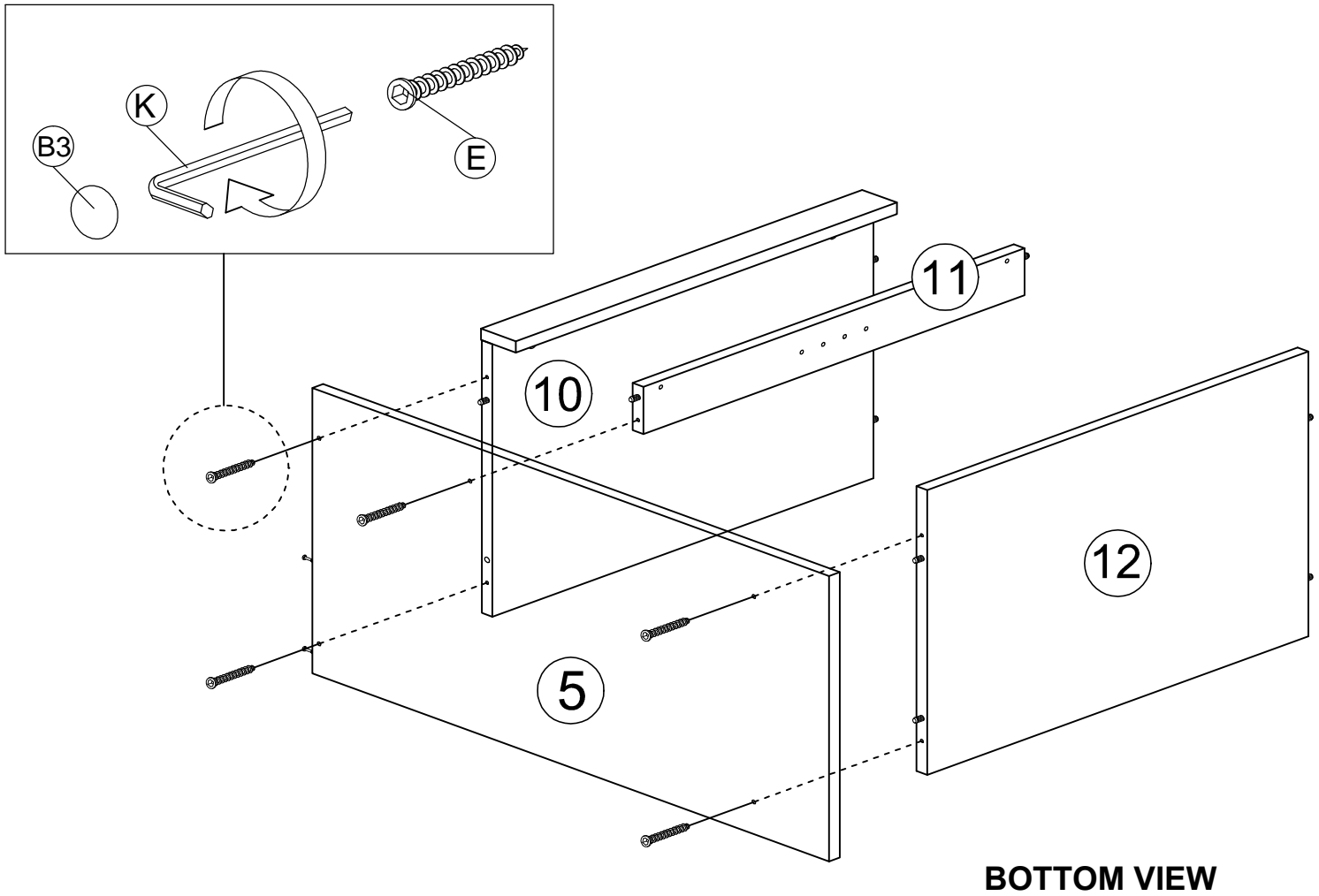


1. At bottom view position, fix 2x panel (2) to panel (1 & 10) with 4x Minifix Nut (B2) using Allen Key (K). After that, insert 4x cap (B3).

# HODEDAH®

## Step 7

E		CSK CAP WOOD M6X50MM	5
B3		MINIFIX CAP	5
K		ALLEN KEY	1

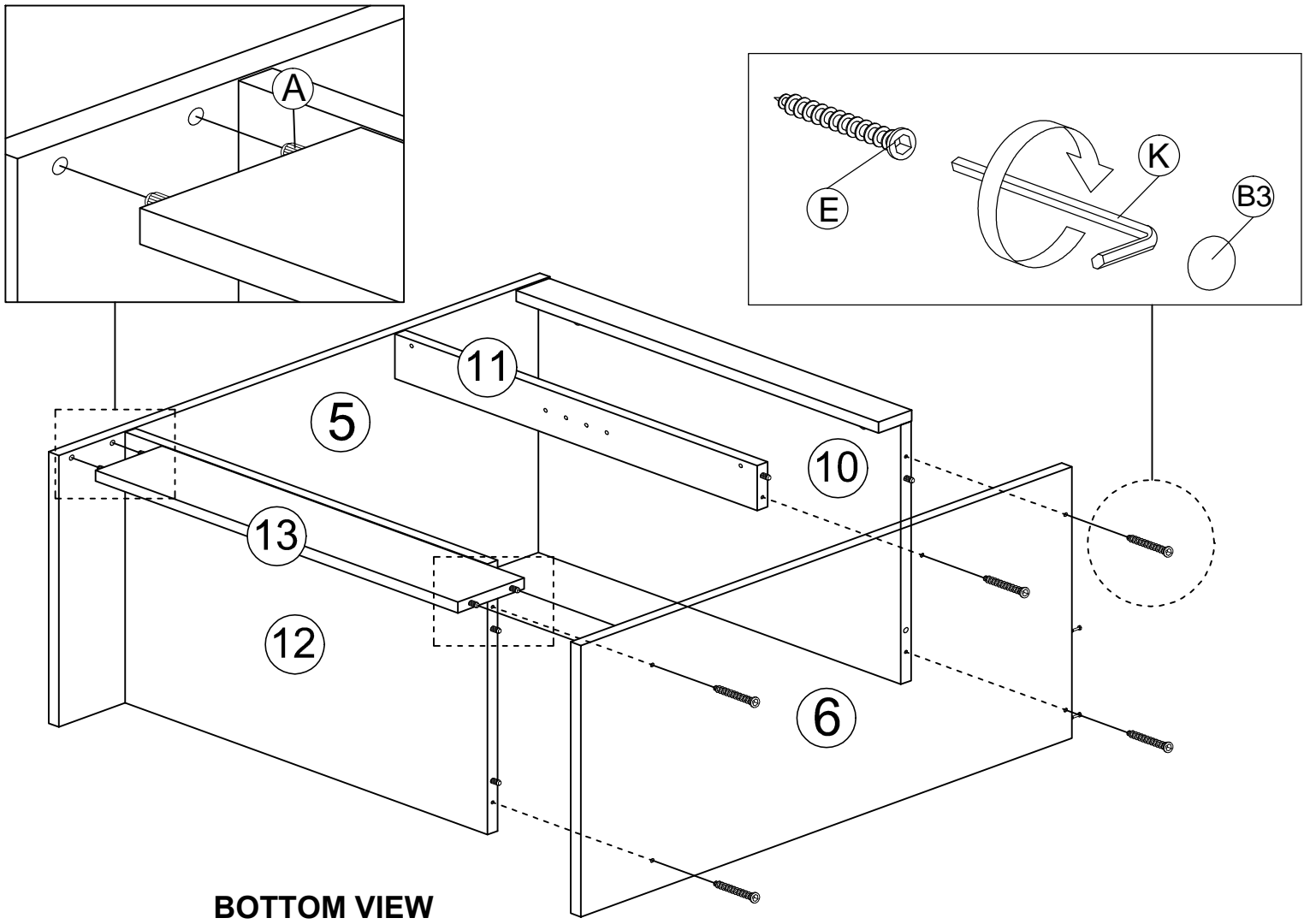


1. At bottom view position, fix side panel (5) to panel (10,11 & 12) with 5x Screw (E) using Allen Key (K). After that, insert 5x cap (B3).

# HODEDAH®

## Step 8

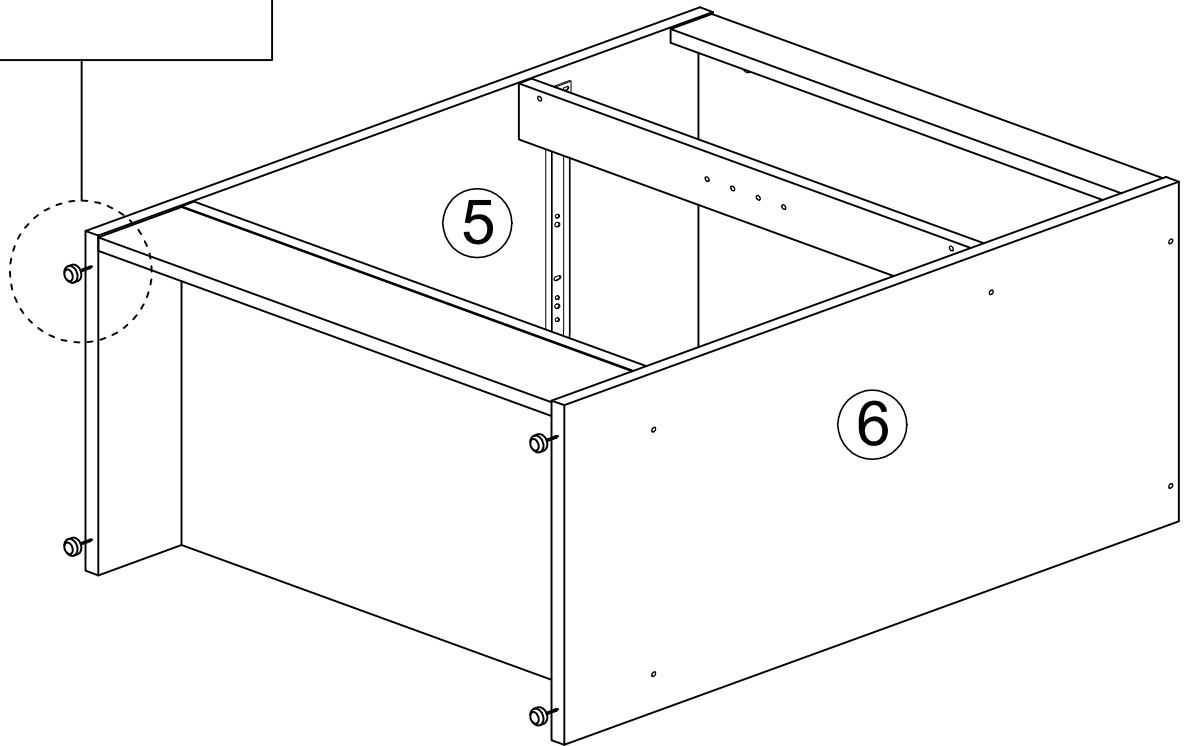
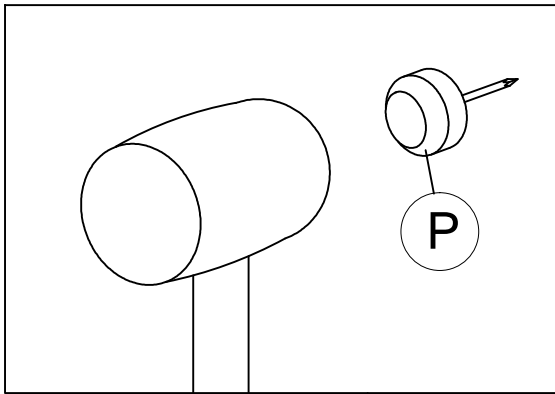
E		CSK CAP WOOD M6X50MM	5
B3		MINIFIX CAP	5
K		ALLEN KEY	1



1. Fix panel (13) to panel (5 & 6) by using Dowels (A) onto non-thru holes at panel (5 & 6) and tighten 5x Screw (E) from the thru-holes of panel (6) with Allen Key (K) to panel (10,11 & 12). After that insert 5x cap (B3).

## Step 9

P		PVC NAIL WITH PIN 5/8	4
---	---	-----------------------	---

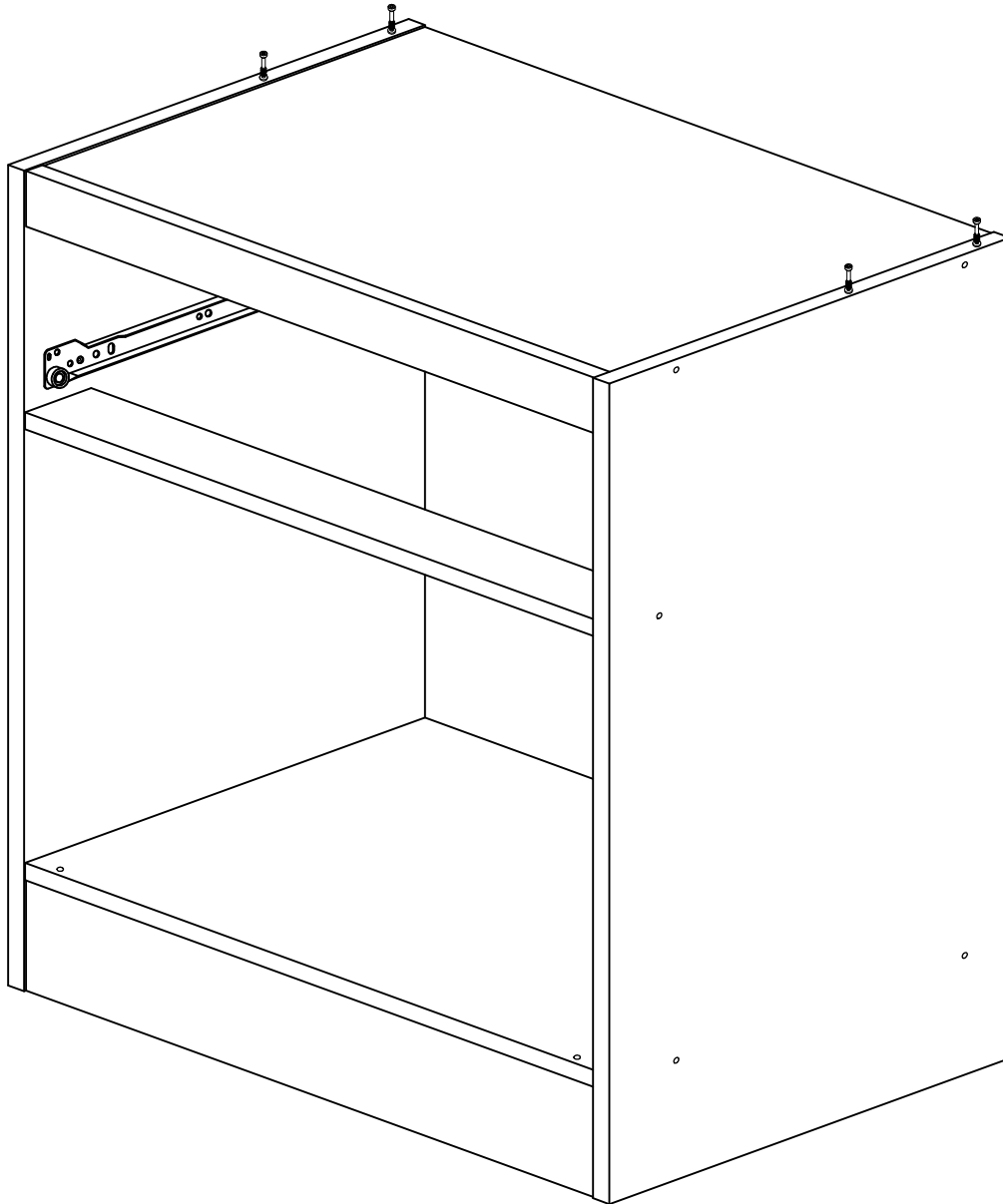


1. Fix 4x PVC Nail (**P**) on bottom of side panel (**5 & 6**) with 2x PVC Nail (**P**) on each side panel (**5 & 6**).



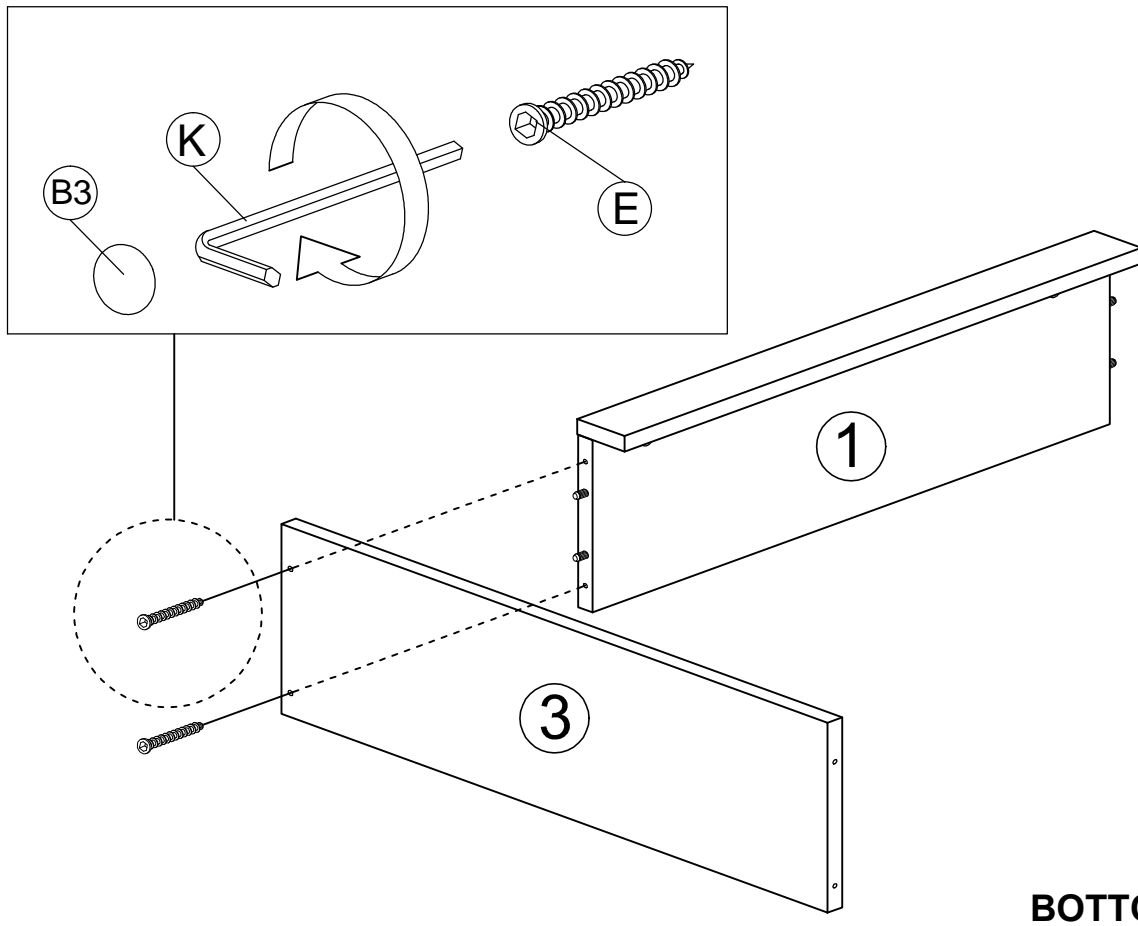
# HODEDAH®

## Part 1



## Step 10

E		CSK CAP WOOD M6X50MM	2
B3		MINIFIX CAP	2
K		ALLEN KEY	1

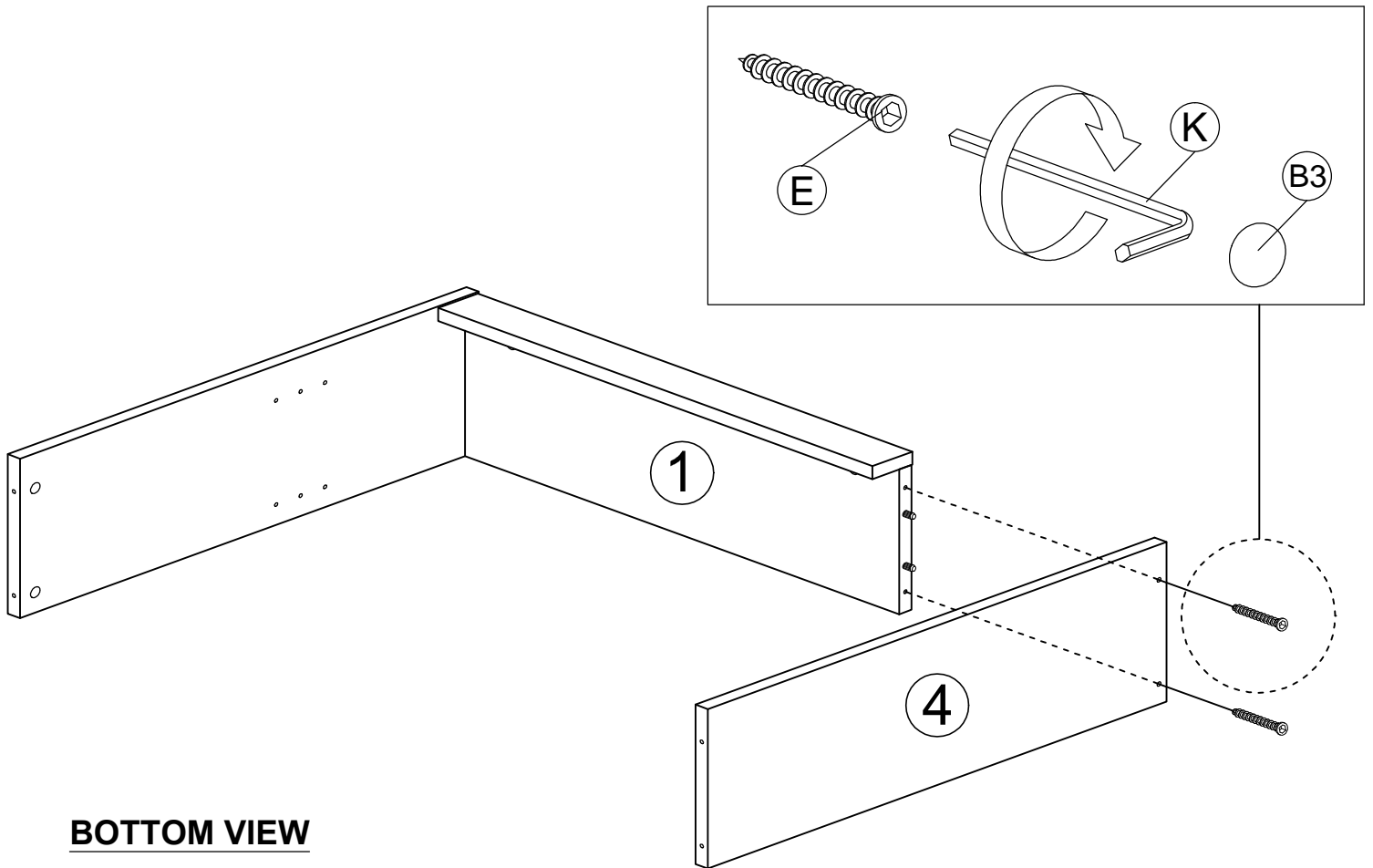


1. At bottom view position, fix panel (3) to panel (1) with 2x Screw (E) using Allen Key (K). After that, insert 2x cap (B3).

# HODEDAH®

## Step 11

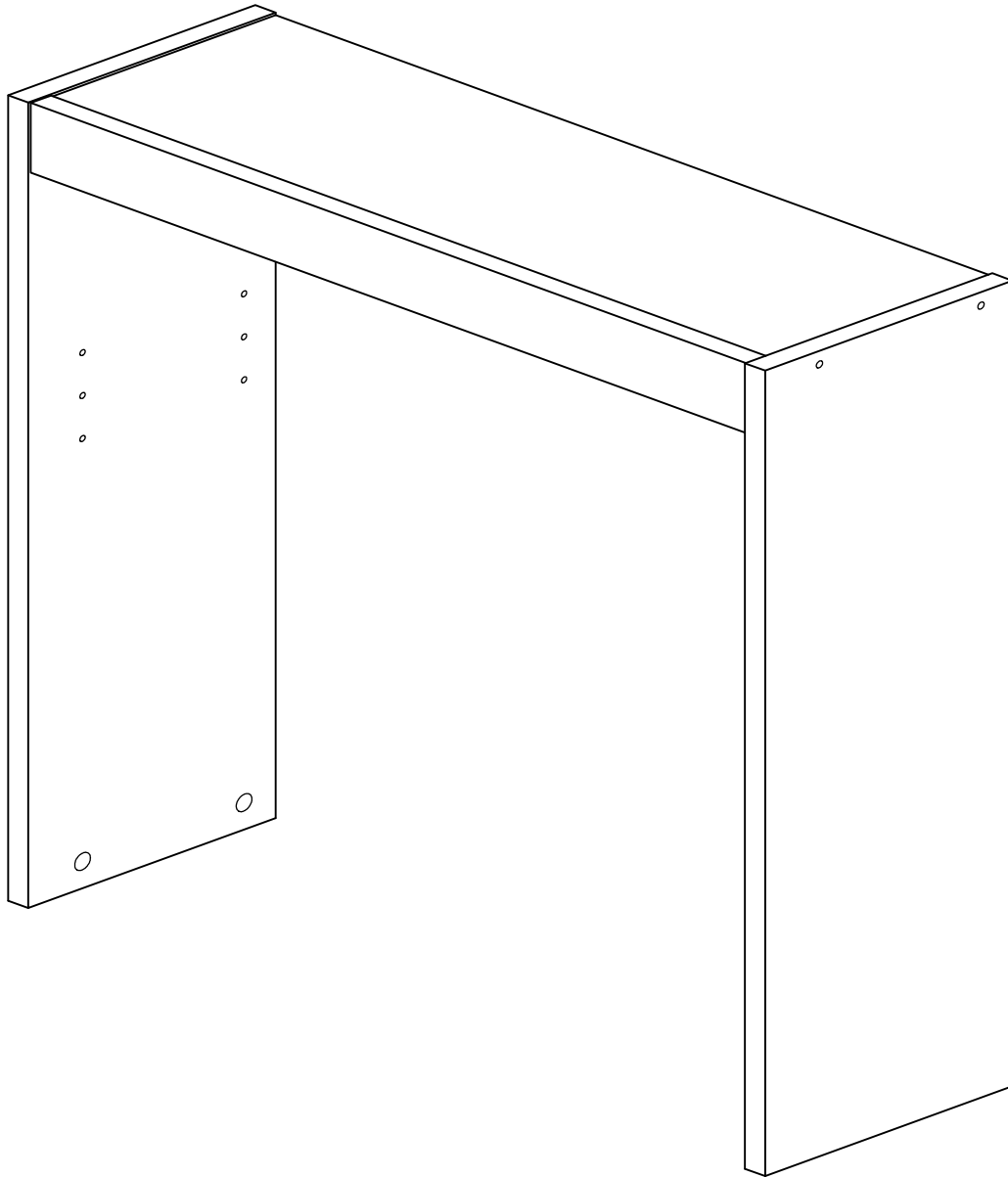
E		CSK CAP WOOD M6X50MM	2
B3		MINIFIX CAP	2
K		ALLEN KEY	1



1. Fix panel **(4)** to panel **(1)** with 2x Screw **(E)** using Allen Key **(K)**.  
After that, insert 2x cap **(B3)**.

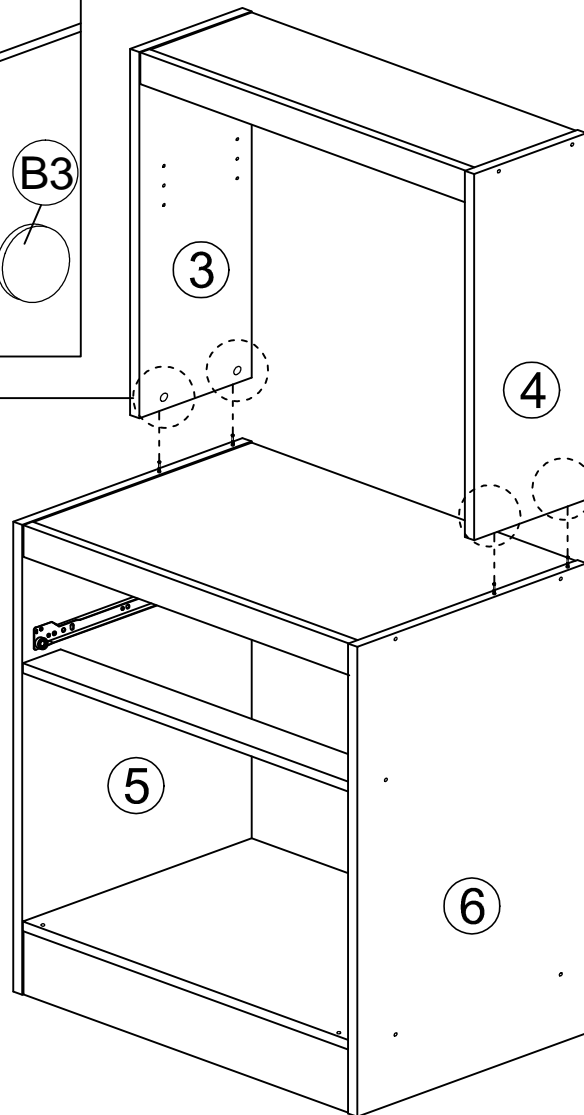
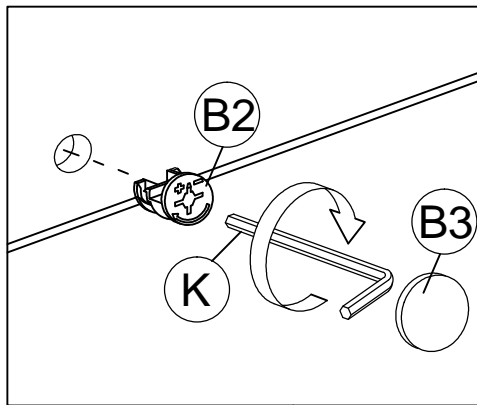
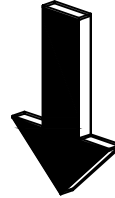
HODEDAH®

# Part 2



## Step 12

B2		MINIFIX NUT	4
B3		MINIFIX CAP	4
K		ALLEN KEY	1



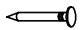
PART 2

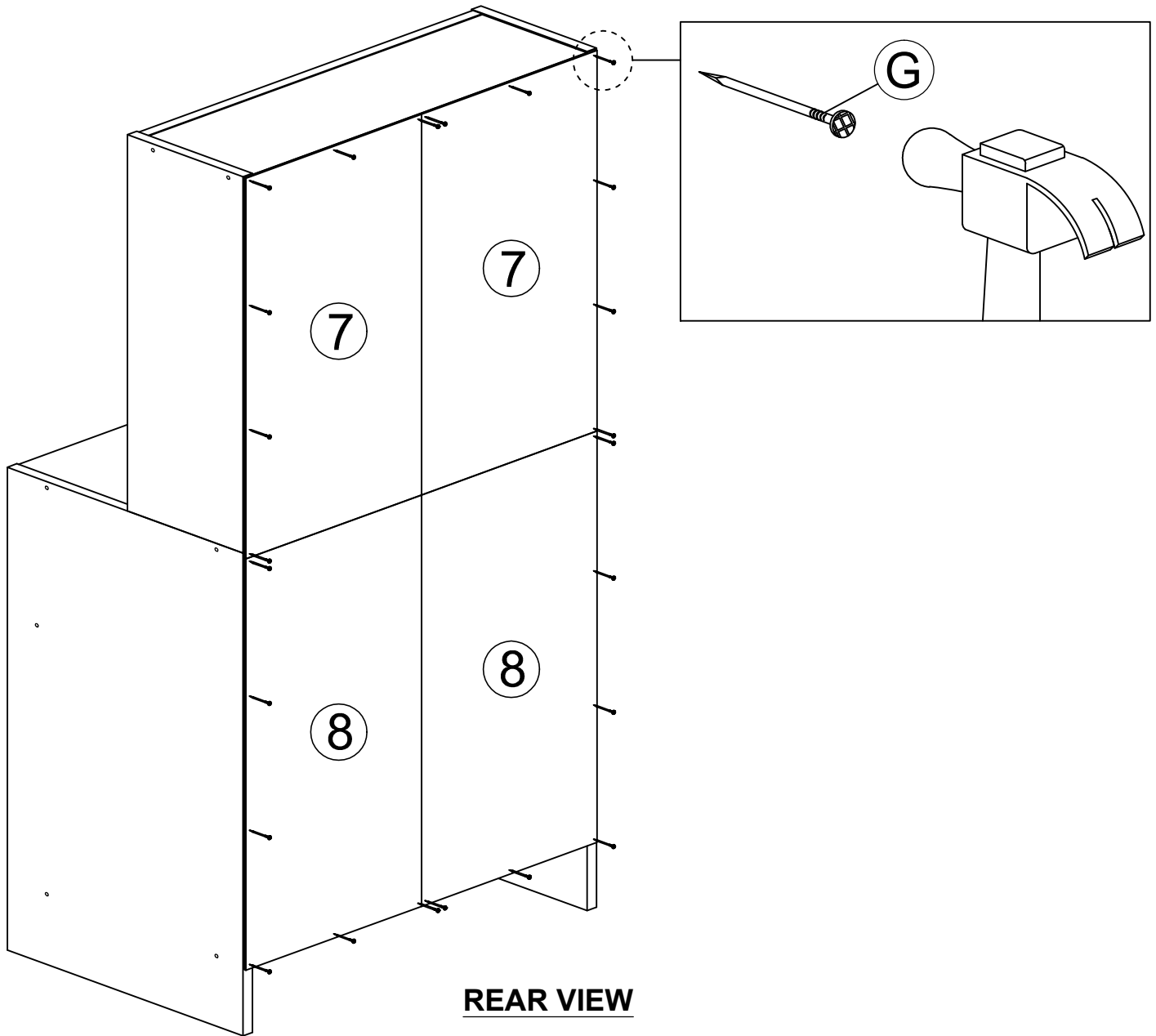
PART 1

1. Fix panel (3 & 4) to panel (5 & 6) by inserting 4x Minifix Nut (B2) into panel (3 & 4) 's thru holes with Allen Key (K) to tighten it. After that insert 4 x cap (B3).

# HODEDAH®

## Step 13


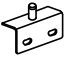
G		NAIL 5/8	24
---	---	----------	----



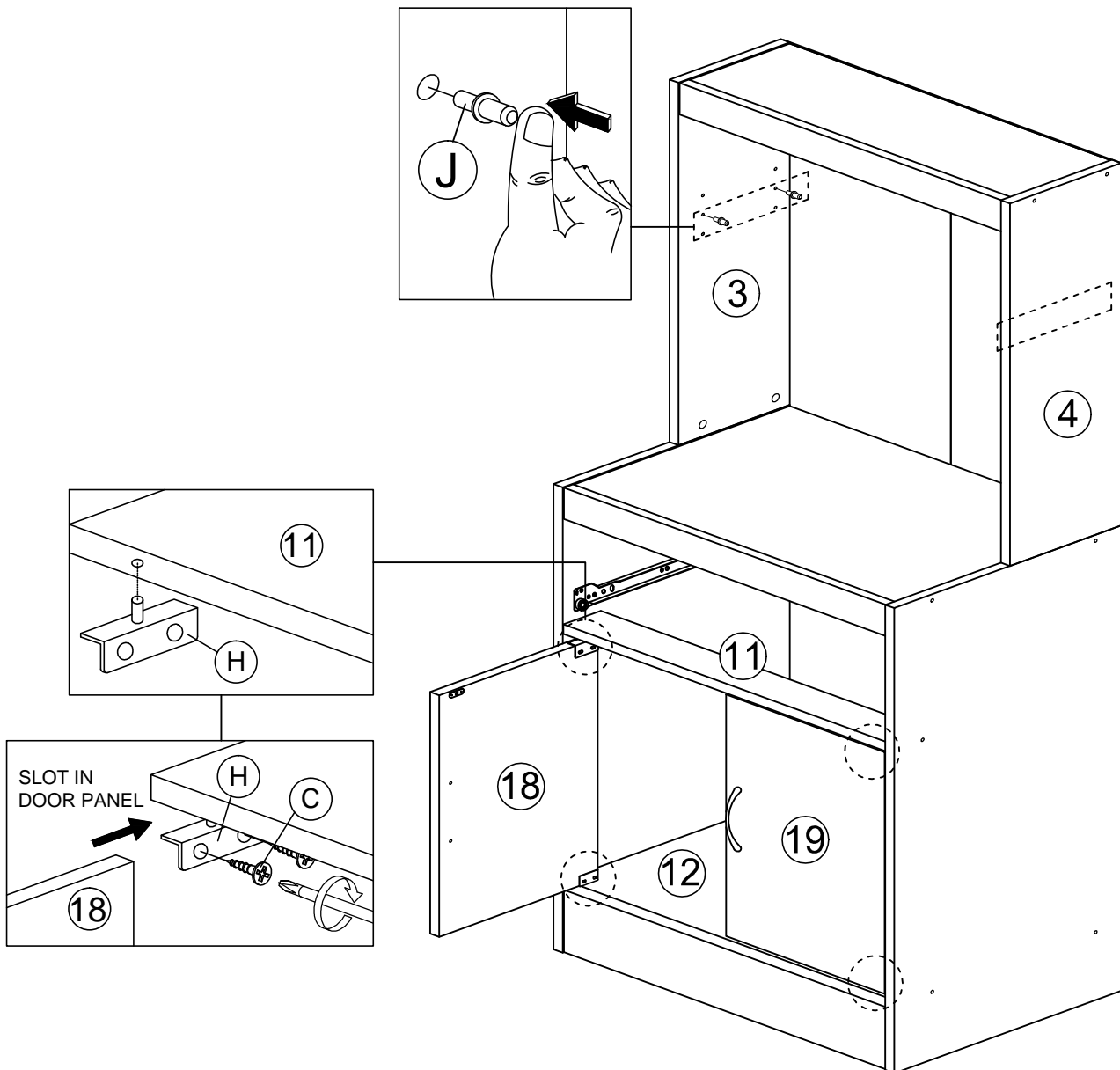
- At rear view position, place 2x back panel **(7)** on top back of the main unit, while 2x back panel **(8)** on bottom back of the main unit and align it properly for nailing. Use hammer to nail the Nails **(G)** one by one **(As Shown)** at center of 4 side edges.

# HODEDAH®

## Step 14

C		CB SCREW M3.5X16MM	8
H		MT STOPPER	4

J		SHELF SUPPORT	4
---	---	---------------	---

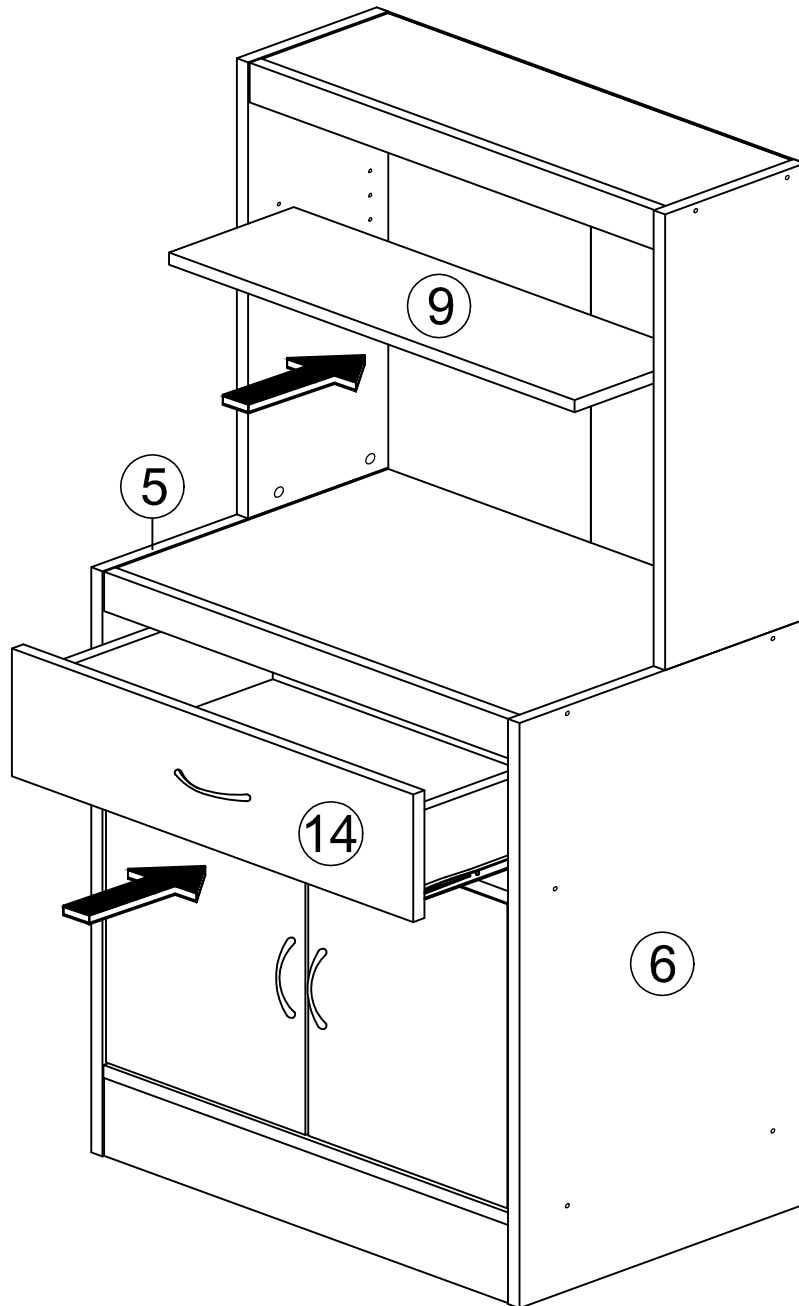


1. Insert 4x Shelf Support (**J**) into the holes on panel (**3 & 4**).
2. Insert 2x MT Stopper (**H**) into the holes at panel (**11**) bottom side.
3. Insert 2x MT Stopper (**H**) into the holes at bottom panel (**12**) top side.
4. Slide in door panel (**18 & 19**) into MT Stopper (**H**) between panel (**11 & 12**).  
After that, use 8x CB Screws M3.5x16mm (**C**) to tighten it.

# HODEDAH®

## Step 15

### Final step...

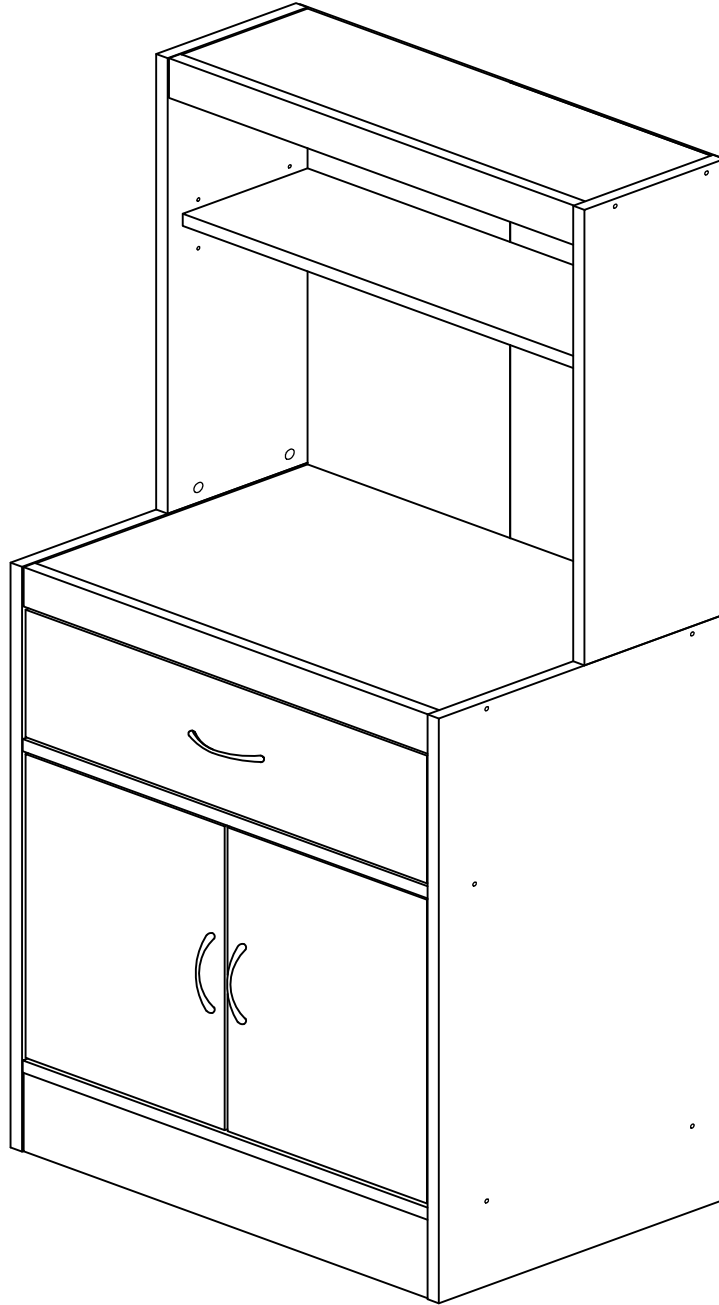


1. Take panel **(9)** and slide in on top side of 4x Shelf Support **(J)** **(As Shown)**.
2. Then slide in the drawer **(14)** by slotting the rollers at each end of drawer slide **(L2)** onto the rail of drawer slide **(L1)** fixed at side panel **(5 & 6)**. Then slide the drawer in slowly.



# HODEDAH®

## Job Complete...



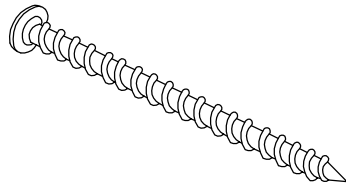
Enjoy & Thank you for purchasing from Hodedah!



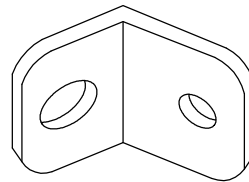
# HODEDAH®

## Installation of Anti-Tip Restraint

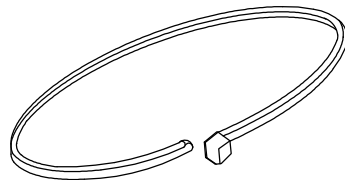
Kit includes:



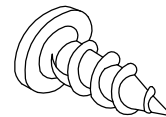
**A (x2)**  
**Long screw**



**B (x4)**  
**Mounting bracket**



**C (x2)**  
**Restraint strap**



**D (x2)**  
**Short screw**



# WARNING



**Serious or fatal crushing injuries can occur from furniture tip-over. To help Prevent tip-over:**

- Install tip-over restraint provided
- Place heaviest items in the lower drawers
- Do not set TV's or other heavy objects on top of this product
- Never allow children to climb or hang on drawers, doors or shelves
- Never open more than one drawer at a time
- Do not defeat or remove the drawer interlock system

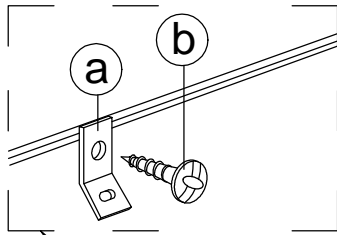
**Use tip-over restraints may only reduce but not eliminate the risk of tip-over.**

**IMPORTANT:** Use of this safety kit is mandatory. This restraint is not a substitute for proper adult supervision. Failure to detach this restraint before moving furniture may result in injury and damage. **If the safety kit is not in the box, please contact our consumer service team at Tel. 1 (718) 456 0505 or Email Support@Hodedah.com in order to obtain one before using the furniture.**

## FITTING OF ANTI-TIP SAFETY STRAP

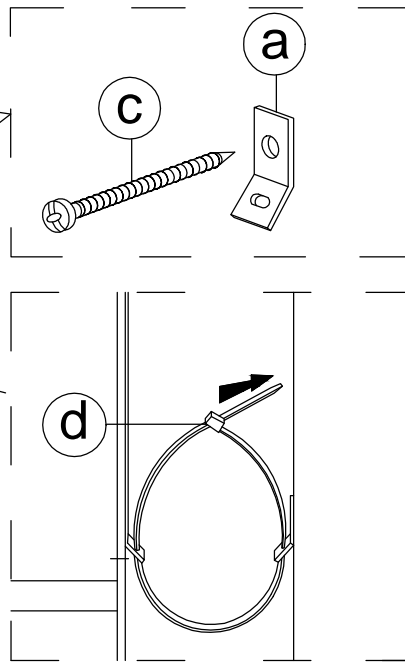
### STEP 1:

- Attach the mounting bracket (a) to the furniture in the solid part below the top panel a few inches away from the side of the unit.
- Screw (b) through the smallest hole of (a).



### STEP 2:

- Locate a stud in behind the have to
- Place the other mounting bracket (a) on the wall stud 2 inches below the mounting bracket secured to the back of your unit.
- Attach to the wall stud using (c) through the smaller hole of (a).



### STEP 3:

- Repeat the same step a few inches away from the other side of the unit.
- Place the furniture into position so both mounting brackets are vertically in line.
- Lace the end of the restraint strap through the larger holes in each mounting bracket.
- Secure the straps and lock into place.

