

# HODEDAH®

## Assembly Instructions

This instruction booklet contains important safety information, please read and keep for future reference.

### ITEM # HIK 73

Kitchen Trolley



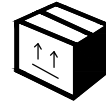
2 people



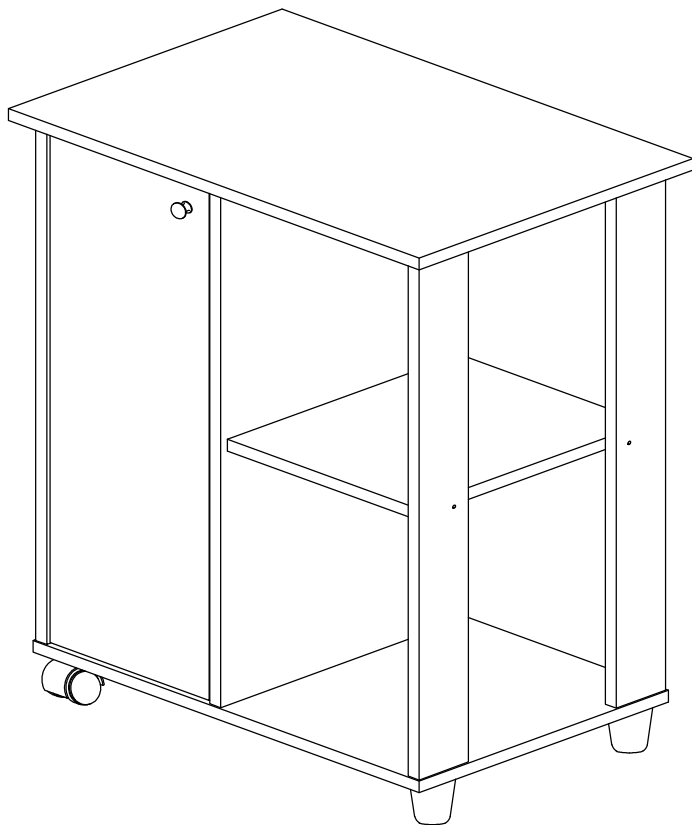
70 mins



1 YR LTD



1 Box



FRONT VIEW



REAR VIEW

**Product Dimensions : Height 31.5" x Width 23.6" x Depth 15.7"**

# HODEDAH®

Questions, need parts, we are here to help!



Phone

Mon - Fri | 9:30am to 5pm EST

1 - 855 - HODEDAH

1 - 855 - 463 - 3324



Email

Send us an email

Support@Hodedah.com



Website

Visit our website to open a case

www.Hodedah.com

FOR PROMPT, RELIABLE SERVICE PLEASE HAVE YOUR INSTRUCTION MANUAL READY



## DO NOT RETURN PRODUCT TO THE STORE

If parts are missing or damaged please contact our customer service team and we will gladly ship your replacement parts FREE of charge within ONE YEAR of purchase!

## WARRANTY

Hodedah warrants this product to be free from defect in materials and workmanship and agrees to remedy and such defect. This warranty covers one year from the date of original purchase. This is solely limited to replacement of defective parts and no assembly for labor is included. This warranty does not apply to any product that has been improperly assembled, subjected to misuse, abuse or which has been altered or repaired in any way. To obtain warranty service, original purchaser must present the following; original bill of sale, date of purchase, where the product was purchased and images if applicable. Components replaced warranted through the remainder of the original warranty only. The defective part will be replaced without charge, subject to the terms and conditions described above.

## WARNING

- This product contains small parts, keep away from children.
- This product contains plastic bags, keep away from children.
- Serious or fatal crushing injuries can occur from furniture tip-over. To help prevent this, place heaviest items on the lower shelves and drawers. Do not set heavy object on top shelves and drawers.
- Never allow children to climb or hang on drawers, shelves and doors.
- Never open more than one drawer at a time.
- The use of tip-over restraints may reduce but not eliminate the risk of tip-over.

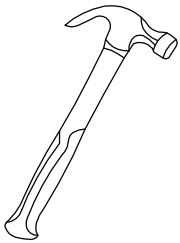
# HODEDAH®

## Let's get started...

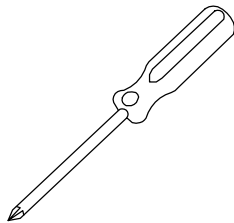
### Helpful hints, read before beginning assembly

- Make sure you receive all boxes. if your item is packed in one box, box count will read 1 of 1, likewise if your item is packed in two boxes, box count will read 1 of 2 and second box will read 2 of 2.
- Read each step carefully. It is very important that each step is performed in the correct order. If these steps are not followed in sequence, assembly difficulties will occur.
- Work in a spacious level area, preferably carpet, near the place the unit will be used.
- **DO NO USE** power tools to assemble your furniture, it will strip and damage parts.
- Your package should include the following hardware and parts. Parts are labeled or stamped on the raw edge. Please inspect contents to ensure you have received all components. **If you are missing any hardware or parts please contact customer service right away before assembly.**

## Assembly Tools Required (not supplied)



Hammer



Philips Screwdriver



Tape Measure




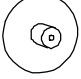
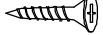
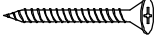
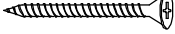
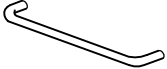


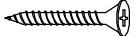
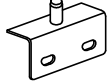

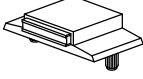
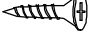

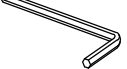




No Power Tools Needed

## Product Care and Maintenance

- Wipe clean with dry soft cloth, never use chemicals or cleaning products they will damage the finish.
- Avoid placing your furniture in direct sunlight, as sunlight causes fading.
- Never push, drag or pull your furniture, to move to a new location carefully with two or more people carry the unit to its new location.
- Avoid extreme changes in temperature by arranging furniture away from radiators, heat and air vents and air conditioning units.

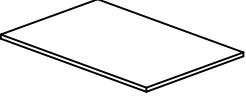
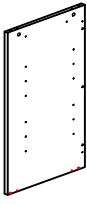



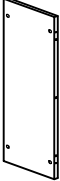
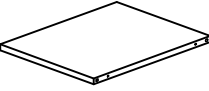
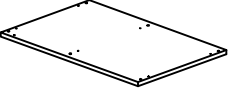
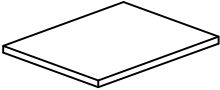

## Hardware List

<b>A</b>  <b>M8X25MM</b>	<b>QTY</b> 22 Pcs	<b>B1</b>  <b>Minifix Bolt</b>	<b>QTY</b> 10 Pcs	<b>B2</b>  <b>Minifix Nut</b>	<b>QTY</b> 10 Pcs
<b>B3</b>  <b>Minifix Cap</b>	<b>QTY</b> 10 Pcs	<b>C</b>  <b>M3.5X16MM</b>	<b>QTY</b> 12 Pcs	<b>D</b>  <b>M4X32MM</b>	<b>QTY</b> 2 Pcs
<b>E</b>  <b>M4X45MM</b>	<b>QTY</b> 10 Pcs	<b>F1</b>  <b>Handle U77192</b>	<b>QTY</b> 1 Pcs	<b>F2</b>  <b>M4X19MM</b>	<b>QTY</b> 2 Pcs
<b>G1</b>  <b>Handle 9200 (PVC)</b>	<b>QTY</b> 1 Pcs	<b>G2</b>  <b>M4X25MM</b>	<b>QTY</b> 1 Pcs	<b>H</b>  <b>MT Stopper</b>	<b>QTY</b> 2 Pcs
<b>I1</b>  <b>Magnet Plate</b>	<b>QTY</b> 1 Pcs	<b>I2</b>  <b>3.5kg Magnet</b>	<b>QTY</b> 1 Pcs	<b>I3</b>  <b>M3.5X12MM</b>	<b>QTY</b> 1 Pcs
<b>J</b>  <b>Shelf Support</b>	<b>QTY</b> 8 Pcs	<b>K</b>  <b>Allen Key</b>	<b>QTY</b> 1 Pcs	<b>L</b>  <b>PVC Leg 55MM</b>	<b>QTY</b> 2 Pcs
<b>M</b>  <b>Caster (w/out Stopper)</b>	<b>QTY</b> 2 Pcs				

### Important

1. Before you throw the package, please use the Check Box to identify the parts and hardware to ensure that you have everything you need.
2. Check and measure the bolts before applying them to parts.
3. Do not completely tighten all hardware until the entire assembly is complete, unless indicated otherwise.

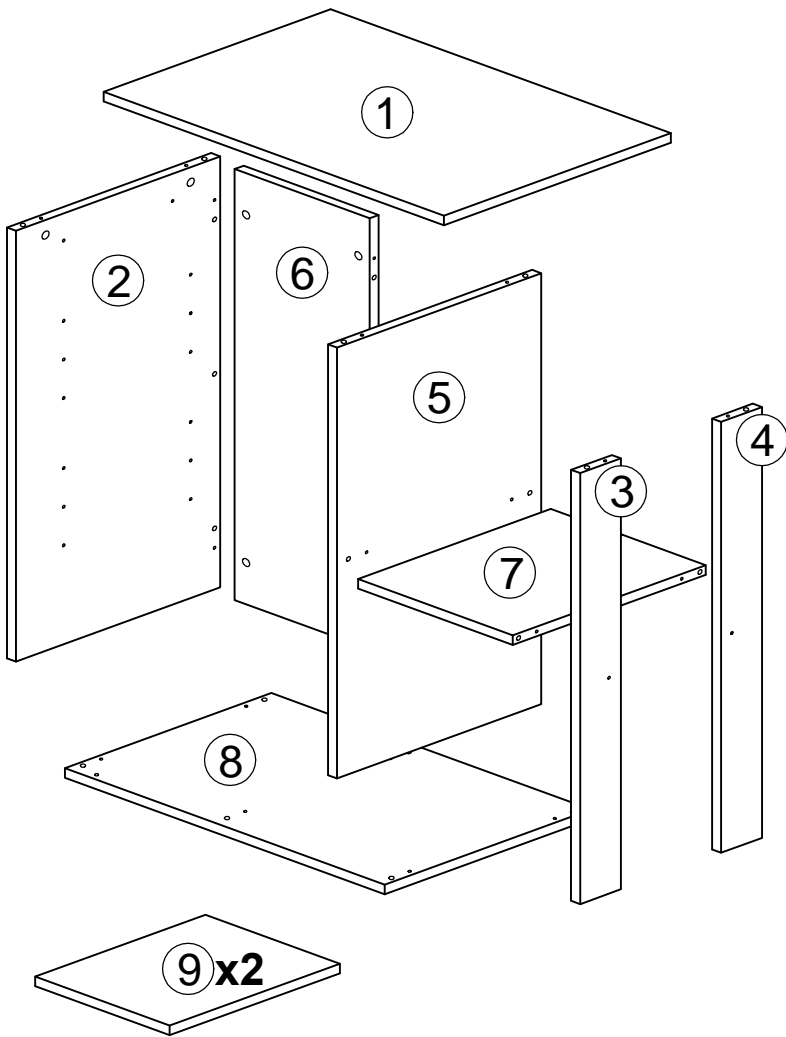
## Parts List

<p>1</p>  <p>600x400x15mm</p>	<p>QTY</p> <p>1 Pcs</p>	<p>2</p>  <p>714x360x15mm</p>	<p>QTY</p> <p>1 Pc</p>	<p>3</p>  <p>714x72x15mm</p>	<p>QTY</p> <p>1 Pcs</p>
<p>4</p>  <p>714x72x15mm</p>	<p>1 Pcs</p>	<p>5</p>  <p>714x360x15mm</p>	<p>1 Pcs</p>	<p>6</p>  <p>714x238x15mm</p>	<p>1 Pcs</p>
<p>7</p>  <p>340x273x15mm</p>	<p>1 Pcs</p>	<p>8</p>  <p>564x364x15mm</p>	<p>1 Pcs</p>	<p>9</p>  <p>237x300x15mm</p>	<p>2 Pcs</p>
<p>10</p>  <p>707x232x15mm</p>	<p>1 Pcs</p>				

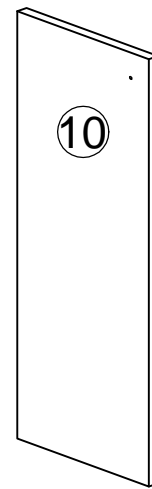
# HODEDAH®

## The Breakdown...

### I) Main Unit :

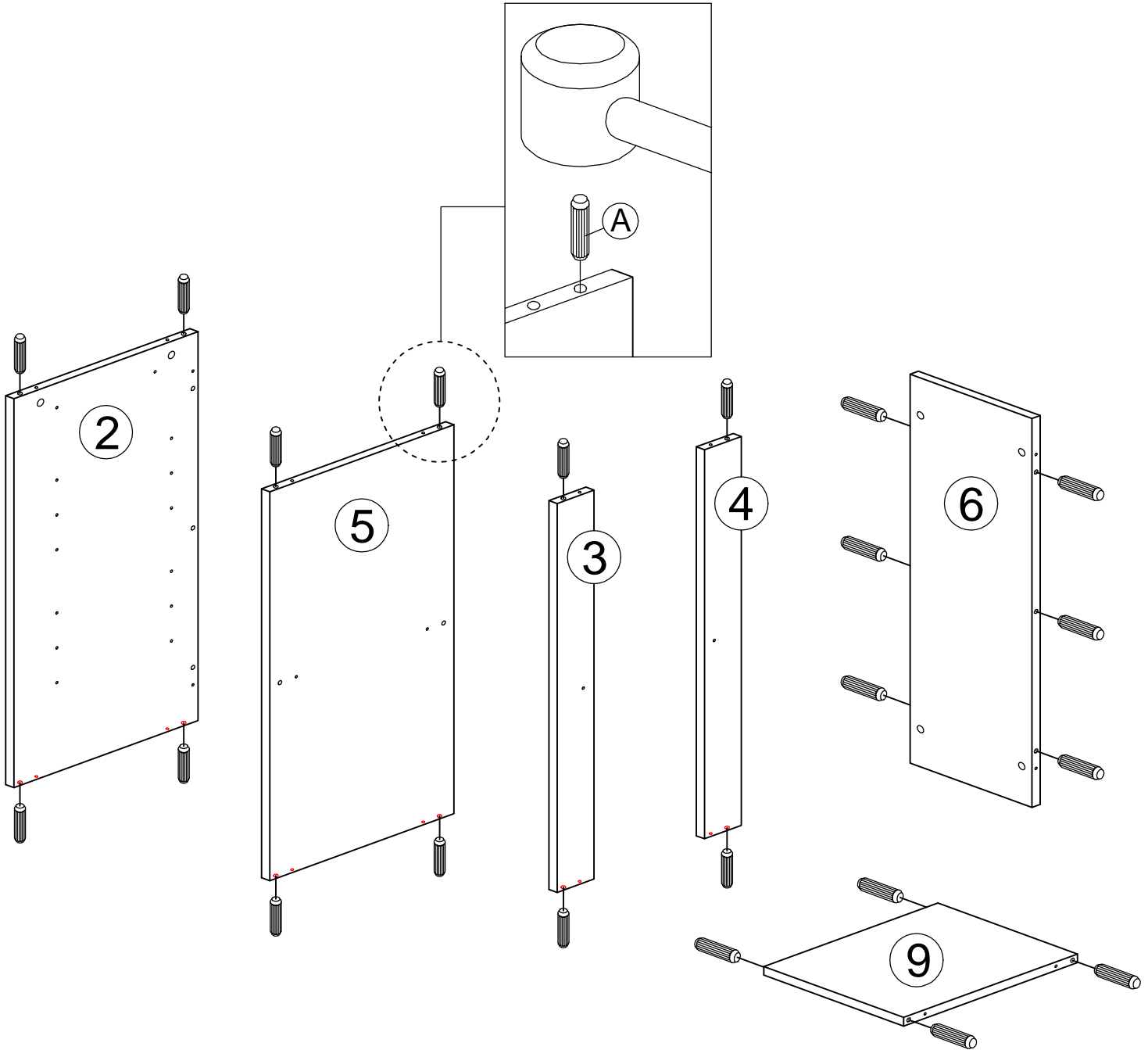


### II) Door & Drawer :



## Step 1


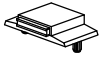
A		WOOD DOWEL M8x25MM	22
---	---	--------------------	----

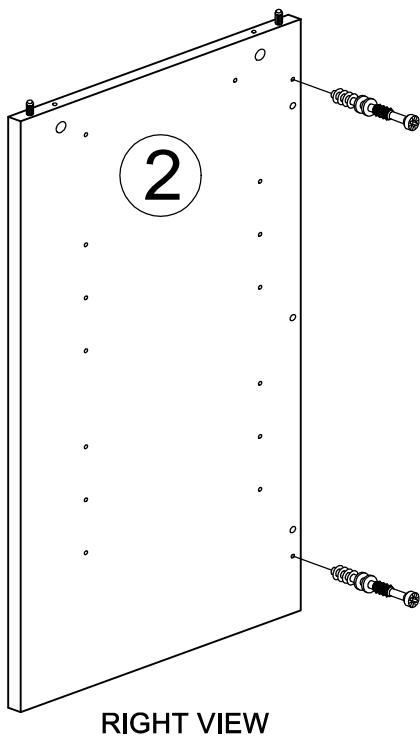
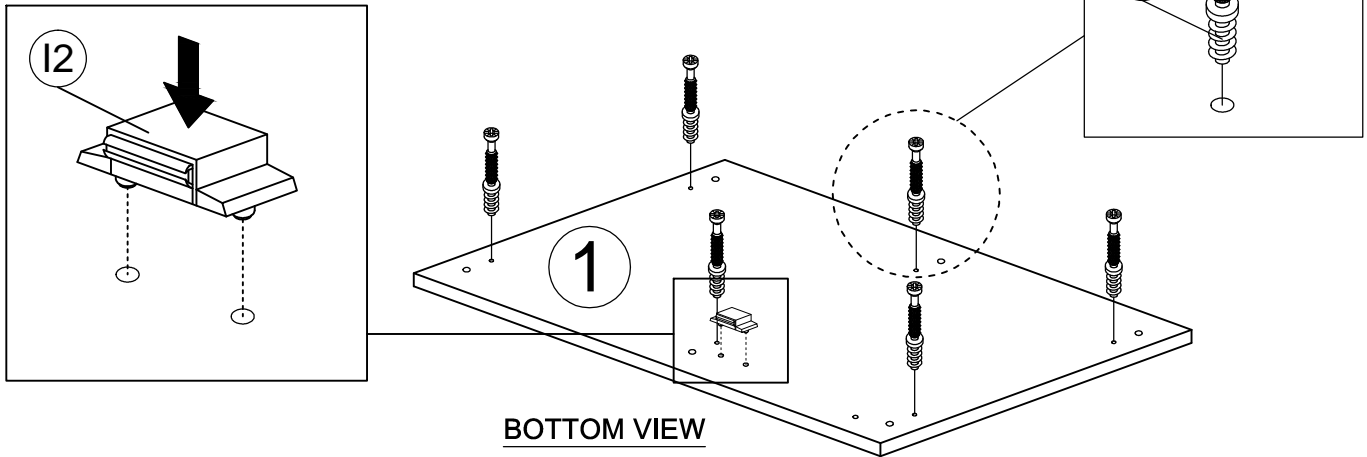


1. Insert 22 x wood dowels (A) into panel (2,3,4,5,6 & 9).

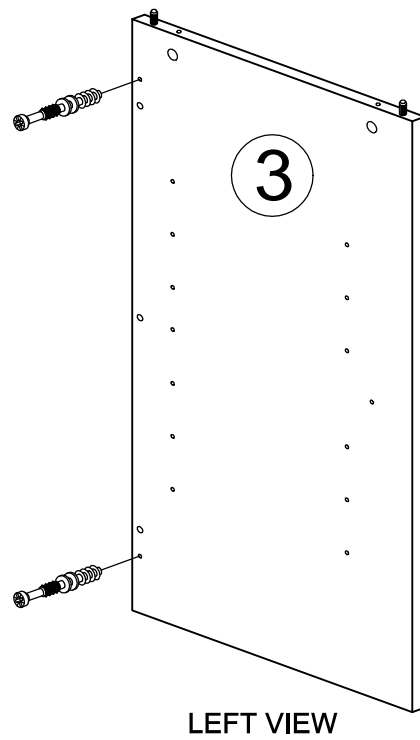
# HODEDAH®

## Step 2

B1		MINIFIX BOLT	10
I2		3.5KG MAGNET	1



RIGHT VIEW


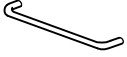


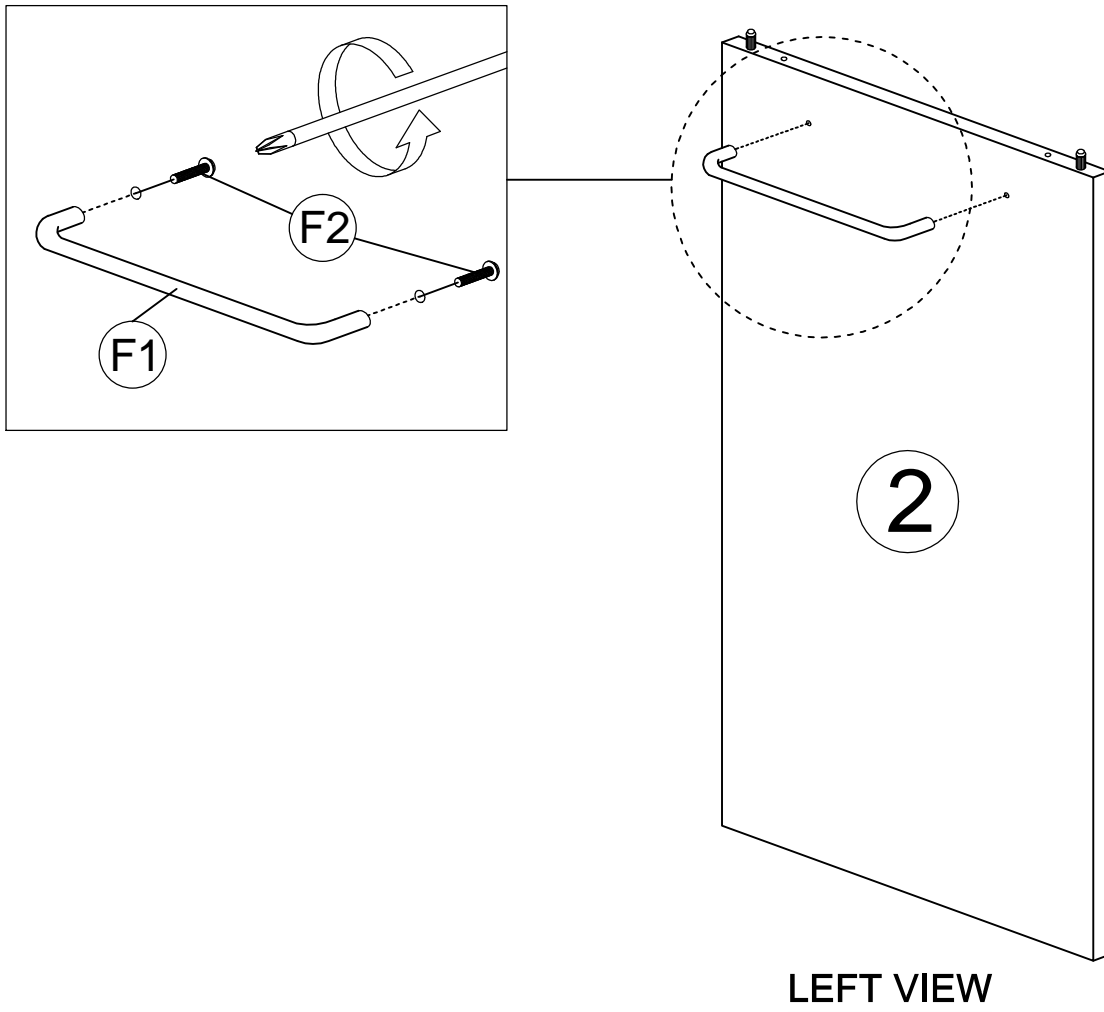
LEFT VIEW

1. Tighten 6x minifix bolt (**B1**) onto bottom view of top panel (**1**) and 2x minifix bolt (**B1**) onto each of side panel (**2 & 3**) using screwdriver.
2. Then, fix magnet (**I2**) onto bottom view of top panel (**1**) (**As Shown**).





## Step 3

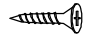

F2		HANDLE SCREW M4X19MM	2
F1		HANDLE U77192	1

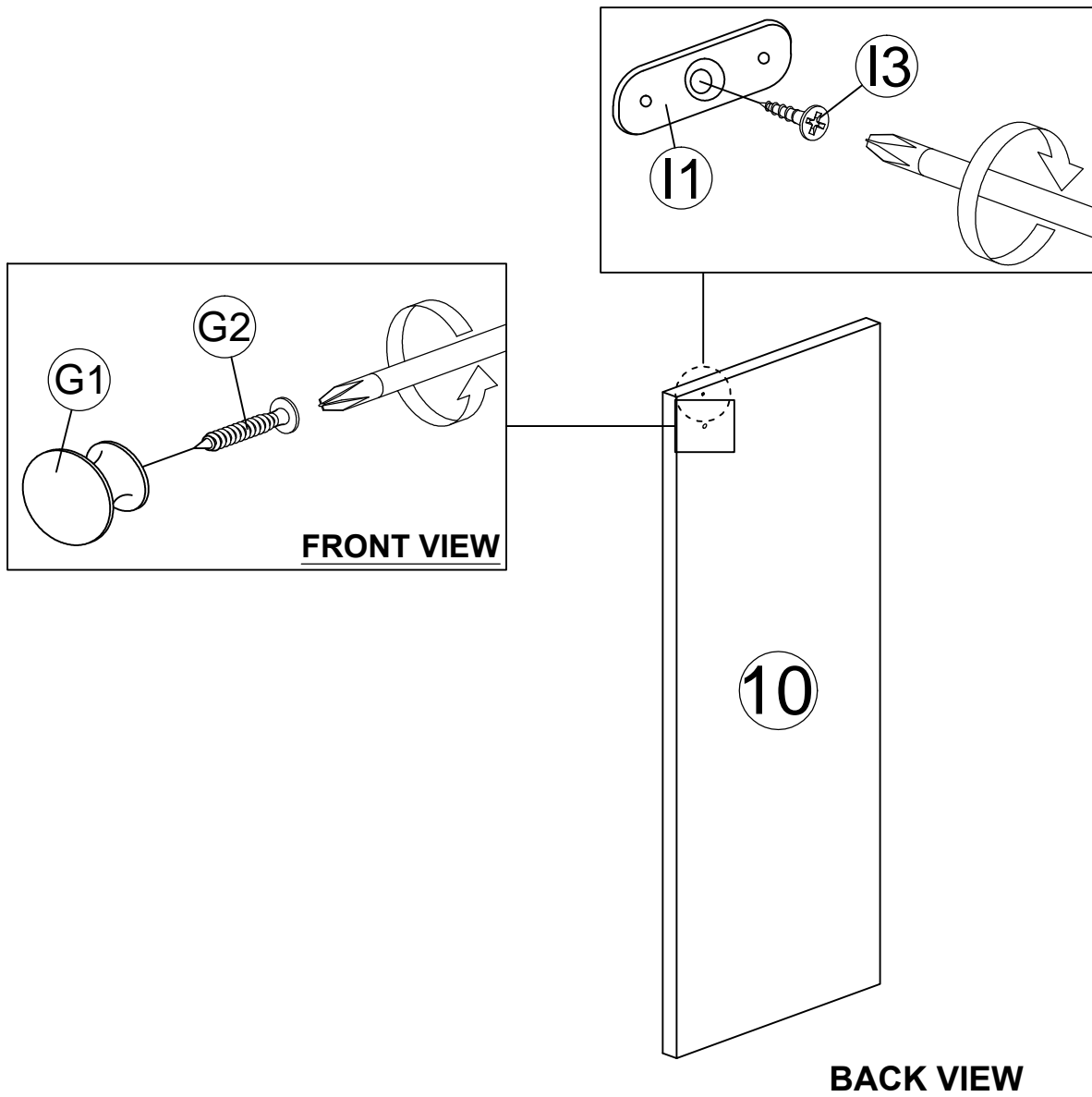


1. Tighten handle (F1) onto side panel (2) using 2x Handle Screw M4x19mm (F2) with screwdriver.

## Step 4


G2		CB SCREW M4X25MM	1
G1		HANDLE 9200 (PVC)	1

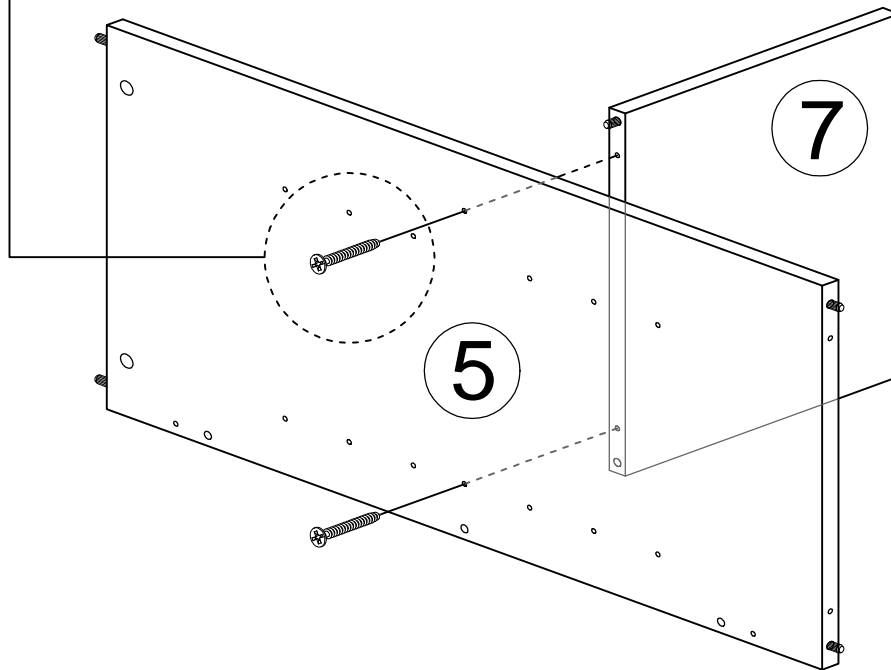
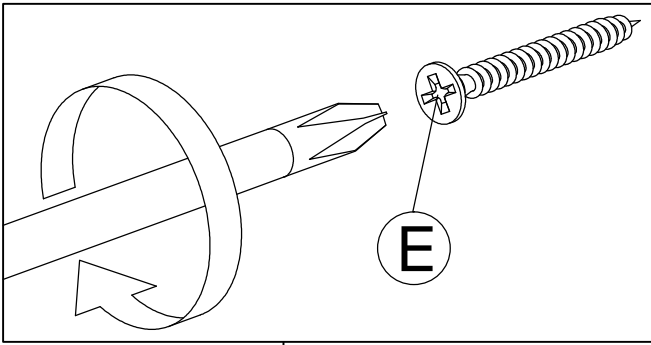
I3		CB SCREW M3.5X12MM	1
I1		MAGNET PLATE (1 HOLE)	1



1. Tighten handle (**G1**) onto door panel (**2**) with CB Screw M4x25mm (**G2**) using screwdriver.
2. Fix metal plate (**I1**) onto door panel (**2**) with CB Screw M3.5x12mm (**I3**) using screwdriver.

## Step 5


E	 CB SCREW M4X45MM	2
---	--	---

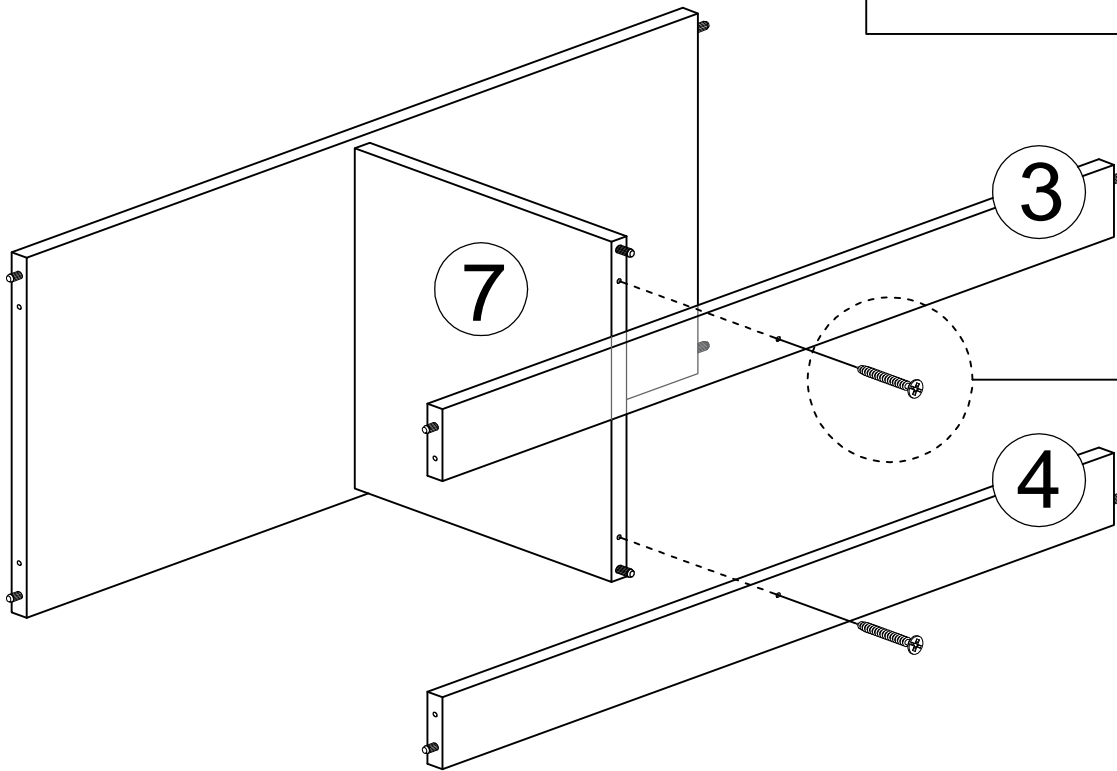
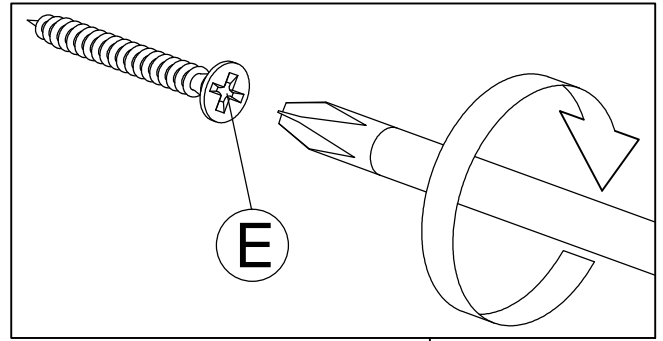


**BOTTOM VIEW**

1. At bottom view position, fix center panel (5) to middle panel (7) with 2x CB Screws M4x45mm (E) using screwdriver.

## Step 6

E	 CB SCREW M4.5X45MM	2
---	--	---



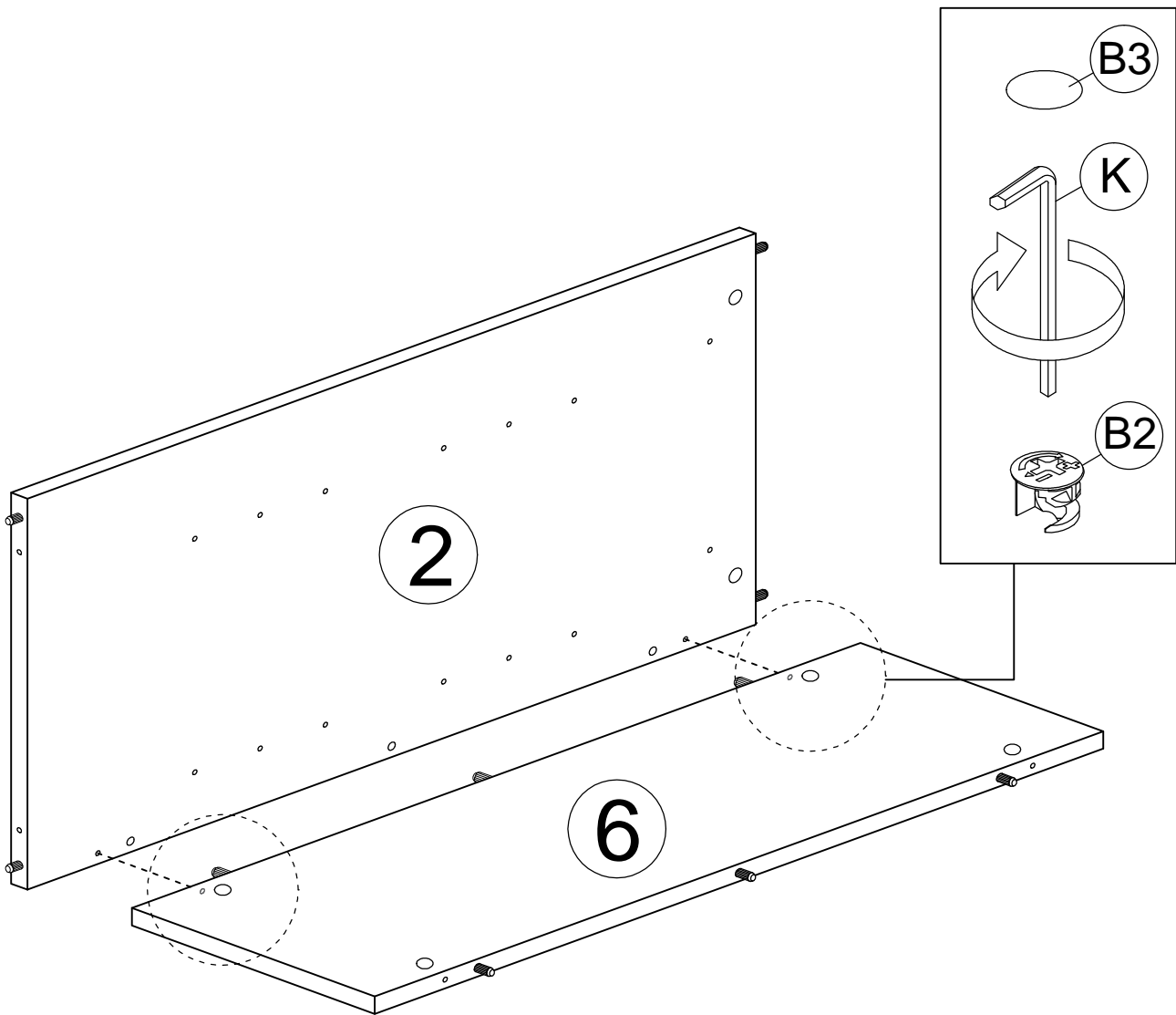
### BOTTOM VIEW

1. Fix panel **(3 & 4)** to middle panel **(7)** with 2x CB Screws M4.5x45mm **(E)** using screwdriver.

# HODEDAH®

## Step 7

B2		MINIFIX NUT	2
B3		MINIFIX CAP	2
K		ALLEN KEY	1



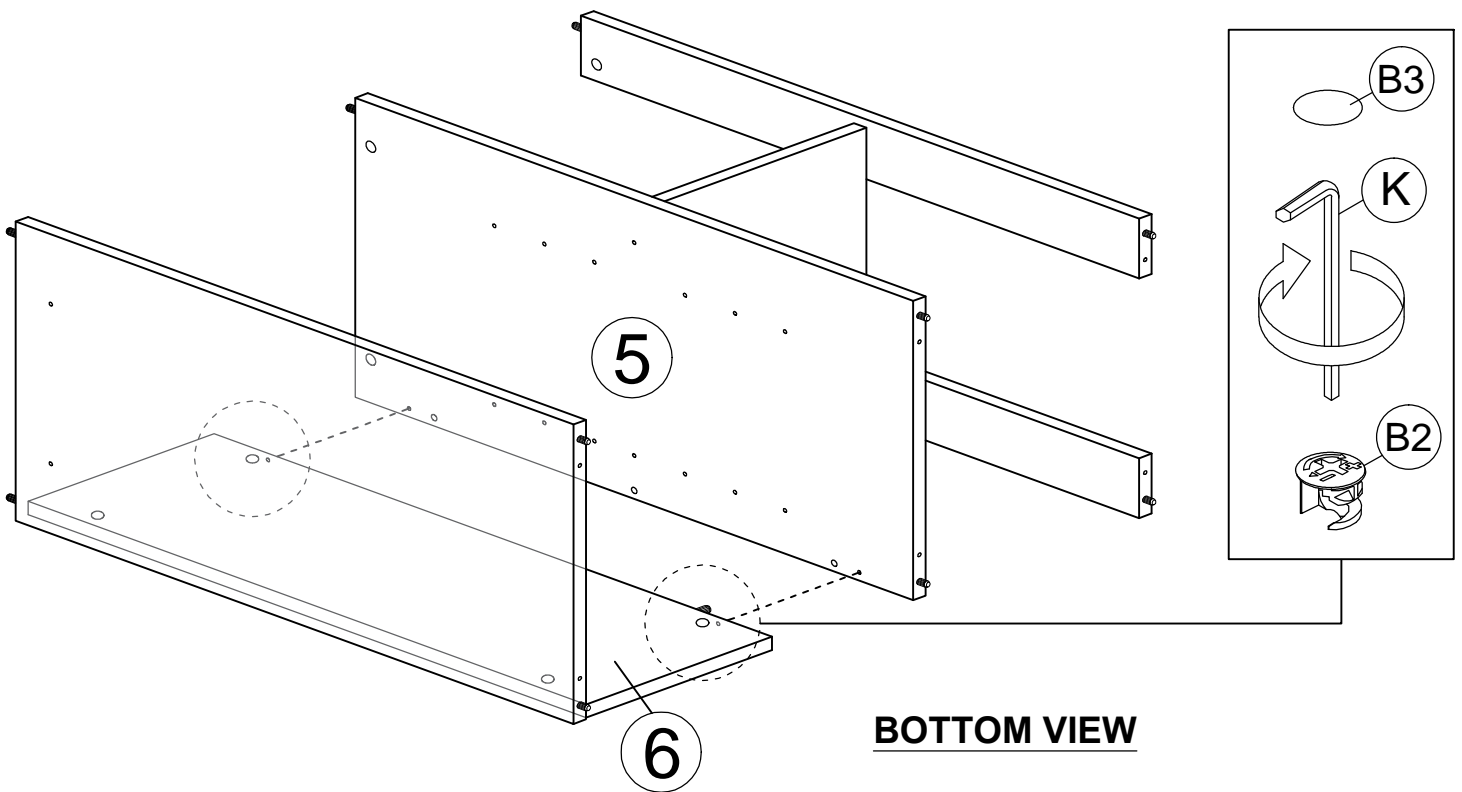
### BOTTOM VIEW

1. Tighten 2x minifix nut (**B2**) on back panel (**6**) 2x through hole (**As Shown**) using Allen Key (**K**) to fix side panel (**2**) and back panel (**6**) together. After that, insert 2x minifix cap (**B3**).

# HODEDAH®

## Step 8

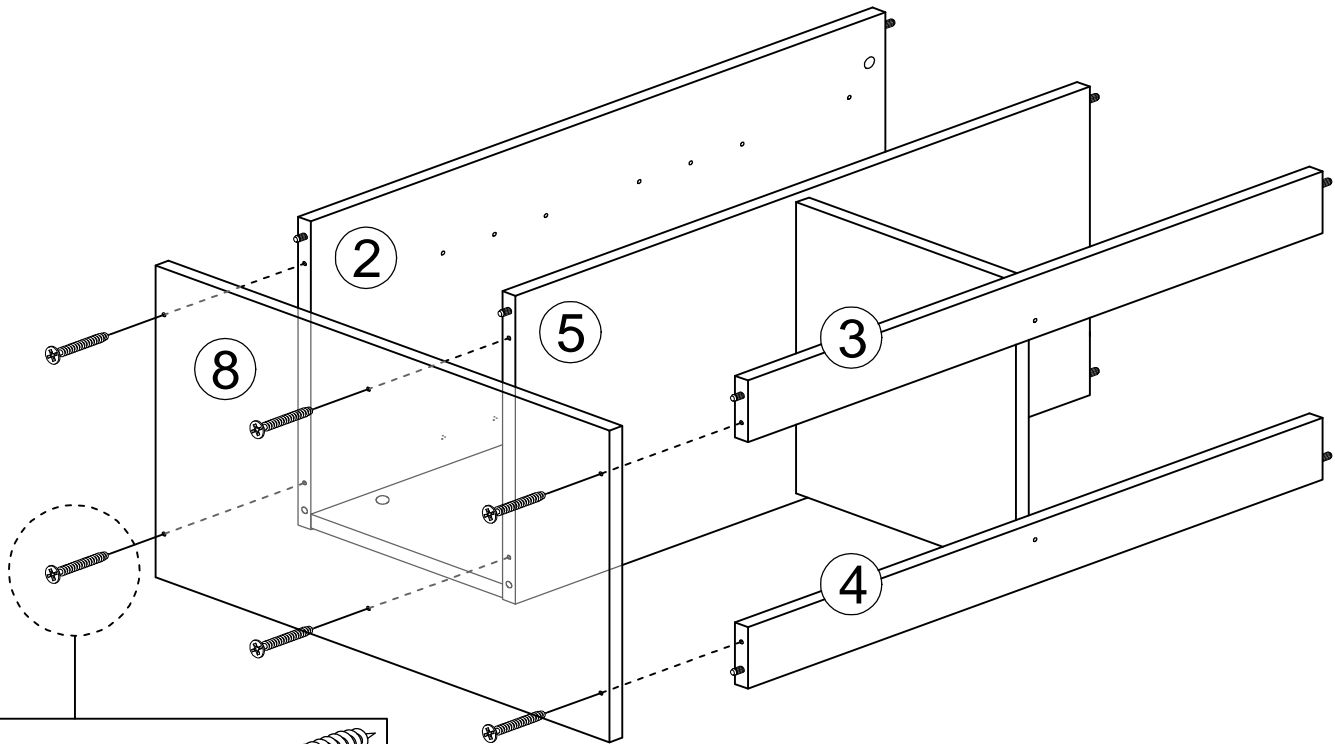
B2		MINIFIX NUT	2
B3		MINIFIX CAP	2
K		ALLEN KEY	1



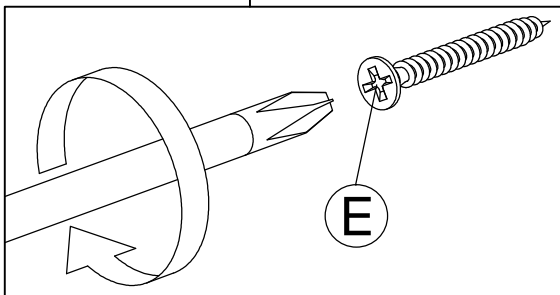
1. Tighten 2x minifix nut (**B2**) on back panel (**6**) 2x through hole (**As Shown**) using Allen Key (**K**) to fix side panel (**5**) and back panel (**6**) together. After that, insert 2x minifix cap (**B3**).

## Step 9

E	 CB SCREW M4X45MM	6
---	--	---





**BOTTOM VIEW**





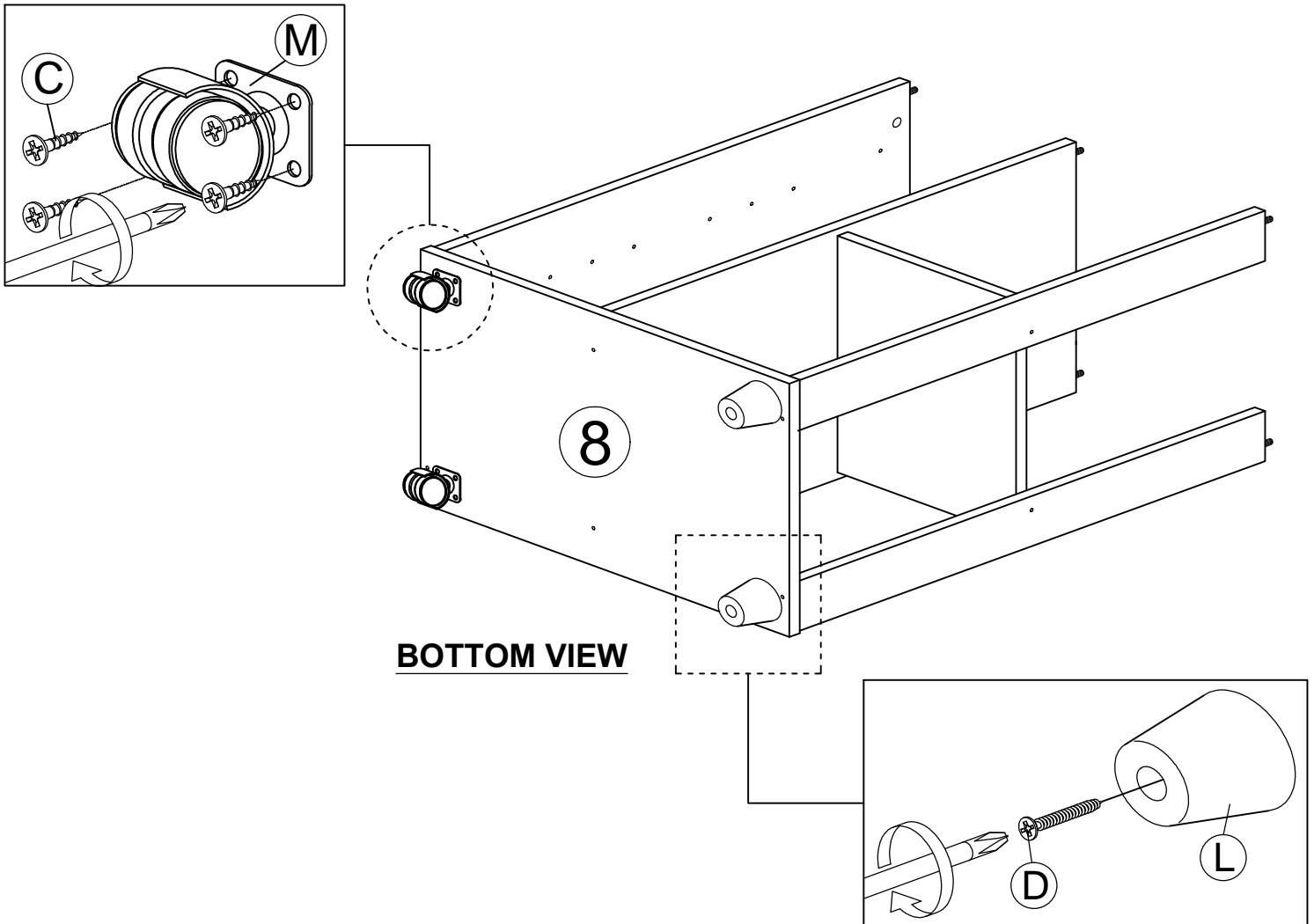
1. Fix bottom panel (8) to panel (2,3,4 & 5) with 6x CB Screw M4x45mm (E) using screwdriver.

# HODEDAH®

## Step 10

<b>C</b>		CB SCREW M3.5X16MM	<b>8</b>
<b>M</b>		CASTER (W/OUT STOPPER)	<b>2</b>

<b>D</b>		CB SCREW M4X32MM	<b>2</b>
<b>L</b>		PVC LEG 55MM	<b>2</b>



**BOTTOM VIEW**

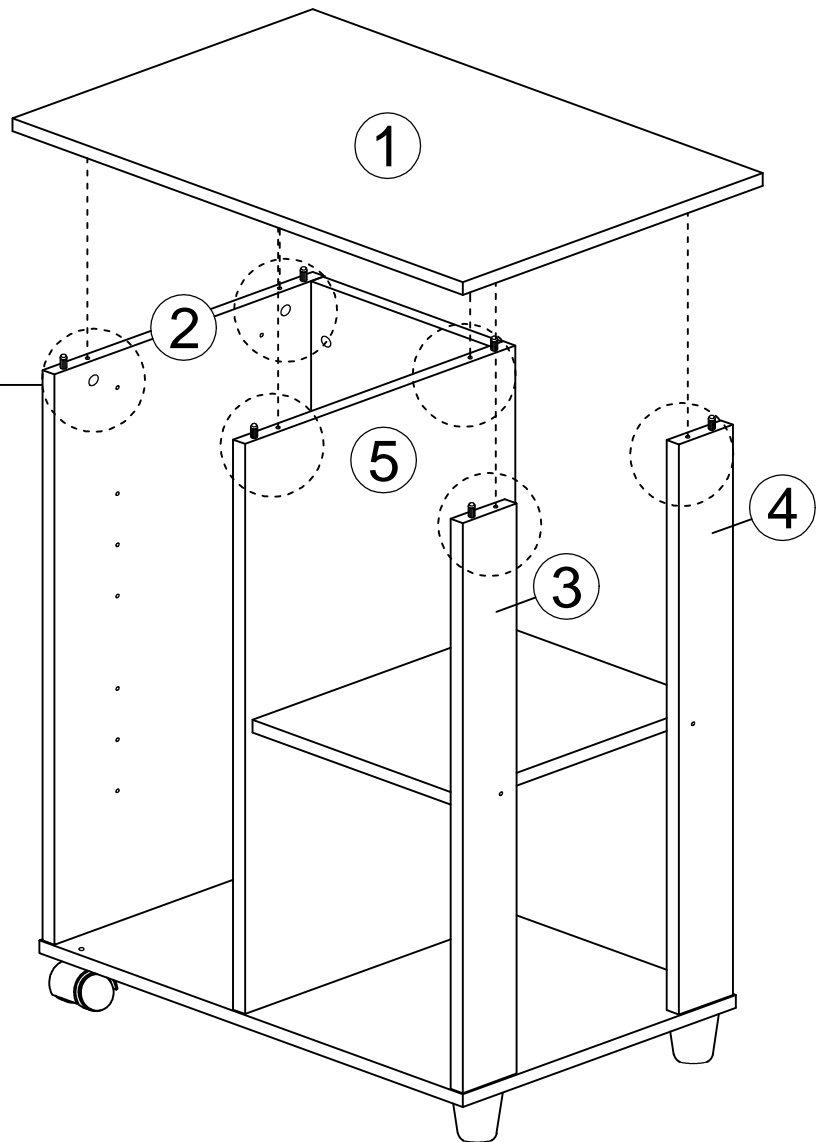
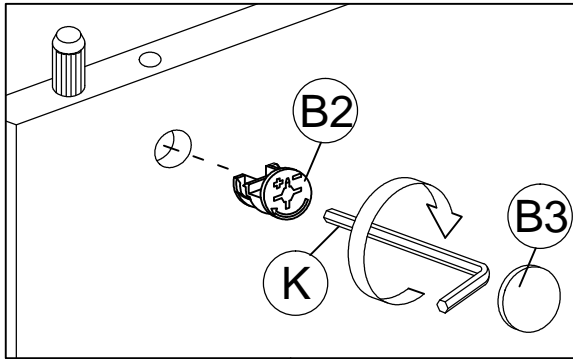
1. At bottom view position, fix 2x Caster (**M**) to left side of bottom panel (**8**) with 8x CB Screws M3.5x16mm (**C**) using screwdriver.
2. Fix 2x PVC Leg (**L**) to right side of bottom panel (**8**) with 2x CB Screw M4x32mm (**D**) using screwdriver.



# HODEDAH®

## Step 11

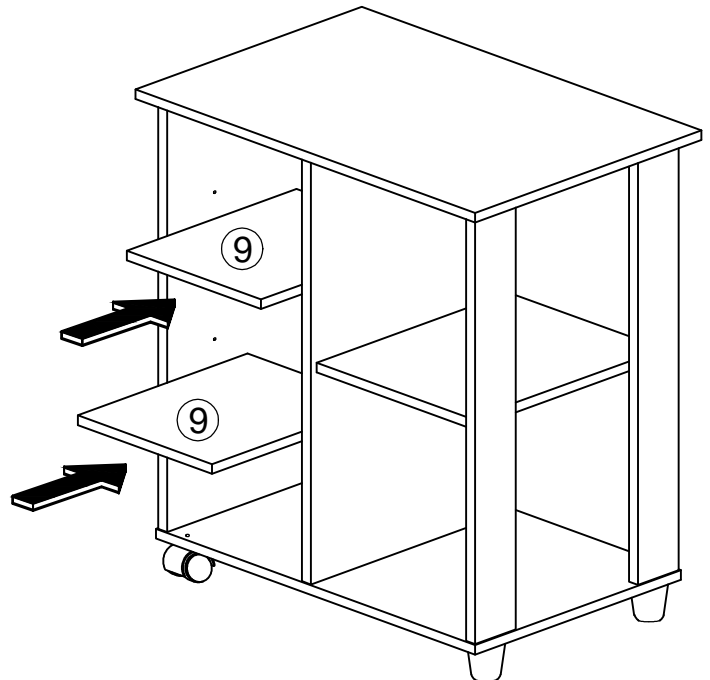
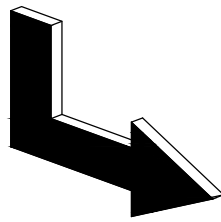
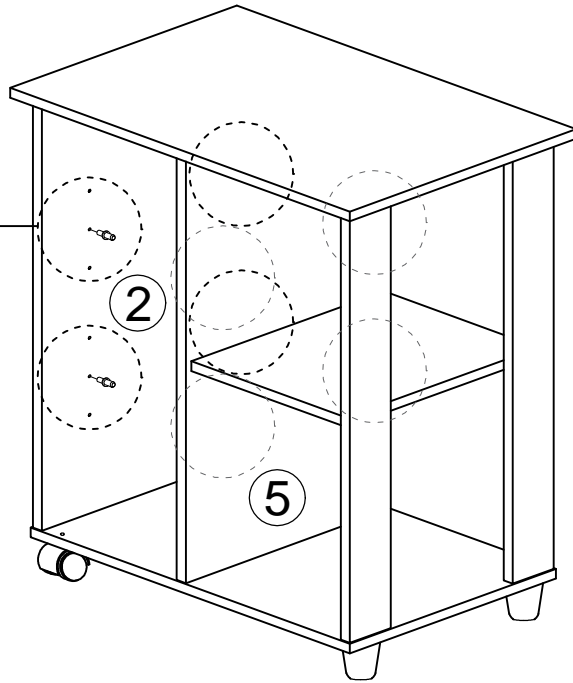
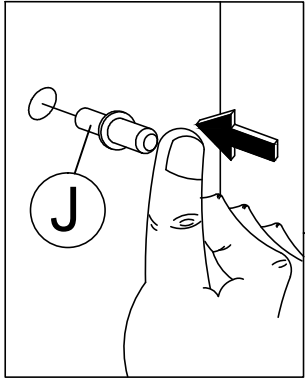
B2		MINIFIX NUT	2
B3		MINIFIX CAP	2
K		ALLEN KEY	1



1. Place top panel (1) onto panel (2,3,4 & 5) and tighten it using 6 x Minifix Nut (B2), onto thru-holes as shown at panel (2,3,4 & 5) with Allen Key (K). After that, insert 6 x cap (B3).

## Step 12

J		SHELF SUPPORT	8
---	---	---------------	---

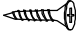



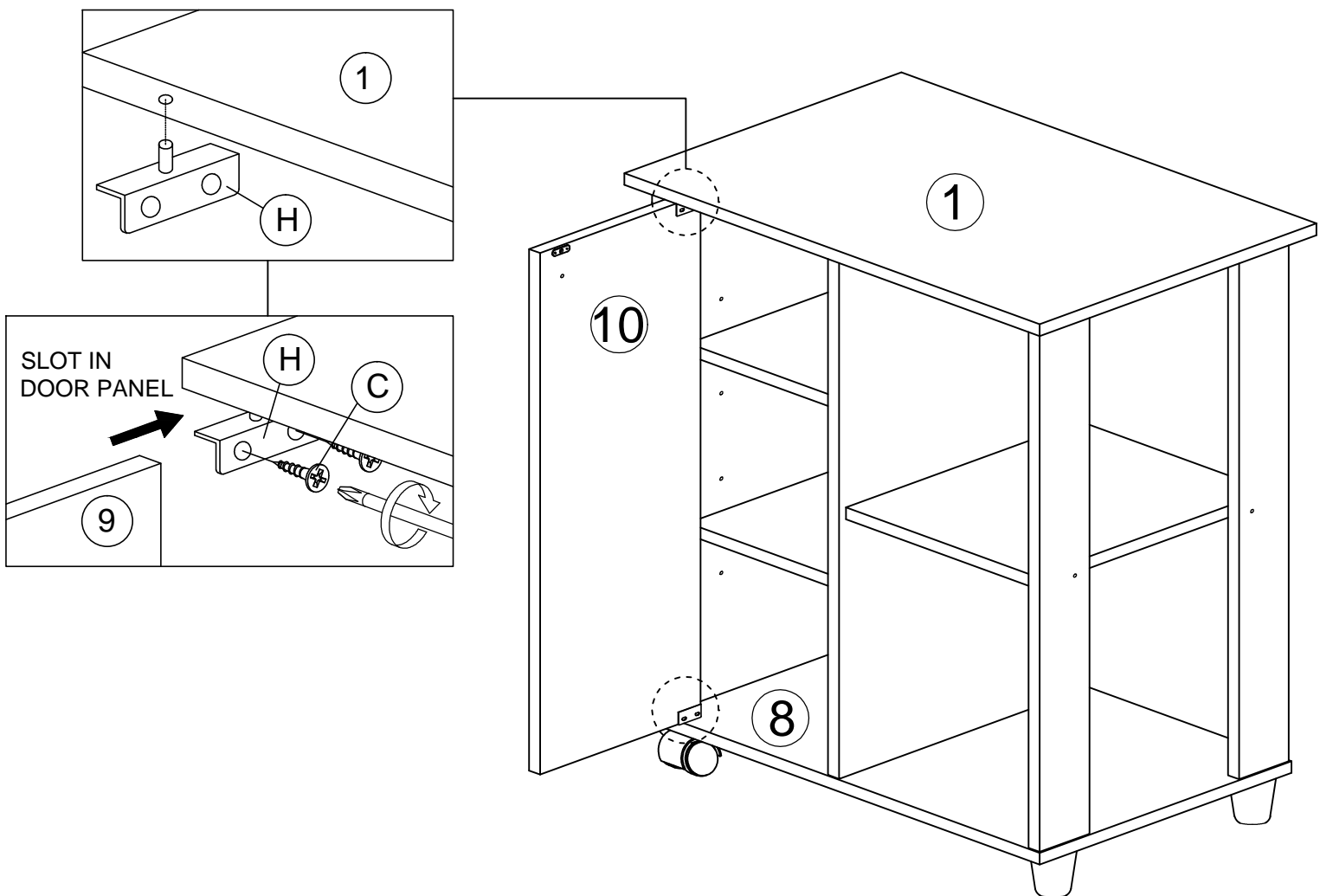
1. Insert 8x Shelf Support (**J**) onto panel (**2 & 5**).
2. Take 2x shelf panel (**9**) and slide in on top side of 8x Shelf Support (**J**) (**As Shown**).

# HODEDAH®

## Step 13

### Final step...

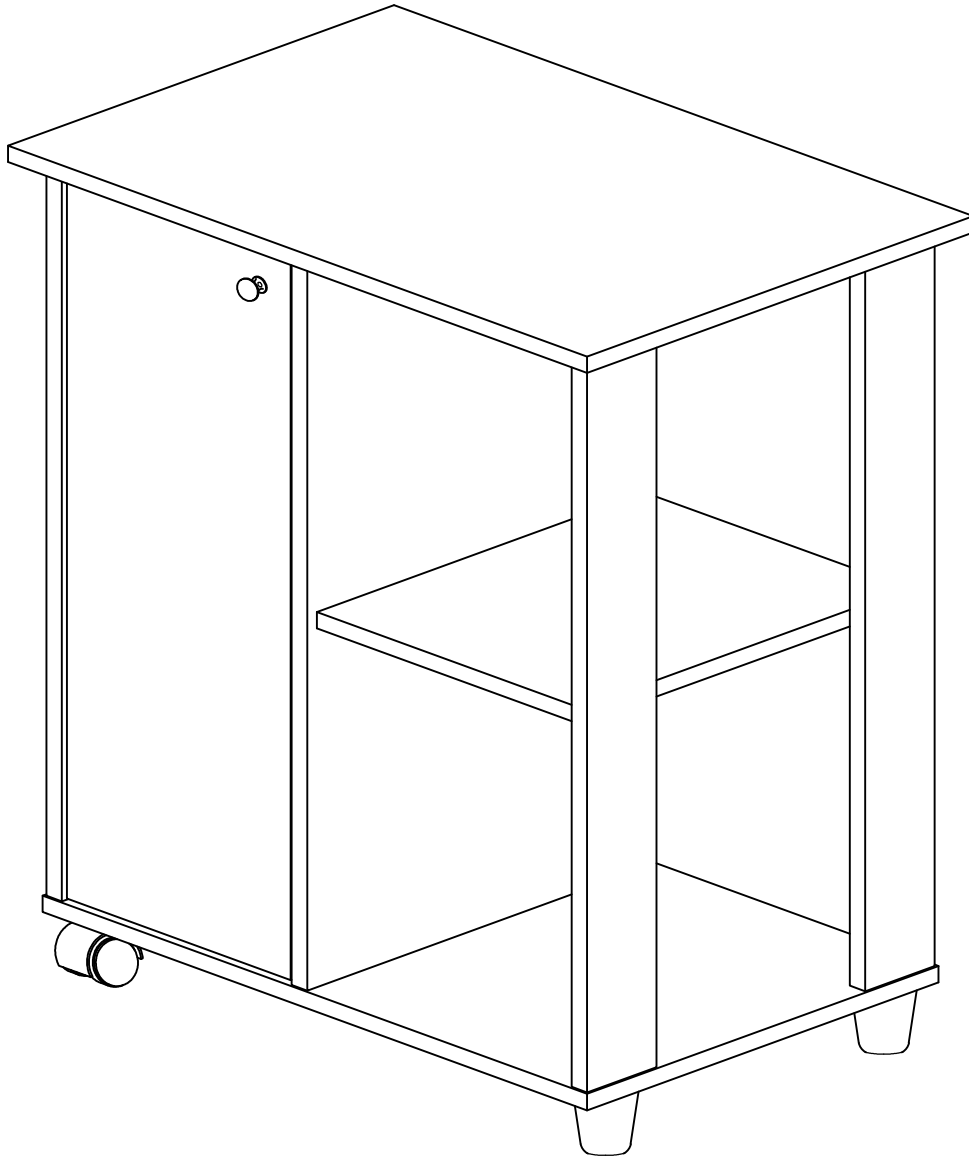
C	 CB SCREW M3.5X16MM	4
H	 MT STOPPER	2



1. Insert 1 x MT Stopper (**H**) into the holes at top panel (**1**) bottom side.
2. Insert 1 x MT Stopper (**H**) into the holes at bottom panel (**8**) top side.
3. Slide in panel (**10**) into MT Stopper (**H**) between panel (**1 & 8**). After that, use 4 x CB Screws M3.5x16mm (**C**) to tighten it.

# HODEDAH®

## Job Complete...



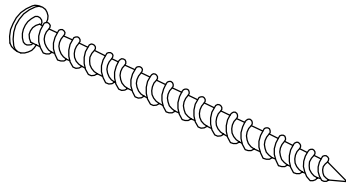
Enjoy & Thank you for purchasing from Hodedah!



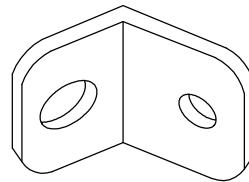
# HODEDAH®

## Installation of Anti-Tip Restraint

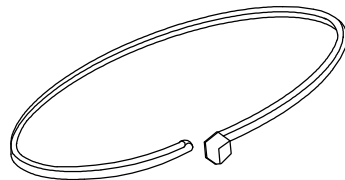
Kit includes:



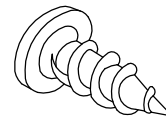
**A (x2)**  
Long screw



**B (x4)**  
Mounting bracket



**C (x2)**  
Restraint strap



**D (x2)**  
Short screw



## WARNING



**Serious or fatal crushing injuries can occur from furniture tip-over. To help Prevent tip-over:**

- Install tip-over restraint provided
- Place heaviest items in the lower drawers
- Do not set TV's or other heavy objects on top of this product
- Never allow children to climb or hang on drawers, doors or shelves
- Never open more than one drawer at a time
- Do not defeat or remove the drawer interlock system

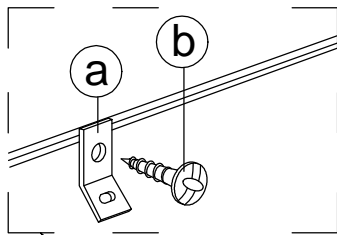
**Use tip-over restraints may only reduce but not eliminate the risk of tip-over.**

**IMPORTANT:** Use of this safety kit is mandatory. This restraint is not a substitute for proper adult supervision. Failure to detach this restraint before moving furniture may result in injury and damage. **If the safety kit is not in the box, please contact our consumer service team at Tel. 1 (718) 456 0505 or Email [Support@Hodedah.com](mailto:Support@Hodedah.com) in order to obtain one before using the furniture.**

## FITTING OF ANTI-TIP SAFETY STRAP

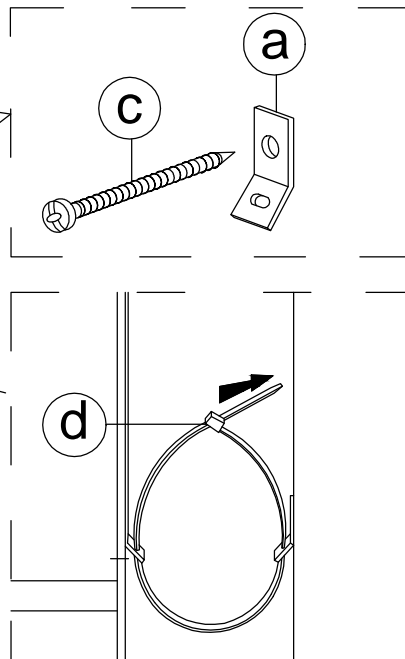
### STEP 1:

- Attach the mounting bracket (a) to the furniture in the solid part below the top panel a few inches away from the side of the unit.
- Screw (b) through the smallest hole of (a).



### STEP 2:

- Locate a stud in behind the have to
- Place the other mounting bracket (a) on the wall stud 2 inches below the mounting bracket secured to the back of your unit.
- Attach to the wall stud using (c) through the smaller hole of (a).



### STEP 3:

- Repeat the same step a few inches away from the other side of the unit.
- Place the furniture into position so both mounting brackets are vertically in line.
- Lace the end of the restraint strap through the larger holes in each mounting bracket.
- Secure the straps and lock into place.

