

# HODEDAH®

## Assembly Instructions

This instruction booklet contains important safety information, please read and keep for future reference.

### ITEM # HIK 72-T (MOP)

MICROWAVE CART



2 people



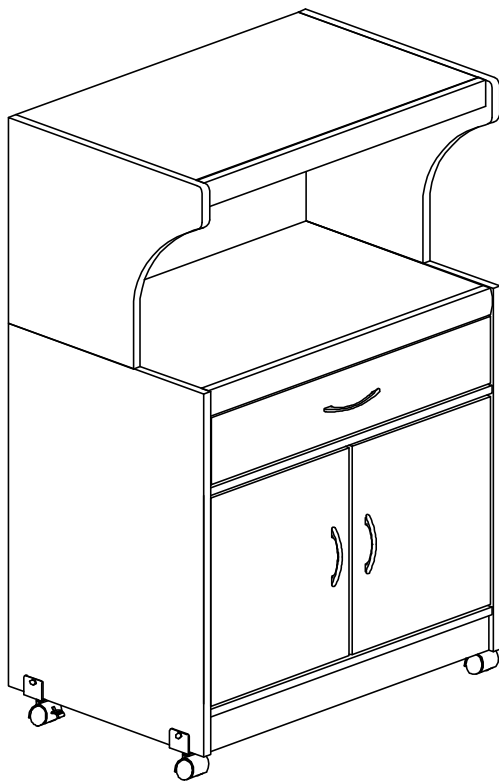
70 mins



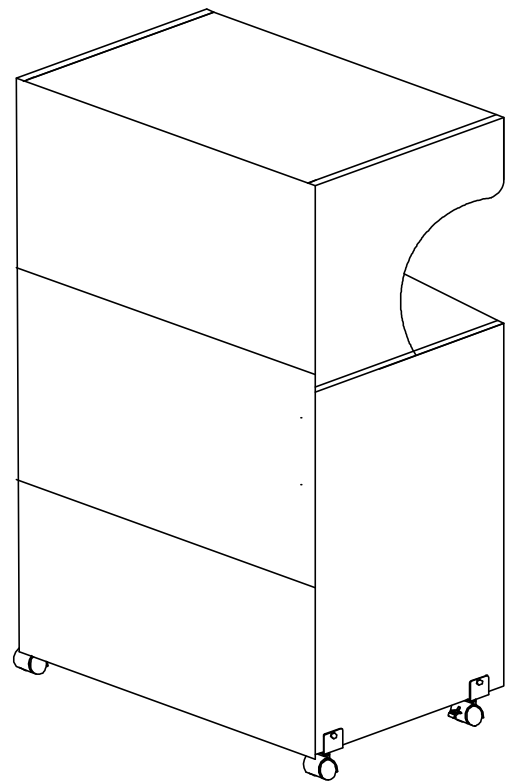
1 YR LTD



1 Box



FRONT VIEW



REAR VIEW

**Product Dimensions : Height 45.2" x Width 24" x Depth 15.8"**

# HODEDAH®

Questions, need parts, we are here to help!



Phone

Mon - Fri | 9:30am to 5pm EST

1 - 855 - HODEDAH

1 - 855 - 463 - 3324



Email

Send us an email

Support@Hodedah.com



Website

Visit our website to open a case

www.Hodedah.com

FOR PROMPT, RELIABLE SERVICE PLEASE HAVE YOUR INSTRUCTION MANUAL READY



## DO NOT RETURN PRODUCT TO THE STORE

If parts are missing or damaged please contact our customer service team and we will gladly ship your replacement parts FREE of charge within ONE YEAR of purchase!

## WARRANTY

Hodedah warrants this product to be free from defect in materials and workmanship and agrees to remedy and such defect. This warranty covers one year from the date of original purchase. This is solely limited to replacement of defective parts and no assembly for labor is included. This warranty does not apply to any product that has been improperly assembled, subjected to misuse, abuse or which has been altered or repaired in any way. To obtain warranty service, original purchaser must present the following; original bill of sale, date of purchase, where the product was purchased and images if applicable. Components replaced warranted through the remainder of the original warranty only. The defective part will be replaced without charge, subject to the terms and conditions described above.

## WARNING

- This product contains small parts, keep away from children.
- This product contains plastic bags, keep away from children.
- Serious or fatal crushing injuries can occur from furniture tip-over. To help prevent this, place heaviest items on the lower shelves and drawers. Do not set heavy object on top shelves and drawers.
- Never allow children to climb or hang on drawers, shelves and doors.
- Never open more than one drawer at a time.
- The use of tip-over restraints may reduce but not eliminate the risk of tip-over.

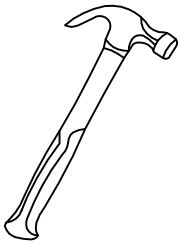
# HODEDAH®

## Let's get started...

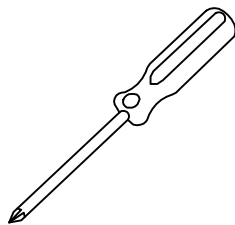
### Helpful hints, read before beginning assembly

- Make sure you receive all boxes. if your item is packed in one box, box count will read 1 of 1, likewise if your item is packed in two boxes, box count will read 1 of 2 and second box will read 2 of 2.
- Read each step carefully. It is very important that each step is performed in the correct order. If these steps are not followed in sequence, assembly difficulties will occur.
- Work in a spacious level area, preferably carpet, near the place the unit will be used.
- **DO NO USE** power tools to assemble your furniture, it will strip and damage parts.
- Your package should include the following hardware and parts. Parts are labeled or stamped on the raw edge. Please inspect contents to ensure you have received all components. **If you are missing any hardware or parts please contact customer service right away before assembly.**

## Assembly Tools Required (not supplied)



Hammer



Philips Screwdriver



Tape Measure

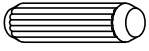

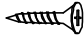



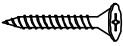
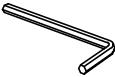

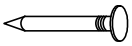


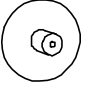

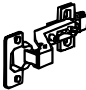

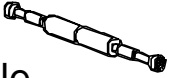
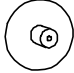





No Power Tools Needed

## Product Care and Maintenance

- Wipe clean with dry soft cloth, never use chemicals or cleaning products they will damage the finish.
- Avoid placing your furniture in direct sunlight, as sunlight causes fading.
- Never push, drag or pull your furniture, to move to a new location carefully with two or more people carry the unit to its new location.
- Avoid extreme changes in temperature by arranging furniture away from radiators, heat and air vents and air conditioning units.

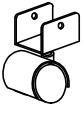

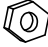
## Hardware List

<b>A</b>  <b>M8x25MM</b>	<b>QTY</b>  24 Pcs	<b>B</b>  <b>M8x40MM</b>	<b>QTY</b>  4 Pcs	<b>C</b>  <b>M3.5X12MM</b>	<b>QTY</b>  28 Pcs
<b>D1</b>  Moon Handle 96MM	 3 Pcs	<b>D2</b>  <b>M4X20MM</b>	 4 Pcs	<b>D3</b>  <b>M4X32MM</b>	 2 Pcs
<b>E</b>  <b>M4X38MM</b>	 8 Pcs	<b>F</b>  Allen Key	 1 Pcs	<b>G</b>  2 Pin Stopper	 1 Pcs
<b>H</b>  Nail 5/8	 37 Pcs	<b>I1</b>  Minifix Nut	 18 Pcs	<b>I2</b>  Minifix Bolt	 18 Pcs
<b>I3</b>  Minifix Cap	 18 Pcs	<b>J</b>  Shelf Support	 4 Pcs	<b>K</b>  Hinges 7/8	 4 Pcs
<b>L1</b>  Double Head Minifix Nut	 8 Pcs	<b>L2</b>  Double Head Minifix Bolt	 4 Pcs	<b>L3</b>  Double Head Minifix Cap	 8 Pcs
<b>M1</b>  Drawer Slide "14	 2 Pcs	<b>M2</b>  Drawer Slide "14	 2 Pcs	<b>N1</b>  Caster With Stopper	 2 Pcs

### Important

1. Before you throw the package, please use the Check Box to identify the parts and hardware to ensure that you have everything you need.
2. Check and measure the bolts before applying them to parts.
3. Do not completely tighten all hardware until the entire assembly is complete, unless indicated otherwise.

## Hardware List

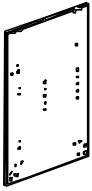
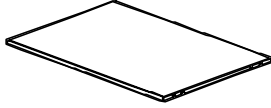
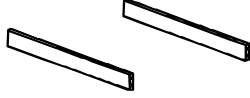
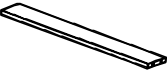
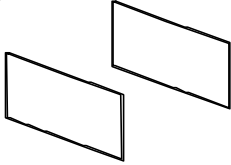
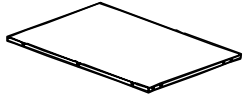
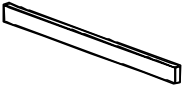
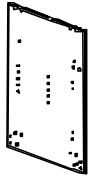
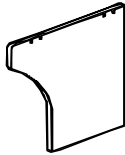
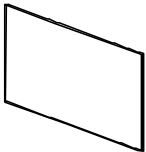
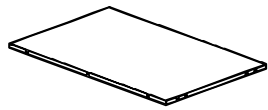
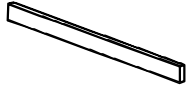
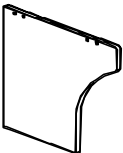
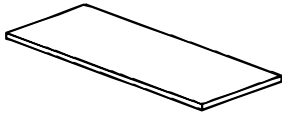
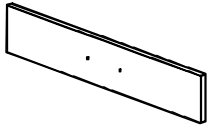
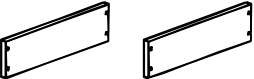
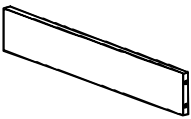
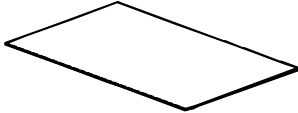
N2			N3			N4		QTY
Caster W/Out Stopper	2 Pcs		Caster's Screw	4 Pcs		Caster's Nut	4 Pcs	

### Important

1. Before you throw the package, please use the Check Box to identify the parts and hardware to ensure that you have everything you need.
2. Check and measure the bolts before applying them to parts.
3. Do not completely tighten all hardware until the entire assembly is complete, unless indicated otherwise.

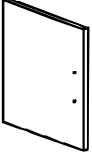
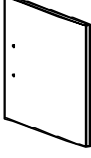
# HODEDAH®

## Parts List

1  700x400x15mm	QTY 1 Pcs	2  580x398x15mm	QTY 1 Pcs	3  580x66x15mm	QTY 2 Pcs
4  580X66X15mm	1 Pcs	5  610x333x2.5mm	2 Pcs	6  580x380x15mm	1 Pcs
7  580x51x15mm	1 Pcs	8  700x400x15mm	1 Pcs	9  398x398x15mm	1 Pcs
10  610x362x2.5mm	1 Pcs	11  580x355x15mm	1 Pcs	12  580x51x15mm	1 Pcs
13  398x398x15mm	1 Pcs	14  580x235x12mm	1 Pcs	15  574x130x12mm	1 Pcs
16  357x116x12mm	2 Pcs	17  531x116x12mm	1 Pcs	18  554x356x2.5mm	1 Pcs

# HODEDAH®

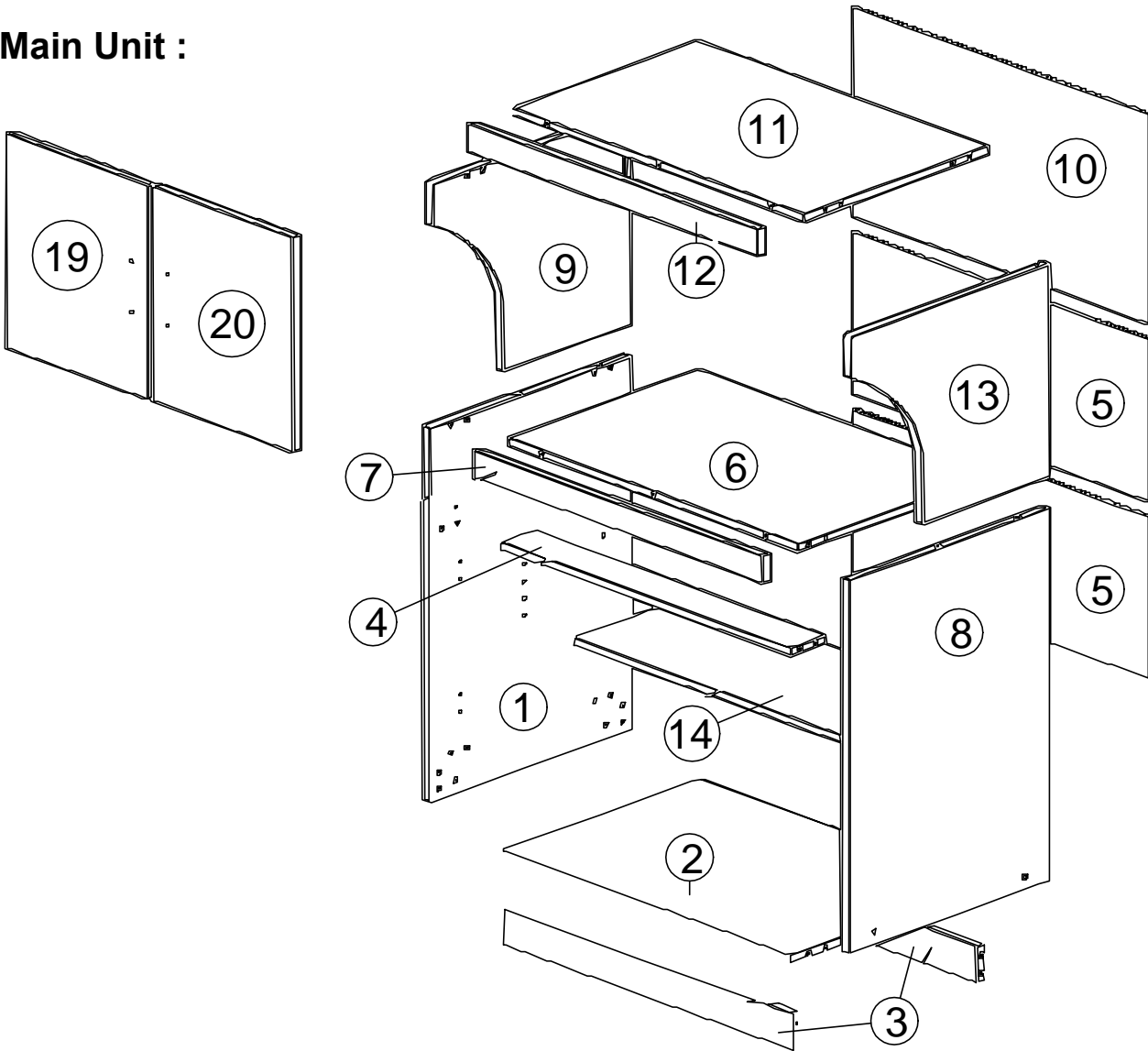
## Parts List

19		20	
	QTY		QTY
400x284x12mm	1 Pcs	400x284x12mm	1 Pcs

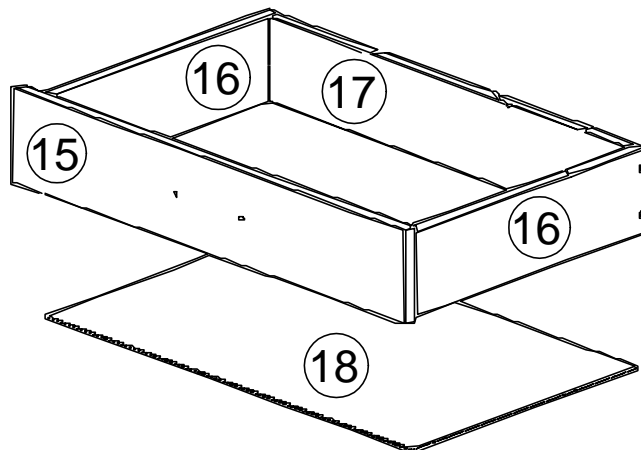
# HODEDAH®

## The Breakdown...

### I) Main Unit :



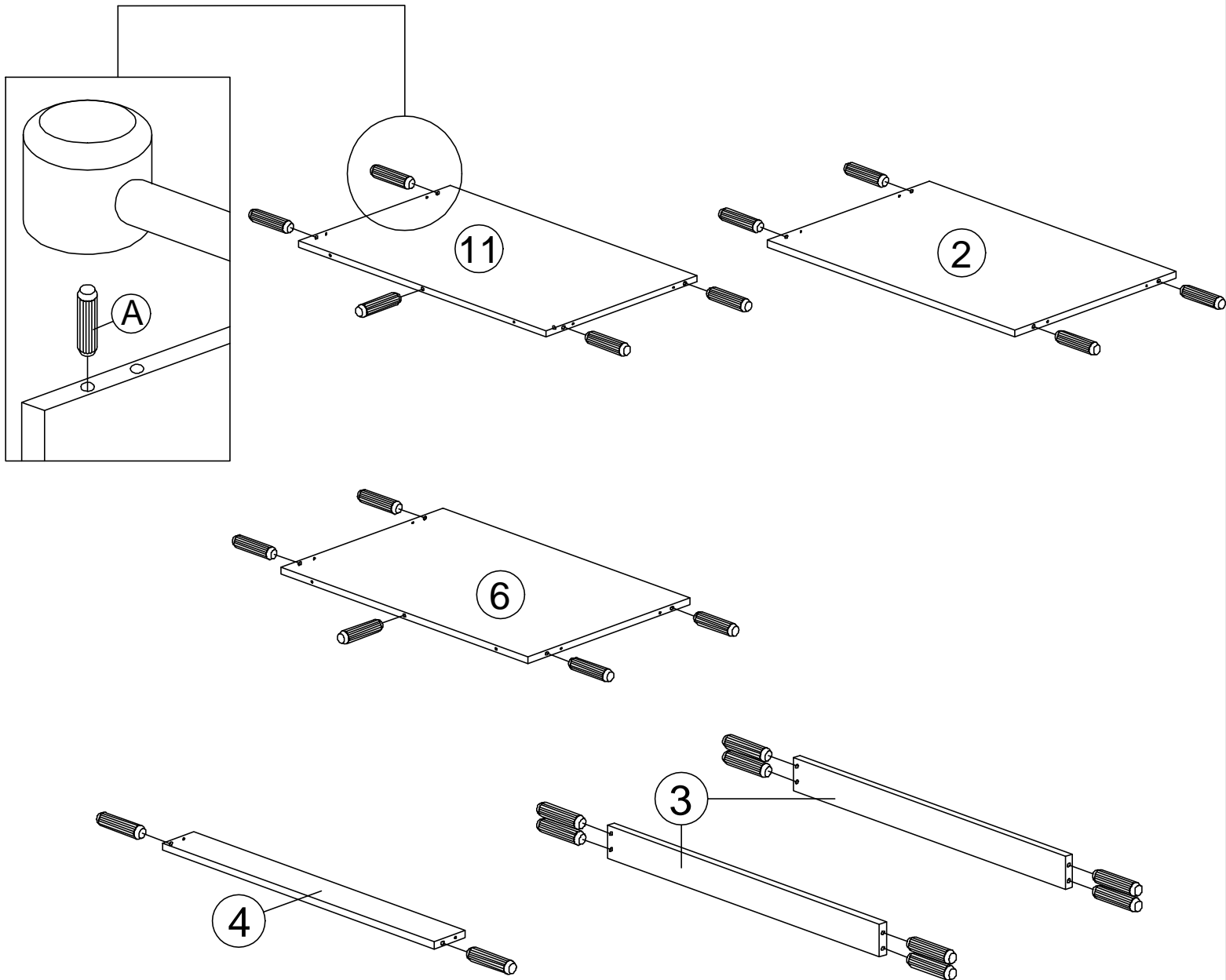
### II) Door & Drawer :





## Step 1

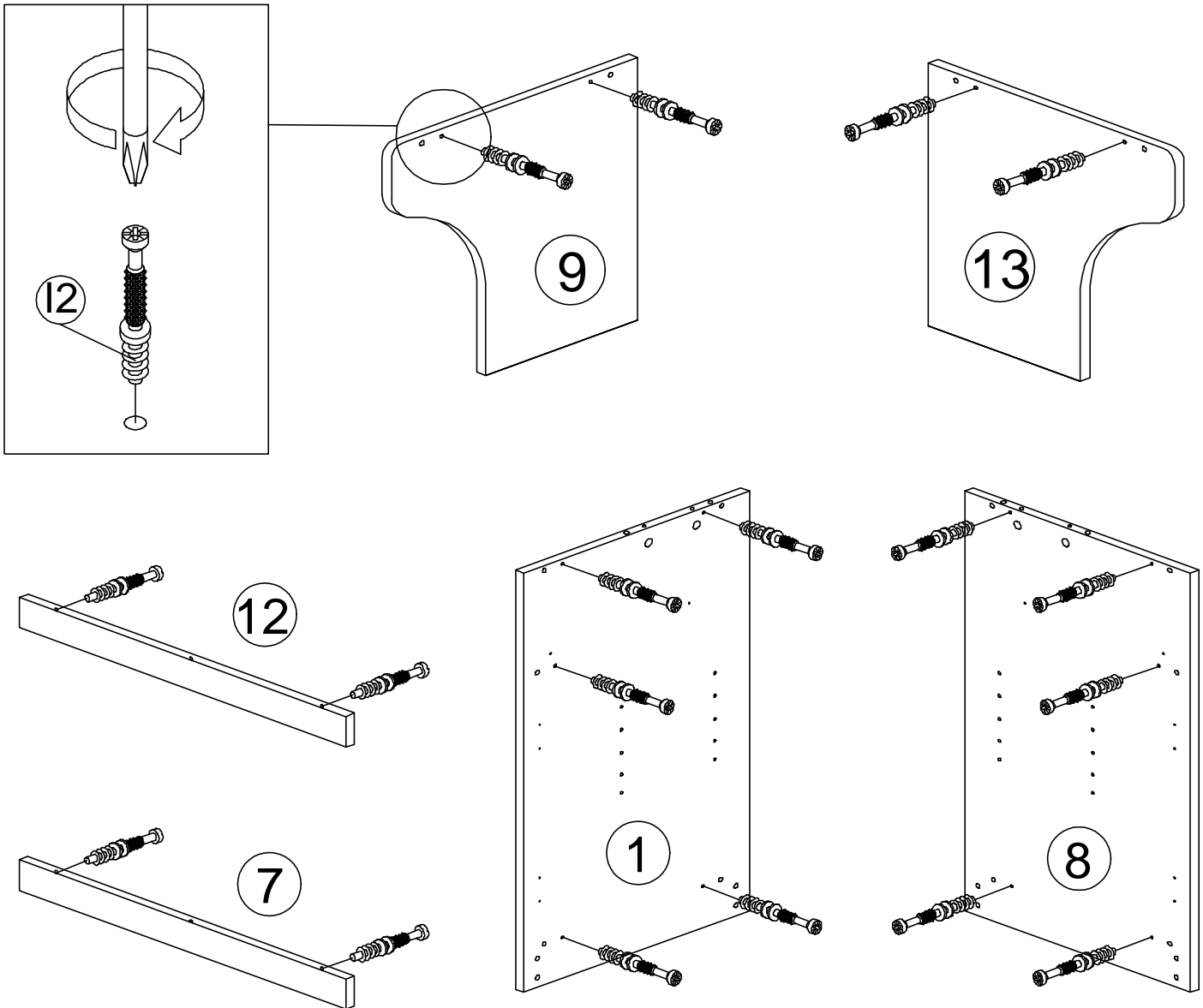
A	 WOOD DOWEL M8x25MM	24
---	--	----



1. Insert 24 x wood dowels (A) into panel (2,3,4,6 & 11) with hammer to gently tap them in.

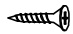


## Step 2

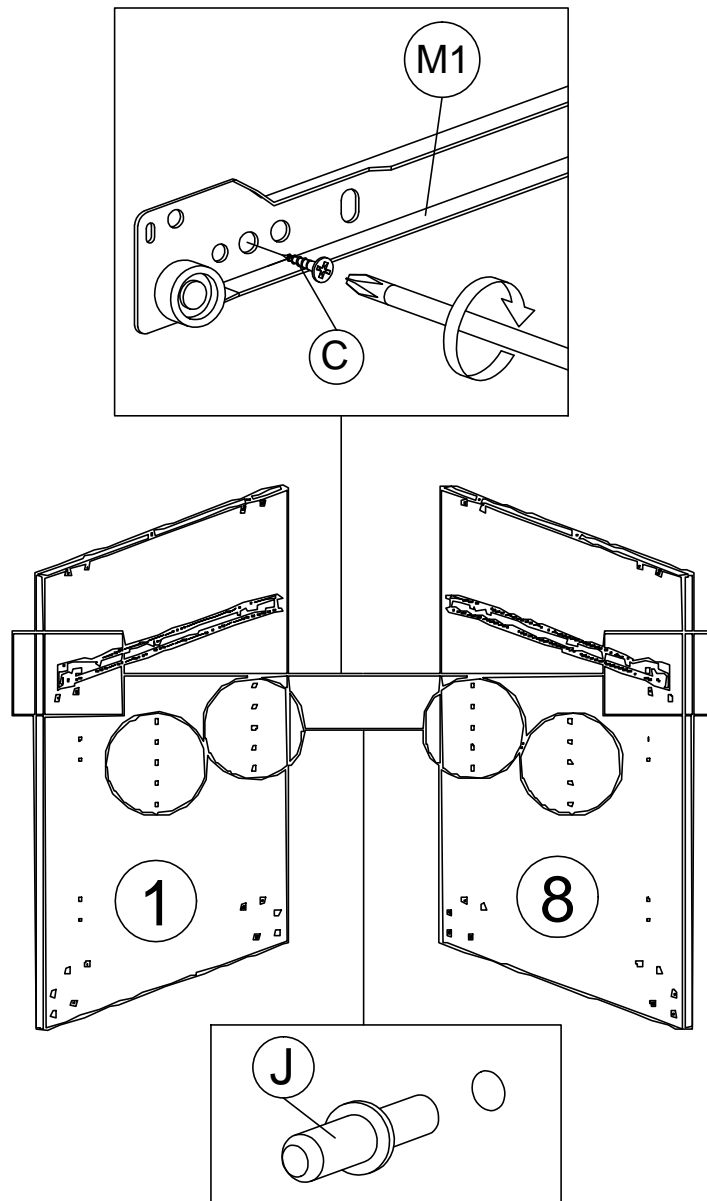
12		MINIFIX BOLT	18
----	---	--------------	----



1. Insert 18 x minifix bolt (12) into panel (1,7,8,9,12 & 13).

## Step 3

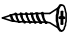


C		CB SCREW M3.5X12MM	6
J		SHELF SUPPORT	4
M1		DRAWER SLIDE "14	2




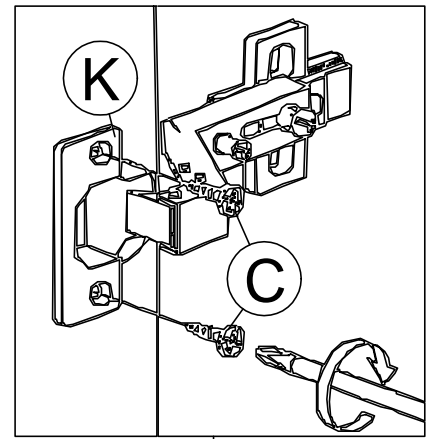
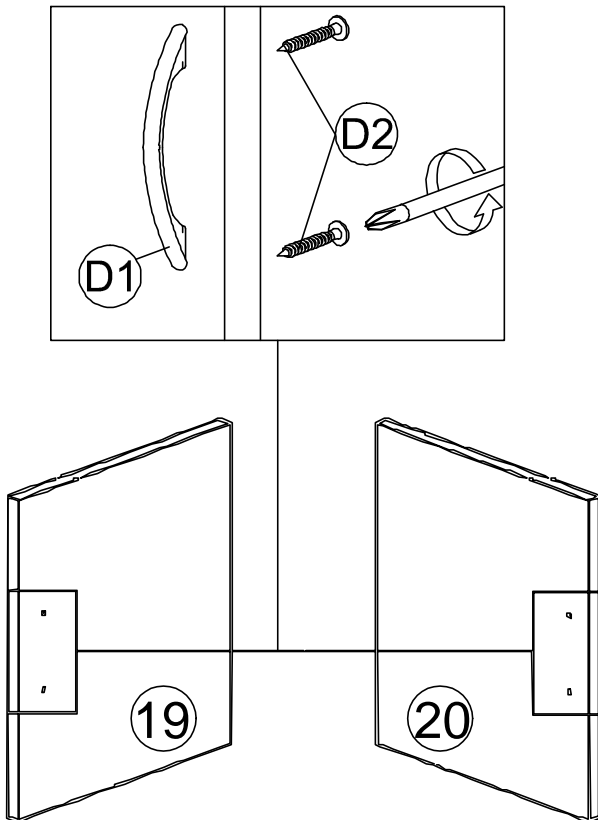
1. Place the drawer slide (**M1**) onto 3 holes area shown at left side panel (**1**). Then tighten it with 3 x cb screw M3.5x12mm (**C**).
2. Place the drawer slide (**M1**) onto 3 holes area shown at right side panel (**8**). Then tighten it with 3 x cb screw M3.5x12mm (**C**).
3. Insert 4 x shelf support (**J**) into panel (**1 & 8**).

# HODEDAH®

## Step 4

C		CB SCREW M3.5X12MM	8
D1		MOON HANDLE 96MM	2
D2		CB SCREW M4X20MM	4

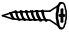


K		HINGES 7/8	4
---	---	------------	---

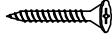
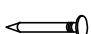



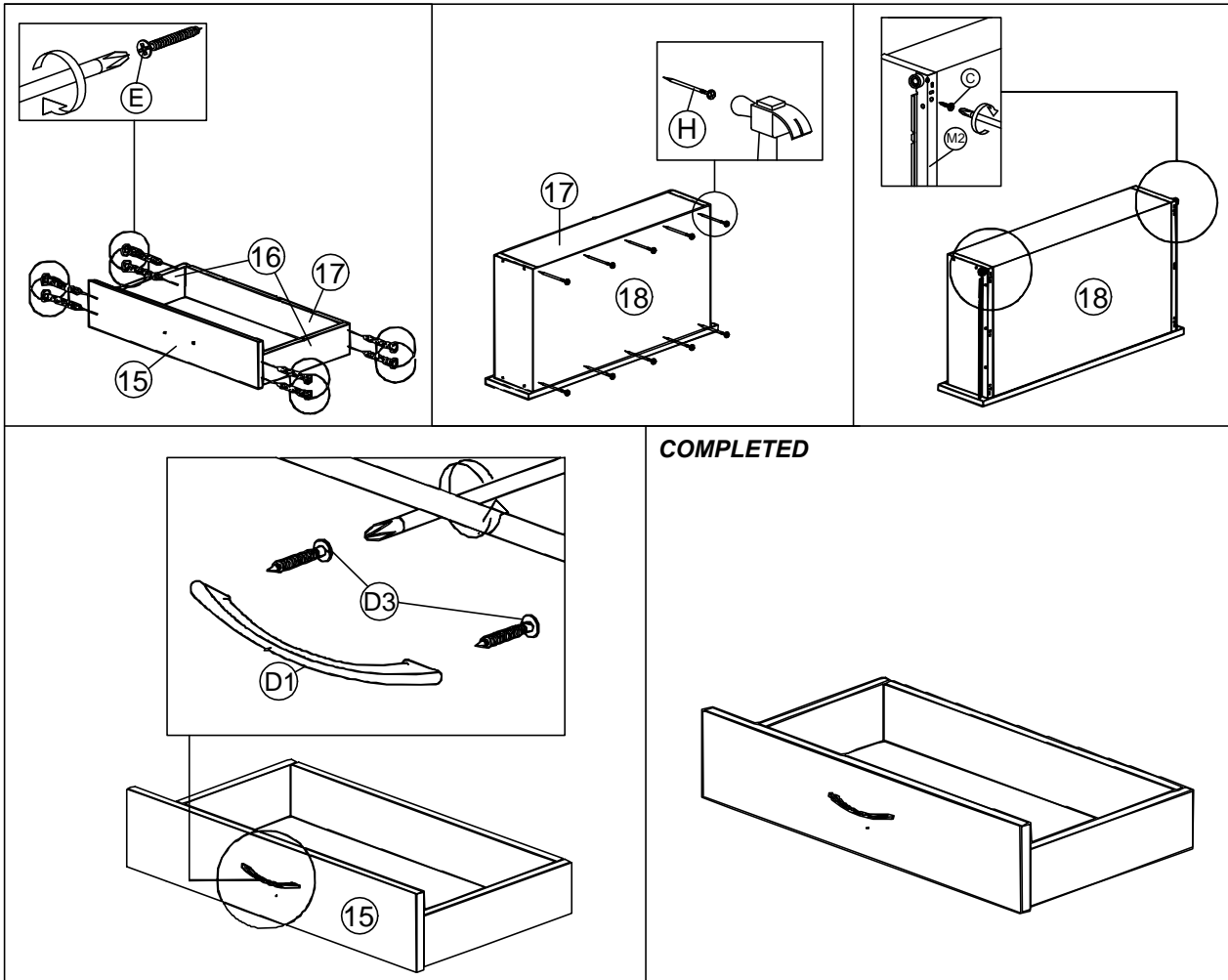
1. Fix 2 x moon handle (**D1**) to panel (**19 & 20**) front by using 2 x cb screw M4x20mm (**D2**) for fix it.
2. Insert 4 x slot hinges (**K**) into panel (**19 & 20**) non-thru holes as shown, then tighten 8 x cb screw M3.5x12mm (**C**) through slot hinges (**K**) thru hole.

# HODEDAH®

## Step 5

C		CB SCREW M3.5X12MM	6
D1		MOON HANDLE 96MM	1
D3		CB SCREW M4X32MM	2

E		CB SCREW M4X38MM	8
H		NAIL 5/8	10
M2		DRAWER SLIDE "14	2

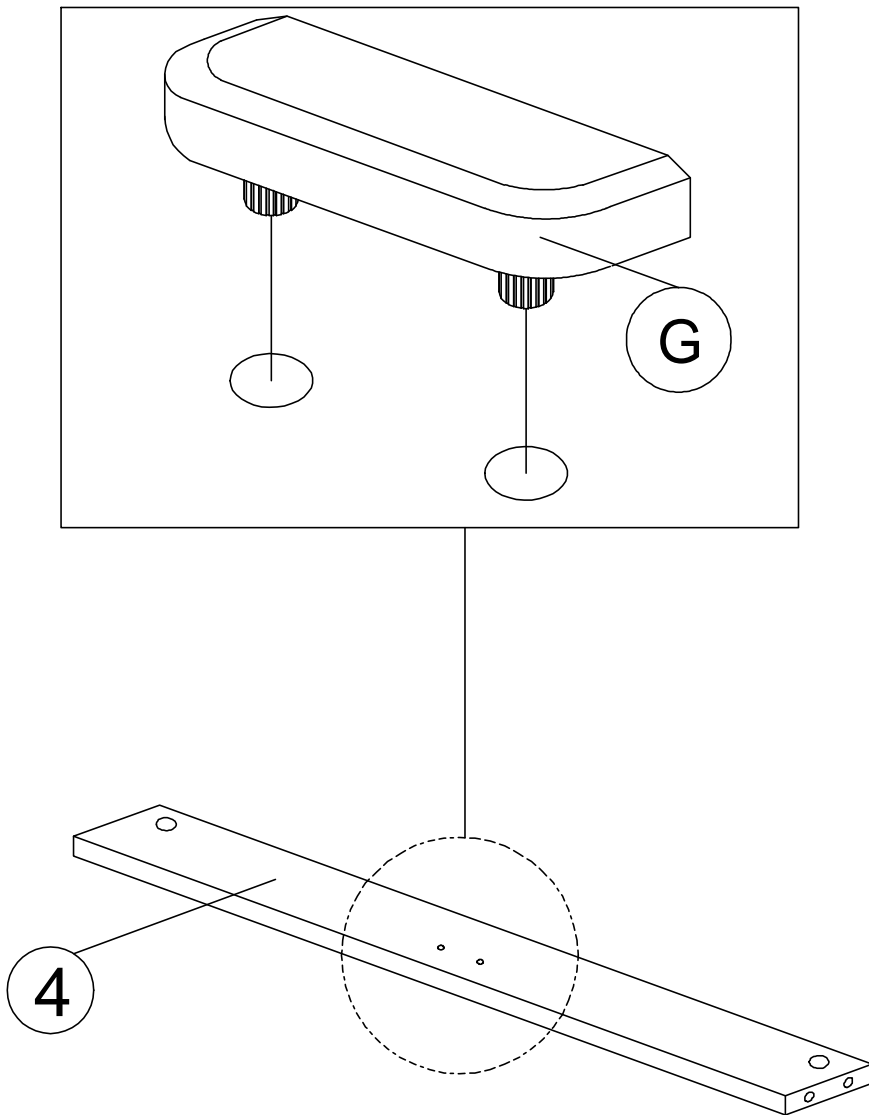


1. Place 2 x panels **(16)** next to each side of panel **(15 & 17)**. **(As Shown)**. Then tighten 8 x screws **(E)** from the sides of panel **(16)** to the edges of panel **(15 & 17)** with screwdriver.
2. Flip down bottom side up, take panel **(18)** and using nail **(H)** slightly hammer nails into the edges thru panel **(18)** onto panel **(15 #Draw Front)** and panel **(17 #Draw Back)**.
4. Then place drawer slides **(M2)** onto the edges of panels **(16 #Both sides)** and screw in three Letter **(C)** screws onto each hole of the drawer slides connecting it to panels **(16)** with screwdriver. **(As Shown)**.
5. Flip down around and attach **(D1)** handle to front panel **(15)** using 2 x screws **(D3)** from the inner side panel **(15)** with screwdriver.

# HODEDAH®

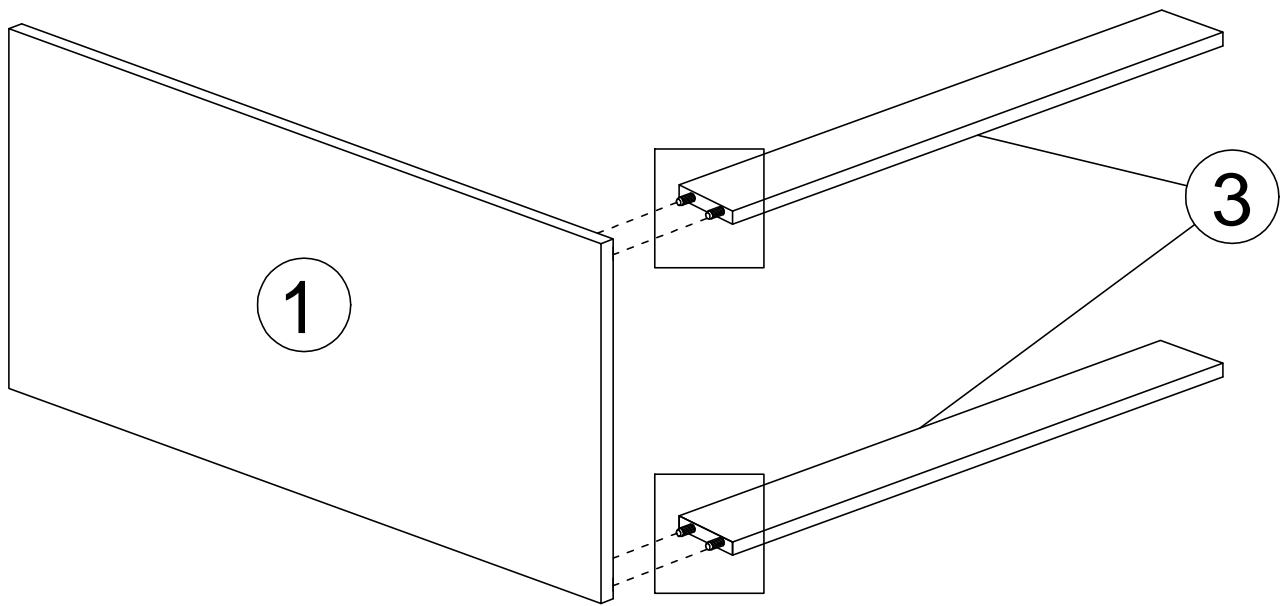
## Step 6

G		2 PIN STOPPER	1
---	---	---------------	---



1. Insert the 2 pin stopper (**G**) into panel (**4**)'s non-thru holes as shown.

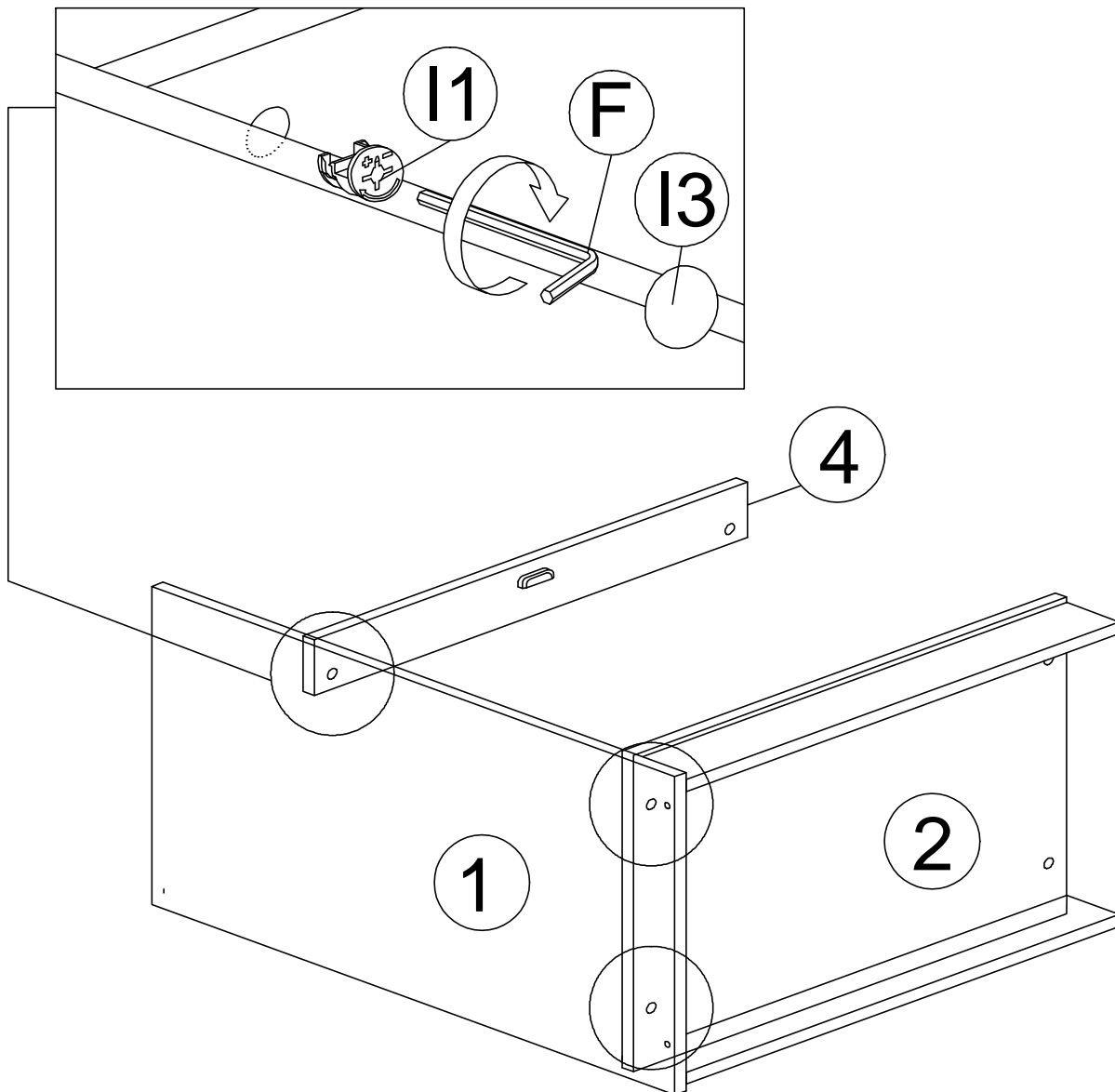
## Step 7



1. Fix 2 x panel (3) to panel (1) by pushing the 4 x (**Left**) dowels into the non-thru holes at lower corner area of panel (3).

## Step 8

I1		MINIFIX NUT	3
I3		MINIFIX CAP	3
F		ALLEN KEY	1



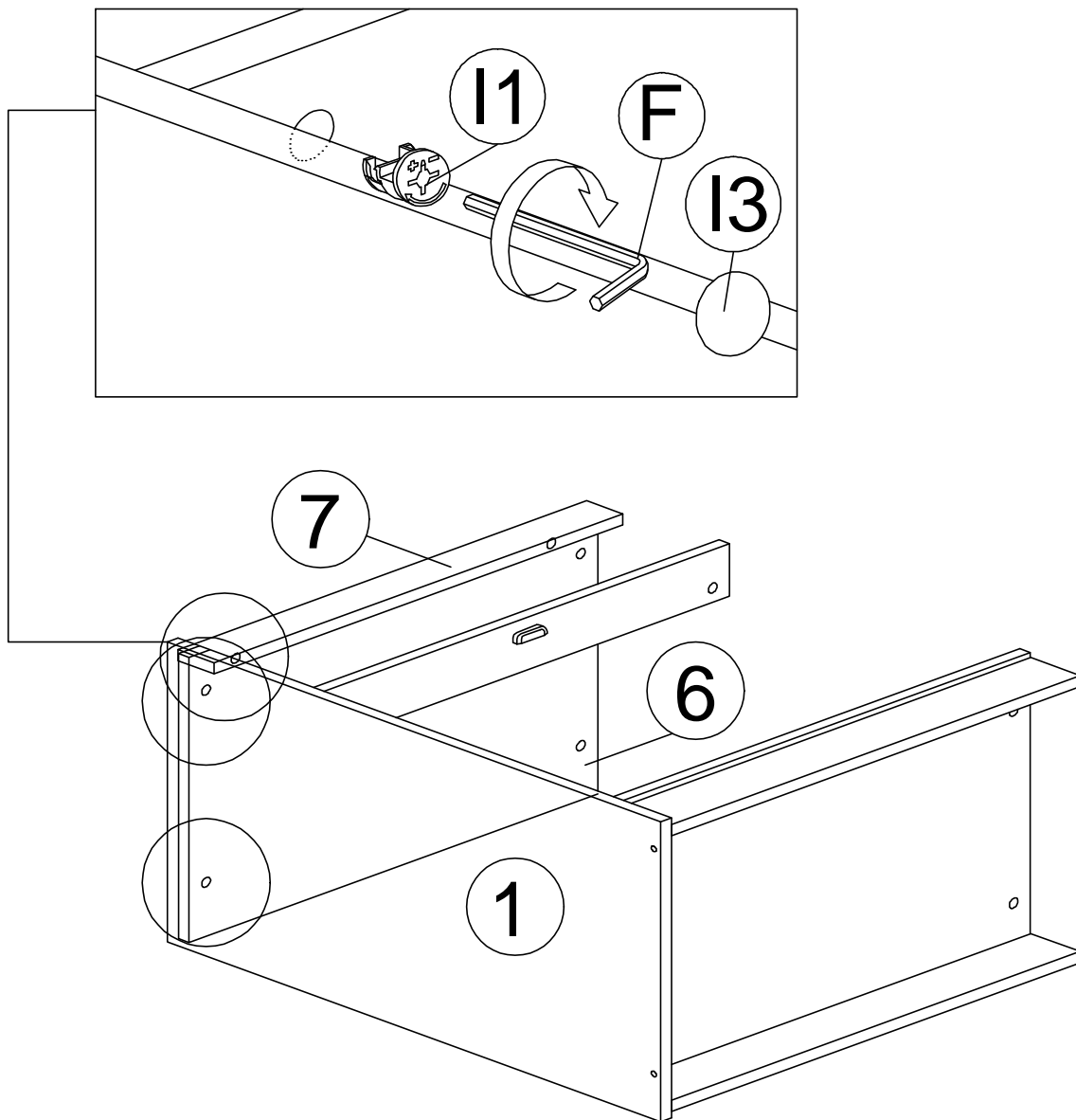
1. Fix panel (2 & 4) to panel (1) by using 3 x minifix nut (I1) into panel (2 & 4) 's L-thru holes as shown with allen key (F) to tighten it. After that insert 3 x cap (I3).



# HODEDAH®

## Step 9

I1		MINIFIX NUT	3
I3		MINIFIX CAP	3
F		ALLEN KEY	1

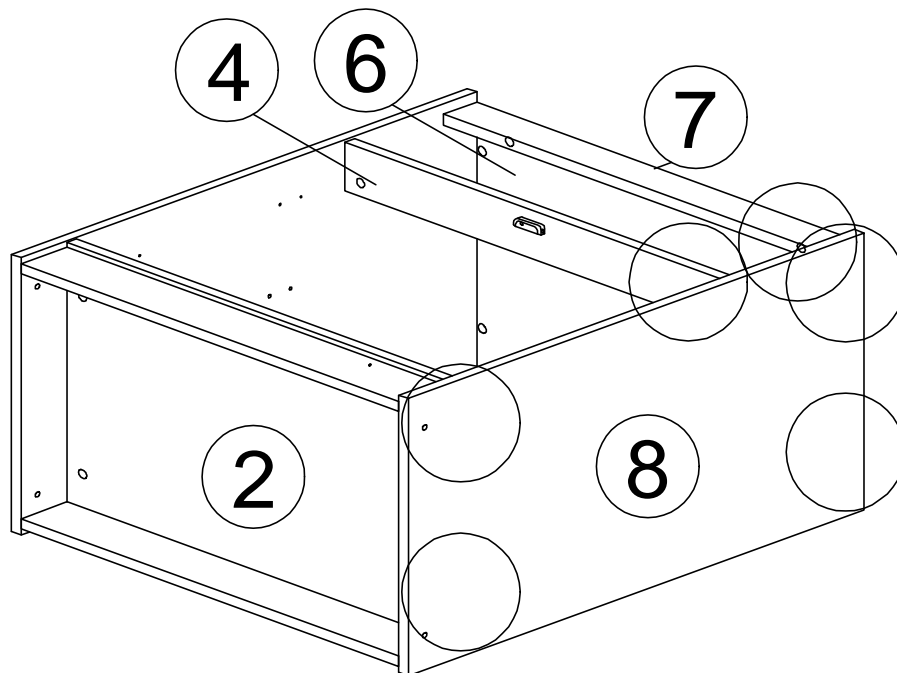
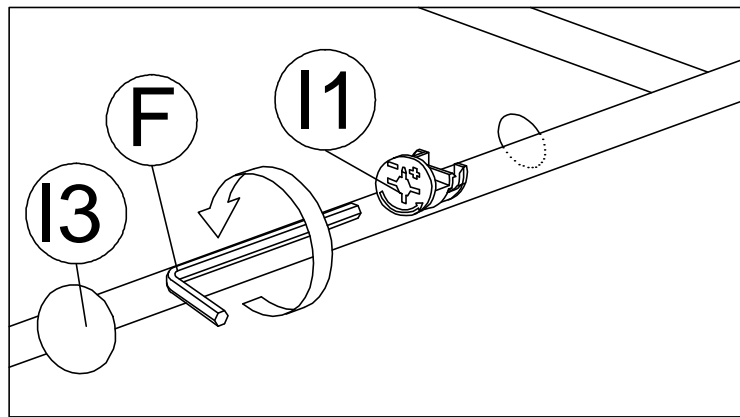


1. Fix panel **(6 & 7)** to panel **(1)** by using 3 x minifix nut **(I1)** into panel **(6 & 7)** 's L-thru holes as shown with allen key **(F)** to tighten it. After that insert 3 x cap **(I3)**.

# HODEDAH®




## Step 10

I1		MINIFIX NUT	6
I3		MINIFIX CAP	6
F		ALLEN KEY	1

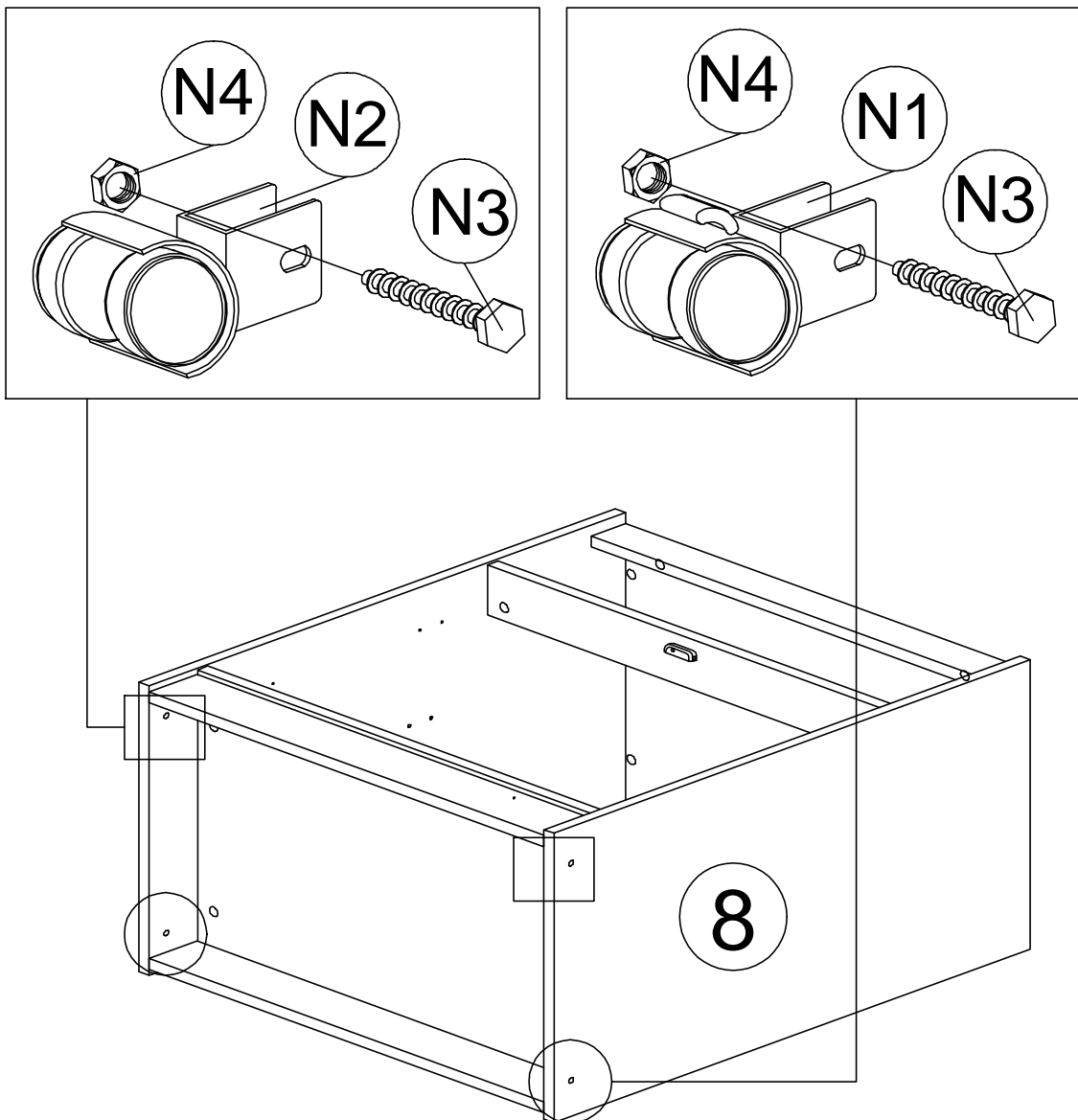


1. Fix panel **(2,4,6 & 7)** to panel **(8)** by using 6 x minifix nut **(I1)** into panel **(2,4,6 & 7)** 's R-thru holes with allen key **(F)** to tighten it. After that insert 6 x cap **(I3)**.

## Step 11

N1		CASTER WITH STOPPER	2
N2		CASTER W/OUT STOPPER	2
N3		CASTER'S SCREW	4

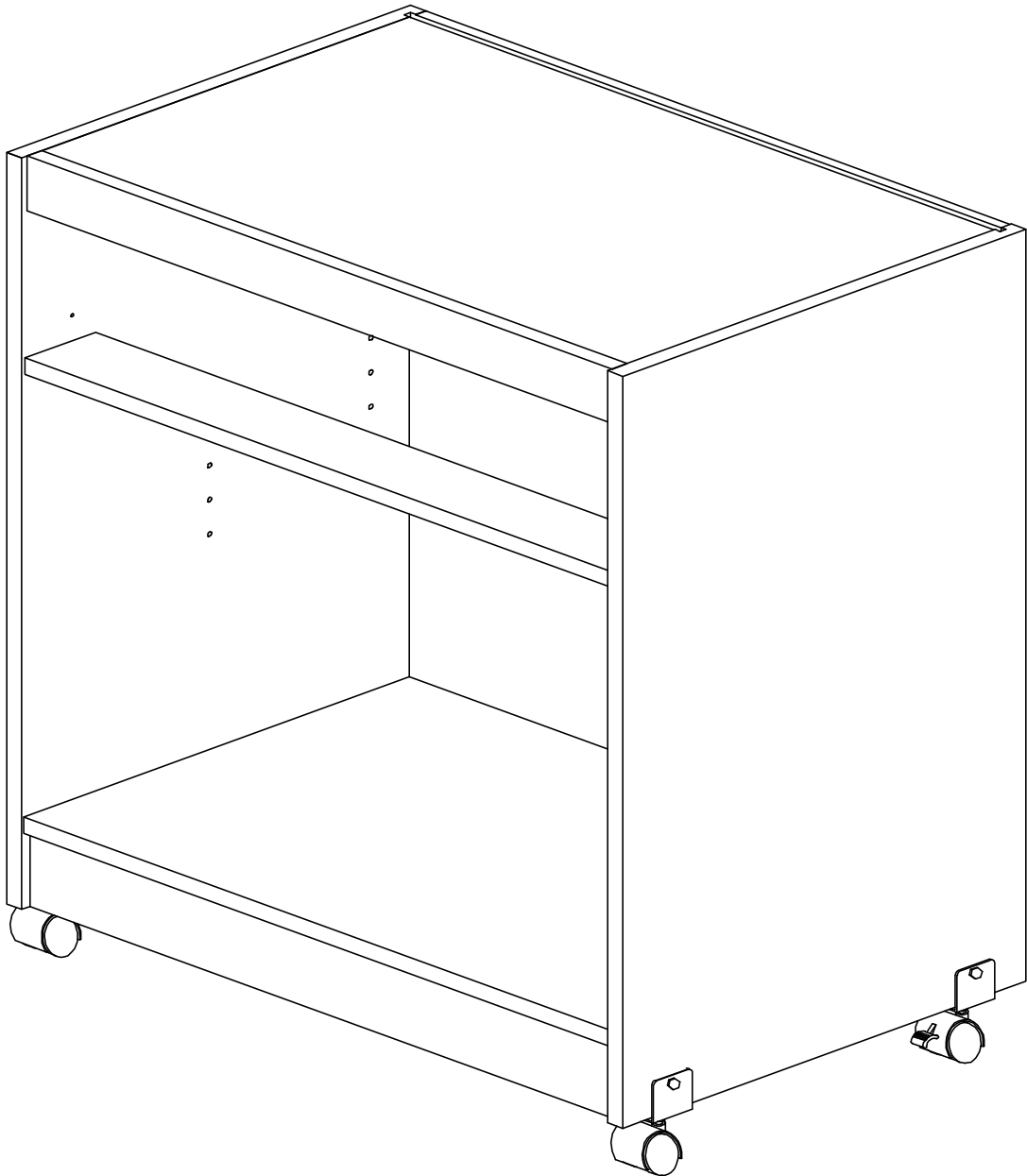
N4		CASTER'S NUT	4
----	---	--------------	---



1. Take caster (**N1 & N2**) (*One By One*). Slot the "U" metal part of caster onto the bottom edge (*At Each Corner Area*), insert and push the caster's screw (**N3**) thru from outside to inside, then tighten the nut (**N4**) as shown for all 4 casters.

# HODEDAH®

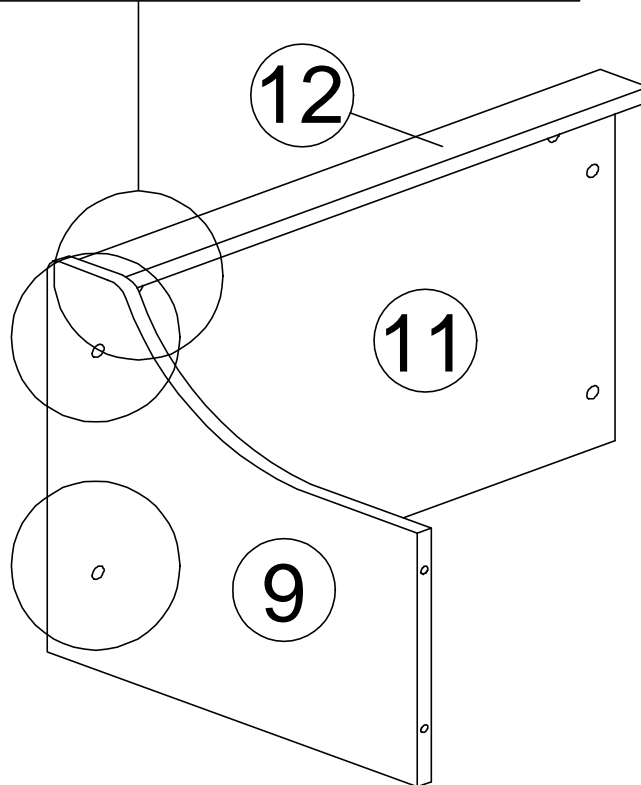
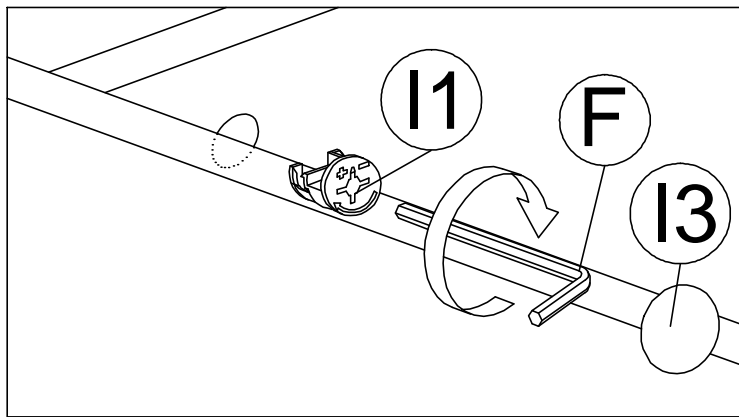
## Part 1



# HODEDAH®

## Step 12

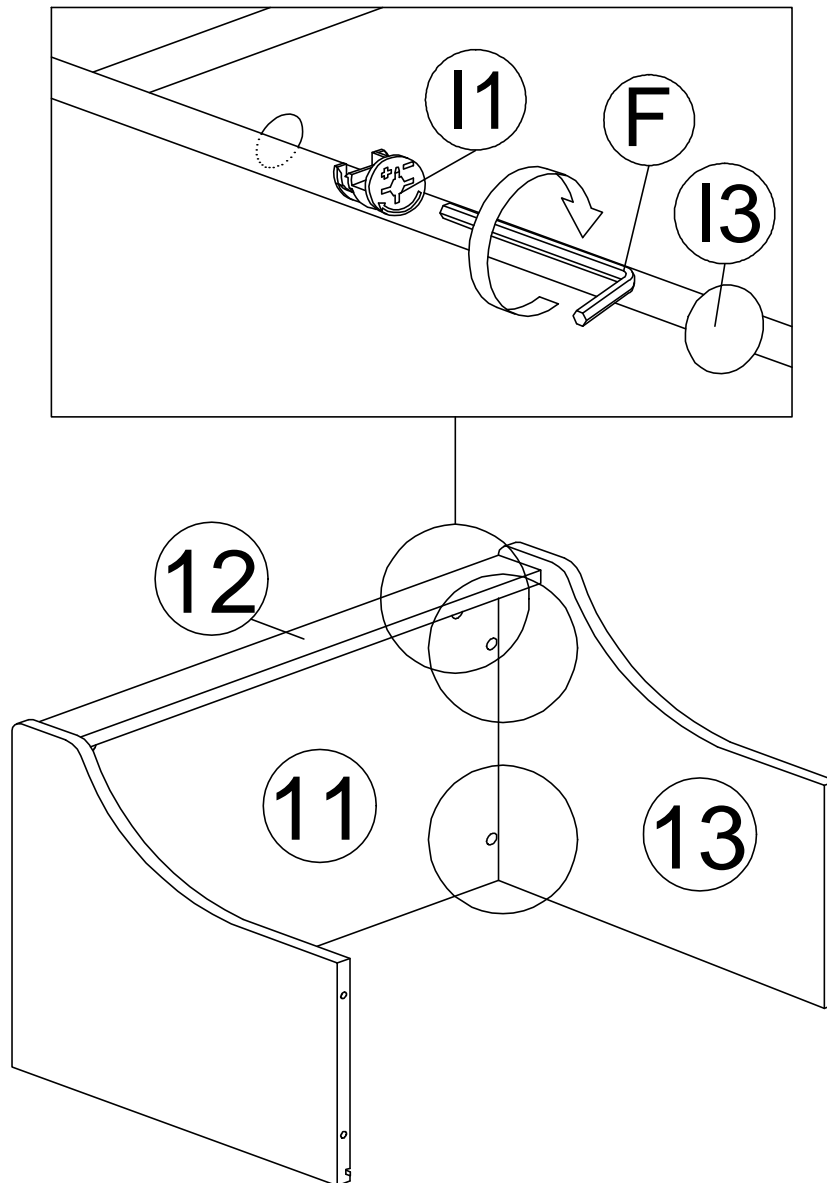
I1		MINIFIX NUT	3
I3		MINIFIX CAP	3
F		ALLEN KEY	1



1. Fix panel (11 & 12) to panel (9) by using 3 x minifix nut (I1) into panel (11 & 12) 's L-thru holes with allen key (F) to tighten it. After that insert 3 x cap (I3).

## Step 13

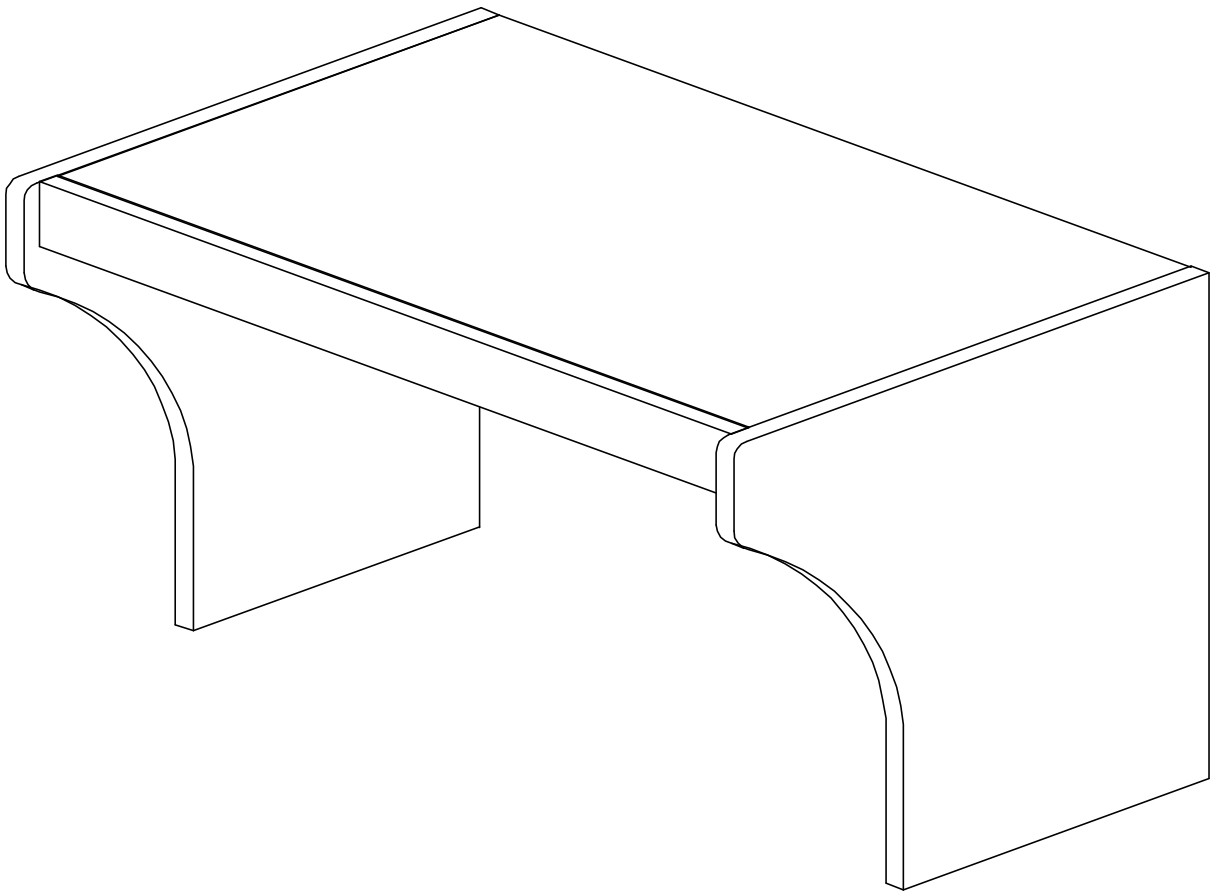
I1		MINIFIX NUT	3
I3		MINIFIX CAP	3
F		ALLEN KEY	1



1. Fix panel (11 & 12) to panel (13) by using 3 x minifix nut (I1) into panel (11 & 12) 's L-thru holes with allen key (F) to tighten it. After that insert 3 x cap (I3).


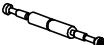

HODEDAH®



# Part 2

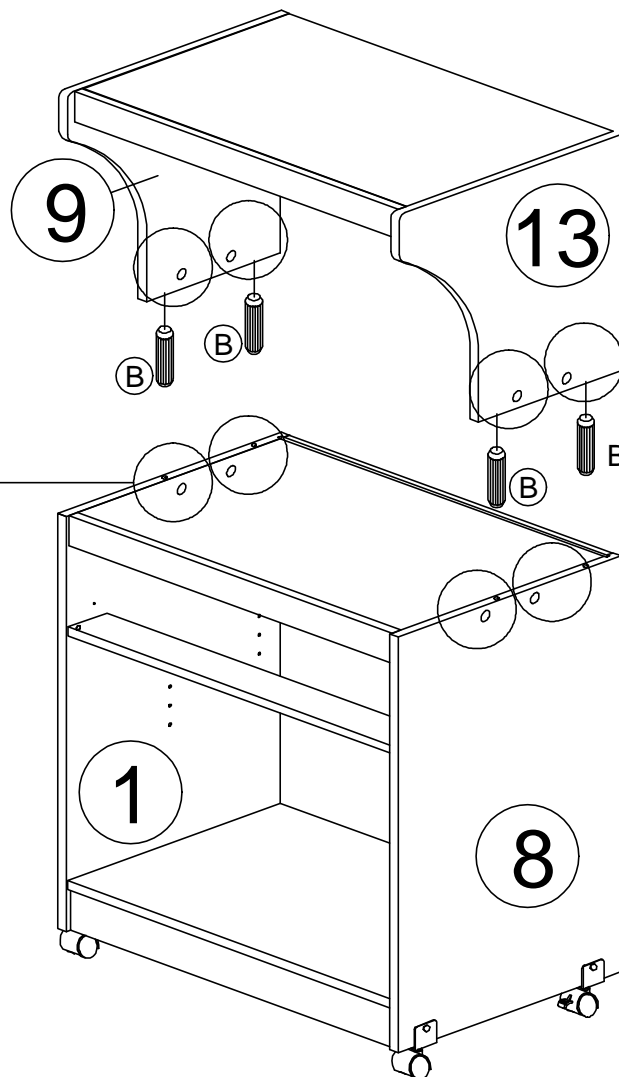
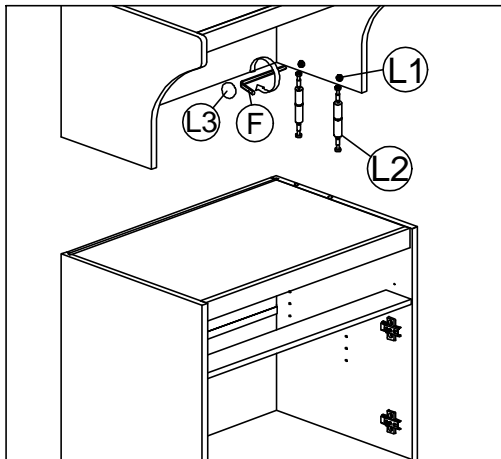


# HODEDAH®

## Step 14

L1		DOUBLE HEAD MINIFIX NUT	8
L2		DOUBLE HEAD MINIFIX BOLT	4
L3		DOUBLE HEAD MINIFIX CAP	8

B		WOOD DOWEL M8X40MM	4
F		ALLEN KEY	1




PART 2

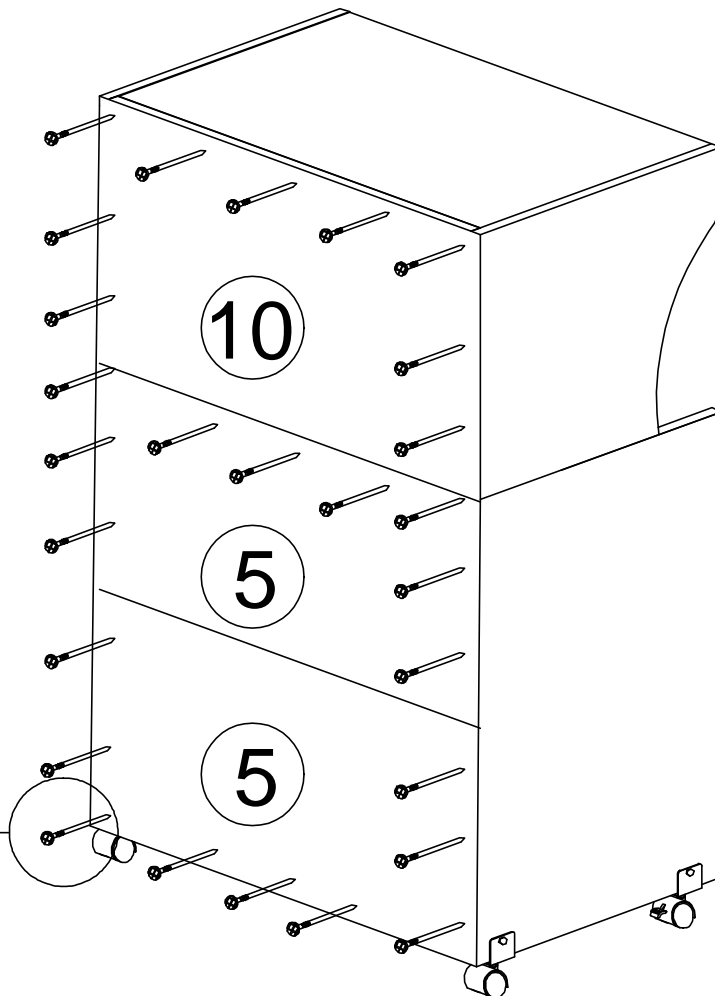
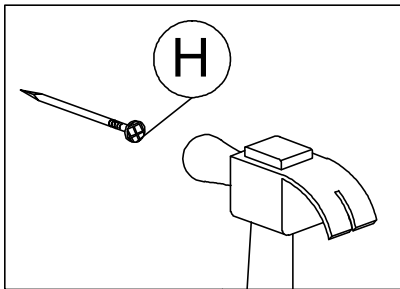
PART 1

1. Insert 4 x dowels (**B**) into panels (**9 & 13**) bottom side.
2. Insert 8 x minifix nut (**L1**) into panels (**1,8,9 & 13**) with allen key (**F**) to tighten it.
3. Place panels (**9 & 13**) to panels (**1 & 8**) by using 4 x minifix bolt (**L2**).
3. Then, insert 8 x cap (**L3**) into (**L1**) at panel (**9 & 13**).



## Step 15

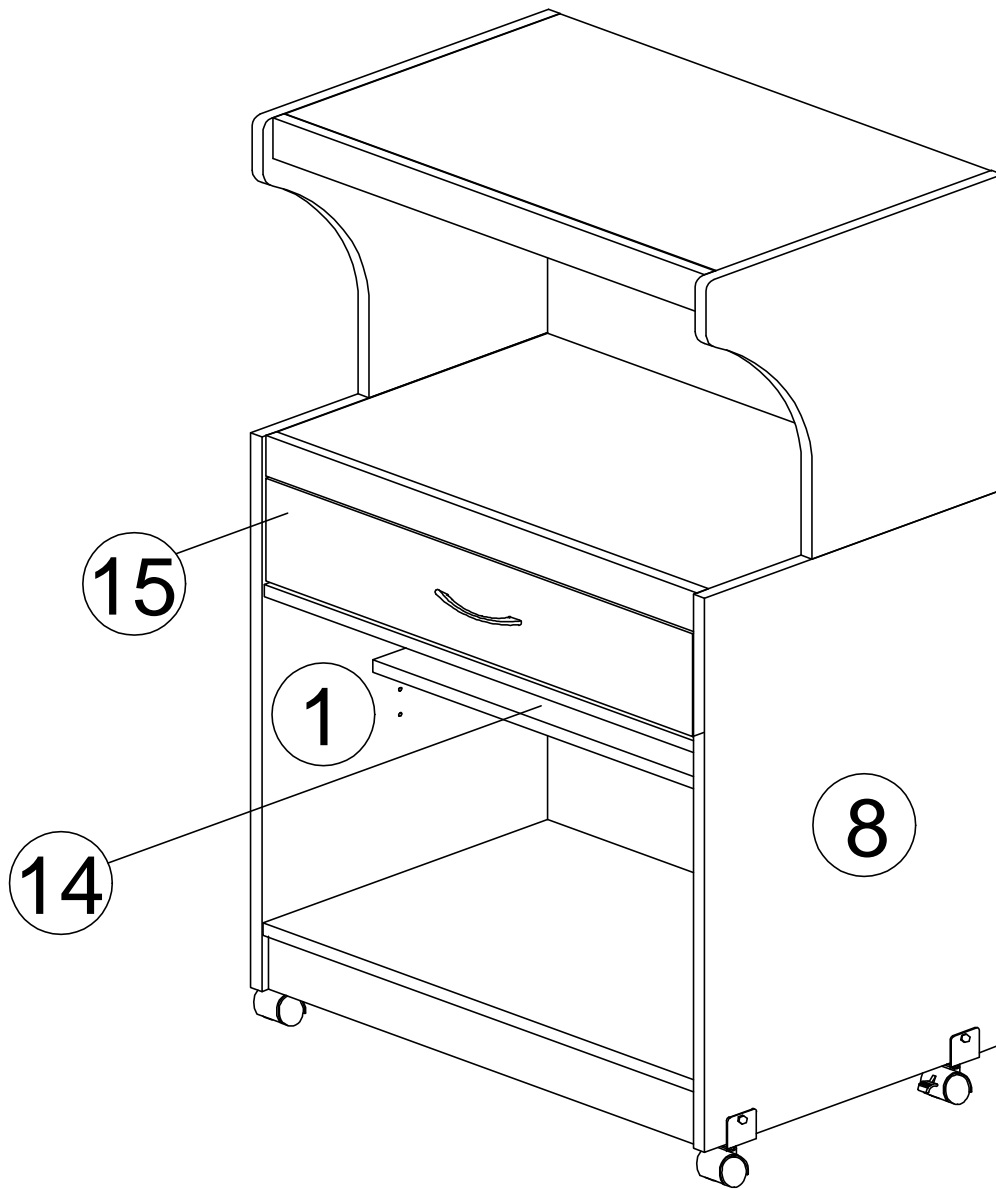
H		NAIL 5/8	27
---	---	----------	----



1. At face down position, place panel (**5 & 10**) onto the back of main unit, and align it properly for nailing. Use hammer to nail 27 x nails (**H**) one by one at the line drawer and center of 4 side edges. Gap between 2 nails is about 100mm for all.

# HODEDAH®

## Step 16

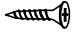



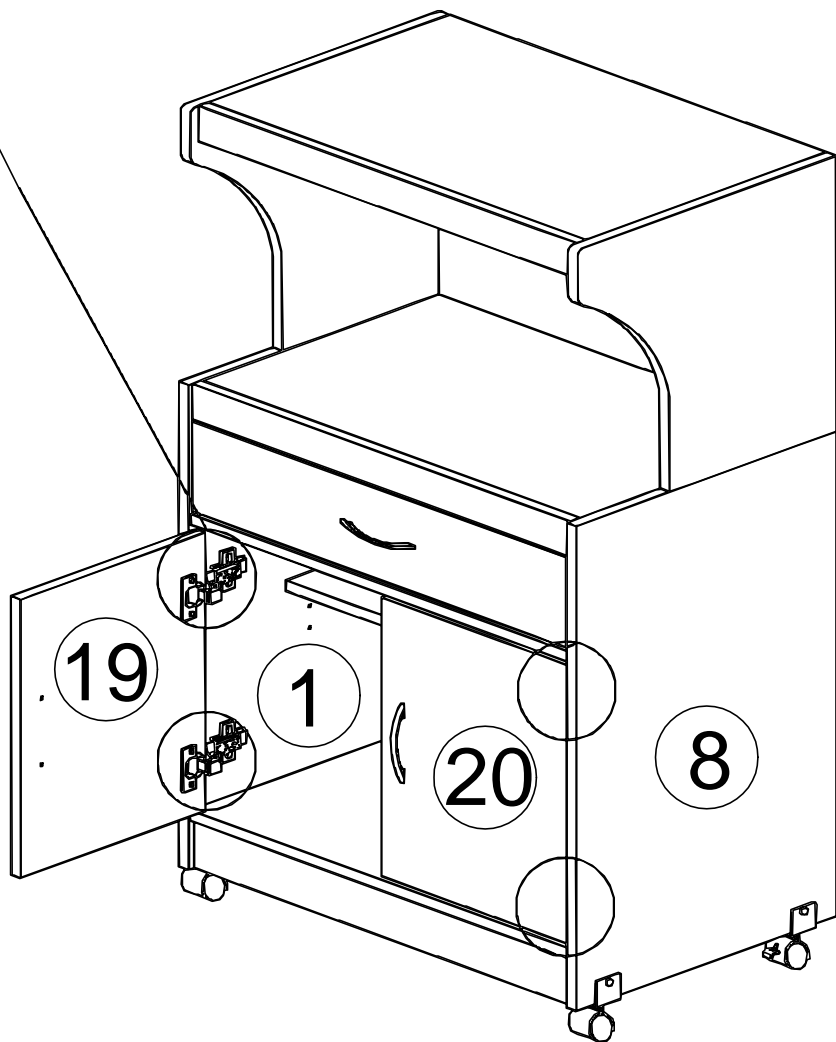
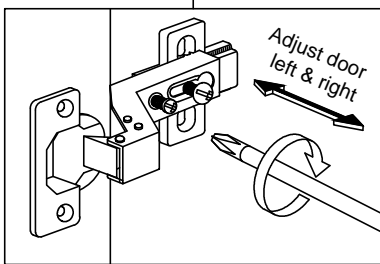
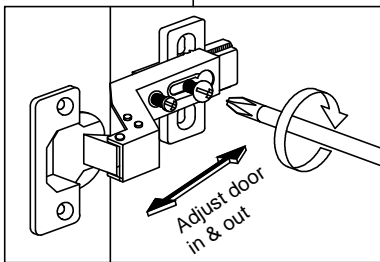
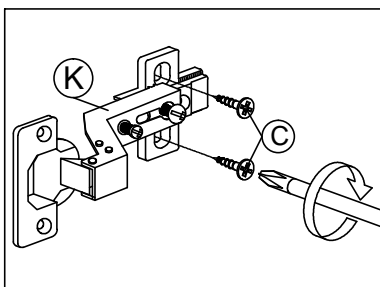
1. Slide in the drawer by slotting the rollers at each end of drawer slide (**M2**) onto the rail of drawer slide (**M1**) fixed at side panel (**1 & 8**) and slide the drawer in slowly. Then take the panel (**14**) and place it on the 4 shelf supports top sides.

# HODEDAH®

## Step 17

### Final step...

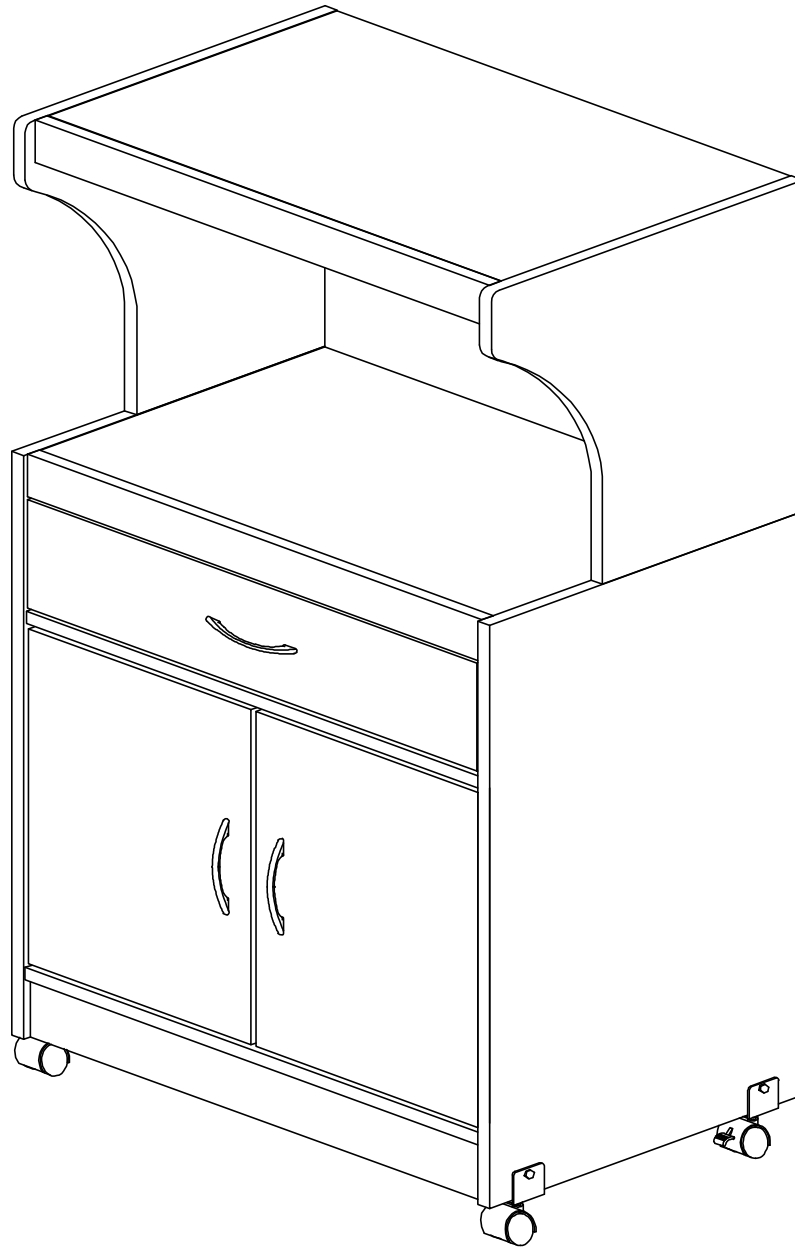
C		CB SCREW M3.5X12MM	8
K		HINGES 7/8	4



1. Fix hinges (**K**) into panels (**1 & 8**)'s non-thru holes as shown, then tighten 8 x cb screws M3.5x12mm (**C**) through hinges (**K**) thru hole.

# HODEDAH®

## Job Complete...



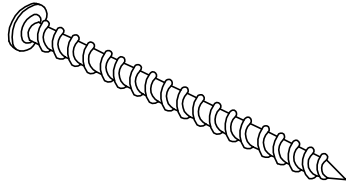
Enjoy & Thank you for purchasing from Hodedah!



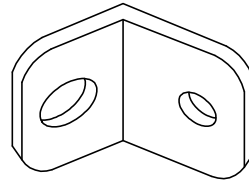
# HODEDAH®

## Installation of Anti-Tip Restraint

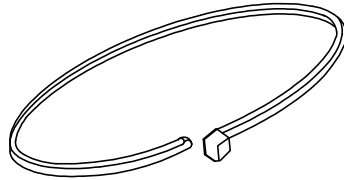
Kit includes:



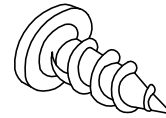
**A (x2)**  
Long screw



**B (x4)**  
Mounting bracket



**C (x2)**  
Restraint strap



**D (x2)**  
Short screw



## WARNING



**Serious or fatal crushing injuries can occur from furniture tip-over. To help Prevent tip-over:**

- Install tip-over restraint provided
- Place heaviest items in the lower drawers
- Do not set TV's or other heavy objects on top of this product
- Never allow children to climb or hang on drawers, doors or shelves
- Never open more than one drawer at a time
- Do not defeat or remove the drawer interlock system

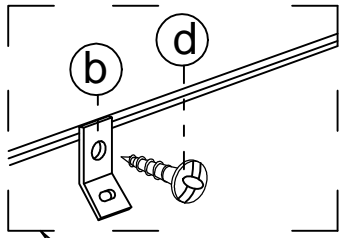
**Use tip-over restraints may only reduce but not eliminate the risk of tip-over.**

**IMPORTANT:** Use of this safety kit is mandatory. This restraint is not a substitute for proper adult supervision. Failure to detach this restraint before moving furniture may result in injury and damage. **If the safety kit is not in the box, please contact our consumer service team at Tel. 1 (718) 456 0505 or Email [Support@Hodedah.com](mailto:Support@Hodedah.com) in order to obtain one before using the furniture.**

## FITTING OF ANTI-TIP SAFETY STRAP

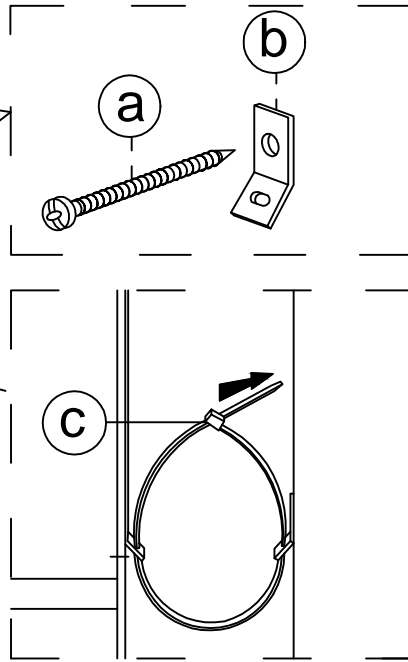
### STEP 1:

- Attach the mounting bracket (b) to the furniture in the solid part below the top panel a few inches away from the side of the unit.
- Screw (d) through the smallest hole of (b).



### STEP 2:

- Locate a stud in behind the have to
- Place the other mounting bracket (b) on the wall stud 2 inches below the mounting bracket secured to the back of your unit.
- Attach to the wall stud using (c) through the smaller hole of (b).



### STEP 3:

- Repeat the same step a few inches away from the other side of the unit.
- Place the furniture into position so both mounting brackets are vertically in line.
- Lace the end of the restraint strap through the larger holes in each mounting bracket.
- Secure the straps and lock into place.

