

HODEDAH®

Assembly Instructions

This instruction booklet contains important safety information, please read and keep for future reference.

ITEM # HIK 69-T (MOP)

KITCHEN ISLAND



2 people



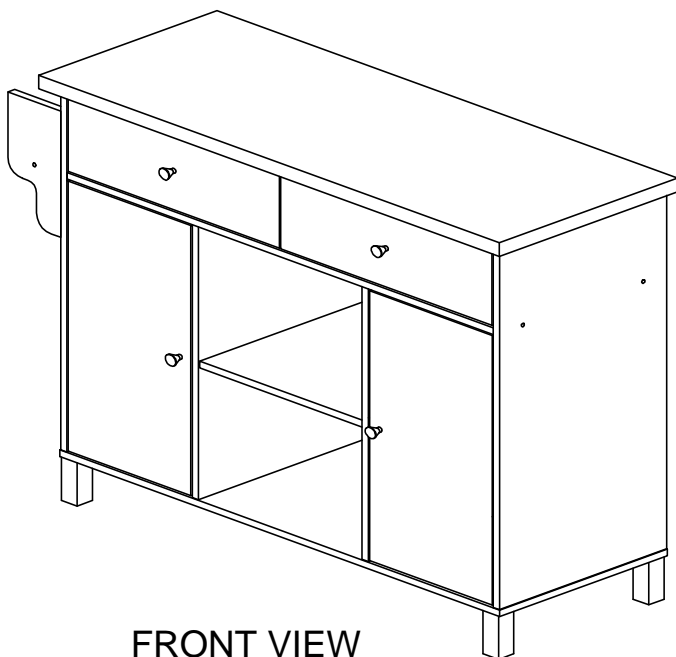
70 mins



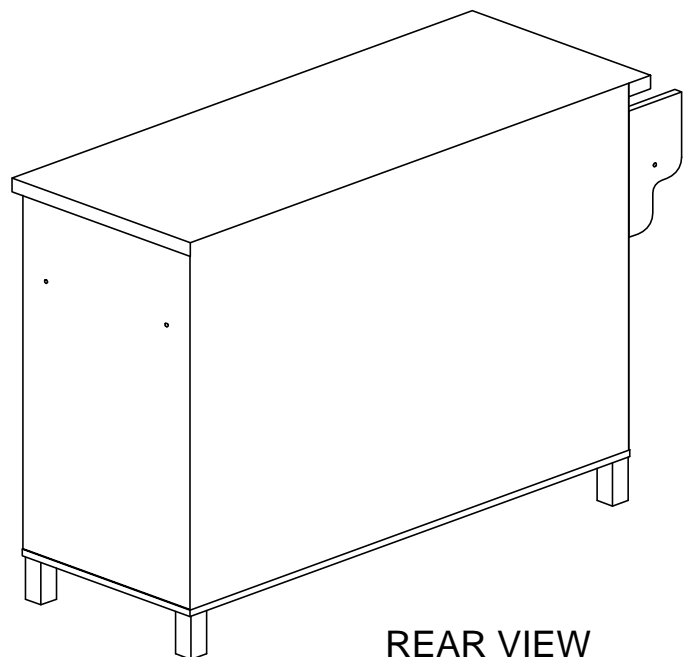
1 YR LTD



1 Box



FRONT VIEW



REAR VIEW

Product Dimensions : Height 37" x Width 45.7" x Depth 17.6"

HODEDAH®

Questions, need parts, we are here to help!



Phone

Mon - Fri | 9:30am to 5pm EST

1 - 855 - HODEDAH

1 - 855 - 463 - 3324



Email

Send us an email

Support@Hodedah.com



Website

Visit our website to open a case

www.Hodedah.com

FOR PROMPT, RELIABLE SERVICE PLEASE HAVE YOUR INSTRUCTION MANUAL READY



DO NOT RETURN PRODUCT TO THE STORE

If parts are missing or damaged please contact our customer service team and we will gladly ship your replacement parts FREE of charge within ONE YEAR of purchase!

WARRANTY

Hodedah warrants this product to be free from defect in materials and workmanship and agrees to remedy and such defect. This warranty covers one year from the date of original purchase. This is solely limited to replacement of defective parts and no assembly for labor is included. This warranty does not apply to any product that has been improperly assembled, subjected to misuse, abuse or which has been altered or repaired in any way. To obtain warranty service, original purchaser must present the following; original bill of sale, date of purchase, where the product was purchased and images if applicable. Components replaced warranted through the remainder of the original warranty only. The defective part will be replaced without charge, subject to the terms and conditions described above.

WARNING

- This product contains small parts, keep away from children.
- This product contains plastic bags, keep away from children.
- Serious or fatal crushing injuries can occur from furniture tip-over. To help prevent this, place heaviest items on the lower shelves and drawers. Do not set heavy object on top shelves and drawers.
- Never allow children to climb or hang on drawers, shelves and doors.
- Never open more than one drawer at a time.
- The use of tip-over restraints may reduce but not eliminate the risk of tip-over.

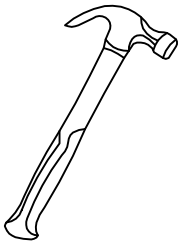
HODEDAH®

Let's get started...

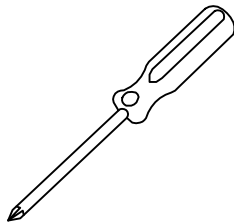
Helpful hints, read before beginning assembly

- Make sure you receive all boxes. if your item is packed in one box, box count will read 1 of 1, likewise if your item is packed in two boxes, box count will read 1 of 2 and second box will read 2 of 2.
- Read each step carefully. It is very important that each step is performed in the correct order. If these steps are not followed in sequence, assembly difficulties will occur.
- Work in a spacious level area, preferably carpet, near the place the unit will be used.
- **DO NO USE** power tools to assemble your furniture, it will strip and damage parts.
- Your package should include the following hardware and parts. Parts are labeled or stamped on the raw edge. Please inspect contents to ensure you have received all components. **If you are missing any hardware or parts please contact customer service right away before assembly.**

Assembly Tools Required (not supplied)



Hammer



Philips Screwdriver



Tape Measure



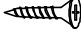
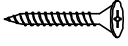
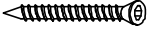






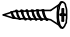

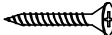
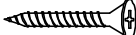
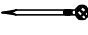
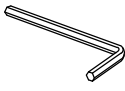


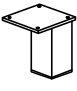
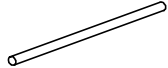


No Power Tools Needed

Product Care and Maintenance

- Wipe clean with dry soft cloth, never use chemicals or cleaning products they will damage the finish.
- Avoid placing your furniture in direct sunlight, as sunlight causes fading.
- Never push, drag or pull your furniture, to move to a new location carefully with two or more people carry the unit to its new location.
- Avoid extreme changes in temperature by arranging furniture away from radiators, heat and air vents and air conditioning units.




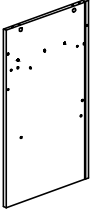
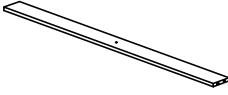

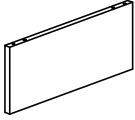
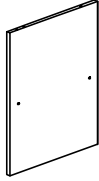


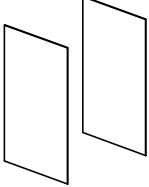
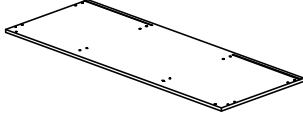
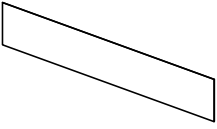
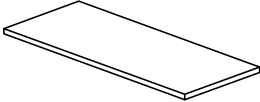
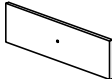
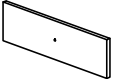

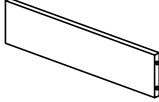
Hardware List

A  M8X25MM	QTY 32 Pcs	B  Shelf Support	QTY 12 Pcs	C  M3.5X16MM	QTY 48 Pcs
D  M4X38MM	QTY 16 Pcs	E  M6X50MM	QTY 24 Pcs	F  Door Support Spring	QTY 4 Pcs
G1  Minifix Nut	QTY 6 Pcs	G2  Minifix Bolt	QTY 6 Pcs	G3  Minifix Cap	QTY 16 Pcs
I1  3.5kg Magnet (1 Hole)	QTY 2 Pcs	I2  Metal Piece	QTY 2 Pcs	I3  M3X12MM	QTY 2 Pcs
J1  Handle 311 KNOB	QTY 4 Pcs	J2  M4X25MM	QTY 2 Pcs	J3  M4X45MM	QTY 2 Pcs
K  Nail 5/8	QTY 24 Pcs	L  Allen Key	QTY 1 Pcs	M1  Drawer Slide 12"	QTY 4 Pcs
M2  Drawer Slide 12"	QTY 4 Pcs	N  38100 PVC Leg	QTY 6 Pcs	O  Chrome Pipe	QTY 2 Pcs

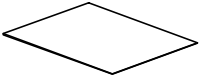
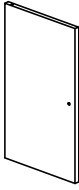
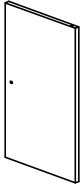
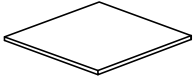
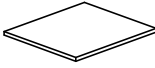
Important

1. Before you throw the package, please use the Check Box to identify the parts and hardware to ensure that you have everything you need.
2. Check and measure the bolts before applying them to parts.
3. Do not completely tighten all hardware until the entire assembly is complete, unless indicated otherwise.

Parts List

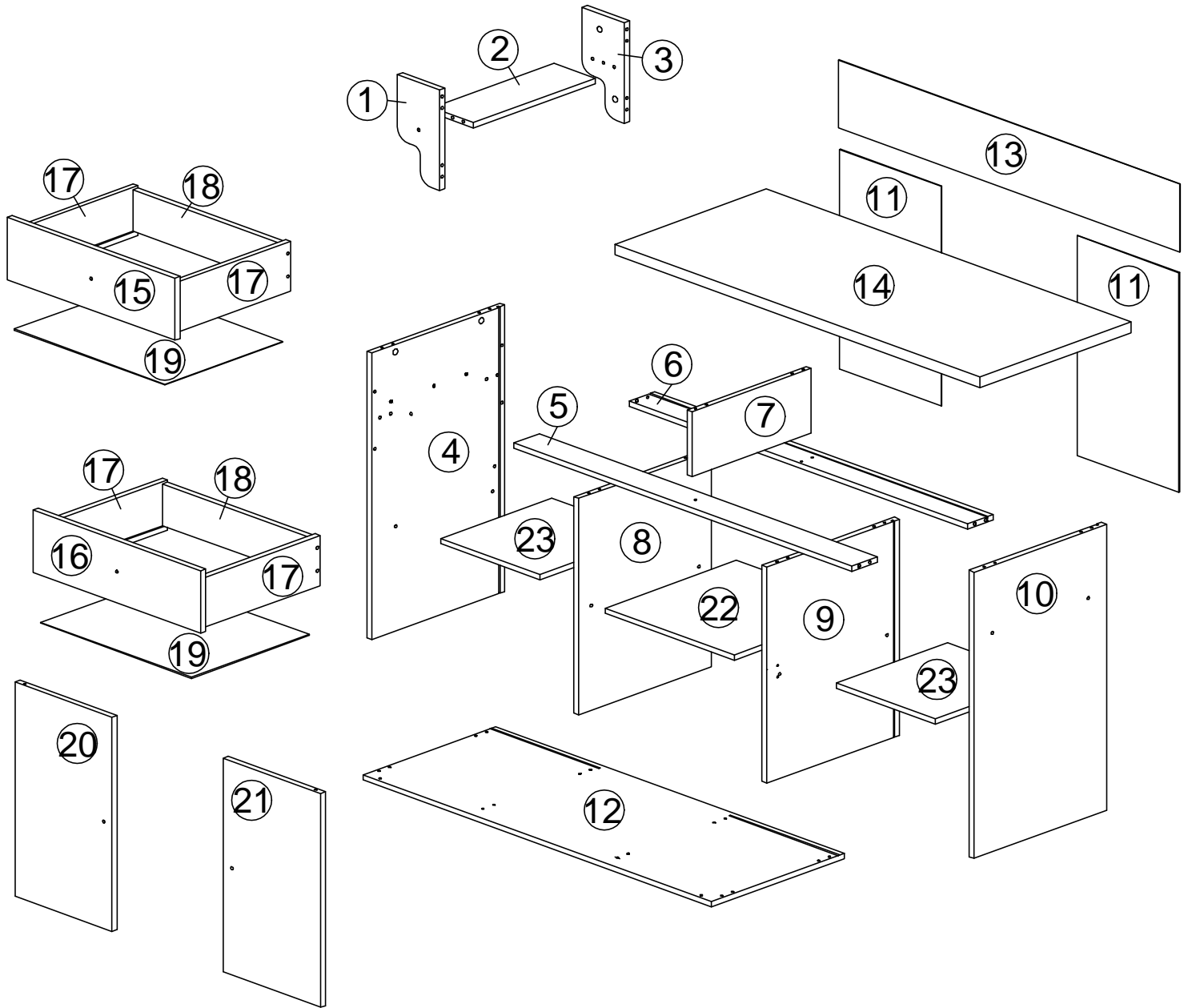
1  280x123x15mm	QTY 1 Pcs	2  390x120x15mm	QTY 1 Pcs	3  280x123x15mm	QTY 1 Pcs
4  798x424x15mm	QTY 1 Pcs	5  1000x90x15mm	QTY 1 Pcs	6  1000x90x15mm	QTY 1 Pcs
7  180x384x15mm	QTY 1 Pcs	8  602x424x15mm	QTY 1 Pcs	9  602x424x15mm	QTY 1 Pcs
10  798x424x15mm	QTY 1 Pcs	11  612x303x2.5mm	QTY 2 Pcs	12  1034x425x15mm	QTY 1 Pcs
13  1010x190x2.5mm	QTY 1 Pcs	14  1085x445x30mm	QTY 1 Pcs	15  495x171x15mm	QTY 1 Pcs
16  495x171x15mm	QTY 1 Pcs	17  300x114x15mm	QTY 4 Pcs	18  434x114x15mm	QTY 2 Pcs

Parts List

19  444x280x2.5mm	QTY 2 Pcs	20  596x285x15mm	QTY 1 Pcs	21  596x285x15mm	QTY 1 Pcs
22  383x422x15mm	QTY 1 Pcs	23  293x384x15mm	QTY 2 Pcs		

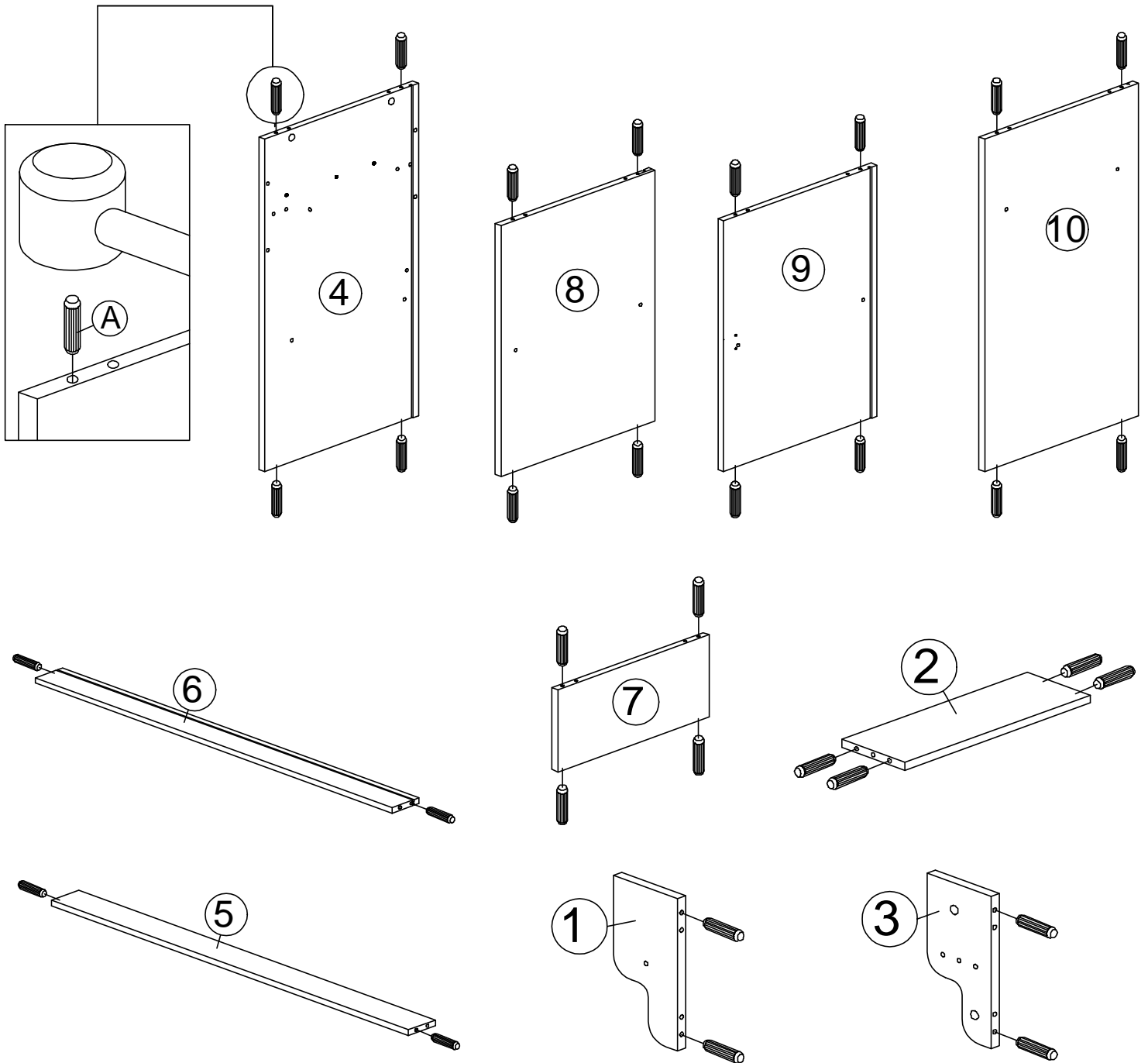
HODEDAH®

The Breakdown...



Step 1

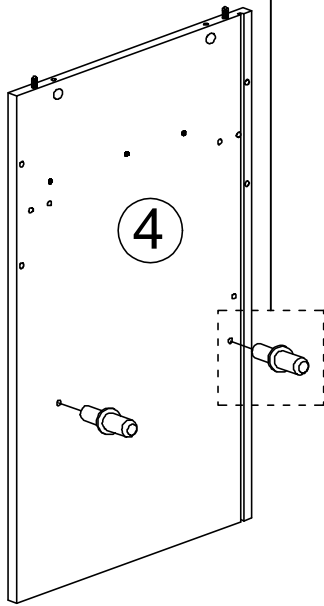
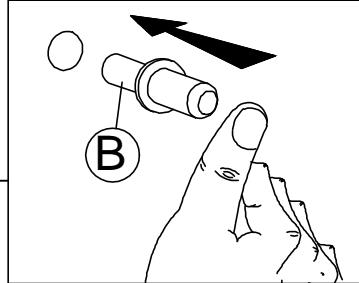
A	 WOOD DOWEL M8x25MM	32
---	--	----



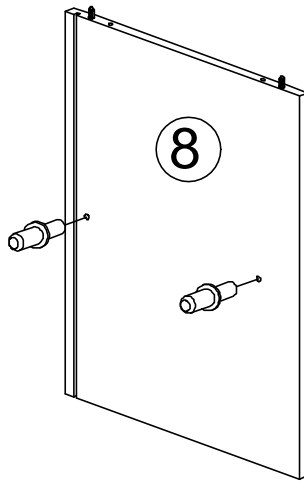
1. Insert 32 x wood dowels (A) into panels (1,2,3,4,5,6,7,8,9 & 10).

Step 2

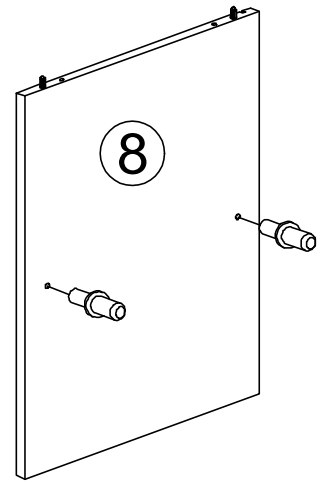
B	 SHELF SUPPORT	12
---	---	----



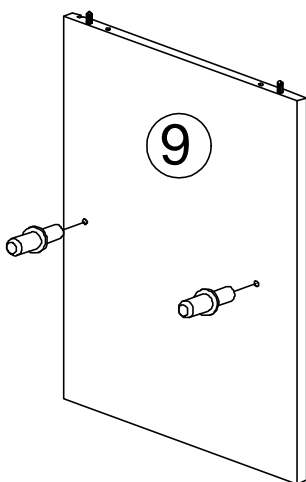
RIGHT VIEW



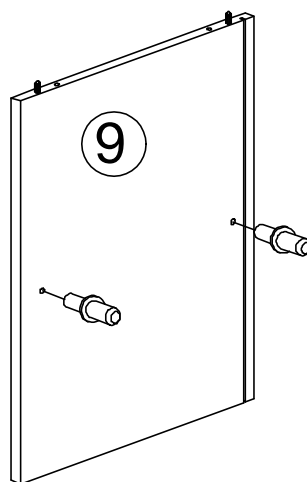
LEFT VIEW



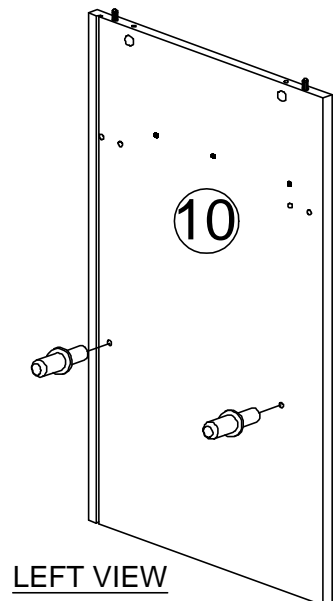
RIGHT VIEW



LEFT VIEW



RIGHT VIEW

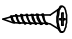





LEFT VIEW

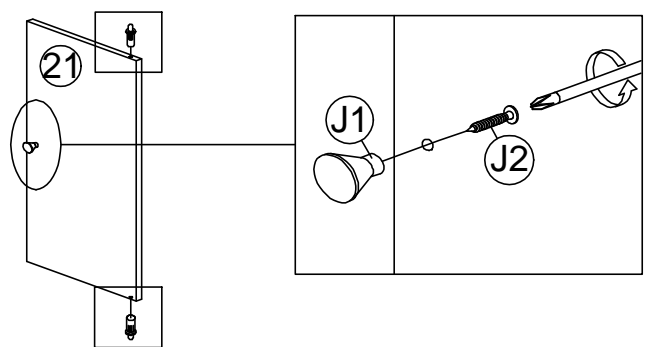
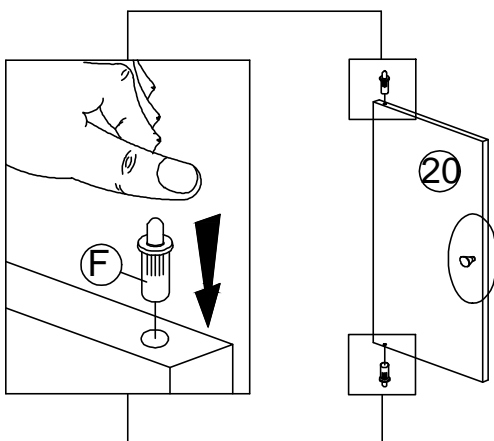
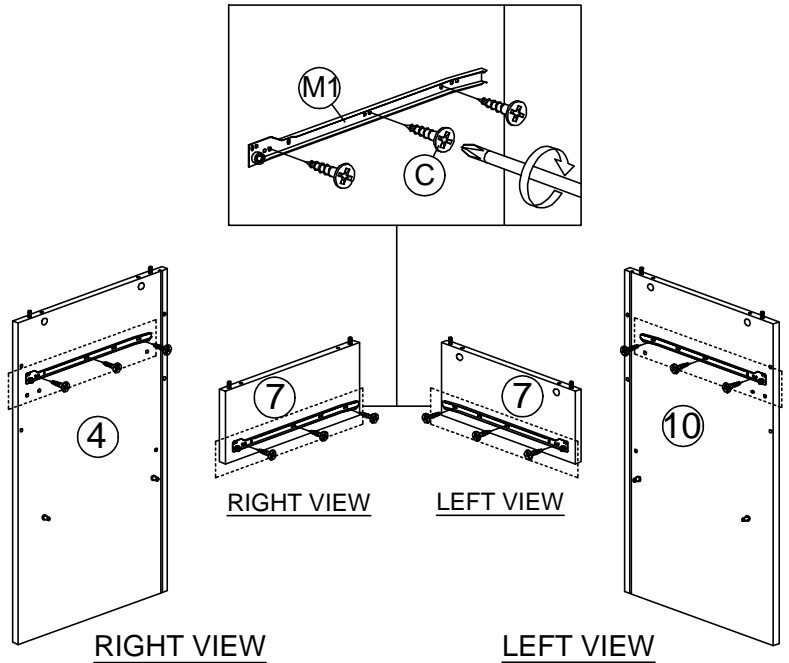
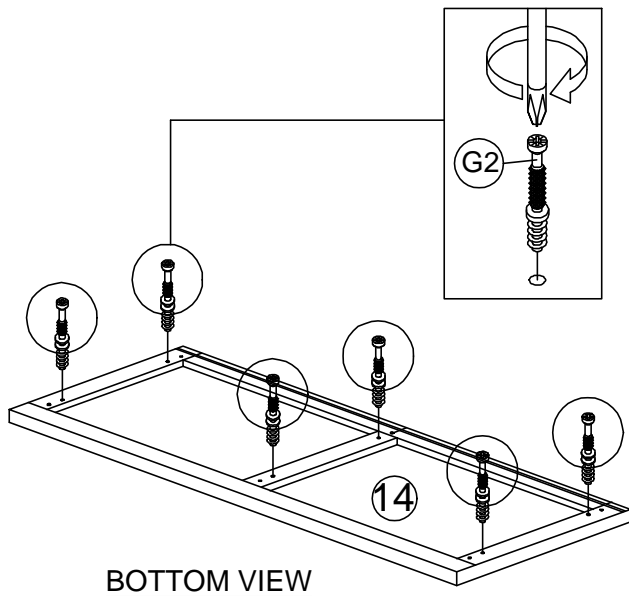
1. Insert 12 x Shelf support (**B**) into panels (**4,8,9 & 10**).

HODEDAH®

Step 3

C		CB SCREW M3.5X16MM	12
F		DOOR SUPPORT SPRING	4
G2		MINIFIX BOLT	6

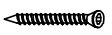


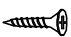
J1		HANDLE 311 KNOB	2
J2		CB SCREW M4X25MM	2
M1		DRAWER SLIDE 12"	4



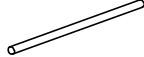


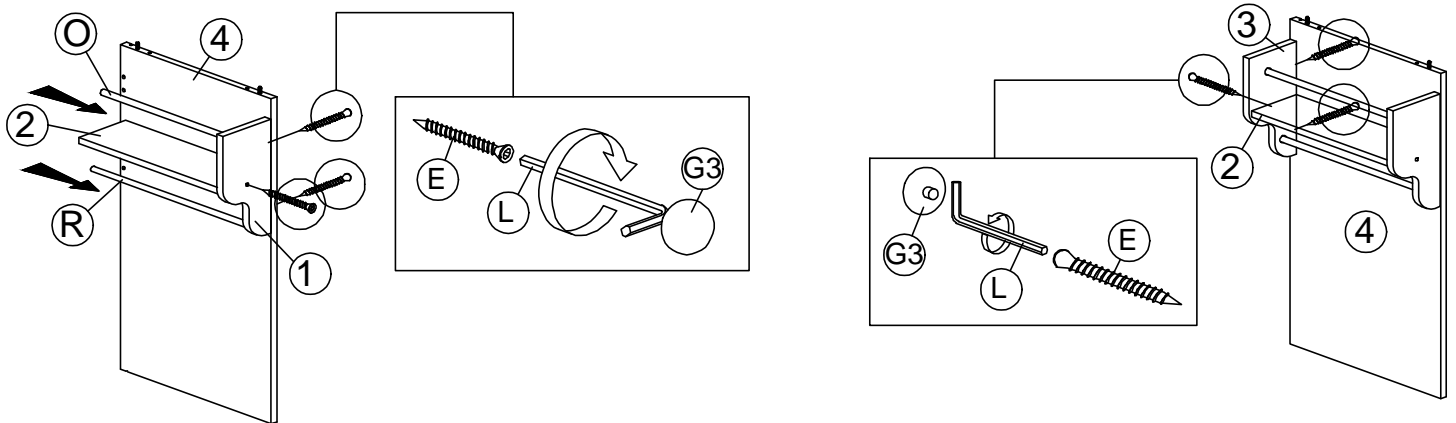
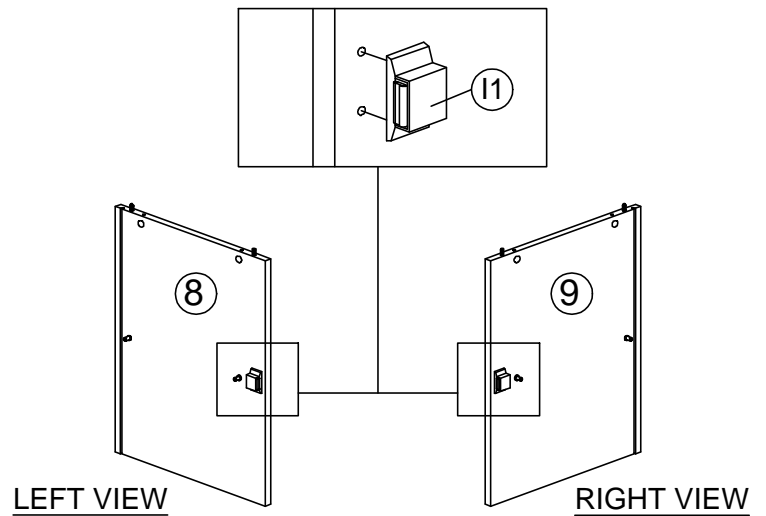
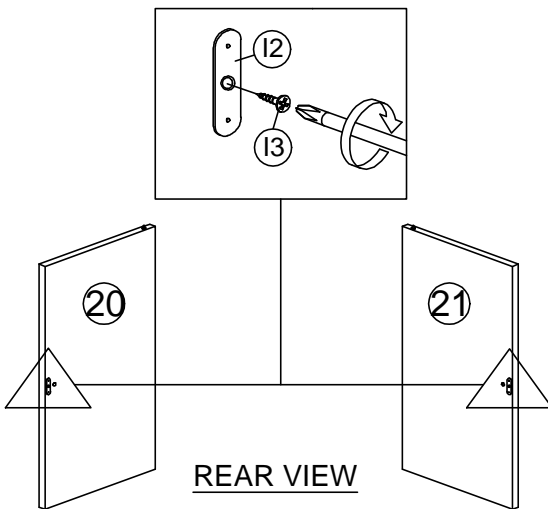
1. Insert 6 x minifix bolt (**G2**) into panel (**14**) bottom side.
2. Assemble 4 x drawer slide (**M1**) to panel (**4, 7 & 10**) by using 12 x cb screws M3.5x16mm (**C**).
3. Insert 4 x door support spring (**F**) into panel (**20 & 21**) top side and bottom side.
4. Attach 2 x Handle (**J1**) to panel (**20 & 21**) front by using 2 x cb screws M4x25mm (**J2**).

HODEDAH®

Step 4

E		CSK CAP WOOD M6X50MM	6
I2		METAL PIECE	2
I1		3.5KG MAGNET (1 HOLE)	2
I3		CB SCREW M3X12MM	2



G3		MINIFIX CAP	6
L		ALLEN KEY	1
O		CHROME PIPE	2



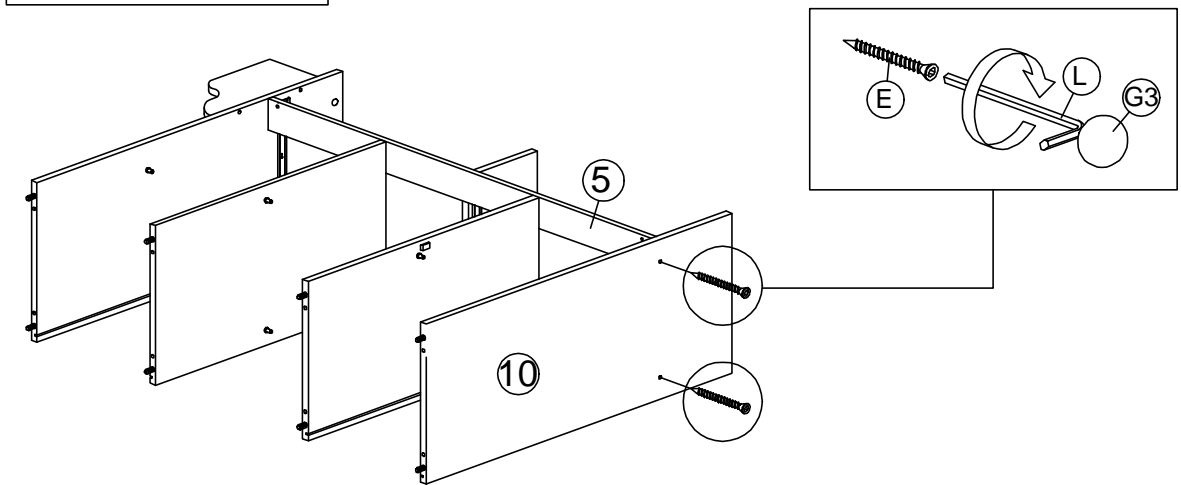
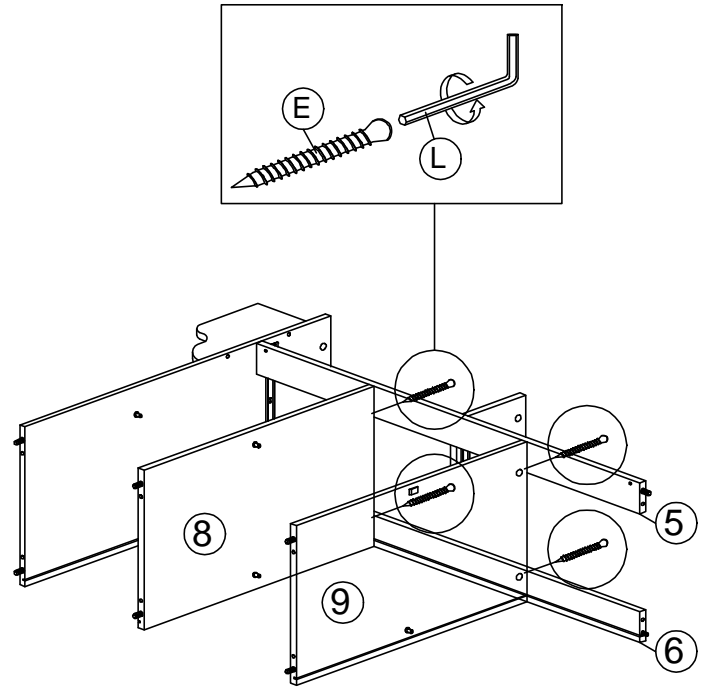
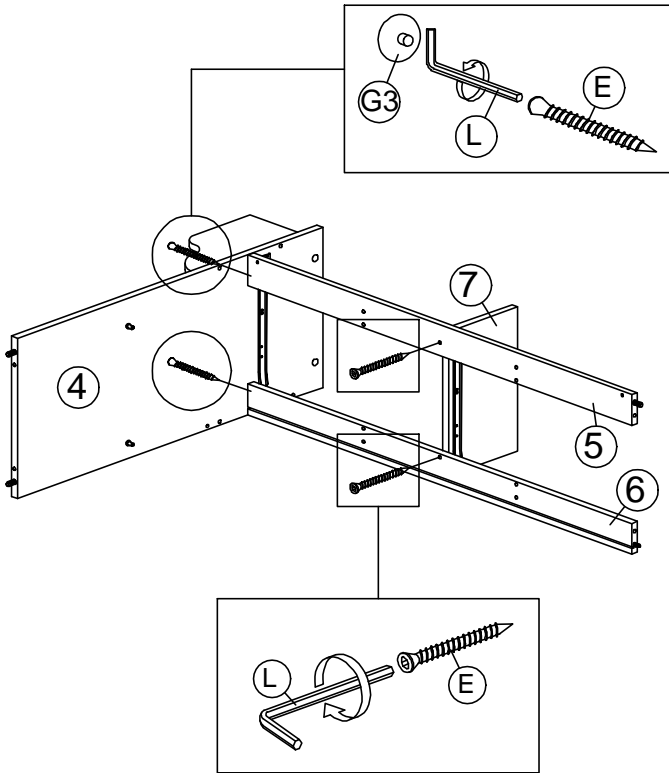
1. Fix 2 x magnet piece (I2) to panel (20 & 21) back side by using 2 x cb screws M3x12mm (I3).
2. Insert 2 x magnet (I1) to panel (8 & 9) by using plastic hammer.
3. Attach panel (1) to panel (4) by using 2 x csk M6x50mm (E) with allen key (L). After that, insert 2 x Cap (G3).
4. Attach panel (2) to panel (1) by using 1 x csk M6x50mm (E) with allen key (L). After that, insert 1 x Cap (G3).
5. Slot 2 x chrome pipe (O) into panel (1).
6. Attach panel (3) to panel (2 & 4) by using 3 x csk M6x50mm (E) with allen key (L). After that, insert 3 x Cap (G3).

HODEDAH®

Step 5

E		CSK CAP WOOD M6X50MM	10
G3		MINIFIX CAP	4

L		ALLEN KEY	1
---	---	-----------	---



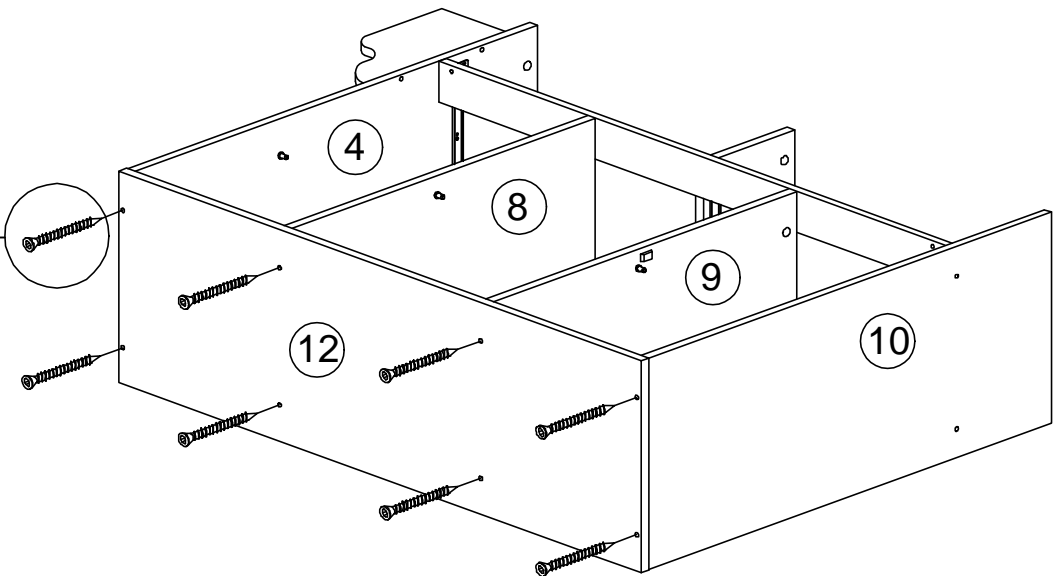
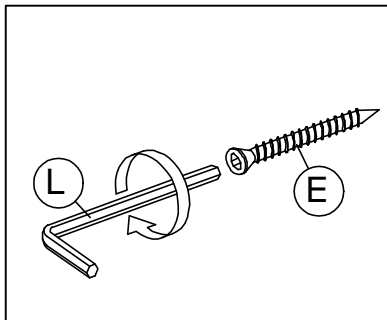
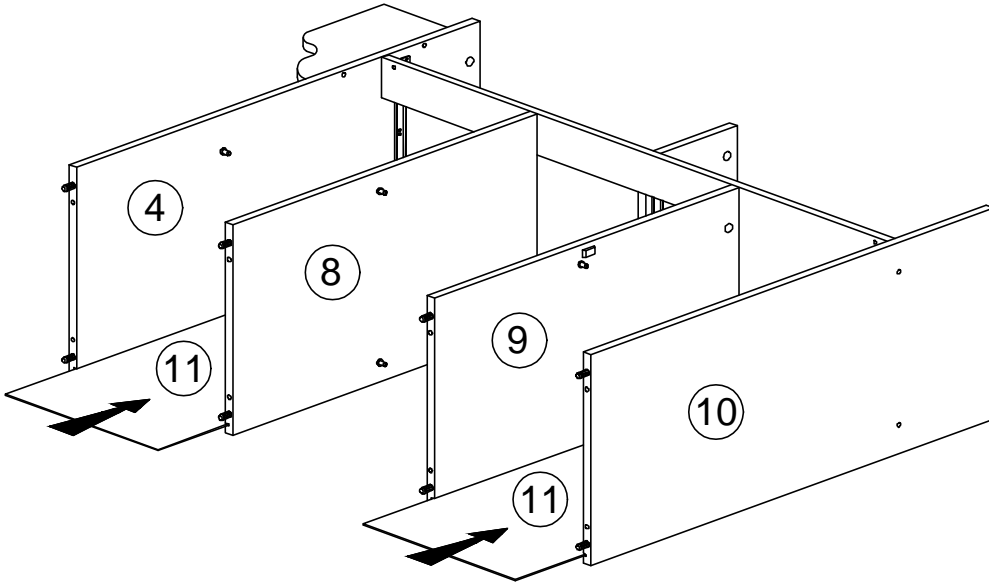
1. Attach panel (5 & 6) to panel (4) by using 2 x csk M6x50mm (E) with allen key (L). After that, insert 2 x cap (G3).
2. Attach panel (7) to panel (5 & 6) by using 2 x csk M6x50mm (E) with allen key (L).
3. Attach panel (8 & 9) to panel (5 & 6) by using 4 x csk M6x50mm (E) with allen key (L).
4. Attach panel (10) to panel (5 & 6) by using 2 x csk M6x50mm (E) with allen key (L). After that, insert 2 x cap (G3).

HODEDAH®

Step 6

E		CSK CAP WOOD M6X50MM	8
---	---	----------------------	---


L		ALLEN KEY	1
---	---	-----------	---

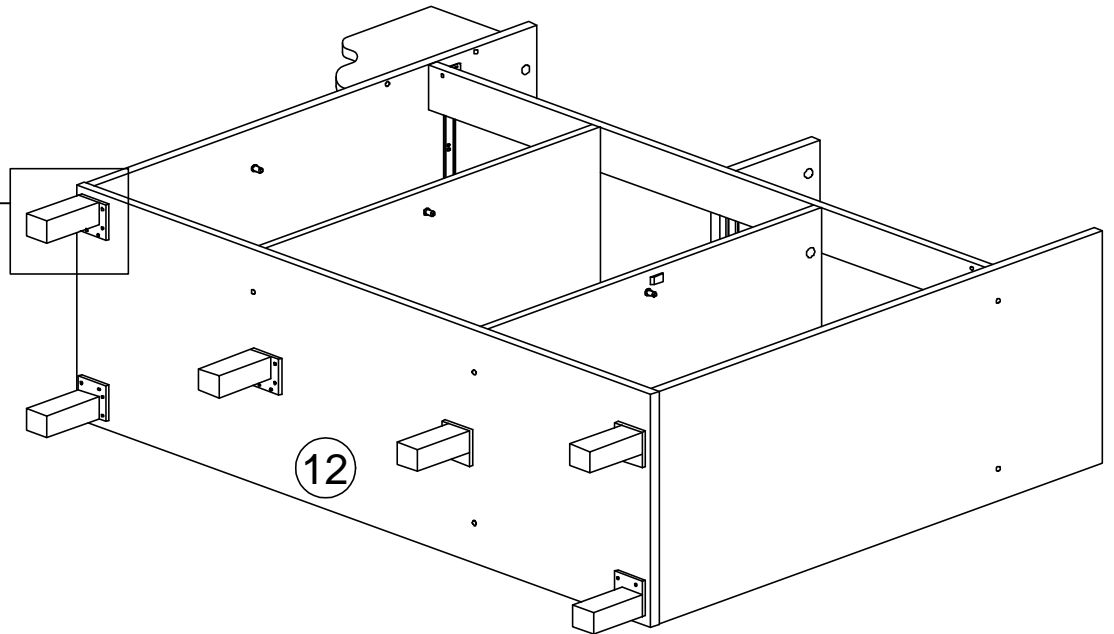
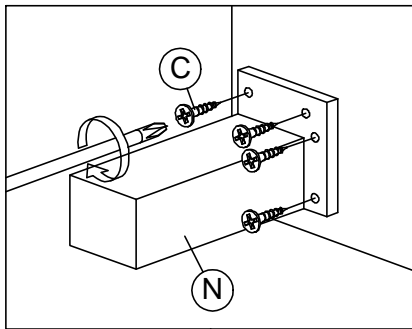


1. Slide 2 x panel (11) into panel (4,8,9 & 10) groove.
2. Attach panel (12) to panel (4,8,9 & 10) by using 8 x csk M6x50mm (E) with allen key (L).

Step 7

C		CB SCREW M3.5X16MM	24
---	---	--------------------	----

N		38100 PVC LEG	6
---	---	---------------	---






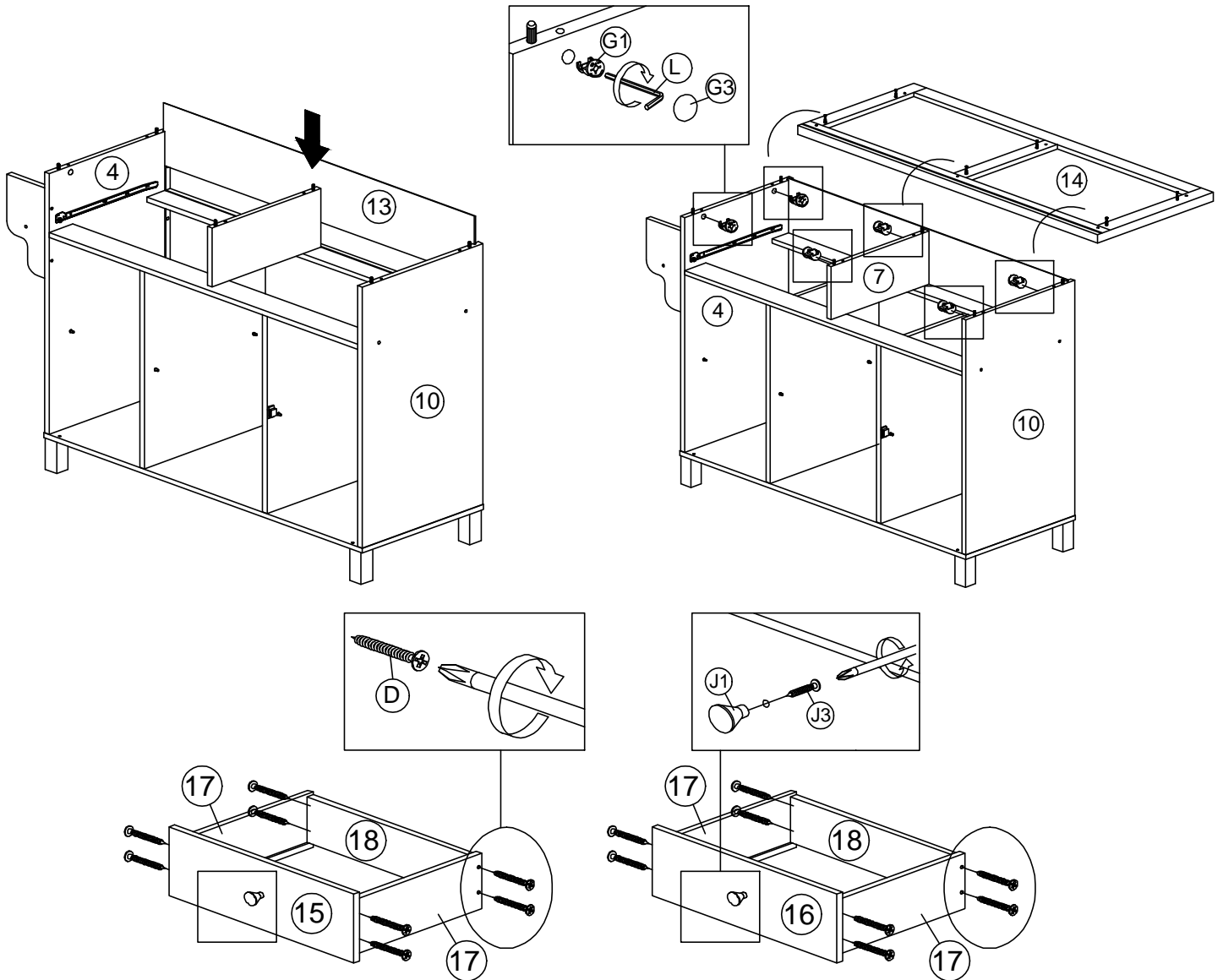
1. Fix 6 x 38100 pvc leg (N) onto panel (12) base by using 24 x cb screws M3.5x16mm (C).

HODEDAH®

Step 8

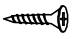

D		CB SCREW M4X38MM	16
G1		MINIFIX NUT	6
G3		MINIFIX CAP	6


J1		HANDLE 311 KNOB	2
J3		CB SCREW M4X45MM	2
L		ALLEN KEY	1



1. Slide 1 x panel (13) into panel (4 & 10) groove.
2. Attach panel (14) to panel (4,7 & 10) by using 6 x minifix nut (G1) with allen key (L). After that, insert 6 x cap (G3).
3. Attach 2 x panel (17) to panel (15 & 18) by using 8 x cb screws M4x38mm (D).
4. Attach 2 x panel (17) to panel (16 & 18) by using 8 x cb screws M4x38mm (D).
5. Fix 2 x handle (J1) to panel (15 & 16) front by using 2 x cb screws M4x45mm (J3) for fix it.

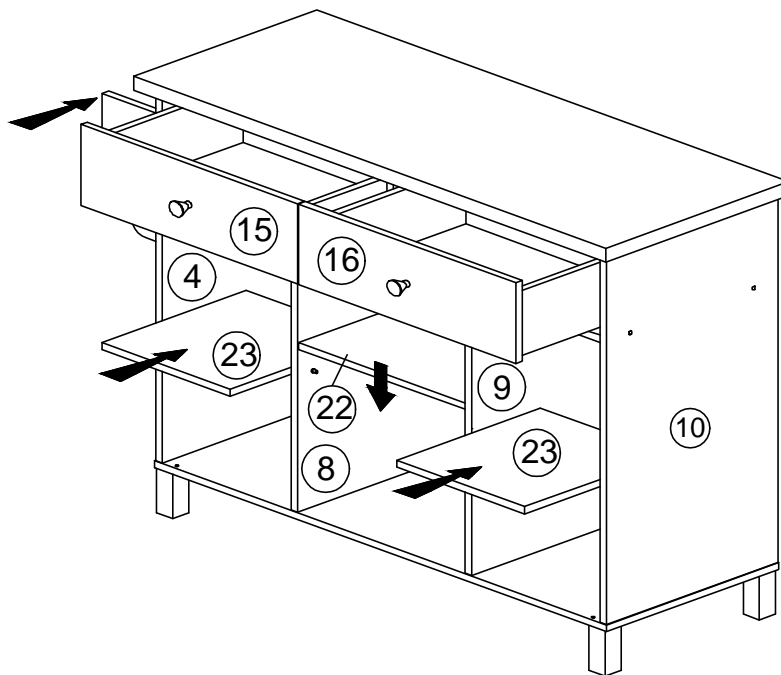
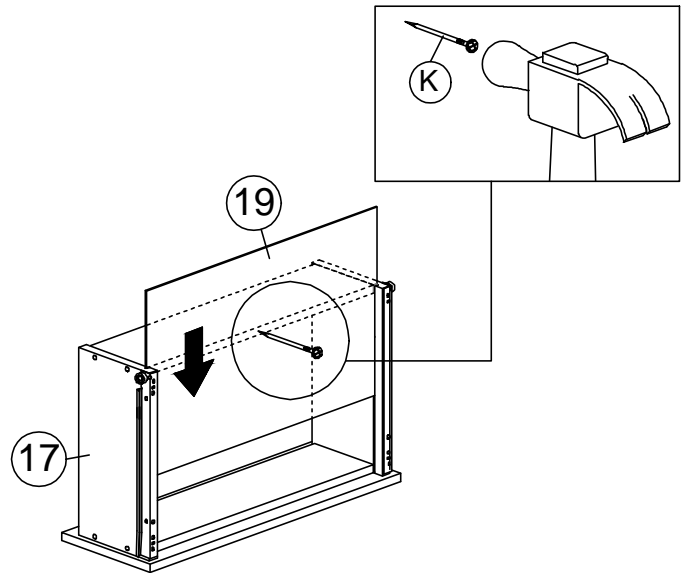
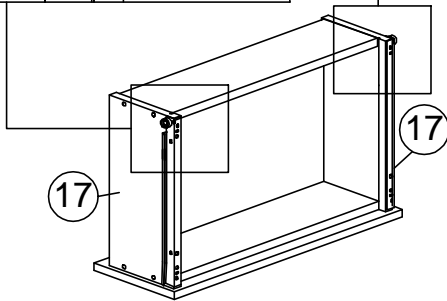
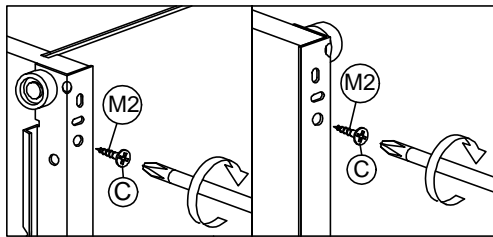
Step 9

C		CB SCREW M3.5X16MM	12
K		NAIL 5/8	24

M2		DRAWER SLIDE 12"	4
----	--	------------------	---

RIGHT VIEW

LEFT VIEW

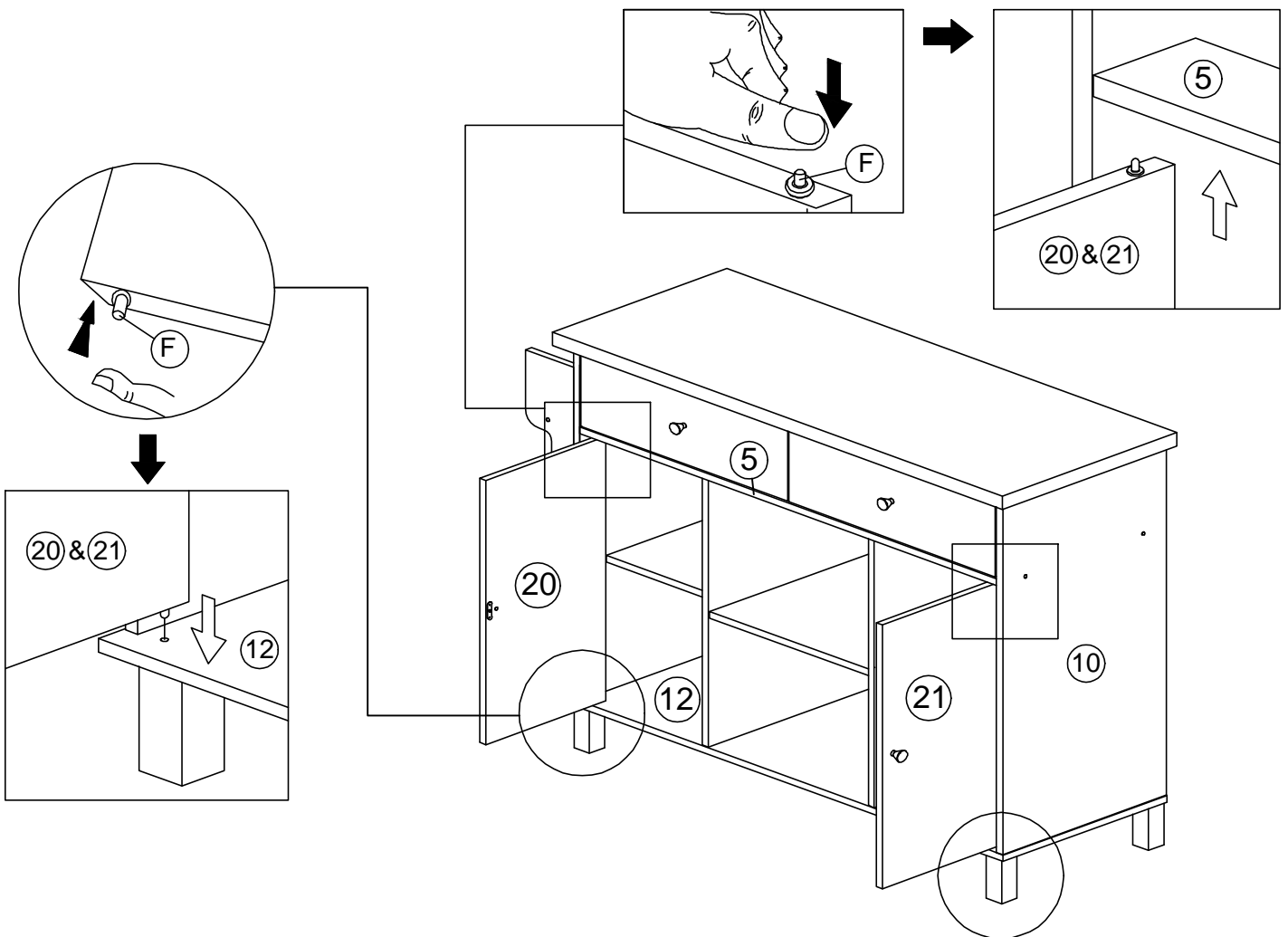


1. Fix 4 x drawer slide 12" (**M2**) into panel (**17**) by using 12 x cb screws M3.5x16mm (**C**).
2. Slide 2 x panel (**19**) into panel (**17**) groove. After that, use 24 x power nail (**K**) for fix it.
3. Slide 2 x drawer box (**15 & 16**) into the drawer slide at the panel (**4,7 & 10**).
4. Place panel (**22**) between panel (**8 & 9**).
5. Slide 2 x panel (**23**) between panel (**4,8,9 & 10**).

HODEDAH®

Step 10

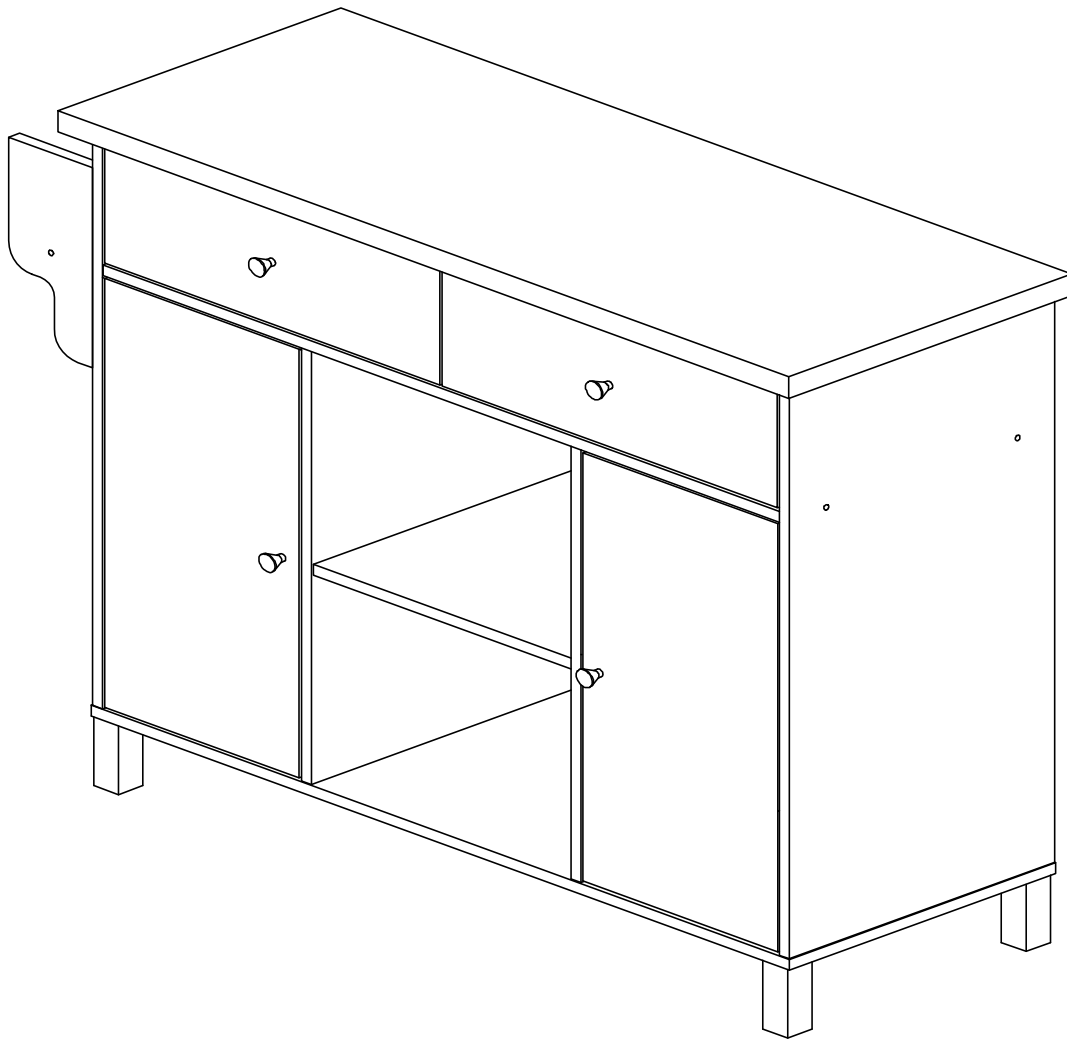
Final step...



1. Press the door support spring (**F**) at panel (**20 & 21**) top side. After that, insert to the hole at panel (**5**).
2. Press the door support spring (**F**) at panel (**20 & 21**) bottom side. After that, insert to the hole at panel (**12**).

HODEDAH®

Job Complete...



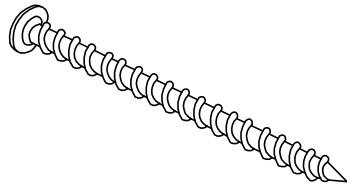
Enjoy & Thank you for purchasing from Hodedah!



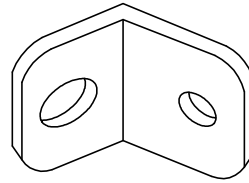
HODEDAH®

Installation of Anti-Tip Restraint

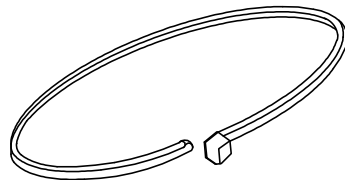
Kit includes:



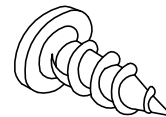
A (x2)
Long screw



B (x4)
Mounting bracket



C (x2)
Restraint strap



D (x2)
Short screw



WARNING



Serious or fatal crushing injuries can occur from furniture tip-over. To help Prevent tip-over:

- Install tip-over restraint provided
- Place heaviest items in the lower drawers
- Do not set TV's or other heavy objects on top of this product
- Never allow children to climb or hang on drawers, doors or shelves
- Never open more than one drawer at a time
- Do not defeat or remove the drawer interlock system

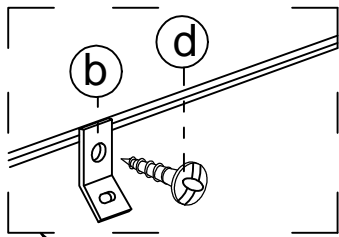
Use tip-over restraints may only reduce but not eliminate the risk of tip-over.

IMPORTANT: Use of this safety kit is mandatory. This restraint is not a substitute for proper adult supervision. Failure to detach this restraint before moving furniture may result in injury and damage. **If the safety kit is not in the box, please contact our consumer service team at Tel. 1 (718) 456 0505 or Email Support@Hodedah.com in order to obtain one before using the furniture.**

FITTING OF ANTI-TIP SAFETY STRAP

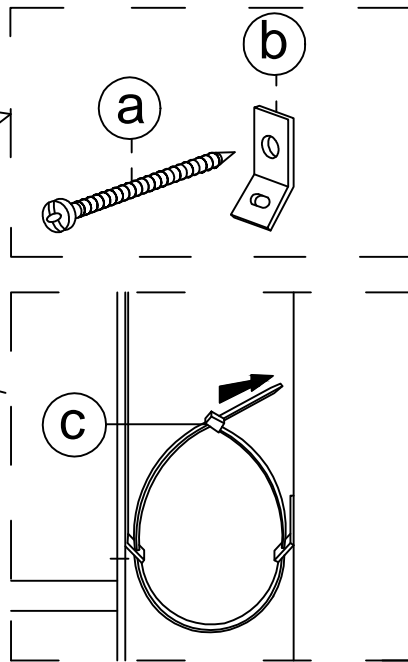
STEP 1:

- Attach the mounting bracket (b) to the furniture in the solid part below the top panel a few inches away from the side of the unit.
- Screw (d) through the smallest hole of (b).



STEP 2:

- Locate a stud in behind the have to
- Place the other mounting bracket (b) on the wall stud 2 inches below the mounting bracket secured to the back of your unit.
- Attach to the wall stud using (c) through the smaller hole of (b).



STEP 3:

- Repeat the same step a few inches away from the other side of the unit.
- Place the furniture into position so both mounting brackets are vertically in line.
- Lace the end of the restraint strap through the larger holes in each mounting bracket.
- Secure the straps and lock into place.

