


HODEDAH®

Assembly Instructions

This instruction booklet contains important safety information, please read and keep for future reference.

ITEM # HIK 65-T (MOP)

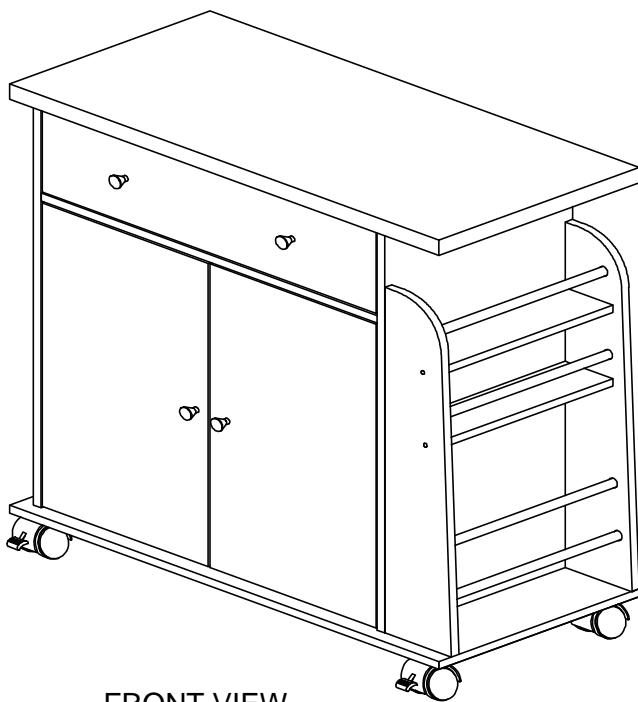
KITCHEN CART

 2 people

 70 mins

 1 YR LTD

 1 Box



FRONT VIEW



REAR VIEW

Product Dimensions : Height 35" x Width 35.4' x Depth 16.5"

HODEDAH®

Questions, need parts, we are here to help!



Phone

Mon - Fri | 9:30am to 5pm EST

1 - 855 - HODEDAH

1 - 855 - 463 - 3324



Email

Send us an email

Support@Hodedah.com



Website

Visit our website to open a case

www.Hodedah.com

FOR PROMPT, RELIABLE SERVICE PLEASE HAVE YOUR INSTRUCTION MANUAL READY



DO NOT RETURN PRODUCT TO THE STORE

If parts are missing or damaged please contact our customer service team and we will gladly ship your replacement parts FREE of charge within ONE YEAR of purchase!

WARRANTY

Hodedah warrants this product to be free from defect in materials and workmanship and agrees to remedy and such defect. This warranty covers one year from the date of original purchase. This is solely limited to replacement of defective parts and no assembly for labor is included. This warranty does not apply to any product that has been improperly assembled, subjected to misuse, abuse or which has been altered or repaired in any way. To obtain warranty service, original purchaser must present the following; original bill of sale, date of purchase, where the product was purchased and images if applicable. Components replaced warranted through the remainder of the original warranty only. The defective part will be replaced without charge, subject to the terms and conditions described above.

WARNING

- This product contains small parts, keep away from children.
- This product contains plastic bags, keep away from children.
- Serious or fatal crushing injuries can occur from furniture tip-over. To help prevent this, place heaviest items on the lower shelves and drawers. Do not set heavy object on top shelves and drawers.
- Never allow children to climb or hang on drawers, shelves and doors.
- Never open more than one drawer at a time.
- The use of tip-over restraints may reduce but not eliminate the risk of tip-over.

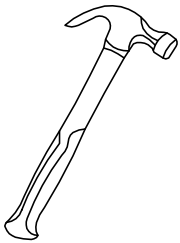
HODEDAH®

Let's get started...

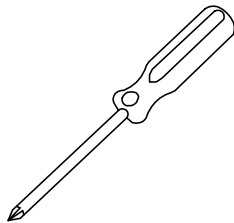
Helpful hints, read before beginning assembly

- Make sure you receive all boxes. if your item is packed in one box, box count will read 1 of 1, likewise if your item is packed in two boxes, box count will read 1 of 2 and second box will read 2 of 2.
- Read each step carefully. It is very important that each step is performed in the correct order. If these steps are not followed in sequence, assembly difficulties will occur.
- Work in a spacious level area, preferably carpet, near the place the unit will be used.
- **DO NO USE** power tools to assemble your furniture, it will strip and damage parts.
- Your package should include the following hardware and parts. Parts are labeled or stamped on the raw edge. Please inspect contents to ensure you have received all components. **If you are missing any hardware or parts please contact customer service right away before assembly.**

Assembly Tools Required (not supplied)



Hammer



Philips Screwdriver



Tape Measure



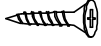

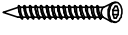
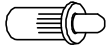





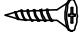

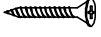
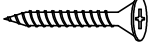
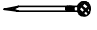




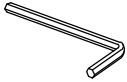


No Power Tools Needed

Product Care and Maintenance

- Wipe clean with dry soft cloth, never use chemicals or cleaning products they will damage the finish.
- Avoid placing your furniture in direct sunlight, as sunlight causes fading.
- Never push, drag or pull your furniture, to move to a new location carefully with two or more people carry the unit to its new location.
- Avoid extreme changes in temperature by arranging furniture away from radiators, heat and air vents and air conditioning units.

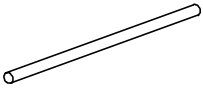
Hardware List

A  M8X25MM	QTY 22 Pcs	B  Shelf Support	 4 Pcs	C  M3.5X16MM	QTY 28 Pcs
D  M4X38MM	QTY 8 Pcs	E  M6X50MM	 16 Pcs	F Door  Support Spring	 4 Pcs
G1  Minifix Nut	 4 Pcs	G2  Minifix Bolt	 4 Pcs	G3  Minifix Cap	 14 Pcs
I1 3.5kg  Magnet (1 Hole)	 2 Pcs	I2  Metal Piece	 2 Pcs	I3  M3X12MM	QTY 2 Pcs
J1 Handle  311 KNOB	 4 Pcs	J2  M4X25MM	 2 Pcs	J3  M4X45MM	 2 Pcs
K  Nail 5/8	 40 Pcs	L1  Drawer Slide 14"	 2 Pcs	L2  Drawer Slide 14"	 2 Pcs
M1 Caster  W/out Stopper	 2 Pcs	M2 Caster  With Stopper	 2 Pcs	N  Allen Key	 1 Pcs

Important

1. Before you throw the package, please use the Check Box to identify the parts and hardware to ensure that you have everything you need.
2. Check and measure the bolts before applying them to parts.
3. Do not completely tighten all hardware until the entire assembly is complete, unless indicated otherwise.

Hardware List

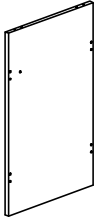



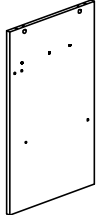
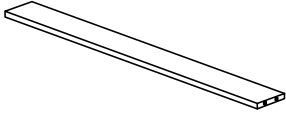
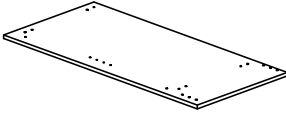
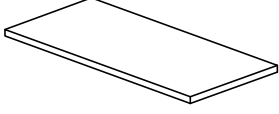
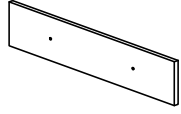
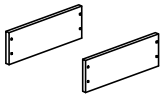

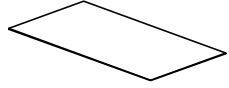
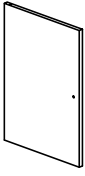
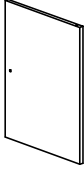
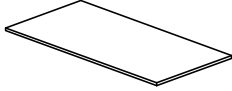
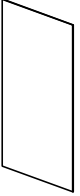

O		QTY
Chrome Pipe		4 Pcs

Important

1. Before you throw the package, please use the Check Box to identify the parts and hardware to ensure that you have everything you need.
2. Check and measure the bolts before applying them to parts.
3. Do not completely tighten all hardware until the entire assembly is complete, unless indicated otherwise.

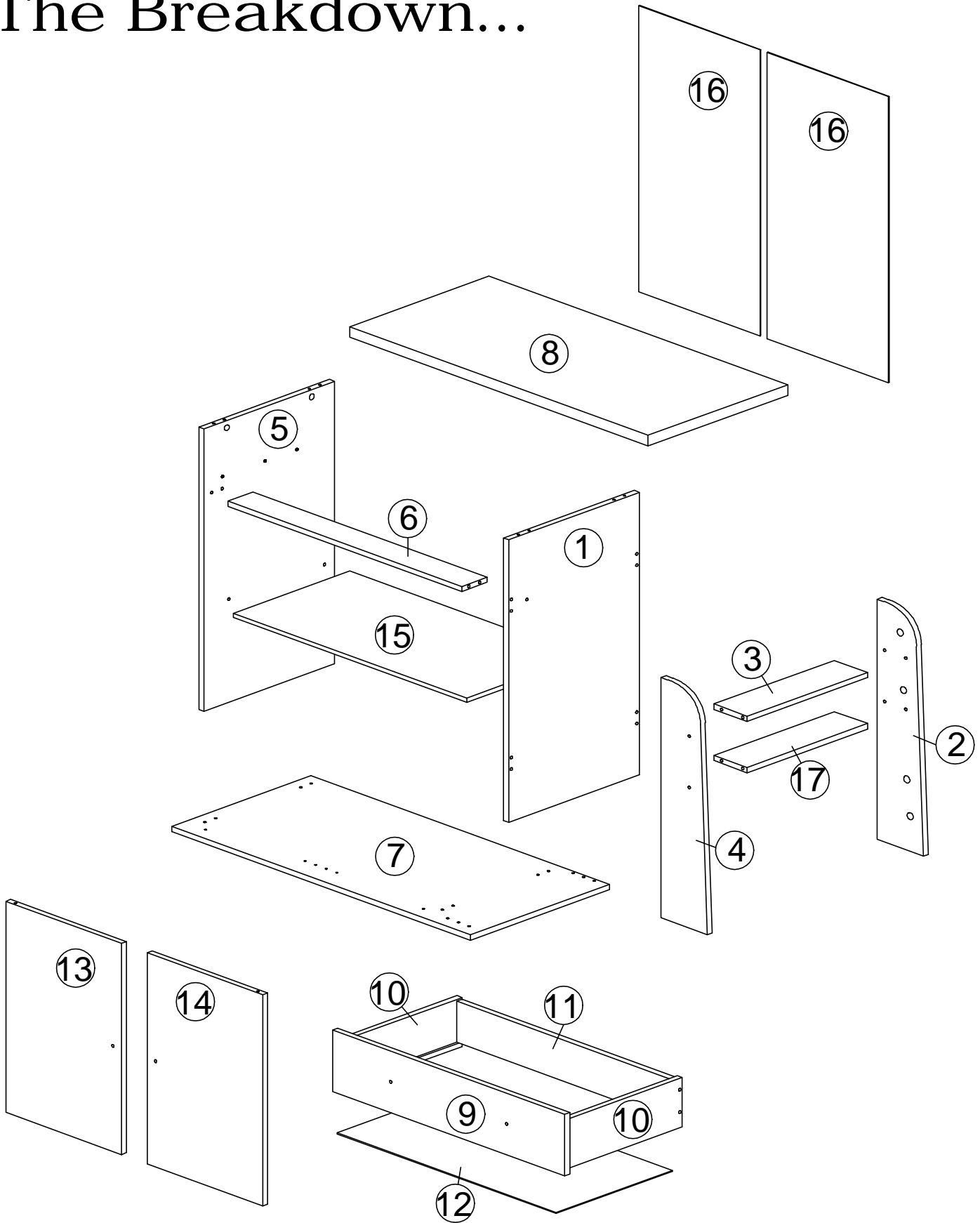
HODEDAH®

Parts List

1  788x376x15mm	QTY 1 Pcs	2  708x150x15mm	QTY 1 Pcs	3  344x100x15mm	QTY 1 Pcs
4  708x150x15mm	QTY 1 Pcs	5  788x376x15mm	QTY 1 Pcs	6  698x90x15mm	QTY 1 Pcs
7  900x396x15mm	QTY 1 Pcs	8  900x420x30mm	QTY 1 Pcs	9  692x163x15mm	QTY 1 Pcs
10  350x114x15mm	QTY 2 Pcs	11  640x114x15mm	QTY 1 Pcs	12  670x350x2.5mm	QTY 1 Pcs
13  594x343x15mm	QTY 1 Pcs	14  594x343x15mm	QTY 1 Pcs	15  698x352x15mm	QTY 1 Pcs
16  830x364x2.5mm	QTY 2 Pcs	17  344x112x15mm	QTY 1 Pcs		



HODEDAH®

The Breakdown...

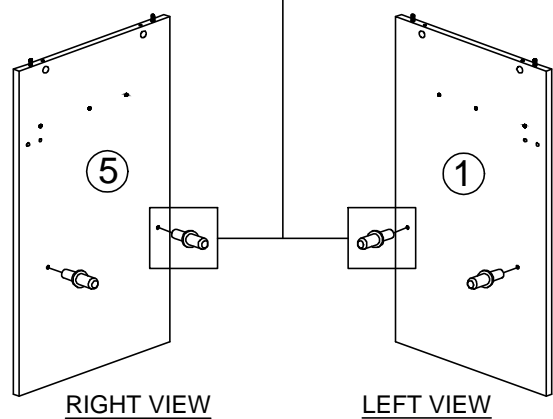
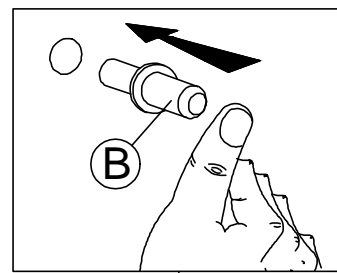
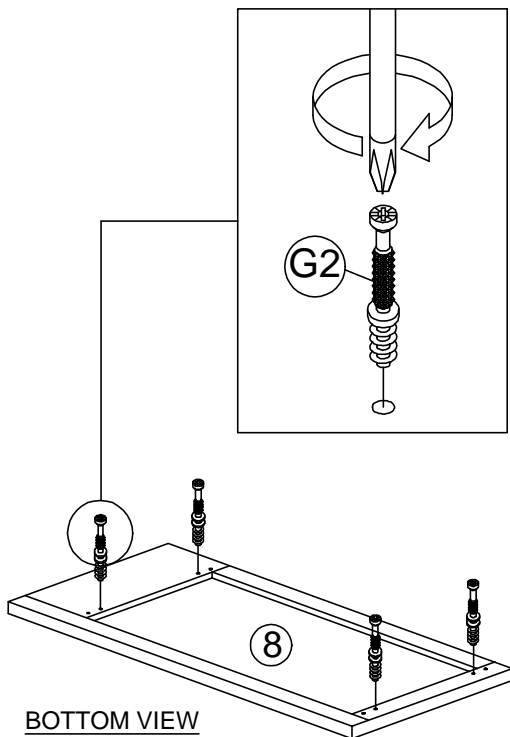
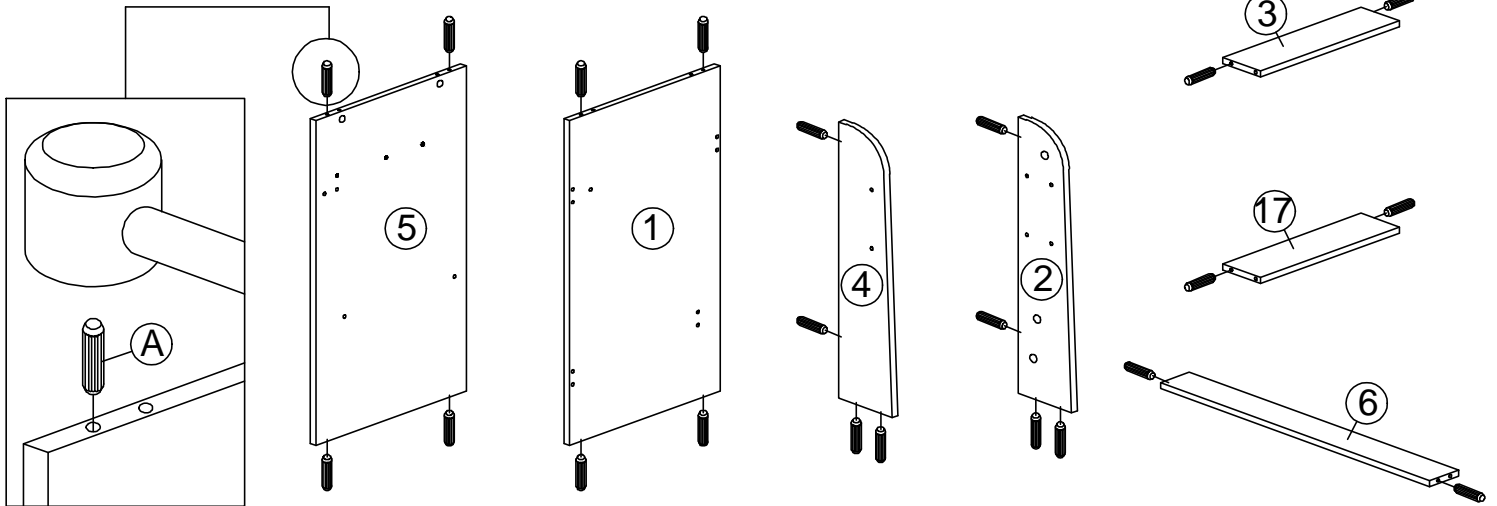


HODEDAH®

Step 1

A		WOOD DOWEL M8X25MM	22
G2		MINIFIX BOLT	4


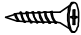


B		SHELF SUPPORT	4
---	---	---------------	---






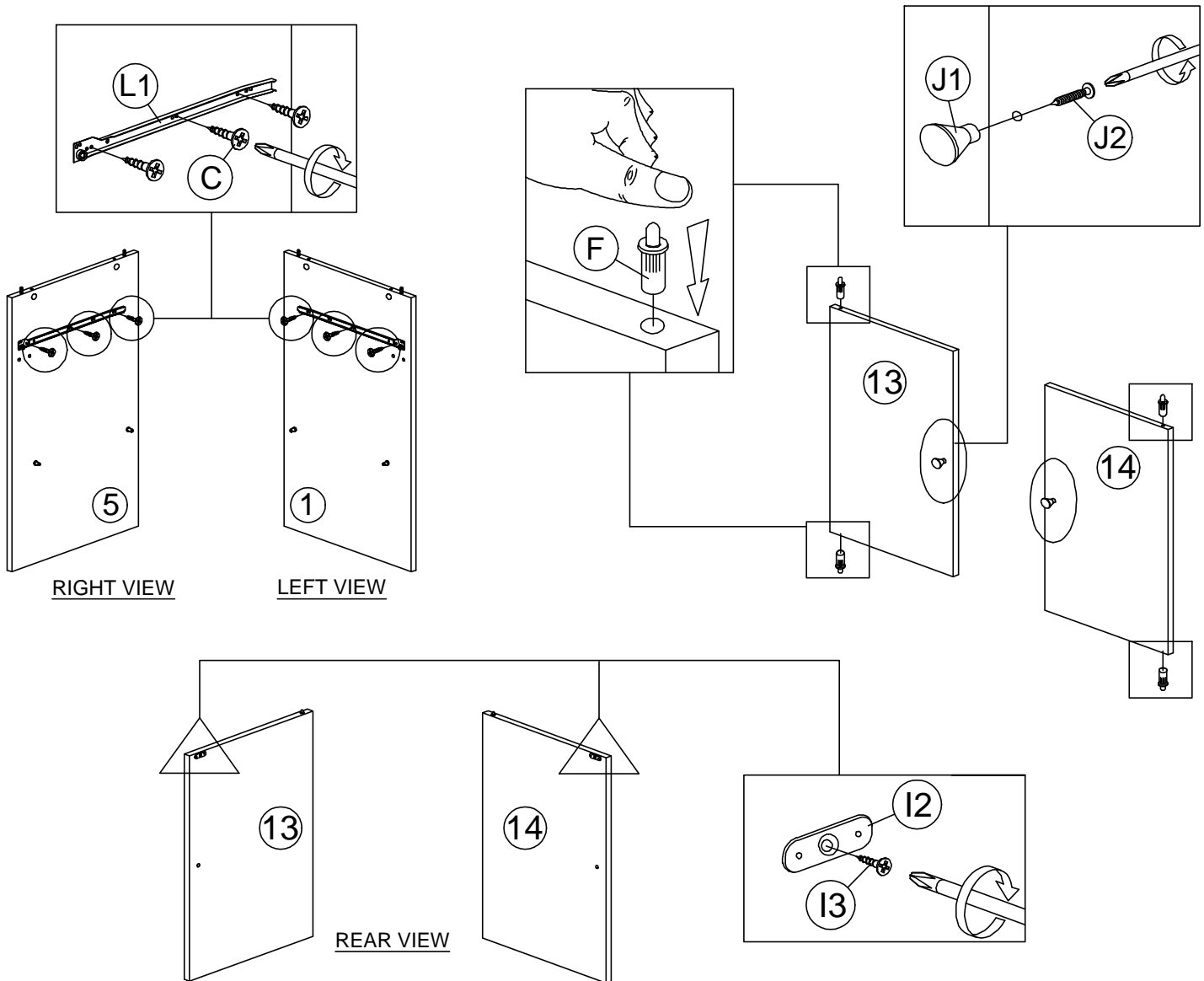
1. Insert 22 x wood dowel (A) into panel (1,2,3,4,5,6 & 17).
2. Insert 4 x minifix bolt (G2) into panel (8) at bottom side.
3. Insert 4 x shelf support (B) into panel (1 & 5).

HODEDAH®

Step 2

I3		CB SCREW M3X12MM	2
C		CB SCREW M3.5X16MM	6
F		DOOR SUPPORT SPRING	4
I2		METAL PIECE	2

J1		HANDLE 311 KNOB	2
J2		CB SCREW M4X25MM	2
L1		DRAWER SLIDE 14"	2



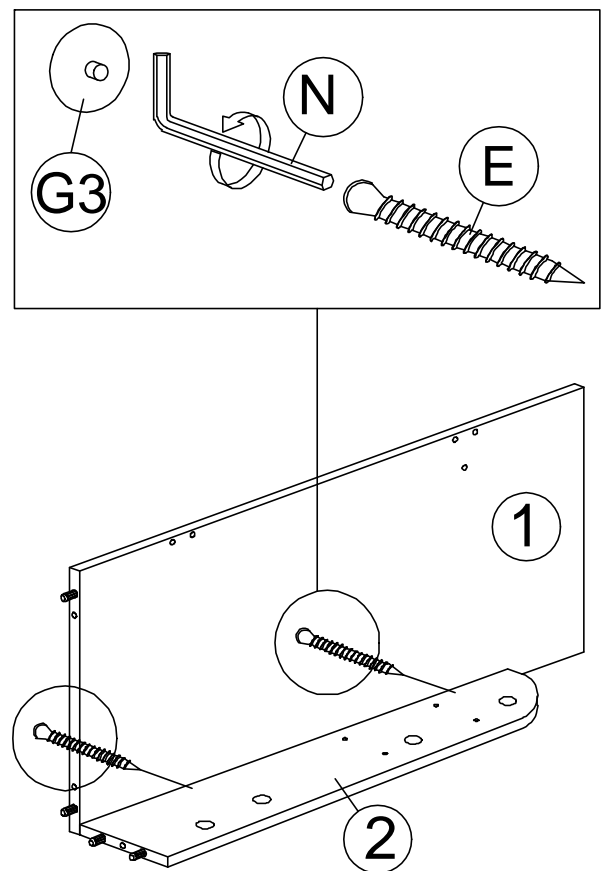
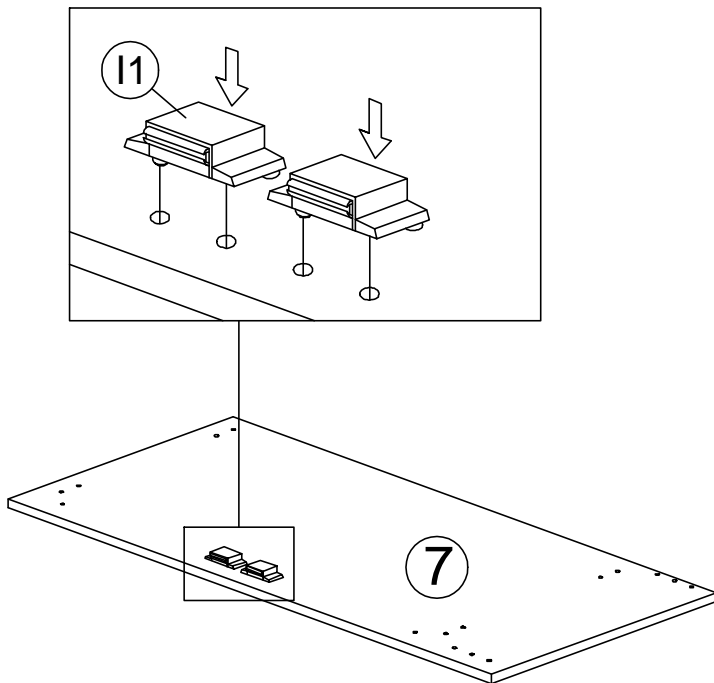
1. Assemble 2 x drawer slide (**L1**) to panel (**1 & 5**) with 6 x cb screws M3.5x16mm (**C**).
2. Insert 4 x door support spring (**F**) into panel (**13 & 14**) top side and bottom side.
3. Attach 2 x handle (**J1**) to panel (**13 & 14**) front with 2 x cb screws M4x25mm (**J2**).
4. Fix 2 x metal piece (**I2**) to panel (**13 & 14**) back with 2 x cb screws M3x12mm (**I3**).

HODEDAH®

Step 3

E	 CB SCREW M6X50MM	2
I1	 3.5KG MAGNET (1 HOLE)	2
G3	 MINIFIX CAP	2



N	 ALLEN KEY	1
---	---	---

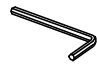



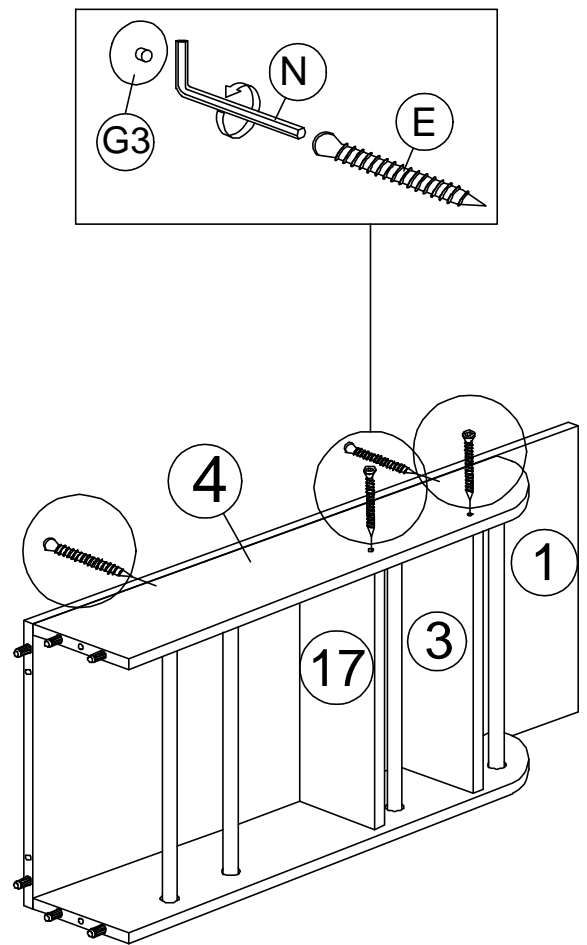
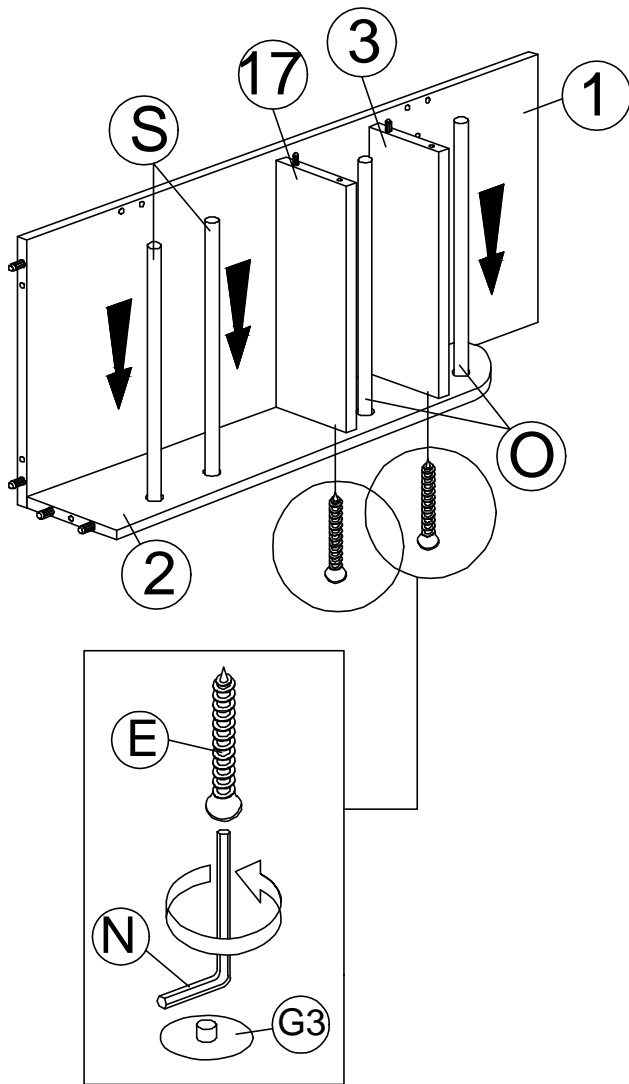
1. Insert 2 x magnet (I1) into panel (7).
2. Connect panel (2) to panel (1) by using 2 x csk M6x50mm (E) with allen key (N). After that, insert 2 x cap (G3).

HODEDAH®

Step 4



E	 CB SCREW M6X50MM	6
G3	 MINIFIX CAP	6

N	 ALLEN KEY	1
O	 CB SCREW M4X25MM	4

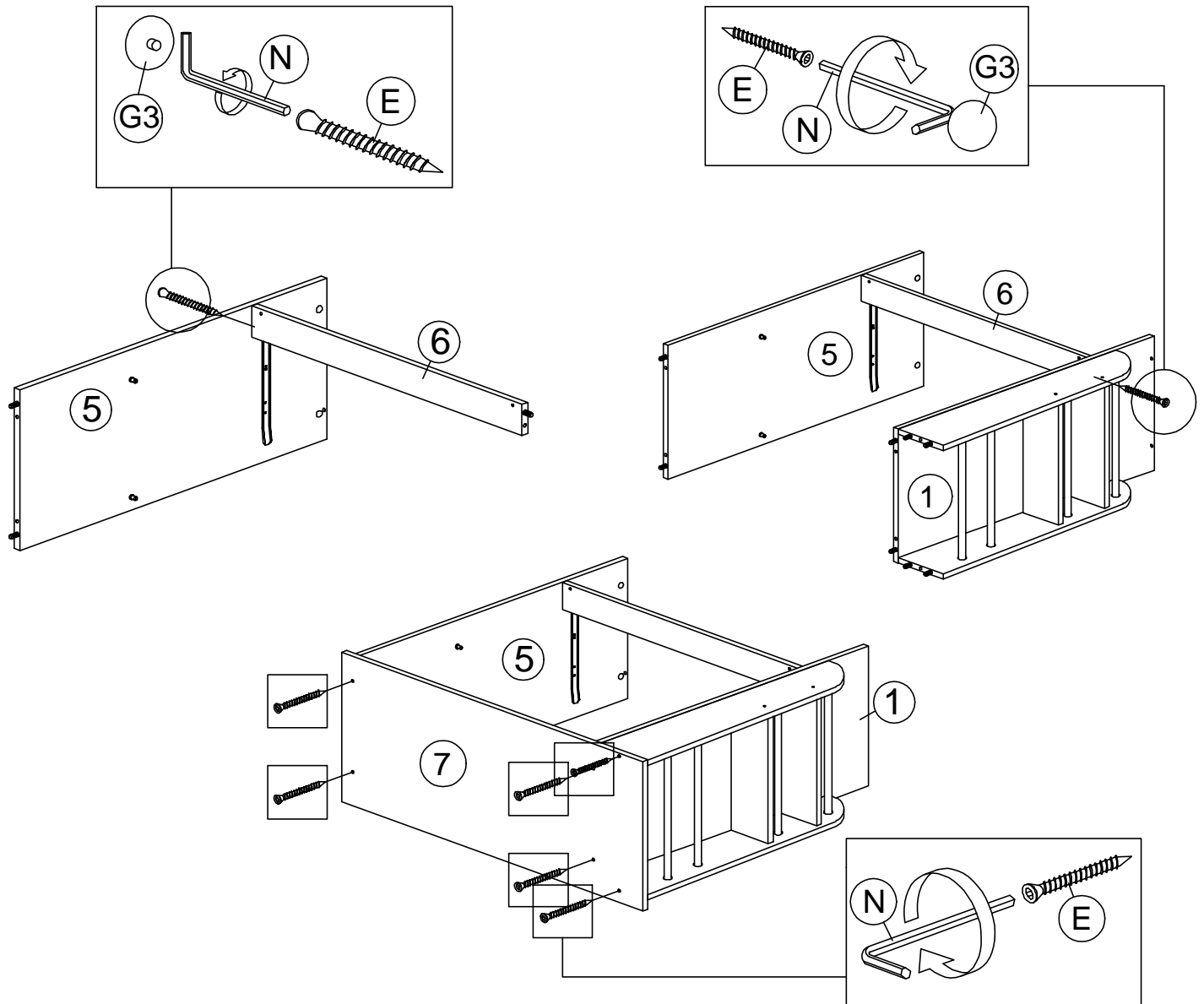


1. Connect panel (3 & 17) to panel (2) by using 2 x csk M6x50mm (E) with allen key (N). After that, insert 2 x cap (G3).
2. Slot 4 x chrome pipe (O) into panel (2).
3. Connect panel (4) to panel (3 & 17) by using 2 x csk M6x50mm (E) with allen key (N). After that, insert 2 x cap (G3).
4. Connect panel (1) to panel (4) by using 2 x csk M6x50mm (E) with allen key (N). After that, insert 2 x cap (G3).

Step 5




E	 CSK CAP WOOD M6X50MM	7
G3	 MINIFIX CAP	2

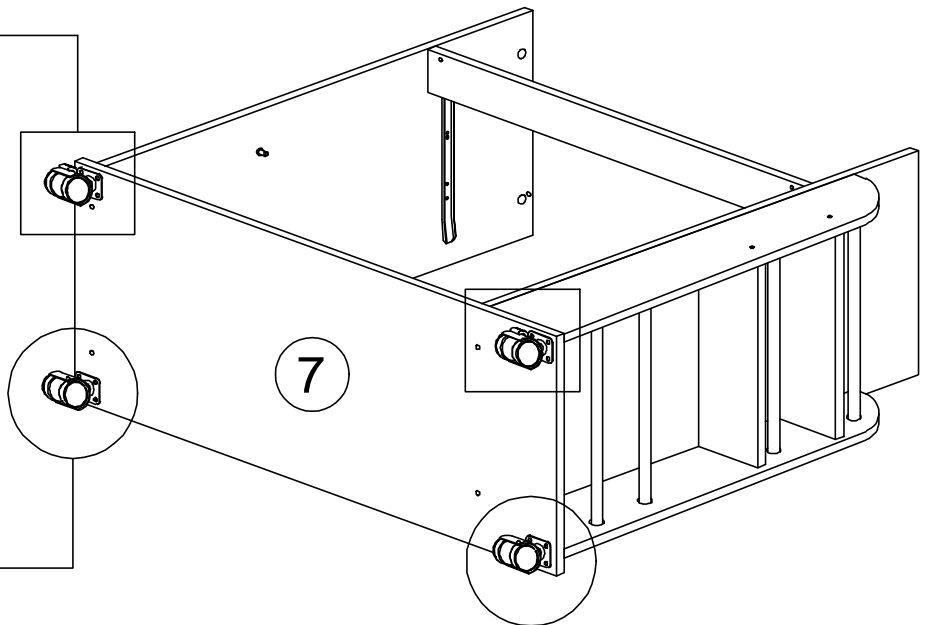
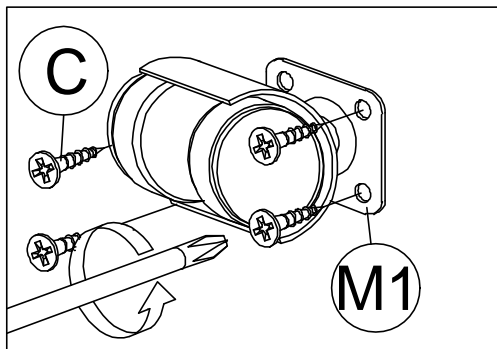
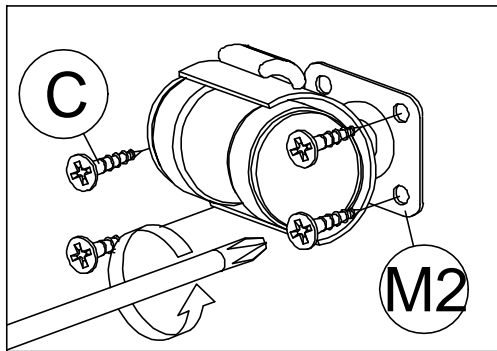
N	 ALLEN KEY	1
---	---	---



1. Connect panel (6) to panel (5) by using 1 x csk M6x50mm (E) with allen key (N). After that, insert 1 x cap (G3).
2. Connect panel (6) to panel (1) by using 3 x csk M6x50mm (E) with allen key (N). After that, insert 1 x cap (G3).
3. Connect panel (7) to panel (5 & 1) by using 6 x csk M6x50mm (E) with allen key (N).

Step 6




C		CB SCREW M3.5X16MM	16
M1		CASTER W/OUT STOPPER	2
M2		CASTER WITH STOPPER	2


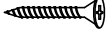



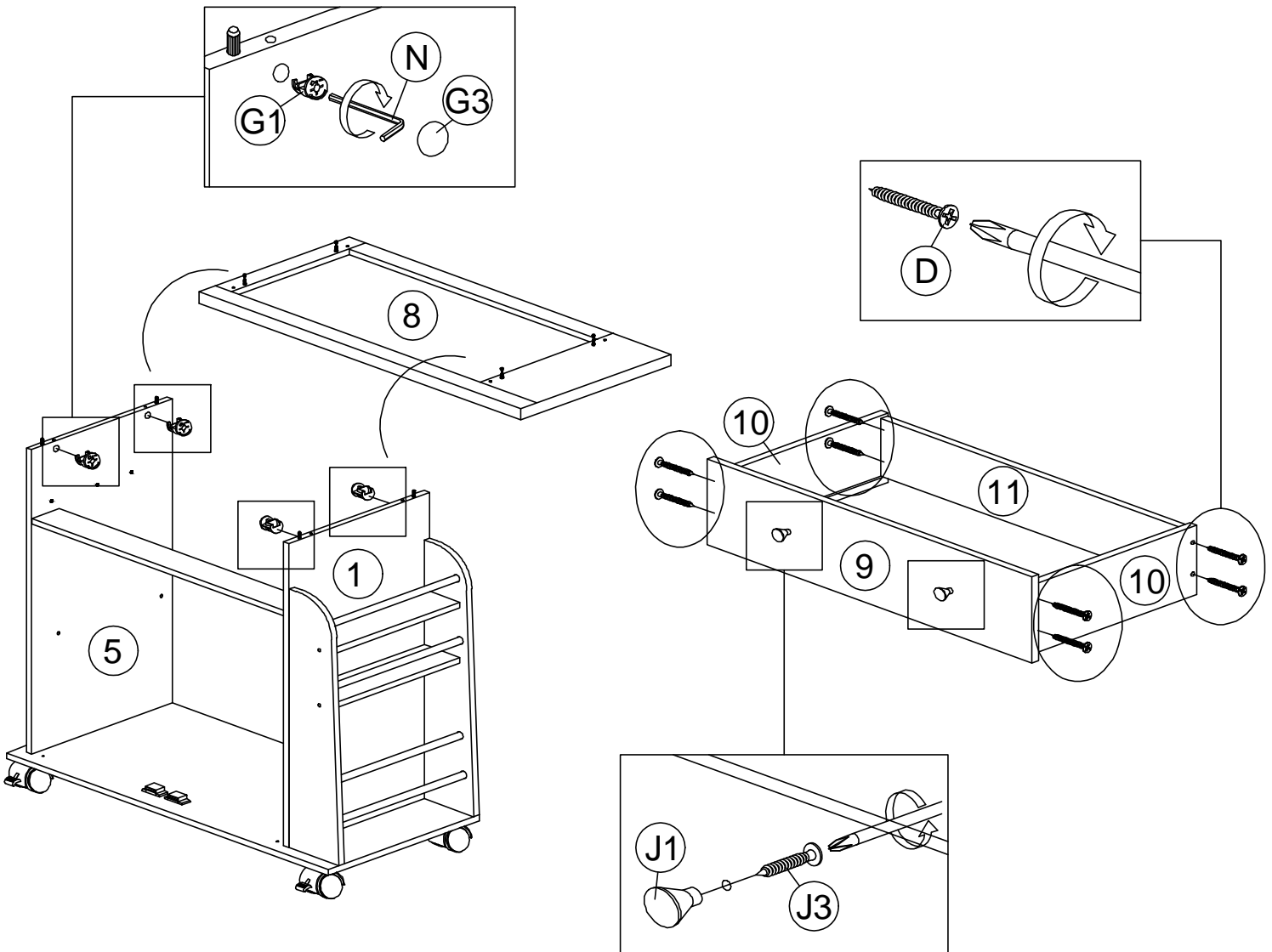
1. Fix 4 x caster (**M1**) & caster (**M2**) onto panel (**7**) base by using 16 x cb screws M3.5x16mm (**C**).

HODEDAH®

Step 7

D		CB SCREW M4X38MM	8
G1		MINIFIX NUT	4
G3		MINIFIX CAP	4


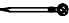
J1		HANDLE 311 KNOB	2
J3		CB SCREW M4X45MM	2
N		ALLEN KEY	1




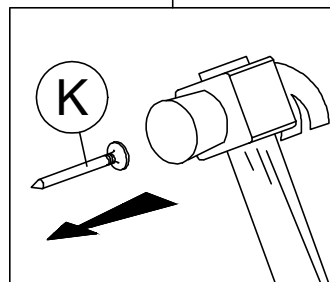
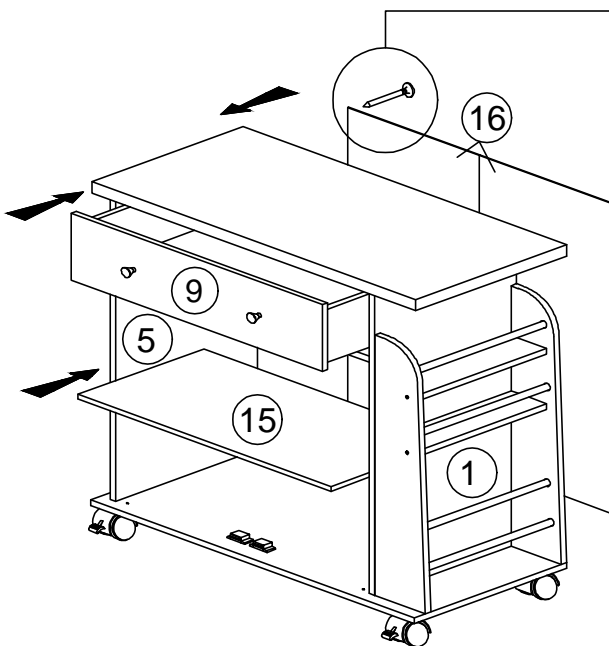
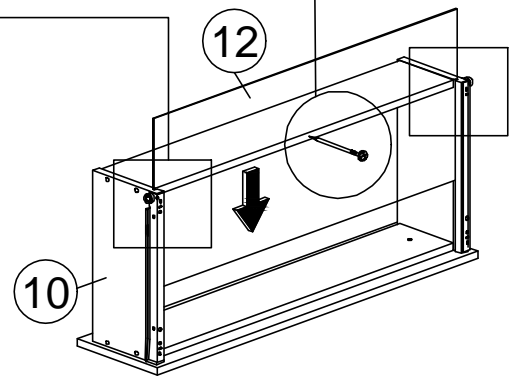
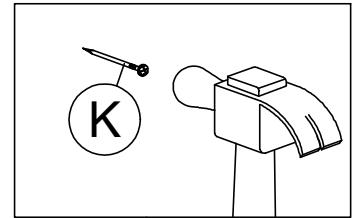
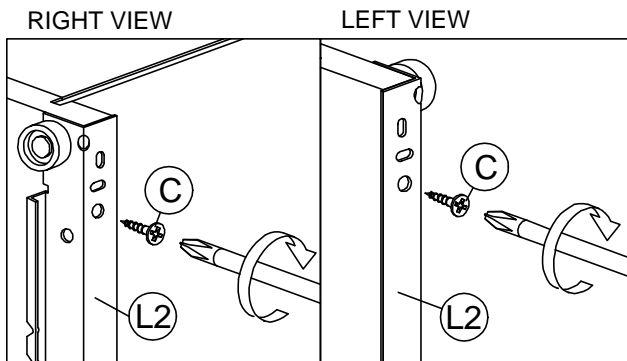
1. Connect panel (8) to panel (1 & 5) by using 4 x minifix nut (G1) with allen key (N). After that, insert 4 x cap (G3).
2. Attach 2 x panel (10) to panel (9 & 11) by using 8 x cb screws M4x38mm (D).
3. Fix 2 x handle (J1) to panel (9) by using 2 x cb screws M4x45mm (J3).

HODEDAH®

Step 8

C		CB SCREW M3.5X16MM	6
K		NAIL 5/8	40

L2		DRAWER SLIDE 14"	2
----	---	------------------	---

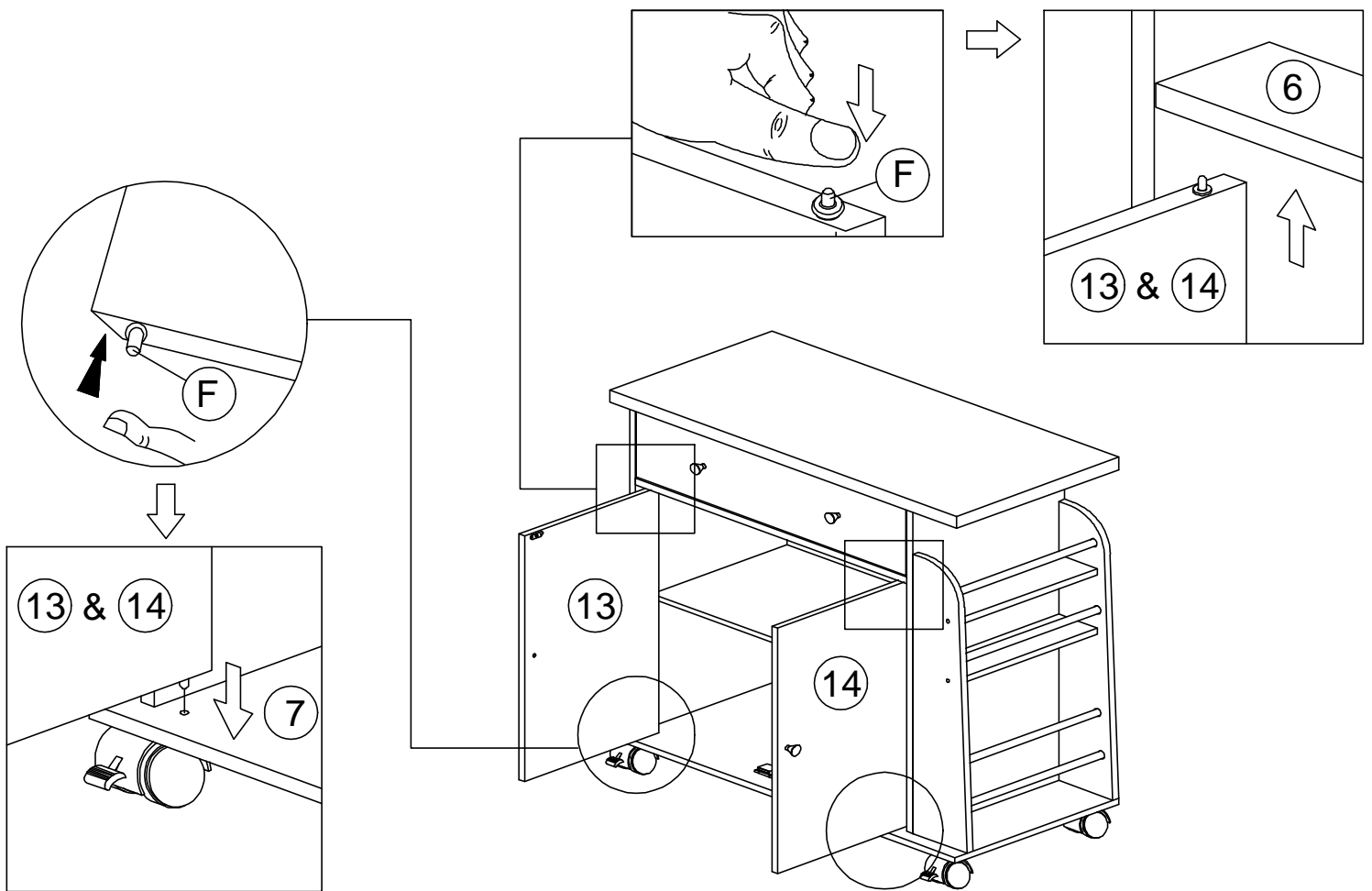


1. Fix 2 x drawer slide (**L2**) into panel (**10**) by using cb screws M3.5x16mm (**C**).
2. Slide 1 x panel (**12**) into panel (**10**) groove. After that, use 15 x power nails (**K**) for fix it.
3. Place 2 x panel (**16**) at back side by using 25 x power nails (**K**) for fix it.
4. Slide the drawer box (**9**) into the drawer slide at the panel (**1 & 5**).
5. Slide the panel (**15**) between panel (**1 & 5**).

HODEDAH®

Step 9

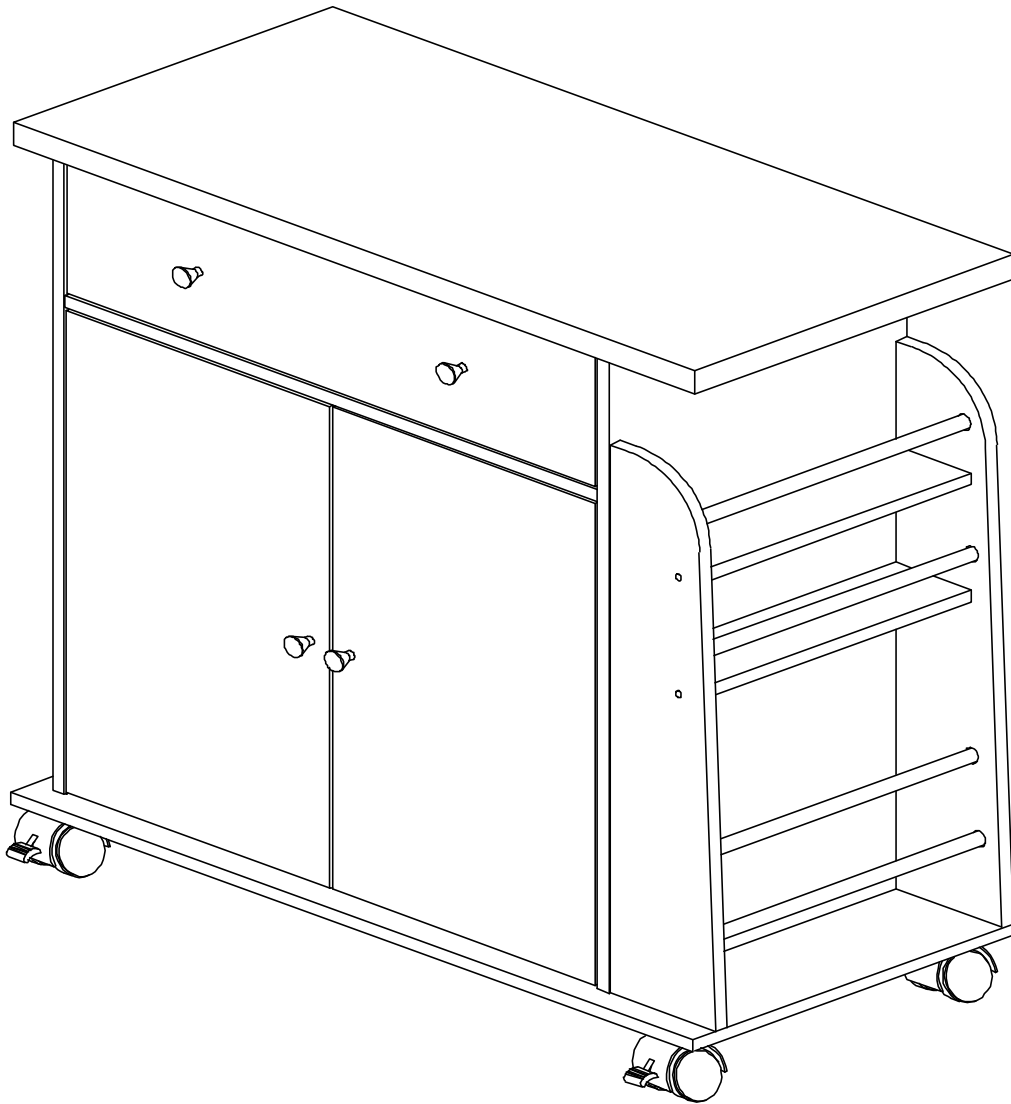
Final step...



1. Press the door support spring (**F**) at the panel (**13 & 14**) top side. After that, inside to the hole at panel (**6**).
2. Press the door support spring (**F**) at the panel (**13 & 14**) bottom side. After that, inside to the hole at panel (**7**).

HODEDAH®

Job Complete...



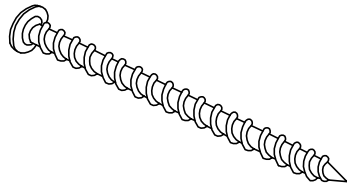
Enjoy & Thank you for purchasing from Hodedah!



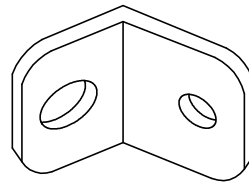
HODEDAH®

Installation of Anti-Tip Restraint

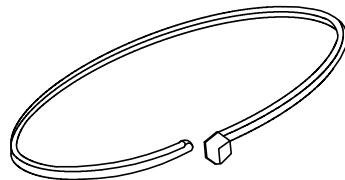
Kit includes:



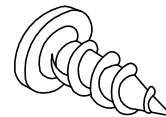
A (x2)
Long screw



B (x4)
Mounting bracket



C (x2)
Restraint strap



D (x2)
Short screw



WARNING



Serious or fatal crushing injuries can occur from furniture tip-over. To help Prevent tip-over:

- Install tip-over restraint provided
- Place heaviest items in the lower drawers
- Do not set TV's or other heavy objects on top of this product
- Never allow children to climb or hang on drawers, doors or shelves
- Never open more than one drawer at a time
- Do not defeat or remove the drawer interlock system

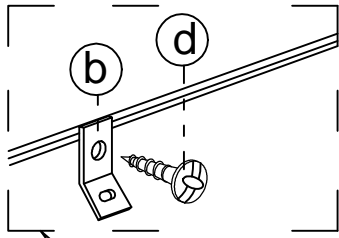
Use tip-over restraints may only reduce but not eliminate the risk of tip-over.

IMPORTANT: Use of this safety kit is mandatory. This restraint is not a substitute for proper adult supervision. Failure to detach this restraint before moving furniture may result in injury and damage. **If the safety kit is not in the box, please contact our consumer service team at Tel. 1 (718) 456 0505 or Email Support@Hodedah.com in order to obtain one before using the furniture.**

FITTING OF ANTI-TIP SAFETY STRAP

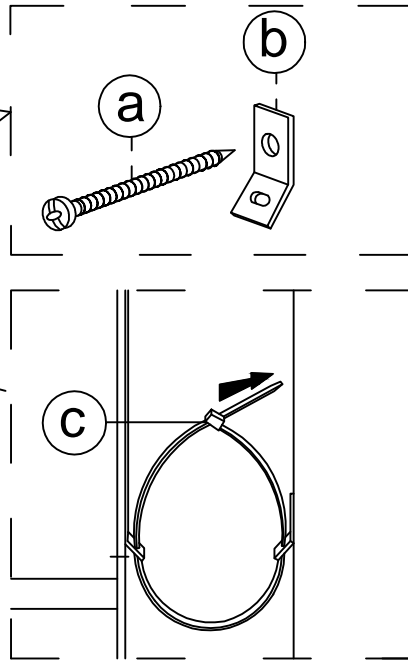
STEP 1:

- Attach the mounting bracket (b) to the furniture in the solid part below the top panel a few inches away from the side of the unit.
- Screw (d) through the smallest hole of (b).



STEP 2:

- Locate a stud in behind the have to
- Place the other mounting bracket (b) on the wall stud 2 inches below the mounting bracket secured to the back of your unit.
- Attach to the wall stud using (c) through the smaller hole of (b).



STEP 3:

- Repeat the same step a few inches away from the other side of the unit.
- Place the furniture into position so both mounting brackets are vertically in line.
- Lace the end of the restraint strap through the larger holes in each mounting bracket.
- Secure the straps and lock into place.

