

HODEDAH®

Assembly Instructions

This instruction booklet contains important safety information, please read and keep for future reference.

ITEM # HIK 94

KITCHEN CABINET



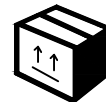
2 people



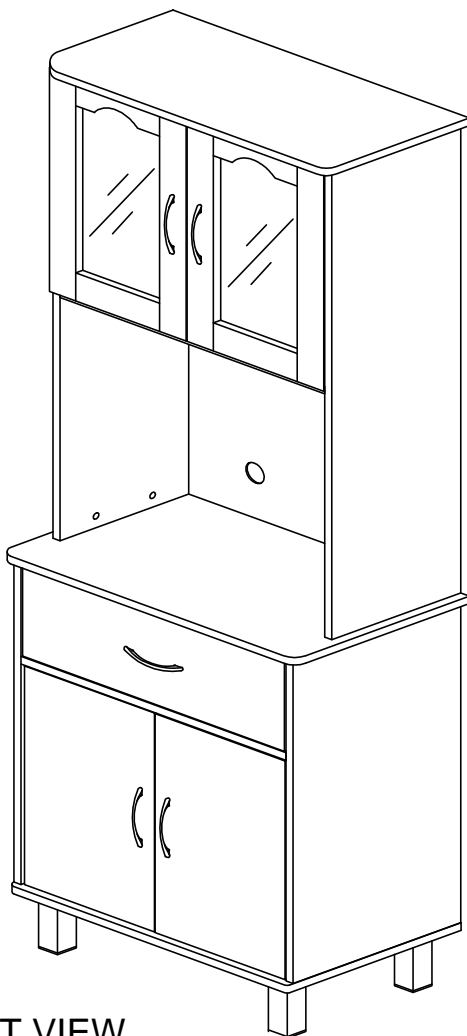
70 mins



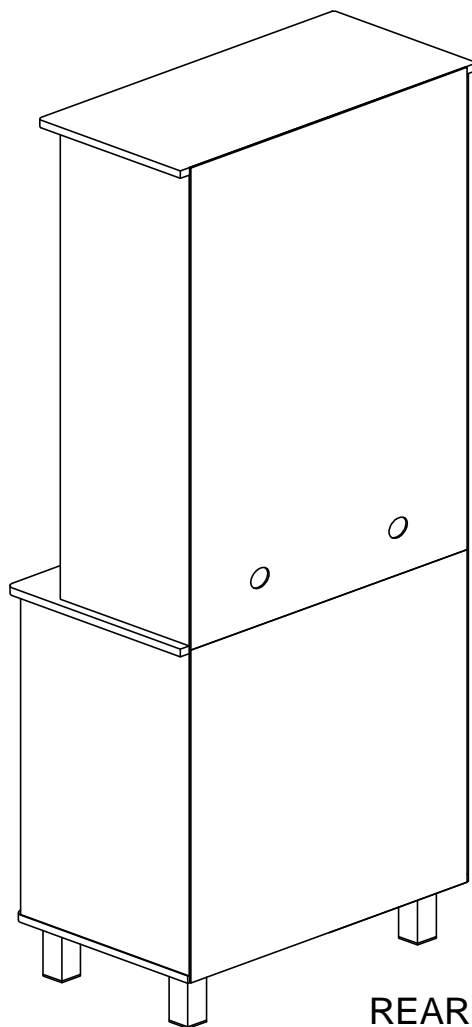
1 YR LTD



1 Box



FRONT VIEW



REAR VIEW

Product Dimensions : Height 70.9" x Width 23.6" x Depth 15.75"

HODEDAH®

Questions, need parts, we are here to help!



Phone

Mon - Fri | 9:30am to 5pm EST

1 - 855 - HODEDAH

1 - 855 - 463 - 3324



Email

Send us an email

Support@Hodedah.com



Website

Visit our website to open a case

www.Hodedah.com

FOR PROMPT, RELIABLE SERVICE PLEASE HAVE YOUR INSTRUCTION MANUAL READY



DO NOT RETURN PRODUCT TO THE STORE

If parts are missing or damaged please contact our customer service team and we will gladly ship your replacement parts FREE of charge within ONE YEAR of purchase!

WARRANTY

Hodedah warrants this product to be free from defect in materials and workmanship and agrees to remedy and such defect. This warranty covers one year from the date of original purchase. This is solely limited to replacement of defective parts and no assembly for labor is included. This warranty does not apply to any product that has been improperly assembled, subjected to misuse, abuse or which has been altered or repaired in any way. To obtain warranty service, original purchaser must present the following; original bill of sale, date of purchase, where the product was purchased and images if applicable. Components replaced warranted through the remainder of the original warranty only. The defective part will be replaced without charge, subject to the terms and conditions described above.

WARNING

- This product contains small parts, keep away from children.
- This product contains plastic bags, keep away from children.
- Serious or fatal crushing injuries can occur from furniture tip-over. To help prevent this, place heaviest items on the lower shelves and drawers. Do not set heavy object on top shelves and drawers.
- Never allow children to climb or hang on drawers, shelves and doors.
- Never open more than one drawer at a time.
- The use of tip-over restraints may reduce but not eliminate the risk of tip-over.

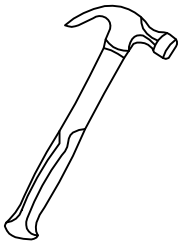
HODEDAH®

Let's get started...

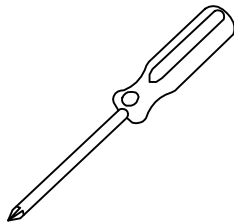
Helpful hints, read before beginning assembly

- Make sure you receive all boxes. if your item is packed in one box, box count will read 1 of 1, likewise if your item is packed in two boxes, box count will read 1 of 2 and second box will read 2 of 2.
- Read each step carefully. It is very important that each step is performed in the correct order. If these steps are not followed in sequence, assembly difficulties will occur.
- Work in a spacious level area, preferably carpet, near the place the unit will be used.
- **DO NO USE** power tools to assemble your furniture, it will strip and damage parts.
- Your package should include the following hardware and parts. Parts are labeled or stamped on the raw edge. Please inspect contents to ensure you have received all components. **If you are missing any hardware or parts please contact customer service right away before assembly.**

Assembly Tools Required (not supplied)



Hammer



Philips Screwdriver



Tape Measure


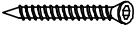
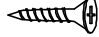
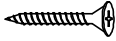
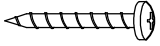
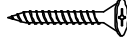


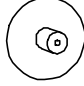
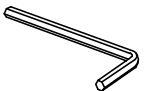
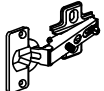





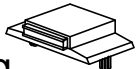
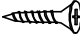
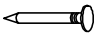




No Power Tools Needed

Product Care and Maintenance

- Wipe clean with dry soft cloth, never use chemicals or cleaning products they will damage the finish.
- Avoid placing your furniture in direct sunlight, as sunlight causes fading.
- Never push, drag or pull your furniture, to move to a new location carefully with two or more people carry the unit to its new location.
- Avoid extreme changes in temperature by arranging furniture away from radiators, heat and air vents and air conditioning units.

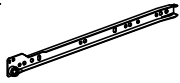

Hardware List

A  M8X25MM	QTY 22 Pcs	B  M6X50MM	QTY 6 Pcs	C  M3.5X16MM	QTY 56 Pcs
D  M4X22MM	QTY 8 Pcs	E  M4X35MM	2 Pcs	F  M4X38MM	8 Pcs
G1  Minifix Nut	16 Pcs	G2  Minifix Bolt	16 Pcs	G3  Minifix Cap	16 Pcs
H  Allen Key	1 Pcs	I  Hinges 5/8	4 Pcs	J  Shelf Support	4 Pcs
K Door Support Spring 	4 Pcs	L Moon Handle 96mm 	5 Pcs	M 2 Pin Stopper 	1 Pcs
N1  Metal Piece	2 Pcs	N2 3.5kg Magnet (1 Hole) 	2 Pcs	N3  M3X12MM	2 Pcs
O  Nail 5/8	QTY 46 Pcs	P  Mirror Bracket	12 Pcs	Q  PVC Leg	4 Pcs

Important

1. Before you throw the package, please use the Check Box to identify the parts and hardware to ensure that you have everything you need.
2. Check and measure the bolts before applying them to parts.
3. Do not completely tighten all hardware until the entire assembly is complete, unless indicated otherwise.

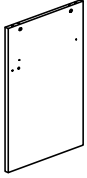
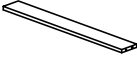
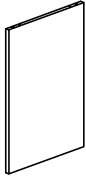

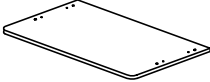
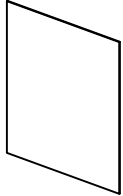





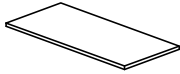
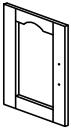
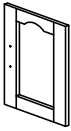
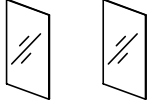


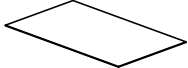
Hardware List

R1  Drawer Slide "14	2 Pcs	R2  Drawer Slide "14	QTY 2 Pcs
---	----------	---	-----------------

Important

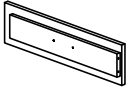


1. Before you throw the package, please use the Check Box to identify the parts and hardware to ensure that you have everything you need.
2. Check and measure the bolts before applying them to parts.
3. Do not completely tighten all hardware until the entire assembly is complete, unless indicated otherwise.

Parts List

1  686x380x15mm	QTY 1 Pcs	2  528x76x15mm	QTY 1 Pcs	3  686x380x15mm	QTY 1 Pcs
4  562x396x15mm	1 Pcs	5  600x396x15mm	1 Pcs	6  708x558x2.5mm	1 Pcs
7  1002x292x15mm	1 Pcs	8  528x292x15mm	1 Pcs	9  1002x292x15mm	1 Pcs
10  600x324x15mm	1 Pcs	11  1024x558x2.5mm	1 Pcs	12  528x278x15mm	1 Pcs
13  476x274x15mm	1 Pcs	14  476x274x15mm	1 Pcs	15  400x176x3mm	2 Pcs
16  472x111x15mm	1 Pcs	17  343x121x15mm	2 Pcs	18  501x343x2.5mm	1 Pcs

HODEDAH®

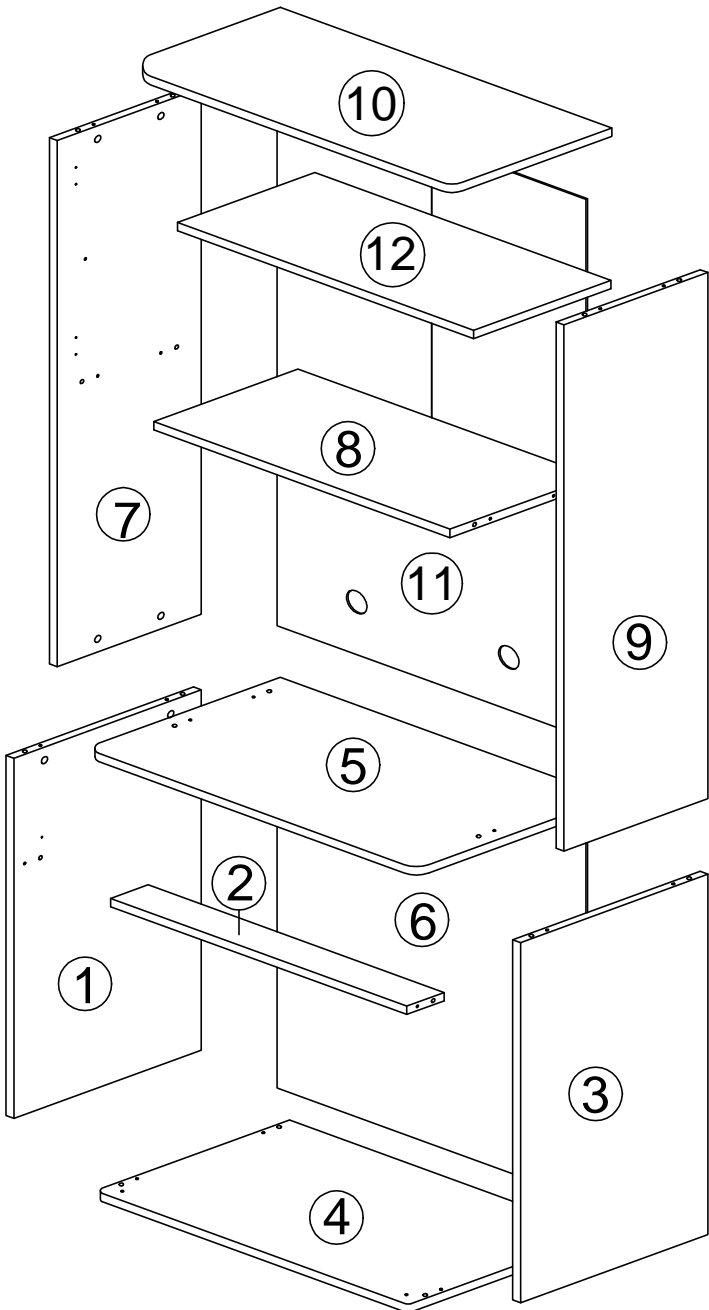
Parts List

19	QTY	20	QTY	21	QTY
	1		1		1
522x192x15mm	Pcs	466x258x15mm	Pcs	466x258x15mm	Pcs

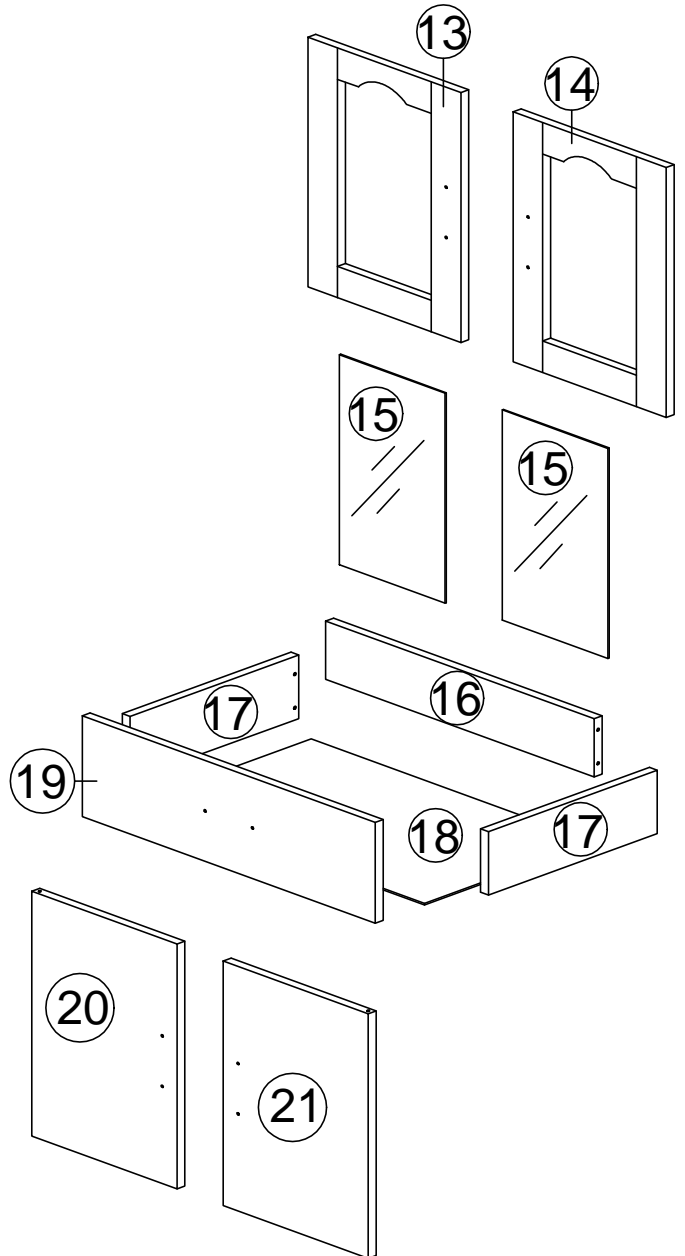
HODEDAH®

The Breakdown...

I) Main Unit :



II) Door & Drawer :

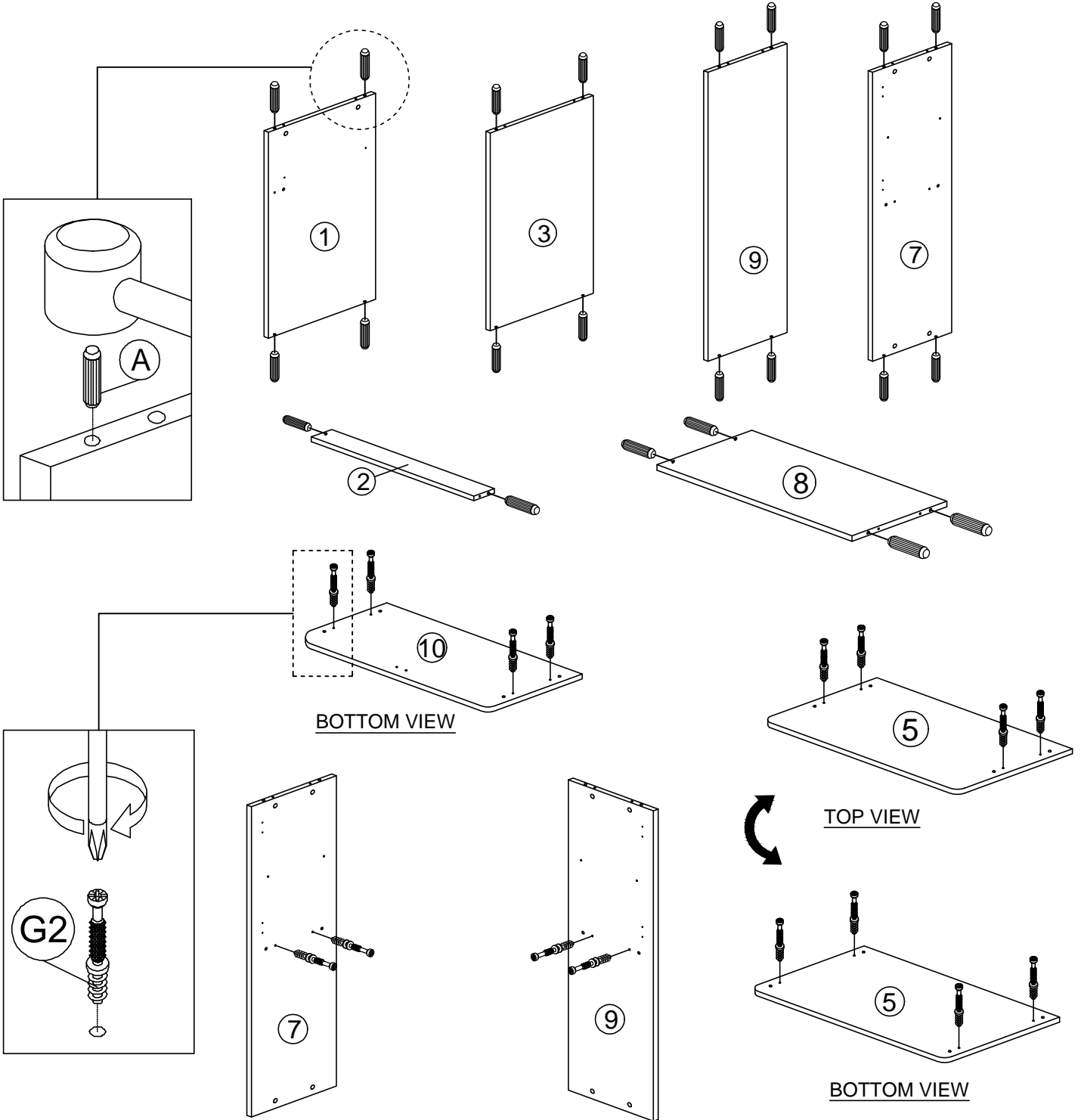


HODEDAH®

Step 1


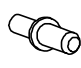
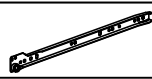
A	 WOOD DOWEL M8x25MM	22
---	--	----

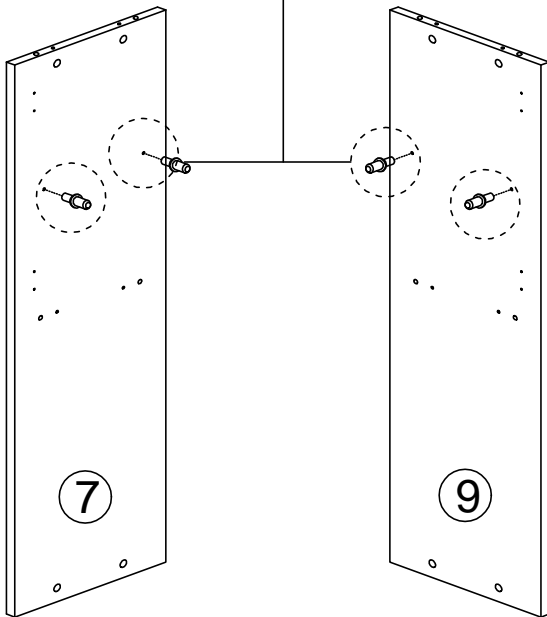
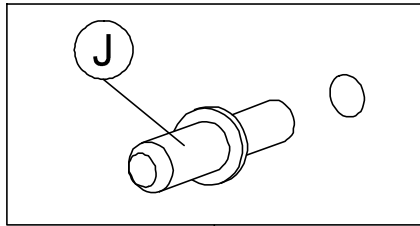
G2	 MINIFIX BOLT	16
----	--	----



1. Insert 22 x wood dowels (**A**) into panel (**1,2,3,7,8 & 9**). Using hammer to gently tap them in.
2. Tighten 16 x minifix bolt (**G2**) into panel (**5,7,9 & 10**).

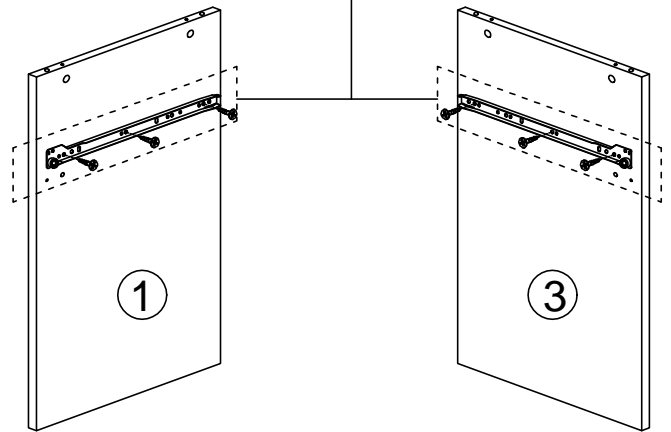
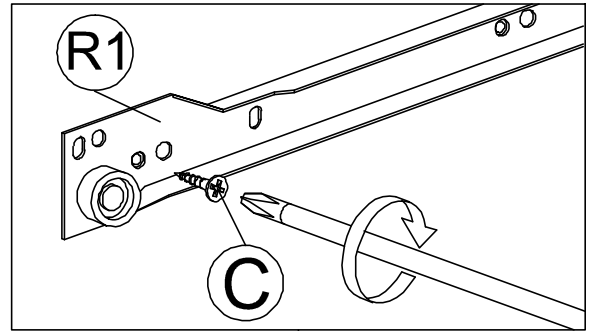
Step 2

C		CB SCREW M3.5X16MM	6
J		SHELF SUPPORT	4
R1		DRAWER SLIDE "14	2



RIGHT VIEW

LEFT VIEW






RIGHT VIEW



LEFT VIEW

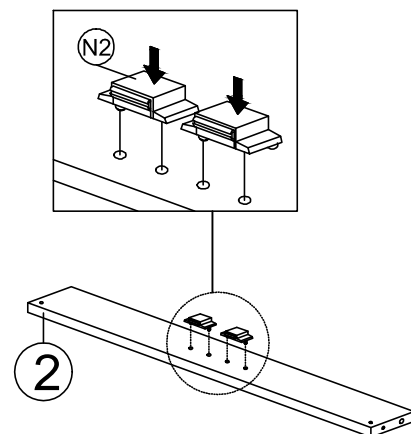
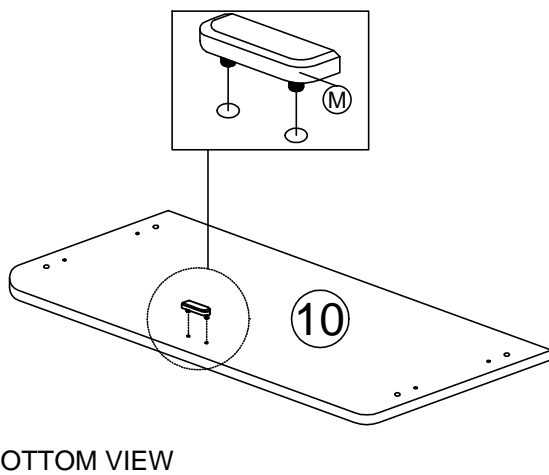
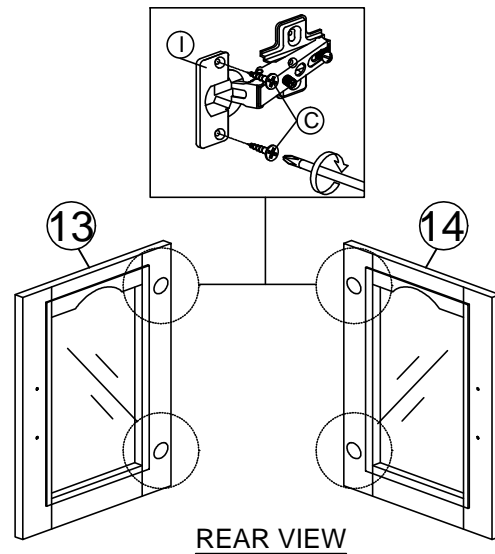
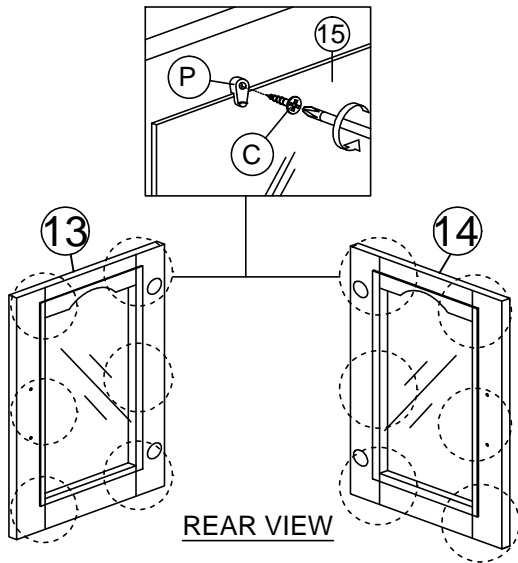
1. Insert 4 x shelf support (**J**) into panel (**7 & 9**).
2. Place the drawer slide (**R1**) onto 3 holes area shown at right view panel (**1**). Then tighten it with 3 x cb screws M3.5x16mm (**C**).
3. Place the drawer slide (**R1**) onto 3 holes area shown at left view panel (**3**). Then tighten it with 3 x cb screws M3.5x16mm (**C**).

HODEDAH®

Step 3

C		CB SCREW M3.5X16MM	20
I		HINGES 5/8	4
M		2 PIN STOPPER	1

N2		3.5KG MAGNET (1 HOLE)	2
P		MIRROR BRACKET	12


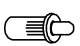





BOTTOM VIEW

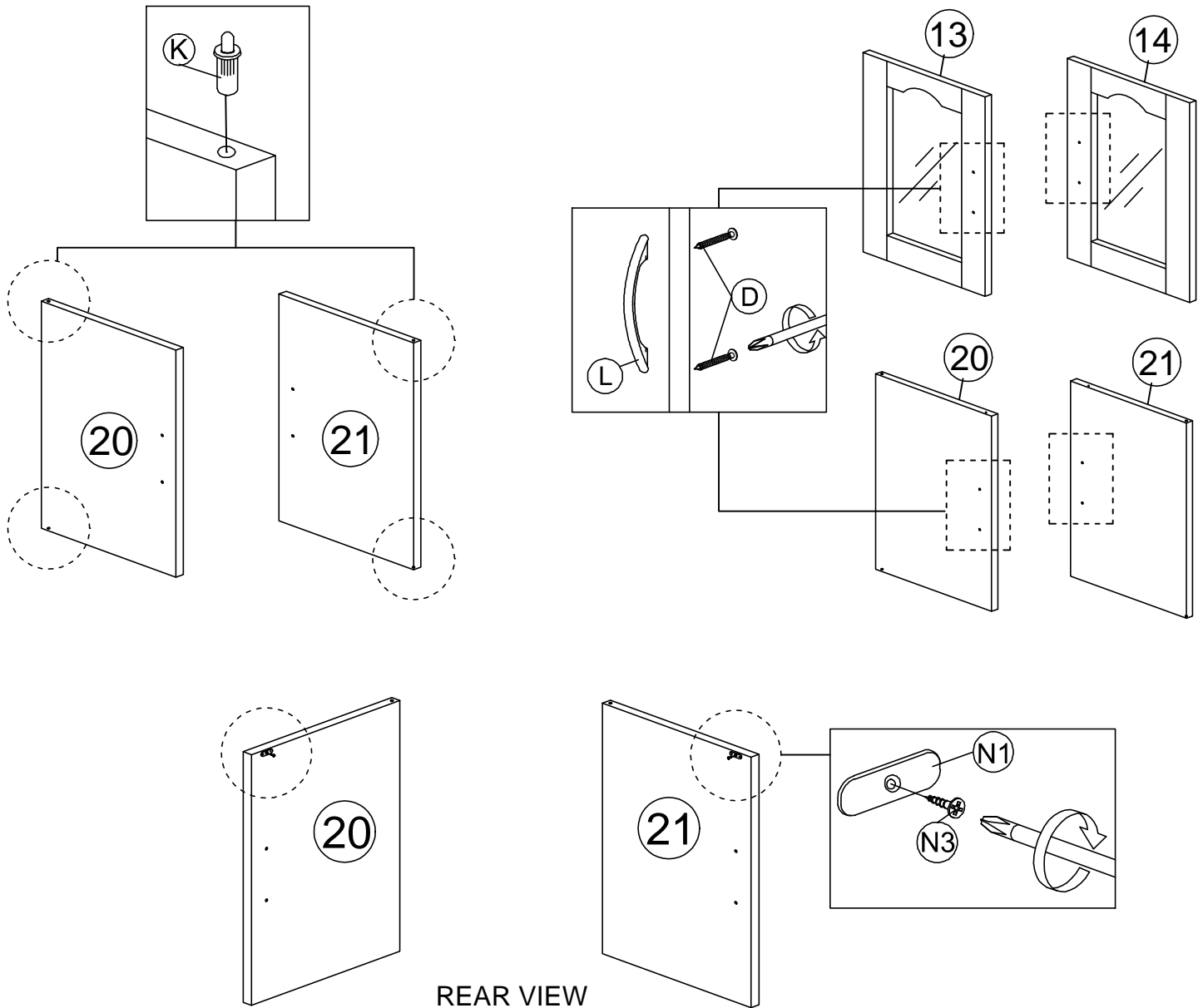
1. Place 12 x bracket (P) onto glass panels (15) by using 12 x screws (C) through bracket (P) thru hole.
2. Put 4 x hinges (I) into upper door panels (13 & 14) non-thru holes by using 8 x screws (C) through hinges (I) thru holes.
3. Insert 2 pin stopper (M) into panel (10)'s non-thru holes as shown.
4. Insert 2 x magnet (N2) onto panel (2)'s non-thru holes as shown, make sure the magnets, iron side facing forward to edging direction.

HODEDAH®

Step 4

D		CB SCREW M4X22MM	8
K		DOOR SUPPORT SPRING	4
L		MOON HANDLE - 96MM	4

N1		METAL PIECE	2
N3		CB SCREW M3X12MM	2


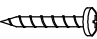




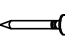

REAR VIEW

1. Insert 4 x door support spring (**K**) into door panel (**20 & 21**) top&bottom side.
2. Place 4 x handle (**L**) to panels (**14,15,20 & 21**) front. Then use 8 x screws (**D**) to tighten it from panels (**14,15,20 & 21**) back.
3. Fix and tighten 2 x metal piece (**N1**) by using 2 x screws (**N3**) to panel (**20 & 21**) back.

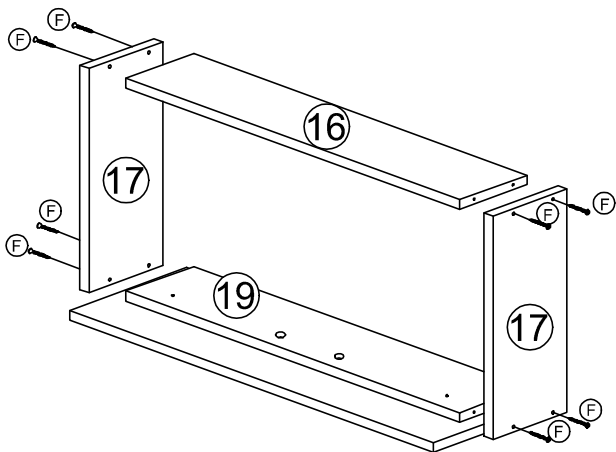
HODEDAH®

Step 5

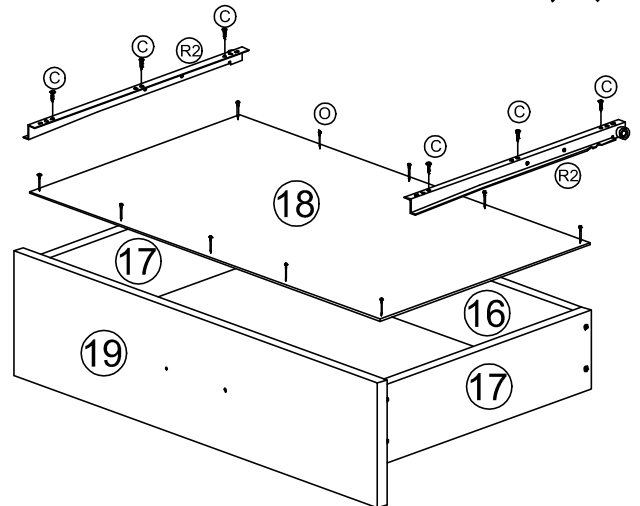
C		CB SCREW M3.5X16MM	6
E		P/H SCREW M4X35MM	2
F		CB SCREW M4X38MM	8

L		MOON HANDLE - 96MM	1
O		NAIL 5/8	10
R2		DRAWER SLIDE "14	2

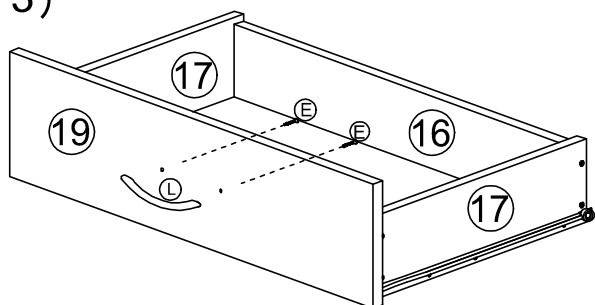
(1)



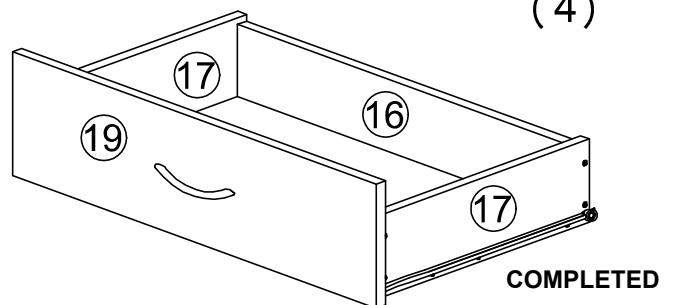
(2)



(3)



(4)



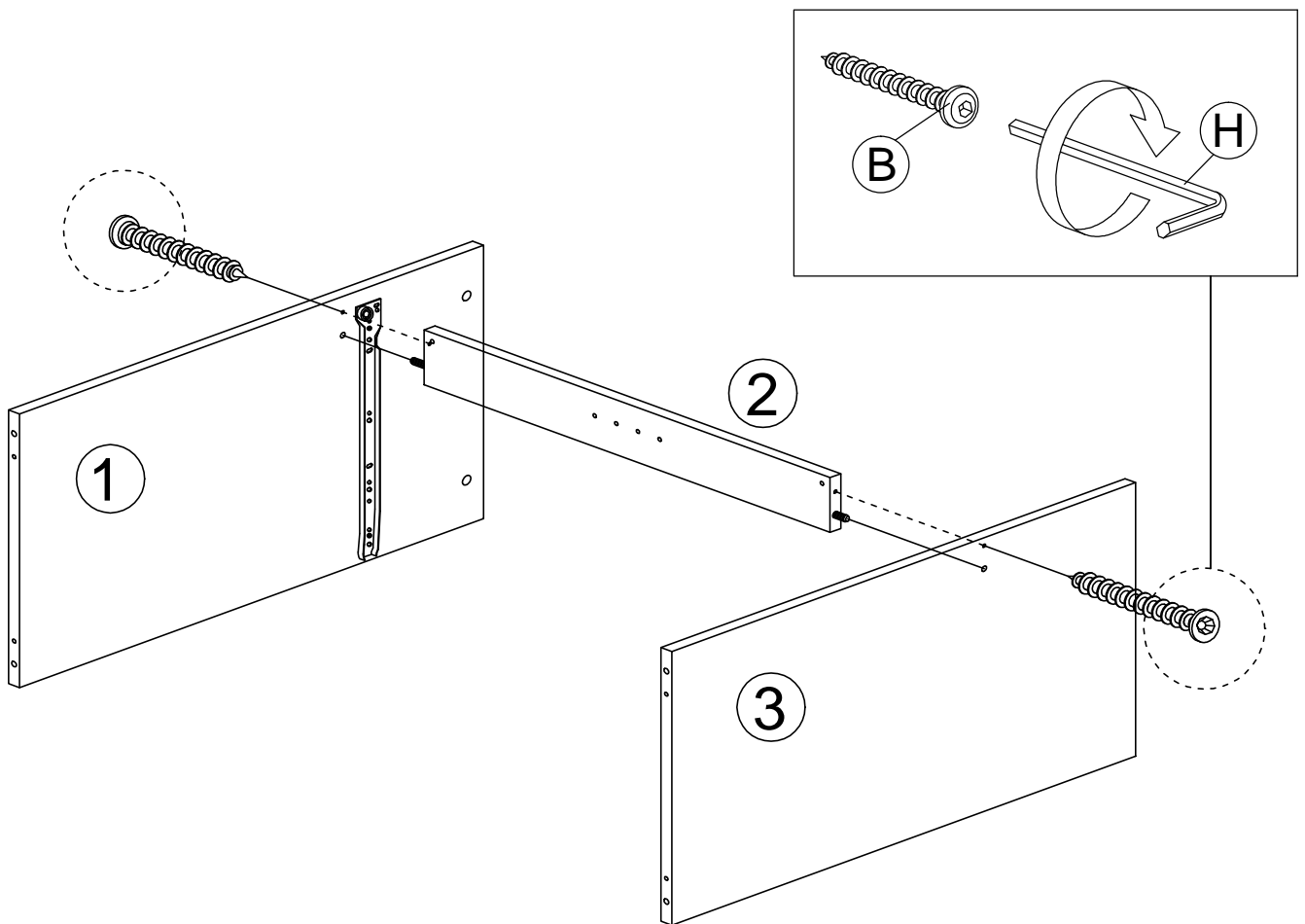
COMPLETED

1. Place 2 x panels (17) next to each side of panel (19 & 16). **(As Shown)**. Then tighten screws (F) from the side of panels (17) with screwdriver.
2. Flip drawer bottom side up, take panel (18) and using nails (O) slight hammer nails into the edges thru panel (18) onto panel (19 # Drawer front) and (16 # Drawer back).
3. Then place drawer slide (R2) onto the edges of panels (17) both sides and screw in three Letter (C) screws onto each hole of the drawer slide connecting it to panels (17) with screwdriver. **(As Shown)**.
4. Flip drawer around and attach handle (L) to front panel (19) by using 2 x screws (E) from the inner side panel (19) with screwdriver.

Step 6

B		CSK CAP WOOD M6X50MM	2
---	---	----------------------	---

H		ALLEN KEY	1
---	---	-----------	---



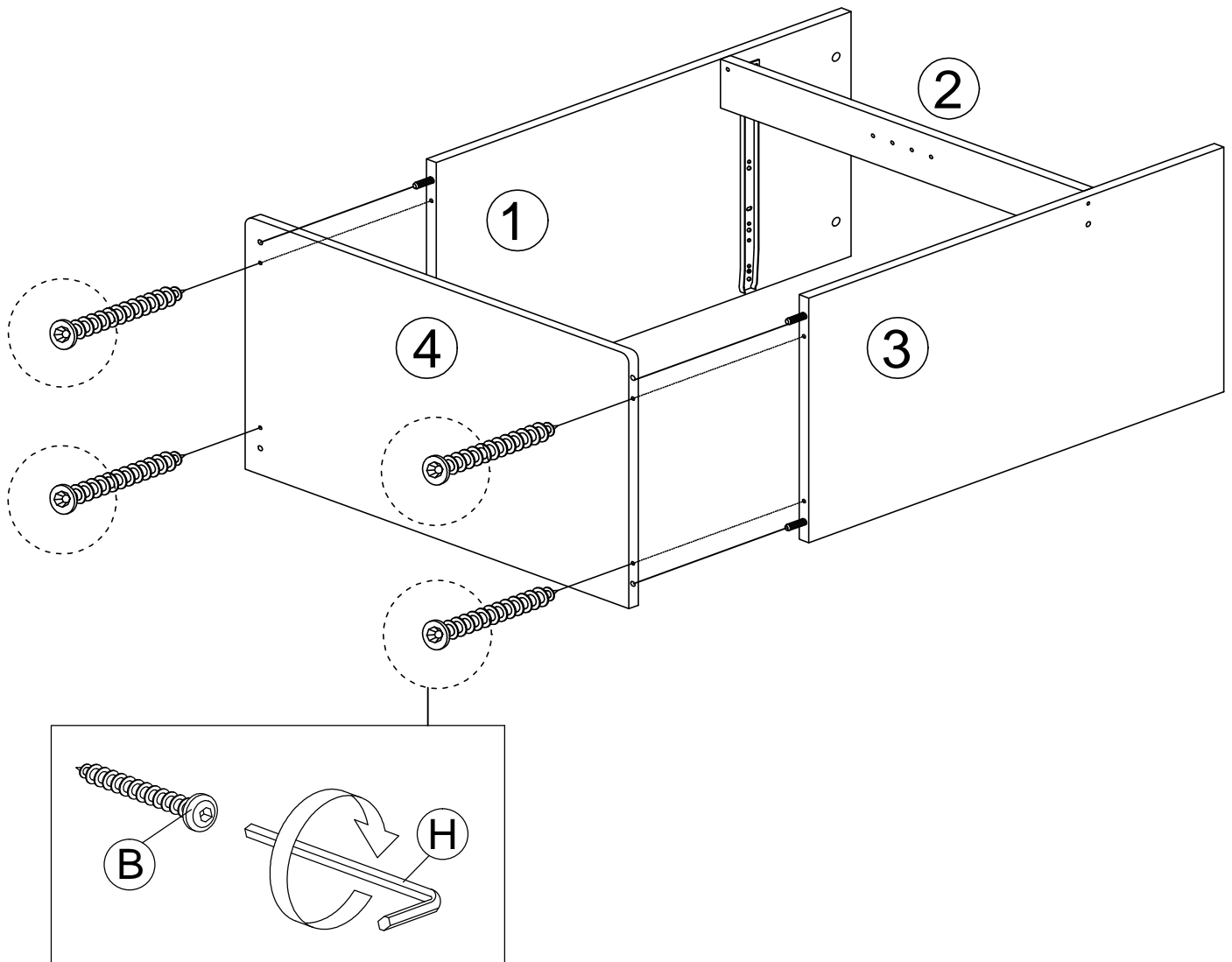
1. Fix panel (2) to panel (1 & 3) by inserting dowels (A) onto non-thru holes at panel (1 & 3). Then tighten 2 x csk M6x50mm (B) to panel (2) from the thru-holes of panel (1 & 3).

HODEDAH®

Step 7

B		CSK CAP WOOD M6X50MM	4
---	---	----------------------	---

H		ALLEN KEY	1
---	---	-----------	---

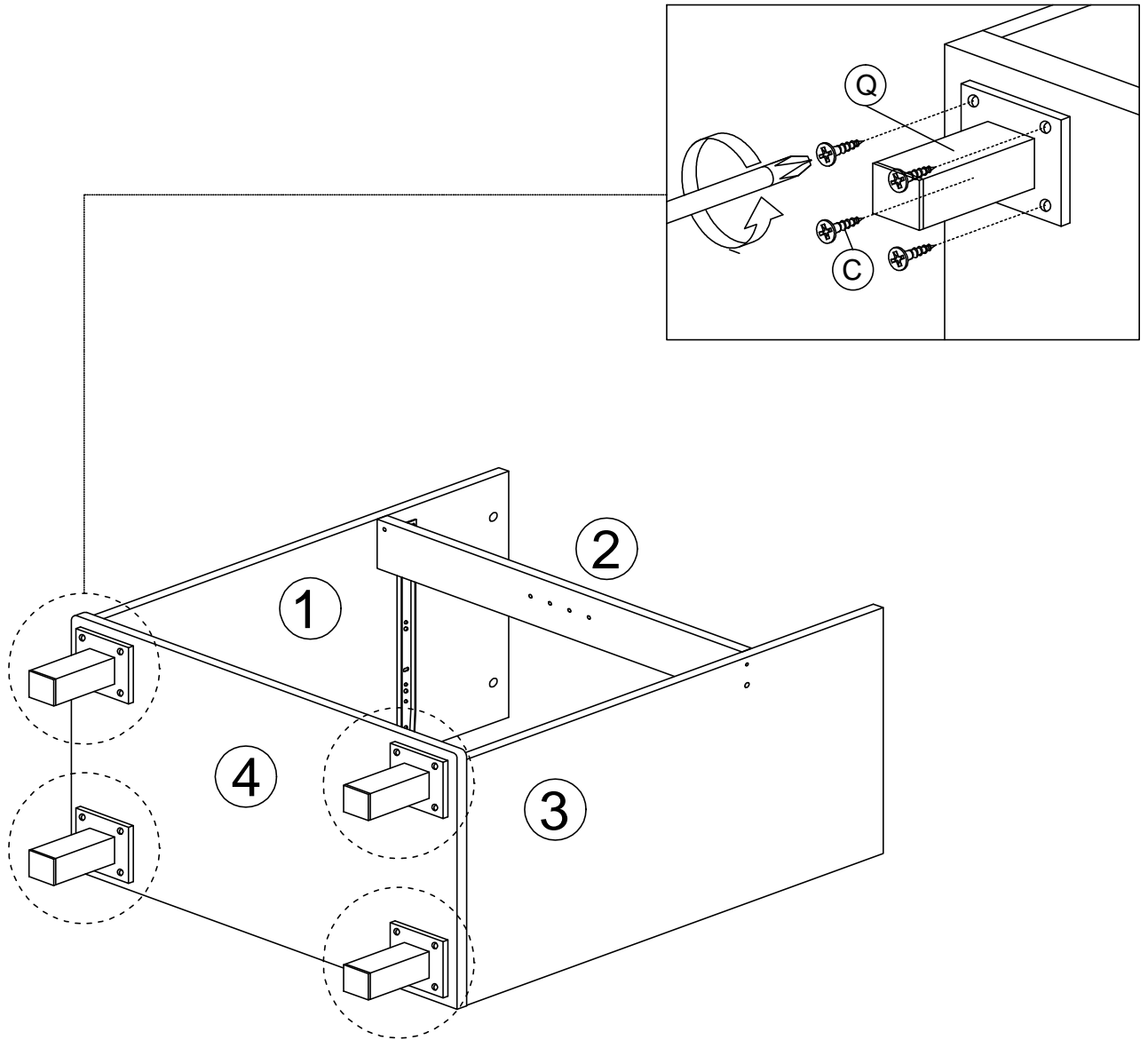


1. Fix panel (1 & 3) to panel (4) by inserting dowels (A) onto non-thru at panel (4). Then tighten 4 x csk M6x50mm (B) from the thru-holes of panel (4) to panel (1 & 3) with allen key (H).

Step 8

C		CB SCREW M3.5X16MM	16
---	---	--------------------	----



Q		PVC LEG	4
---	---	---------	---



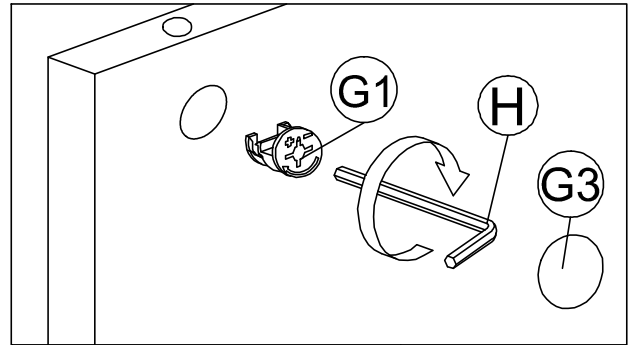
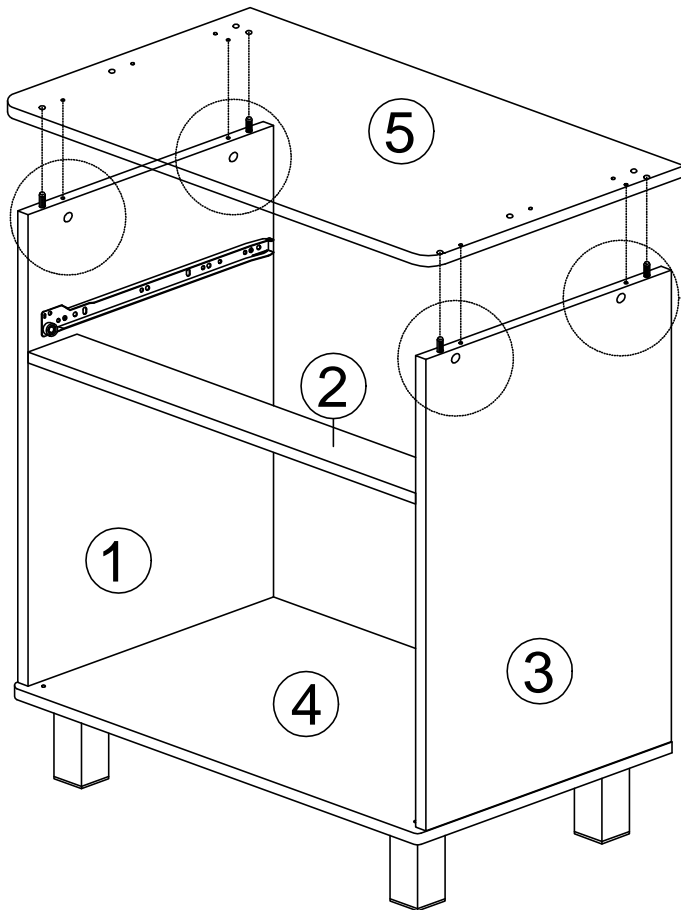
1. Fix 4 x leg (**Q**) onto panel (**4**)'s 4 side edges by using 16 x screws (**C**) with screwdriver to tighten it.

HODEDAH®

Step 9

G1		MINIFIX NUT	4
G3		MINIFIX CAP	4

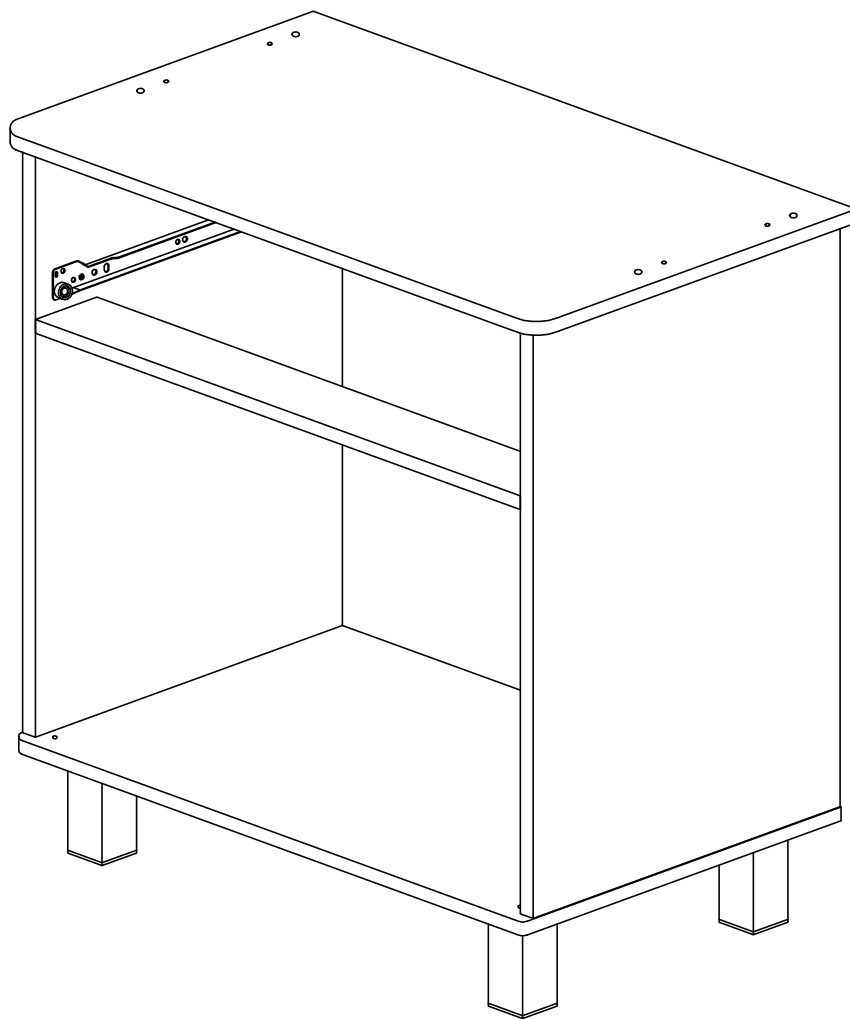
H		ALLEN KEY	1
---	---	-----------	---



1. Fix panel (5) to panel (1 & 3) by inserting dowel (A) onto non-thru holes at panel (5). Then insert 4 x minifix nut (G1) into panel (1 & 3) 's L-thru holes and using allen key (H) to tighten it. After that insert 4 x cap (G3).



HODEDAH®

PART 1

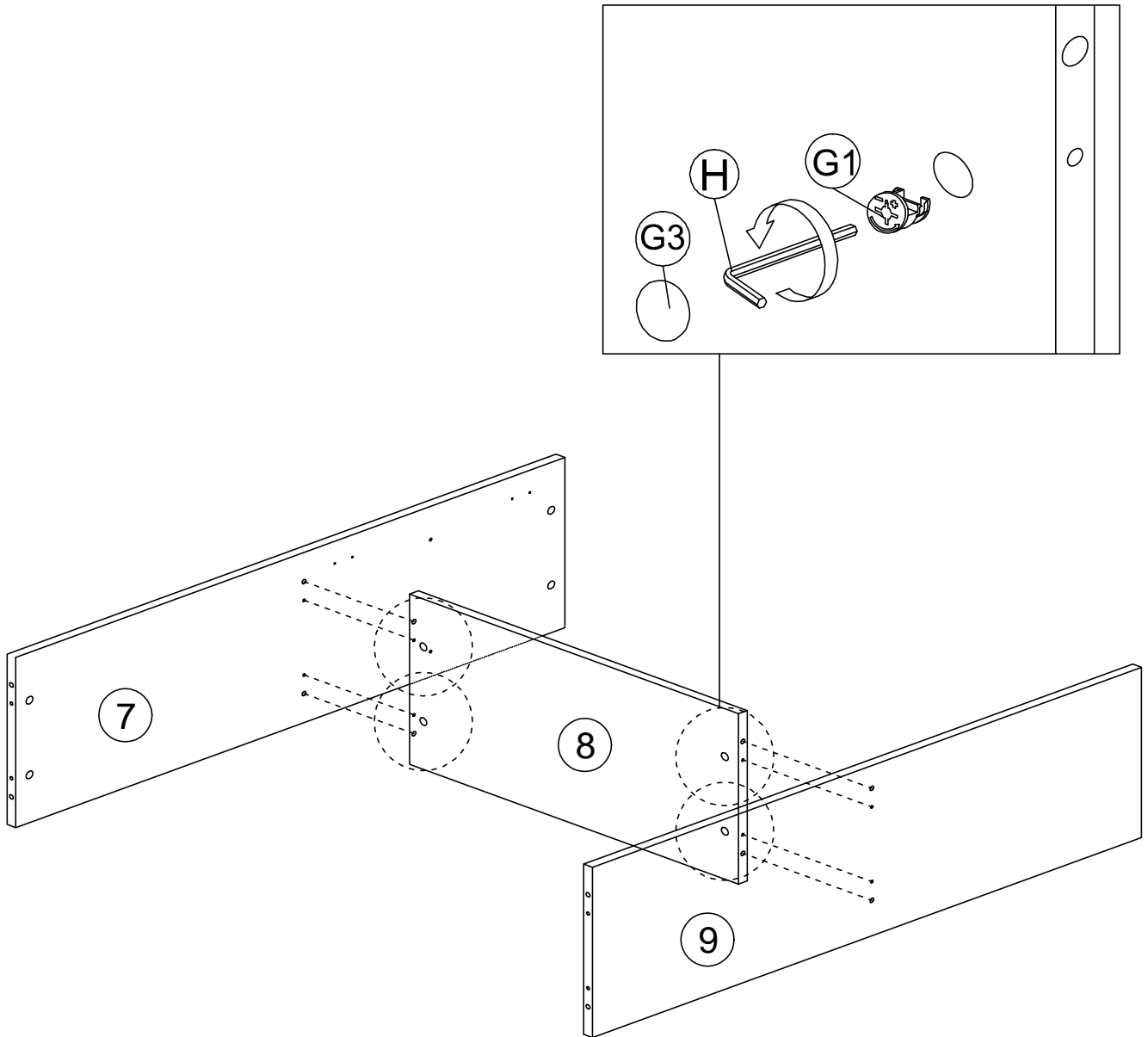


HODEDAH®

STEP 10

G1		MINIFIX NUT	4
G3		MINIFIX CAP	4



H		ALLEN KEY	1
---	---	-----------	---



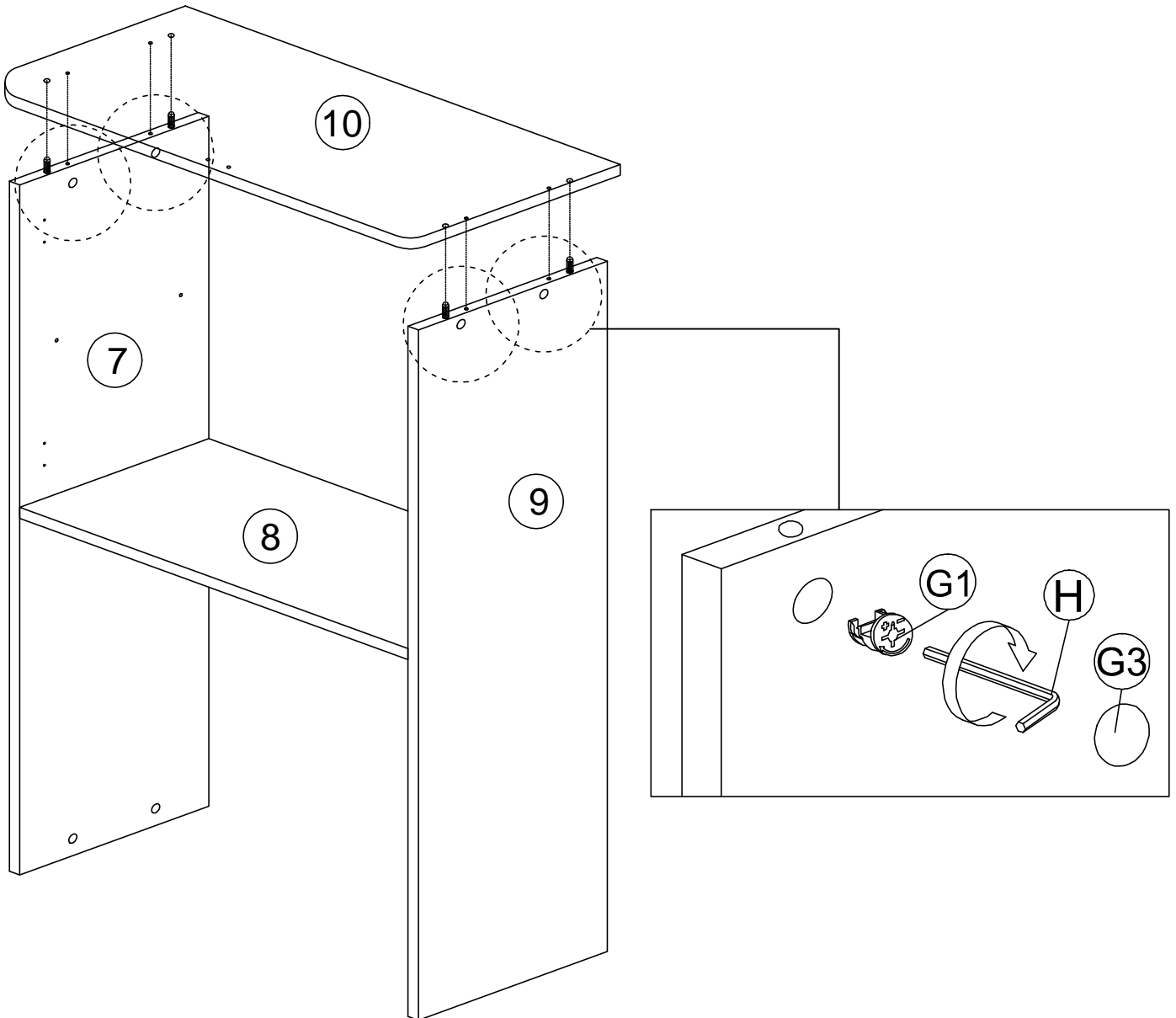
1. Fix panel (8) to panel (7 & 9) by inserting dowels (A) onto non-thru holes at panel (7 & 9). Then insert 4 x minifix nut (G1) onto panel (8) L-thru holes and tighten with allen key (H). After that, insert 4 x cap (G3).

HODEDAH®

STEP 11

G1		MINIFIX NUT	4
G3		MINIFIX CAP	4

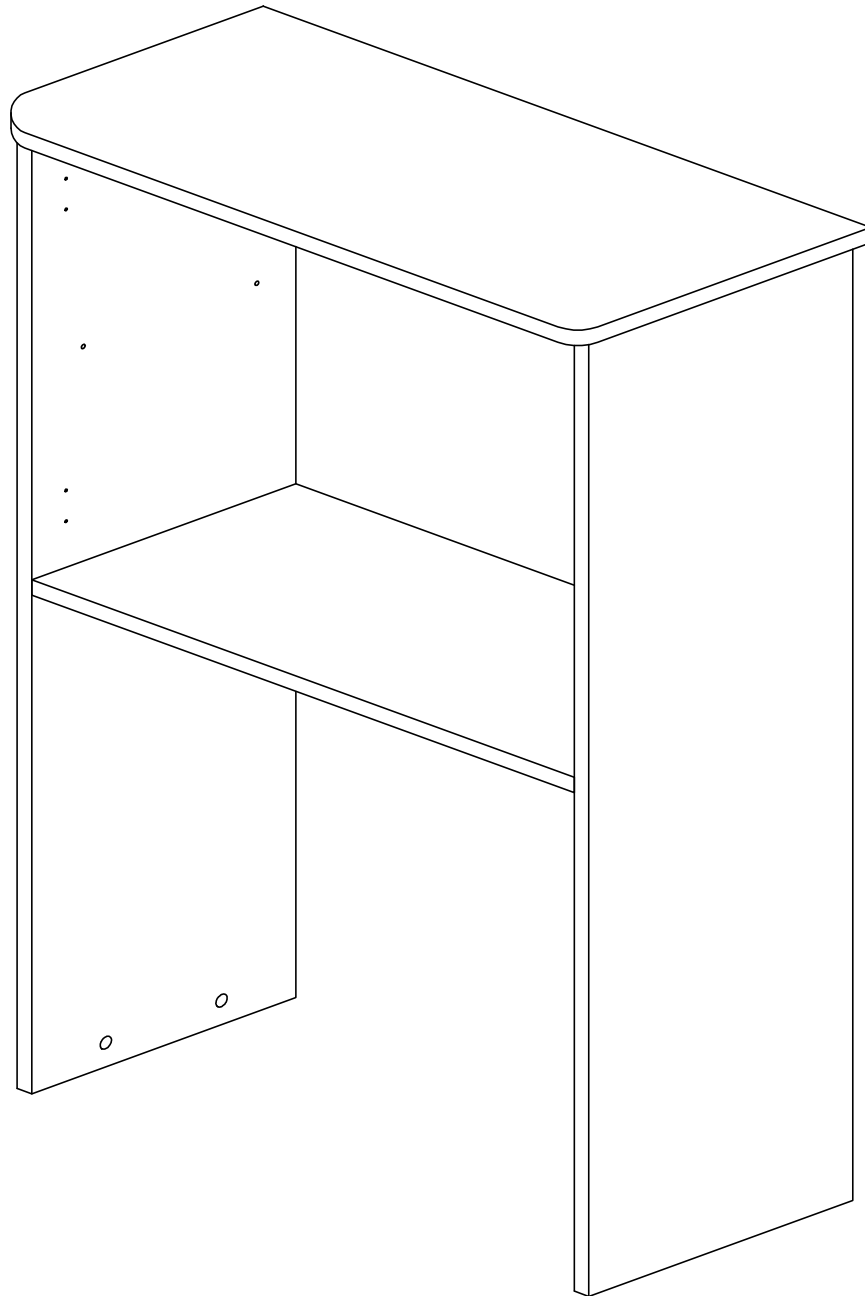
H		ALLEN KEY	1
---	---	-----------	---



1. Fix panel (10) to panel (7 & 9) by inserting dowels (A) onto non-thru holes at panel (10). Then insert 4 x minifix nut (G1) into panel (7 & 9) 's L-thru holes with allen key (H) to tighten it. After that insert 4 x cap (G3).



HODEDAH®

PART 2

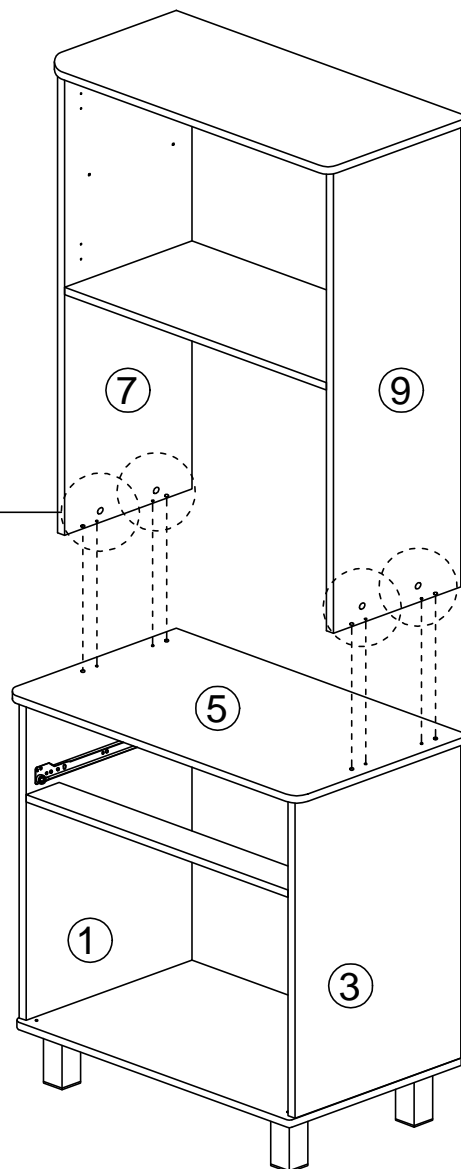
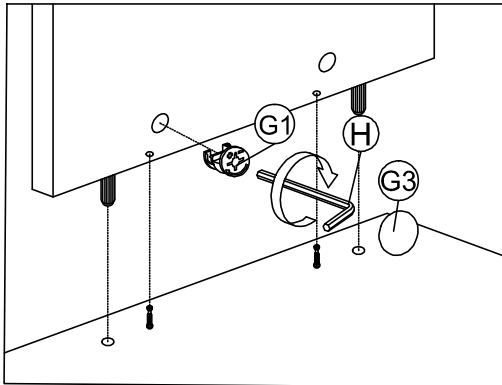


HODEDAH®

STEP 12

G1		MINIFIX NUT	4
G3		MINIFIX CAP	4

H		ALLEN KEY	1
---	---	-----------	---



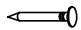
PART 2

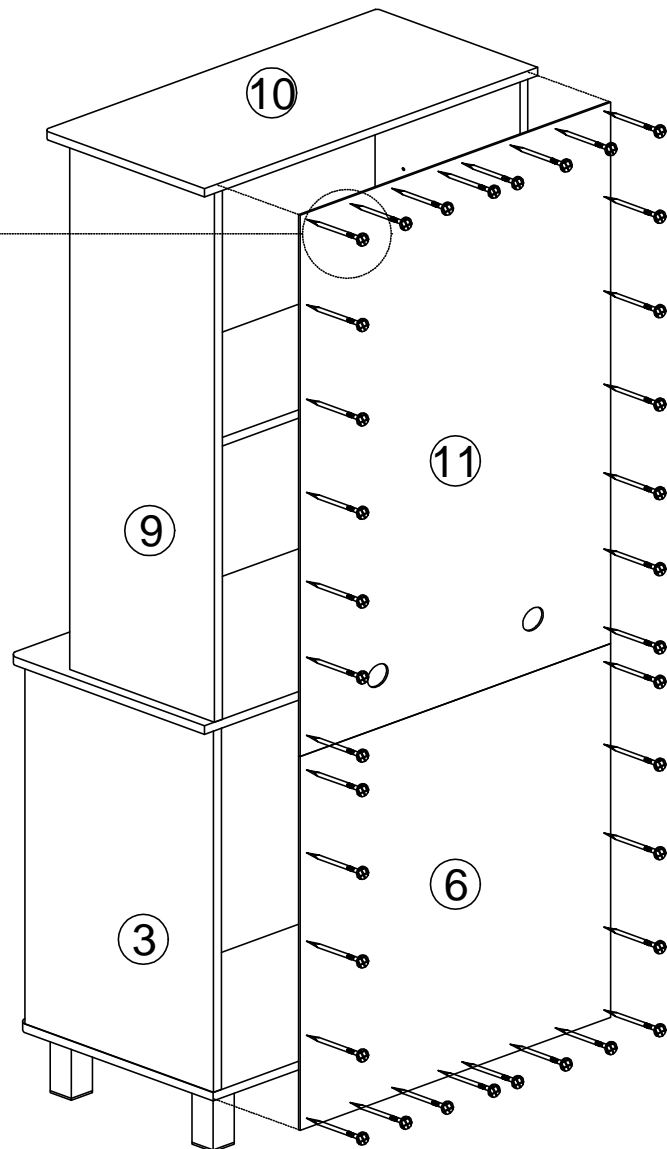
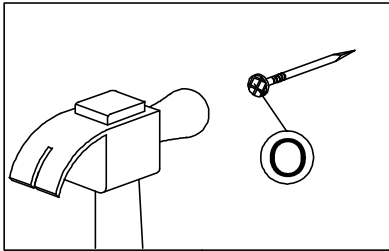
PART 1

1. Fix panel (7 & 9) to panel (5) by inserting dowel (A) onto non-thru holes at panel (5). Then insert 4 x minifix nut (G1) into panel (7 & 9) 's L-thru holes with allen key (H) to tighten it. After that insert 4 x cap (G3).

HODEDAH®

STEP 13

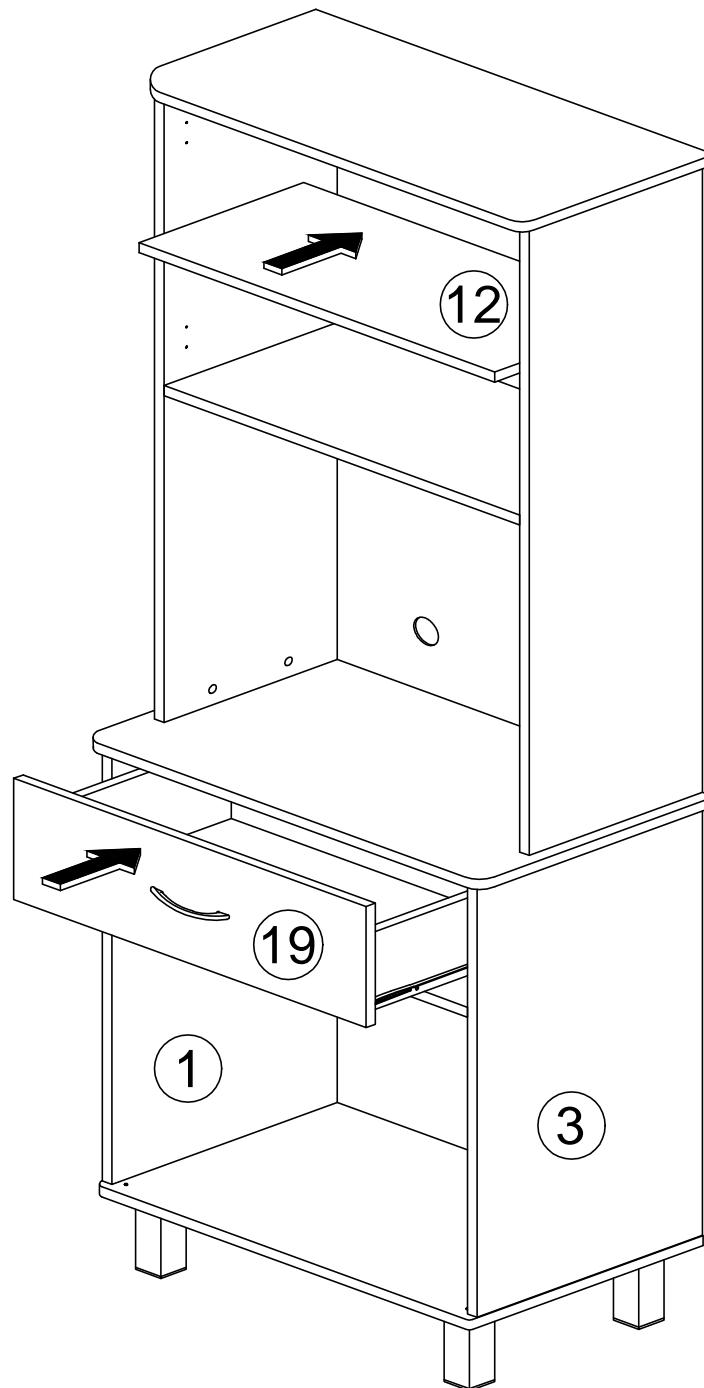
O		NAIL 5/8	36
---	---	----------	----



1. At face back position, place back panel (**6 & 11**) onto the back of the main unit, and align it properly for nailing. Use hammer to nail the nails (**O**) one by one as shown in diagram at 4 side edges. Gap between 2 nails should be about 55mm for all.

HODEDAH®

STEP 14



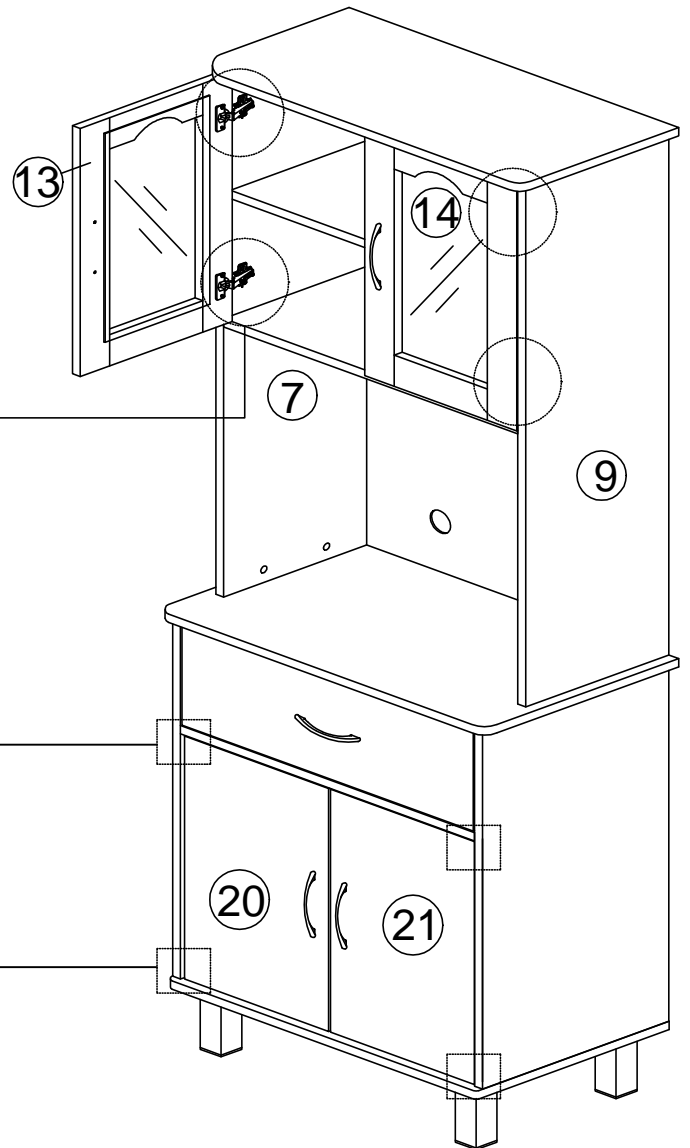
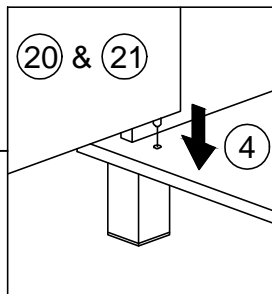
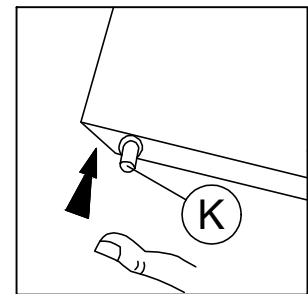
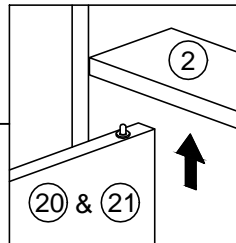
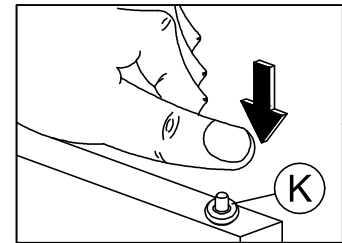
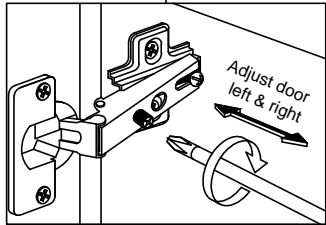
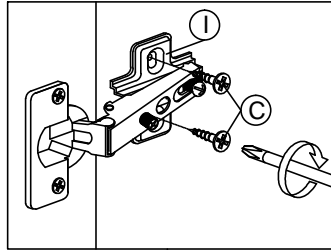
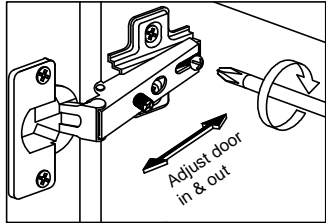
1. Take panel **(12)** and slide it on the 4 shelf support top as shown.
2. Then slide in the drawer **(19)** by slotting the rollers at each end of drawer slide **(R2)** onto the rail of drawer slide **(R1)** fixed at side panel **(1 & 3)**. Then slide the drawer in slowly.

HODEDAH®

Step 15

Final step...

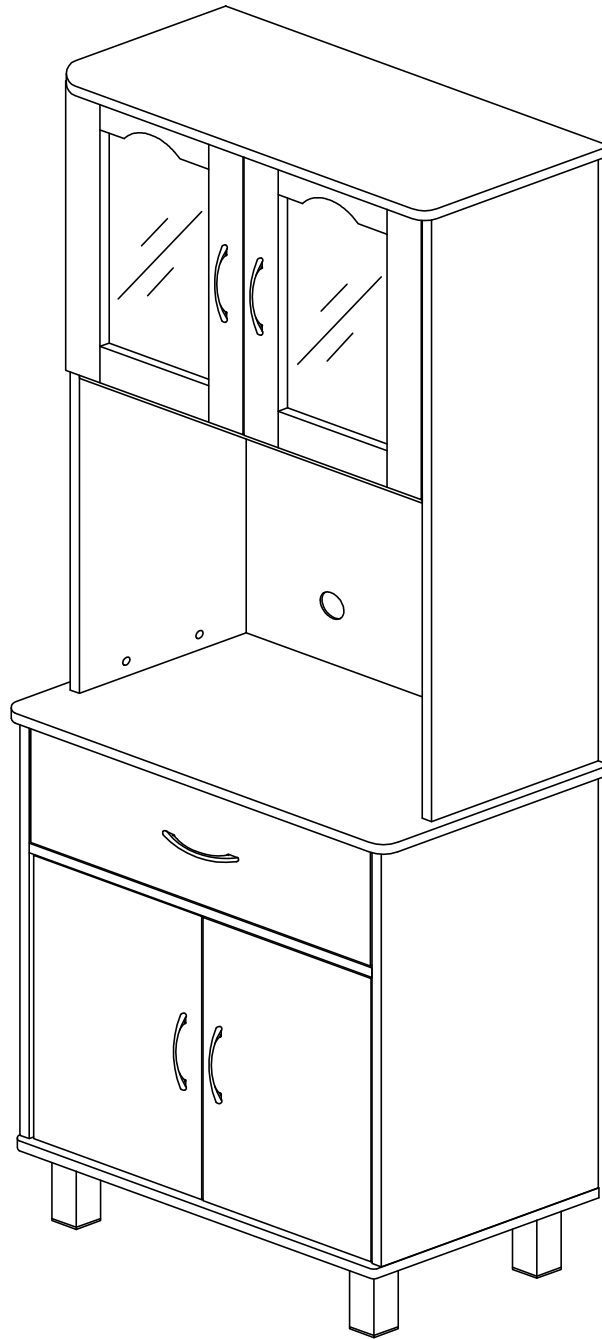
C		CB SCREW M3.5X16MM	8
---	---	--------------------	---



1. Fix panels (14 & 15) to panels (7 & 9) by hinges (I) and tighten 8 x screws (C) through hinges (I) thru holes.
2. Press door support spring (K) at panel (21 & 22) top & bottom side. Then insert to each holes at panel (4 & 2).

HODEDAH®

Job Complete...



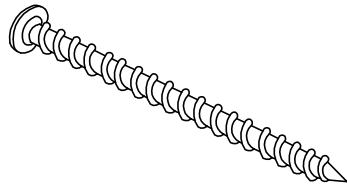
Enjoy & Thank you for purchasing from Hodedah!



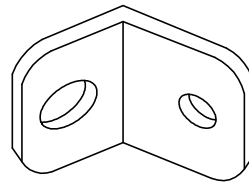
HODEDAH®

Installation of Anti-Tip Restraint

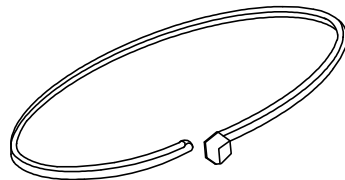
Kit includes:



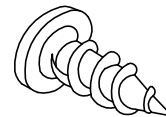
A (x2)
Long screw



B (x4)
Mounting bracket



C (x2)
Restraint strap



D (x2)
Short screw



WARNING



Serious or fatal crushing injuries can occur from furniture tip-over. To help Prevent tip-over:

- Install tip-over restraint provided
- Place heaviest items in the lower drawers
- Do not set TV's or other heavy objects on top of this product
- Never allow children to climb or hang on drawers, doors or shelves
- Never open more than one drawer at a time
- Do not defeat or remove the drawer interlock system

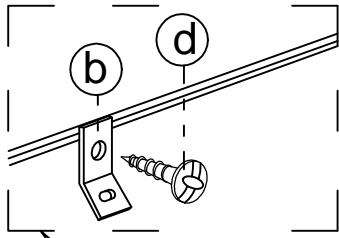
Use tip-over restraints may only reduce but not eliminate the risk of tip-over.

IMPORTANT: Use of this safety kit is mandatory. This restraint is not a substitute for proper adult supervision. Failure to detach this restraint before moving furniture may result in injury and damage. **If the safety kit is not in the box, please contact our consumer service team at Tel. 1 (718) 456 0505 or Email Support@Hodedah.com in order to obtain one before using the furniture.**

FITTING OF ANTI-TIP SAFETY STRAP

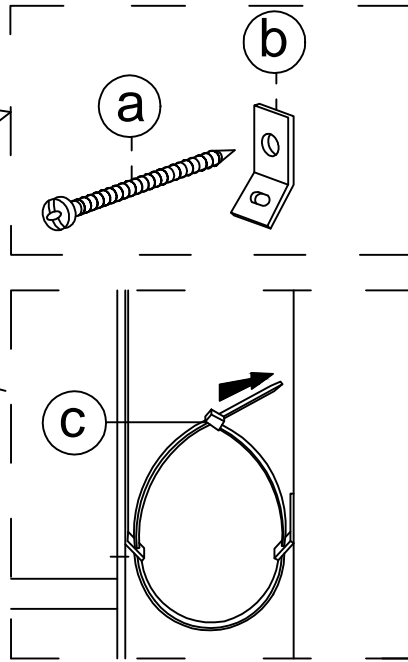
STEP 1:

- Attach the mounting bracket (b) to the furniture in the solid part below the top panel a few inches away from the side of the unit.
- Screw (d) through the smallest hole of (b).



STEP 2:

- Locate a stud in behind the have to
- Place the other mounting bracket (b) on the wall stud 2 inches below the mounting bracket secured to the back of your unit.
- Attach to the wall stud using (c) through the smaller hole of (b).



STEP 3:

- Repeat the same step a few inches away from the other side of the unit.
- Place the furniture into position so both mounting brackets are vertically in line.
- Lace the end of the restraint strap through the larger holes in each mounting bracket.
- Secure the straps and lock into place.

