

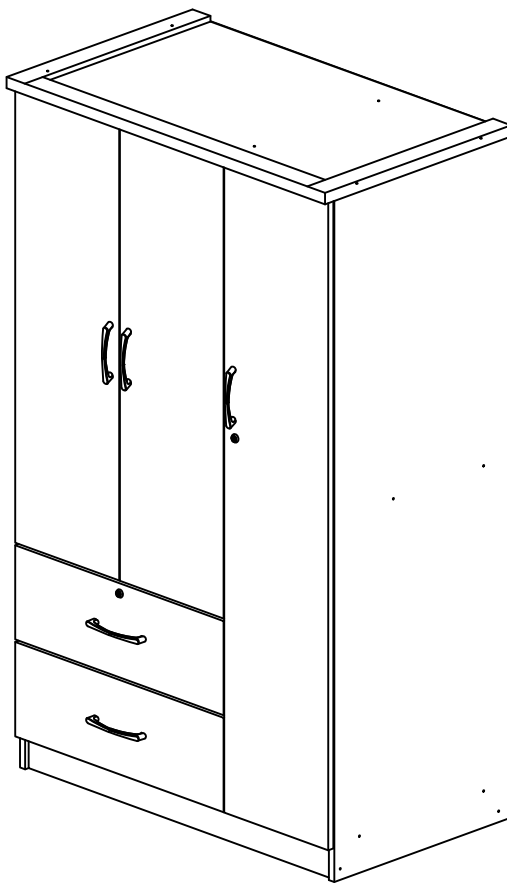
HODEDAH®

Assembly Instructions

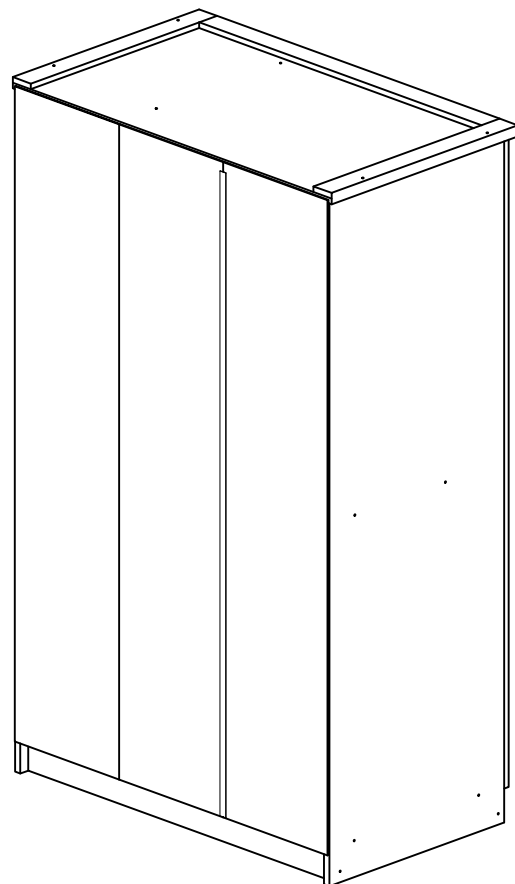
This instruction booklet contains important safety information, please read and keep for future reference.

ITEM # HID8020-G(MOP-SP)

3 DOOR WARDROBE



FRONT VIEW



BACK VIEW

Product Dimensions: Height 72.01" x Width 35.98" x Depth 20.98"

Weight Capacity Per Drawer 25lbs

Weight Capacity Per Shelf 25lbs



Phone

Mon - Fri | 9:30 am to 5pm EST

1 - 855 - HODEDAH

1 - 855 - 463 -3324



Email

Send us an email

Support@Hodedah.com



Website

Visit our website to open a case

www.Hodedah.com

Questions, need parts, we are here to help!

FOR PROMPT, RELIABLE SERVICE PLEASE HAVE YOUR INSTRUCTION MANUAL READY



DO NOT RETURN PRODUCT TO THE STORE

If parts are missing or damaged please contact our customer service team and we will gladly ship your replacement parts FREE of charge within **ONE YEAR** of purchase!

WARRANTY

Hodedah warrants this product to be free from defects in materials and workmanship and agrees to remedy any such defect. This warranty covers one year from the date of original purchase. This is solely limited to replacement of defective parts and no assembly for labor is included. This warranty does not apply to any product that has been improperly assembled, subjected to misuse, abuse or which has been altered or repaired in any way. To obtain warranty service, original purchaser must present the following; original bill of sale, date of purchase, where the product was purchased and images if applicable. Components replaced warranted through the remainder of the original warranty only. The defective part will be replaced without charge, subject to the terms and conditions described above.

WARNING

- This product contains small parts, keep away from children.
- This product contains plastic bags, keep away from children.
- Serious or fatal crushing injuries can occur from furniture tip-over. To help prevent this, place heaviest items on the lower shelves and drawers. Do not set heavy objects on top shelves and drawers.
- Never allow children to climb or hang on drawers, shelves and doors.
- Never open more than one drawer at a time.
- The use of tip-over restraints may reduce but not eliminate the risk of tip-over.

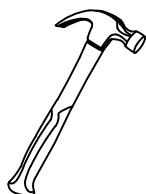
- Never open more than one drawer at a time.
- The use of tip-over restranits may reduce but not eliminate the risk of tip-over.

Let's get started...

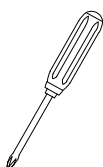
Helpful hints, read before beginning assembly

- Make sure you receive all boxes. If your item is packed in one box, box count will read 1 of 1, likewise if your item is packed in two boxes, box count will read 1 of 2 and second box will read 2 of 2.
- Read each step carefully. It is very important that each step is performed in the correct order. If these steps are not followed in sequence, assembly difficulties will occur.
- Work in a spacious level area, preferably carpet, near the place the unit will be used.
- **DO NO USE** power tools to assemble your furniture, it will strip and damage parts.
- Your package should include the following hardware and parts. Parts are labeled or stamped on the raw edge. Please inspect contents to ensure you have received all components. **If you are missing any hardware or parts please contact customer service right away before assembly.**

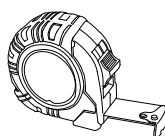
Assembly Tools Required (not supplied)



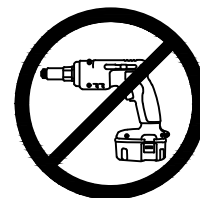
Hammer



Phillips Screwdriver



Tape Measure

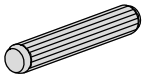
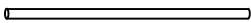


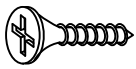

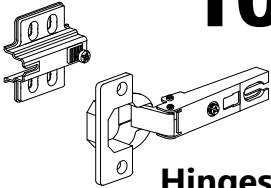
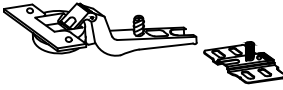
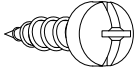
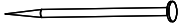

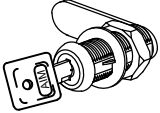


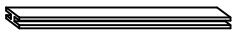


No Power Tools Needed





Product Care and Maintenance

- Wipe clean with dry soft cloth, never use chemicals or cleaning products they will damage the finish.
- Avoid placing your furniture in direct sunlight, as sunlight causes fading.
- Never push, drag or pull your furniture, to move to a new location carefully with two or more people carry the unit to its new location.
- Avoid extreme changes in temperature by arranging furniture away from radiators, heat and air vents and air conditioning units.

Hardware List

<p>2</p>  <p>Shelf Support</p>	<p>QTY</p> <input type="checkbox"/> <p>8 Pcs</p>	<p>3</p>  <p>Pvc Dowel</p>	<p>QTY</p> <input type="checkbox"/> <p>34 Pcs</p>	<p>4</p>  <p>Hanging Rod</p>	<p>QTY</p> <input type="checkbox"/> <p>1 Pc</p>
<p>5</p>  <p>V-Bracket</p>	<p>QTY</p> <input type="checkbox"/> <p>2 Pcs</p>	<p>6</p>  <p>Allen Key</p>	<p>QTY</p> <input type="checkbox"/> <p>1 Pc</p>	<p>7</p>  <p>Screw M6 x 40mm</p>	<p>QTY</p> <input type="checkbox"/> <p>22 Pcs</p>
<p>8</p>  <p>Screw M3.5 x 14mm *For # (19) Drawer Slides</p>	<p>QTY</p> <input type="checkbox"/> <p>56 Pcs</p>	<p>9</p>  <p>Screw M4 x 32mm</p>	<p>QTY</p> <input type="checkbox"/> <p>20 Pcs</p>	<p>10</p>  <p>Hinges</p>	<p>QTY</p> <input type="checkbox"/> <p>6 Sets</p>
<p>11</p>  <p>Hinges</p>	<p>QTY</p> <input type="checkbox"/> <p>3 Sets</p>	<p>12</p>  <p>Screw M 10 X 1/2 MM</p>	<p>QTY</p> <input type="checkbox"/> <p>18 Pcs</p>	<p>13</p>  <p>Nail</p>	<p>QTY</p> <input type="checkbox"/> <p>100 Pcs</p>
<p>14</p>  <p>Screw M6 x 50mm</p>	<p>QTY</p> <input type="checkbox"/> <p>4 Pcs</p>	<p>15</p>  <p>Lock</p>	<p>QTY</p> <input type="checkbox"/> <p>2 Pcs</p>	<p>16</p>  <p>Pvc Cap</p>	<p>QTY</p> <input type="checkbox"/> <p>26 Pcs</p>
<p>17</p>  <p>Screw M6.2 x 10mm *For # (18) Drawer Slides</p>	<p>QTY</p> <input type="checkbox"/> <p>8 Pcs</p>	<p>20</p>  <p>H-Profile</p>	<p>QTY</p> <input type="checkbox"/> <p>1 Pc</p>	<p>21</p> <p>Anti-Tip Kit (separate from hardware pack)</p>	<p>QTY</p> <input type="checkbox"/> <p>1 PK</p>

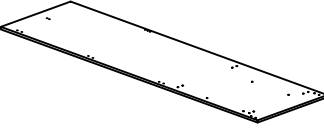
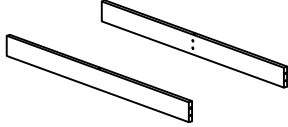
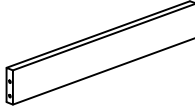
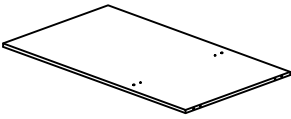
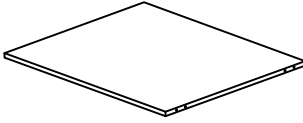
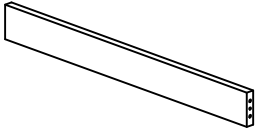
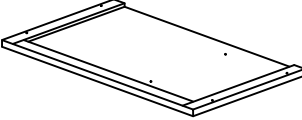
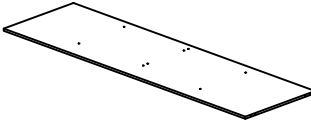
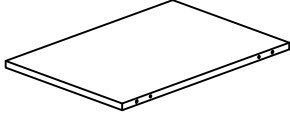
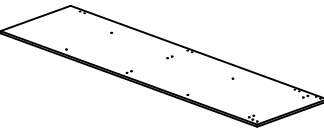
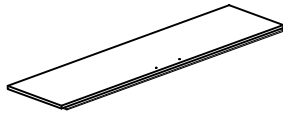
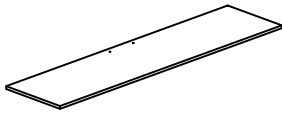
Accessories

	<p>18</p> <p>Drawer Slide - A</p> <p>*Fix On Side Panels (A) & (G)</p>	<p>QTY</p> <p><input type="checkbox"/></p> <p>2 Sets</p>
	<p>19</p> <p>Drawer Slide - B</p> <p>*Fix On Side Panels (Q)</p>	<p>QTY</p> <p><input type="checkbox"/></p> <p>2 Sets</p>
<p>1</p>  <p>Handle</p>  <p>Screw M4 X 32mm</p>	<p>QTY</p> <p><input type="checkbox"/></p> <p>5 Pcs</p> <p>10 Pcs</p>	

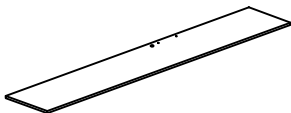
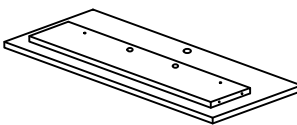
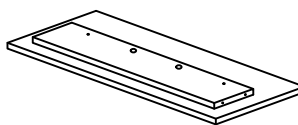
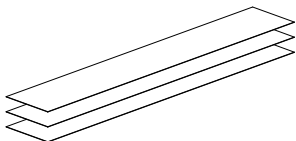
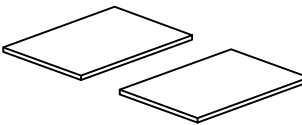
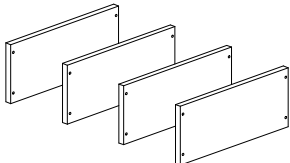
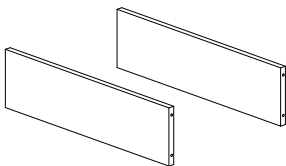
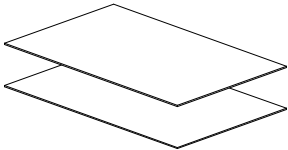
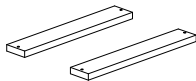
Important

1. Before you throw the package, please use the Check Box to identify the parts and hardware to ensure that you have everything you need.
2. Check and measure the bolts before applying them to parts.
3. Do not completely fasten all hardware until the entire assembly is complete, unless indicated otherwise.

Parts List

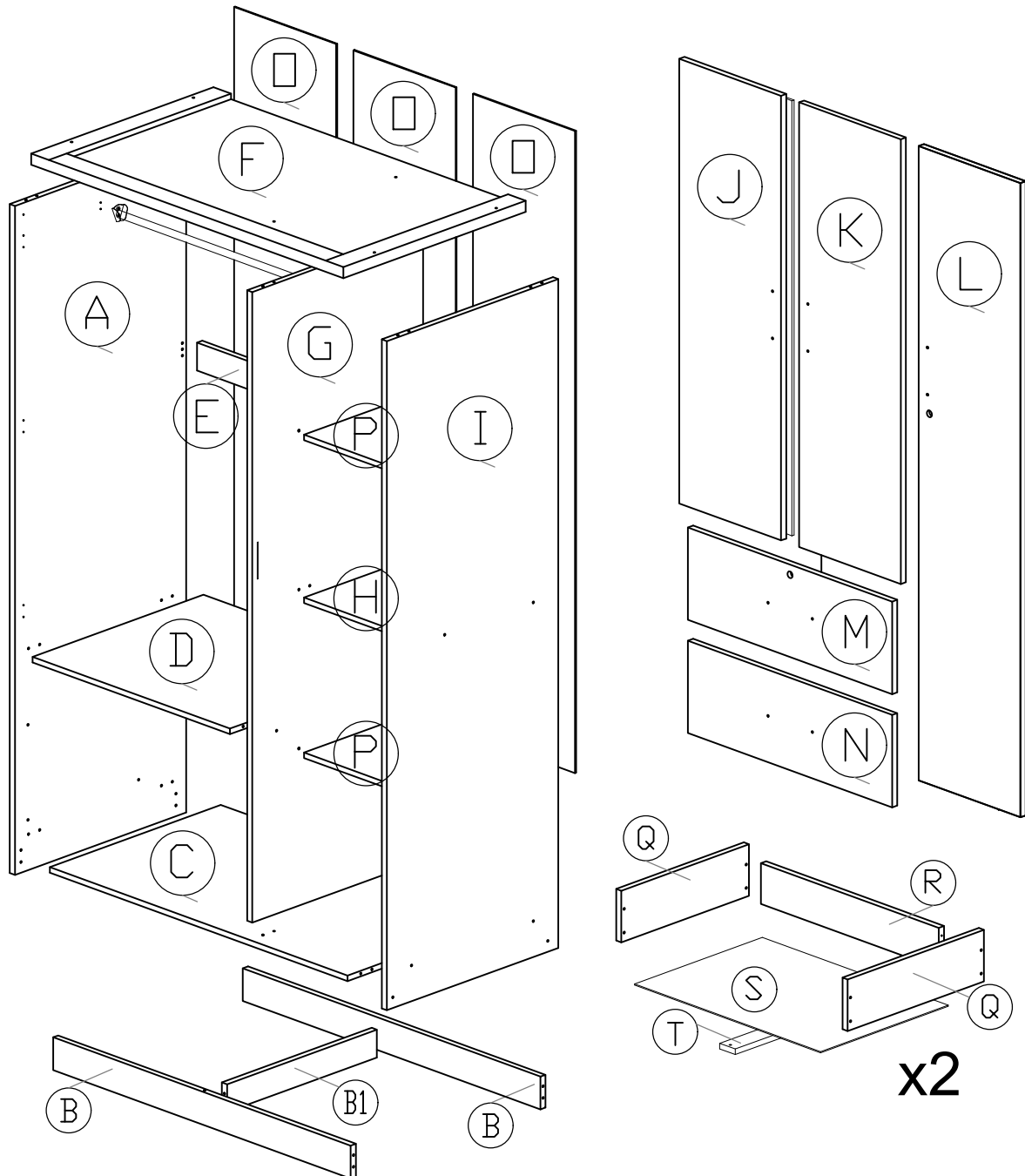
<p>A Left Side Panel 1816 x 495 x 15mm</p> 	<p>QTY 1 Pc</p>	<p>B Kick Panels 860 x 89 x 15mm</p> 	<p>QTY 2 Pcs</p>	<p>B1 Kick Panels 432 x 76 x 15mm</p> 	<p>QTY 1 Pc</p>
<p>C Bottom Panel 860 x 494 x 15mm</p> 	<p>QTY 1 Pc</p>	<p>D Partition Panel 570 x 493 x 15mm</p> 	<p>QTY 1 Pc</p>	<p>E Back Strengthening Panel 570 x 76 x 15mm</p> 	<p>QTY 1 Pc</p>
<p>F Top Panel 902 x 527 x 30mm</p> 	<p>QTY 1 Pc</p>	<p>G Stand Panel 1712 x 494 x 15mm</p> 	<p>QTY 1 Pc</p>	<p>H Partition Panel 275 x 394 x 15mm</p> 	<p>QTY 1 Pc</p>
<p>I Right Side Panel 1816 x 495 x 15mm</p> 	<p>QTY 1 Pc</p>	<p>J Left Door 1207 x 293 x 15mm</p> 	<p>QTY 1 Pc</p>	<p>K Mid Door 1207 x 293 x 15mm</p> 	<p>QTY 1 Pc</p>

Parts List

<p>L Right Door 1722 x 293 x 15mm</p> 	<p>QTY 1 Pc</p>	<p>M Upper Drawer Front Panel 590 x 253 x 15mm</p> 	<p>QTY 1 Pc</p>	<p>N Lower Drawer Front Panel 590 x 253 x 15mm</p> 	<p>QTY 1 Pc</p>
<p>O Back Panels 1739 x 295 x 3mm</p> 	<p>QTY 3 Pcs</p>	<p>P Adjust Panels 275 x 394 x 15mm</p> 	<p>QTY 2 Pcs</p>	<p>Q Left Drawer Side Panels 338 x 140 x 15mm</p> 	<p>QTY 4 Pcs</p>
<p>R Drawer End Panels 513 x 138 x 15mm</p> 	<p>QTY 2 Pcs</p>	<p>S Drawer Base Panels 540 x 338 x 3mm</p> 	<p>QTY 2 Pcs</p>	<p>T Drawer Base Supporting Panels 338 x 51 x 15mm</p> 	<p>QTY 2 Pcs</p>

HODEDAH®

The Breakdown



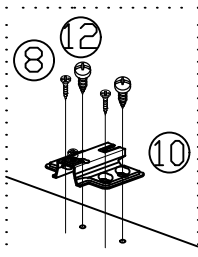
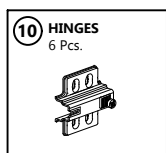
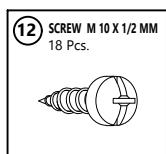
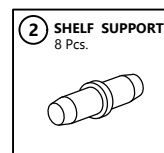
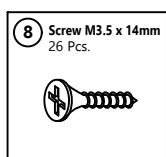
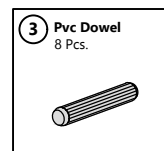
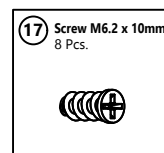
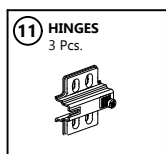
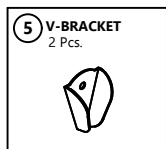
Pre - Assembly

1

Insert the PVC dowels ③ to panels A, I and G's non-thru holes, using hammer gently to tap them in.

2

Place the drawer slide A ⑱ onto the 2 holes area shown at side panel A and G. Then fasten it with 2 screws ⑰ and 1 screw ⑧.

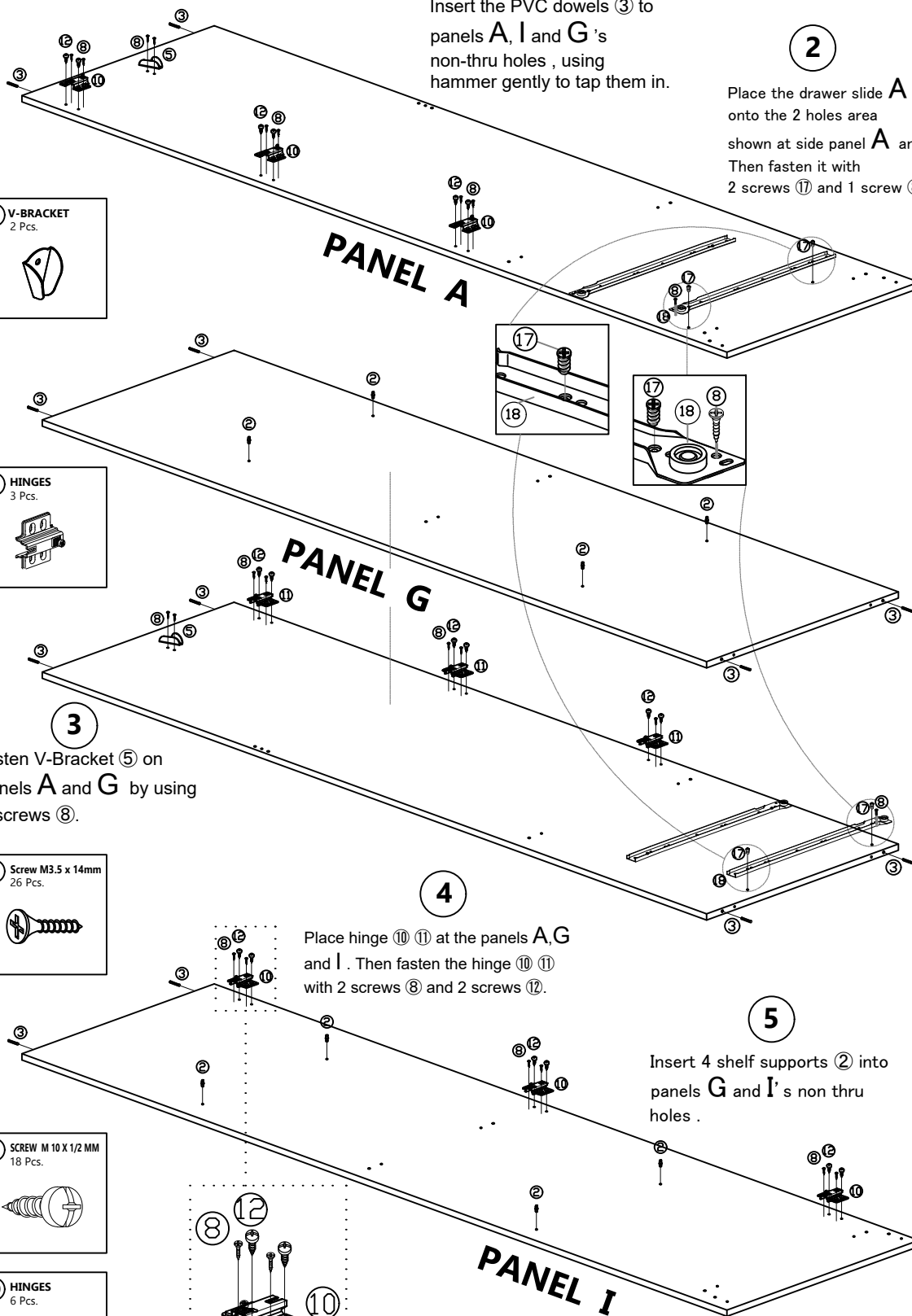


4

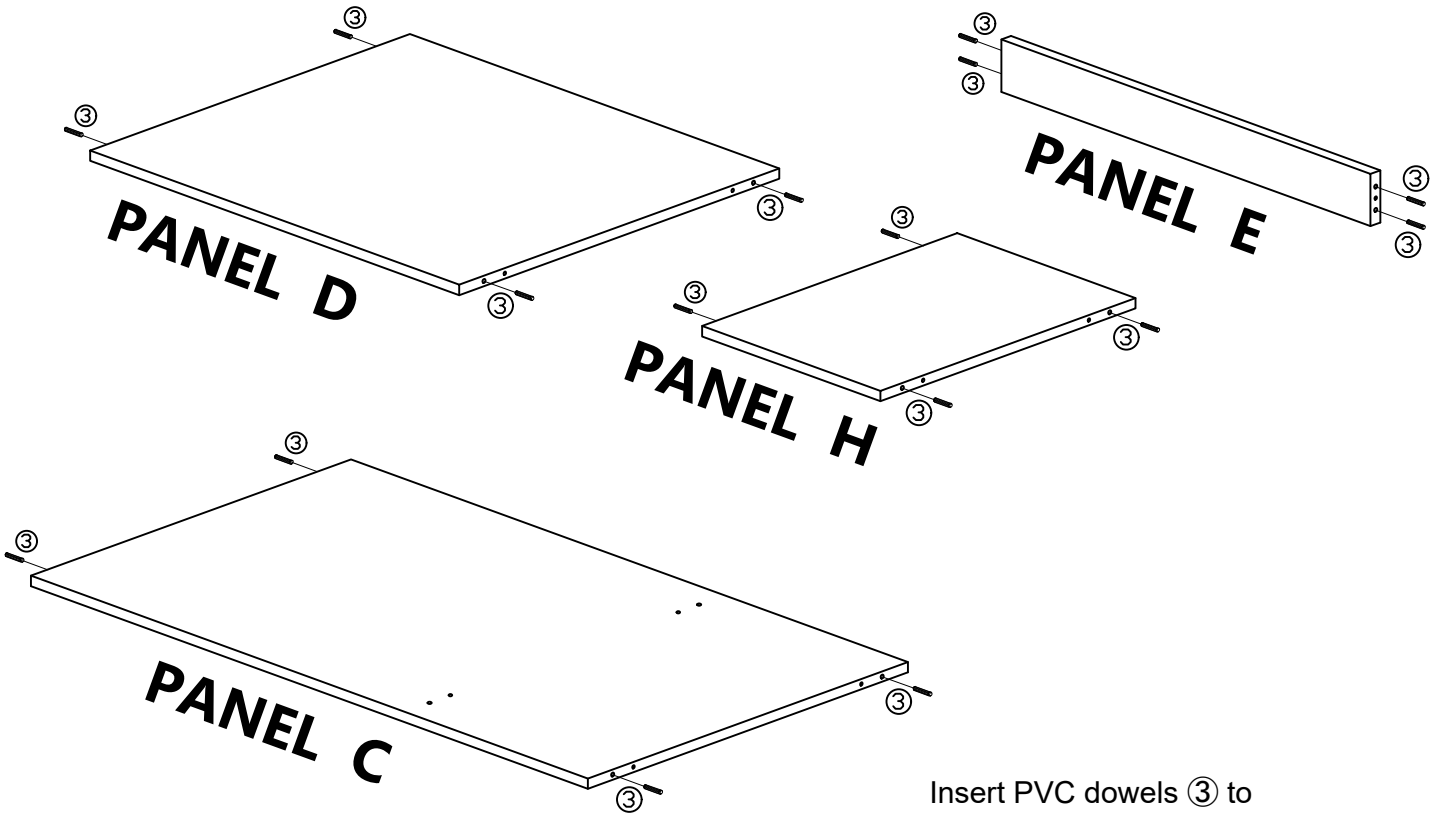
Place hinge ⑩ ⑪ at the panels A, G and I. Then fasten the hinge ⑩ ⑪ with 2 screws ⑧ and 2 screws ⑫.

5

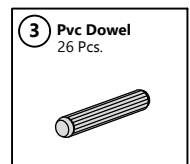
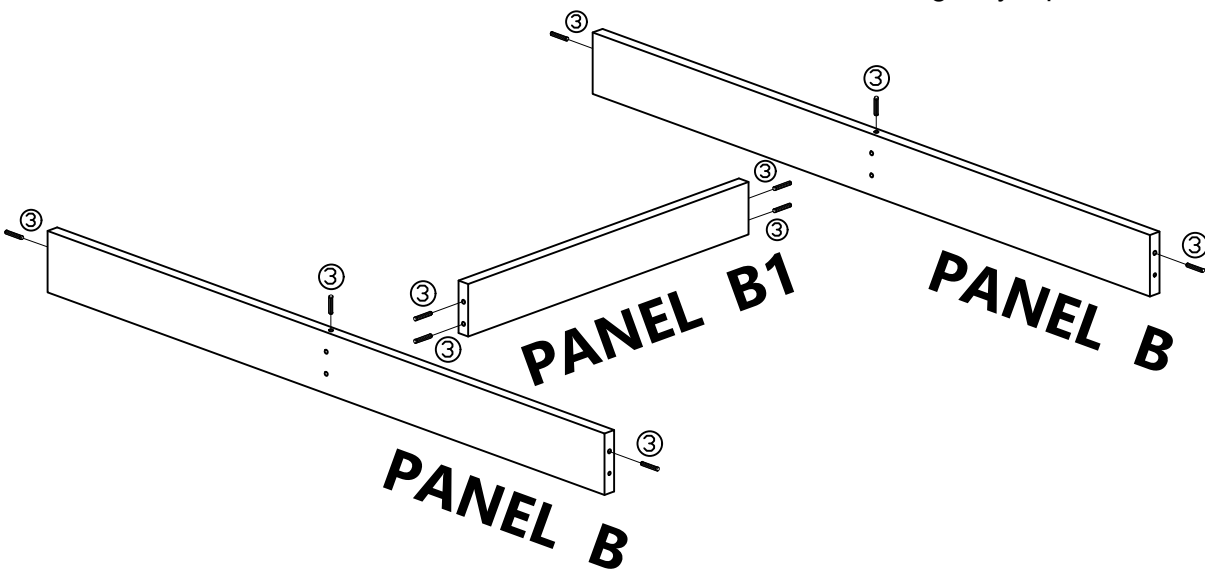
Insert 4 shelf supports ② into panels G and I's non thru holes.



Pre - Assembly

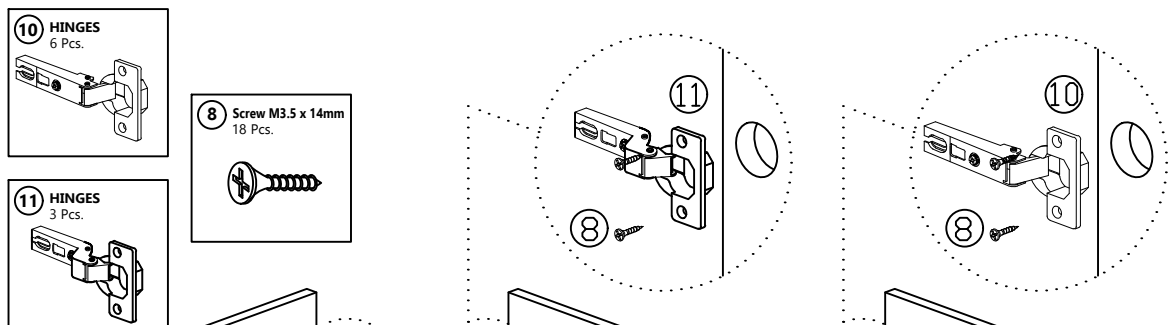


Insert PVC dowels ③ to panels B, B1, C, D, E, H, Q, R and U's non-thru holes, using hammer to gently tap them in.



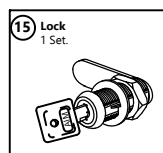
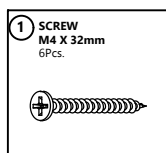
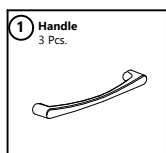
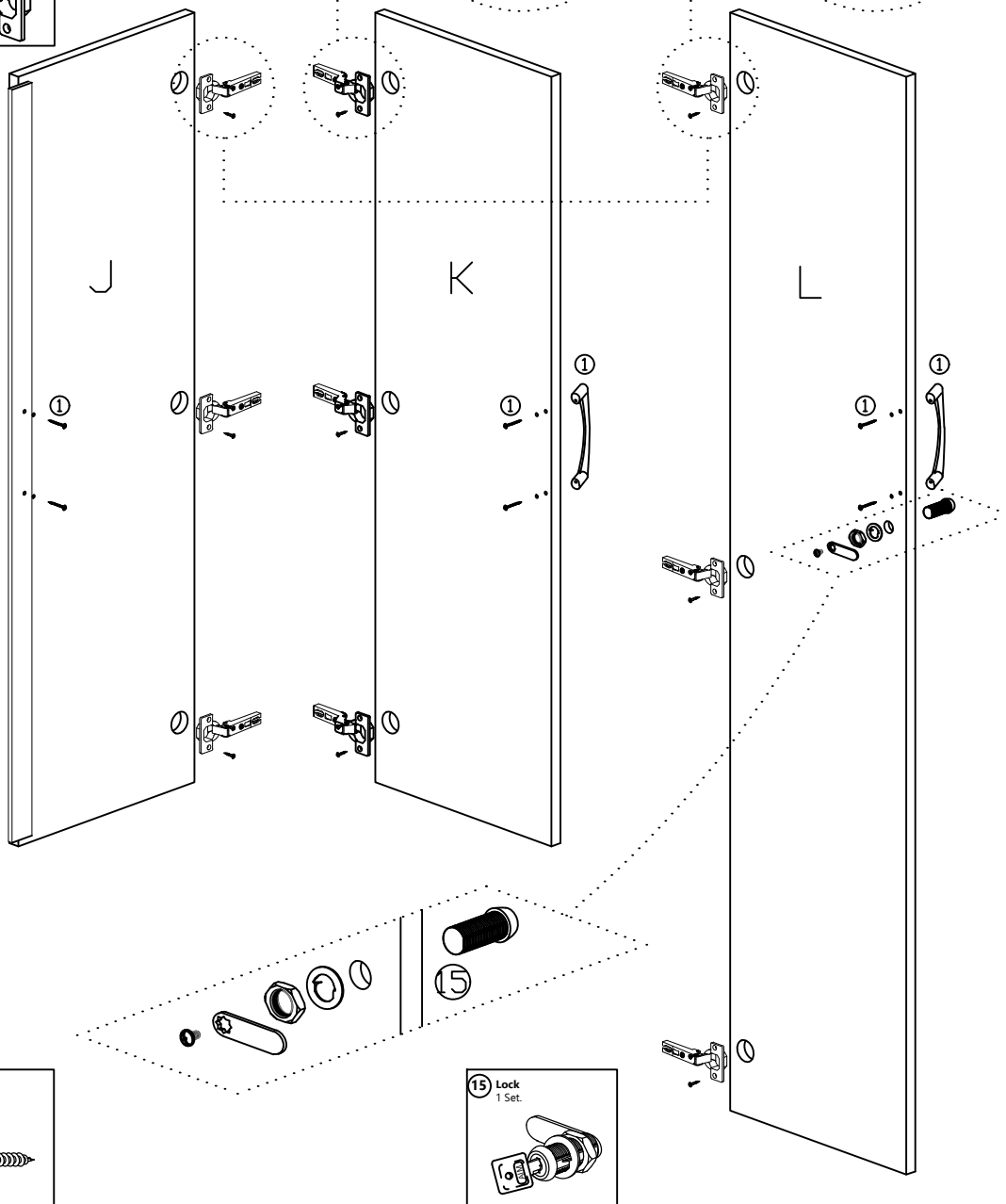
Door Panel Assembly

* Insert 6 Hinges ⑩ and 3 hinges ⑪ into door panels J, K and L 's non-thru hole , then fasten screws ⑧ through hinges ⑩ and ⑪ 's thru hole.

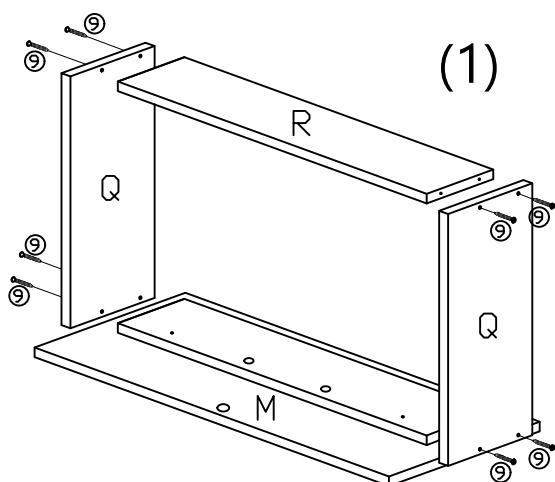


-Fasten 2 screws ① from inner side of panels J, K and L into the handle ① holes.

Disassemble the lock ⑮ into 5 parts ,then install the lock ⑮ by insert the lock ⑮ 's cylinder into middle thru hole of door panel L, then fix the lock up.

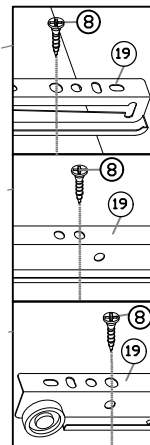


Assembly Of Top Drawer



(1)

- Place panel **Q** on each side of panel **M**.
- Then, fasten screw **9** to panel **Q**'s lower thru holes to fix them onto panel **M**.
- Next fasten screw **9** to panel **Q**'s upper thru holes to fix up to the panel **R**.



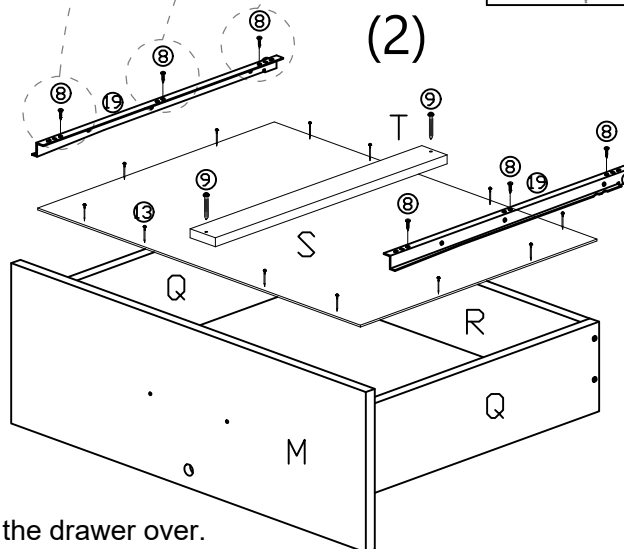
-Flip drawer with bottom side up, place panel **S** onto the drawer and align properly. Then nail the nails provided with hammer on the border of panel **S**. The gap between 2 nails is about 100mm.

-After that, place a drawer slide **B** **19** with the small white roller facing outward and with other end tip touching panel **M** onto each bottom side (angle) edge of panel **Q**.

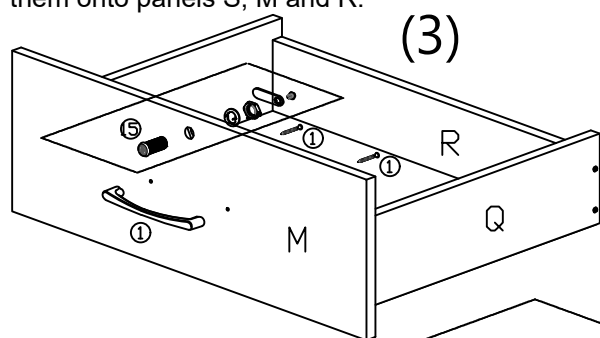
Then fasten 3 screws **8** on each drawer slide **B** **19**.

-Then tighten screw **9** to panels **T**'s thru holes to fix them onto panels **S**, **M** and **R**.

-Then tighten screw **9** to panels **T**'s thru holes to fix them onto panels **S**, **M** and **R**.



(2)

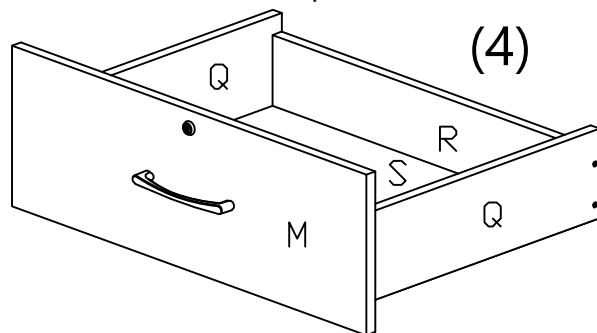
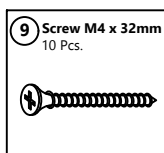
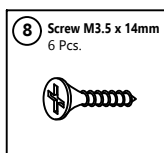
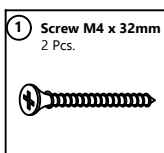
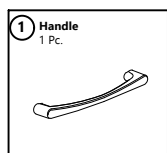
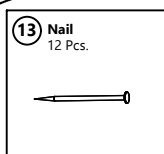
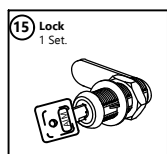


(3)

-Flip the drawer over.

-fasten 2 screw **1** from inner side of panel **M** into the handle **1** holes.

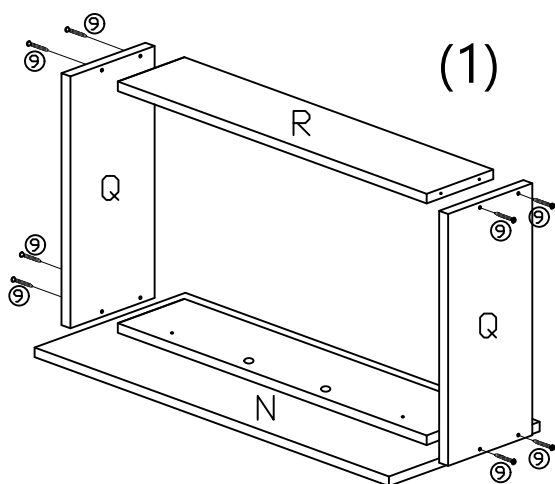
-Disassemble the lock **15** into 5 parts, then install the lock **15** by insert the lock **15**'s cylinder into middle thru hole of panel **M**, then fix the lock up.



(4)

COMPLETED

Assembly Of Bottom Drawer

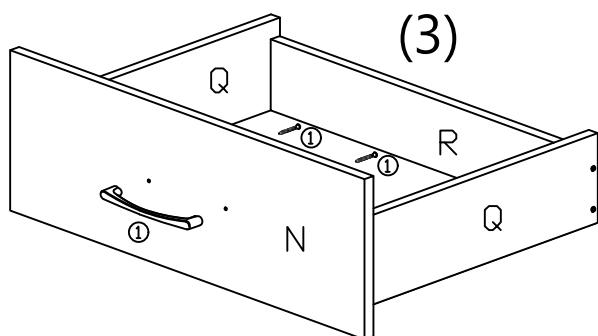
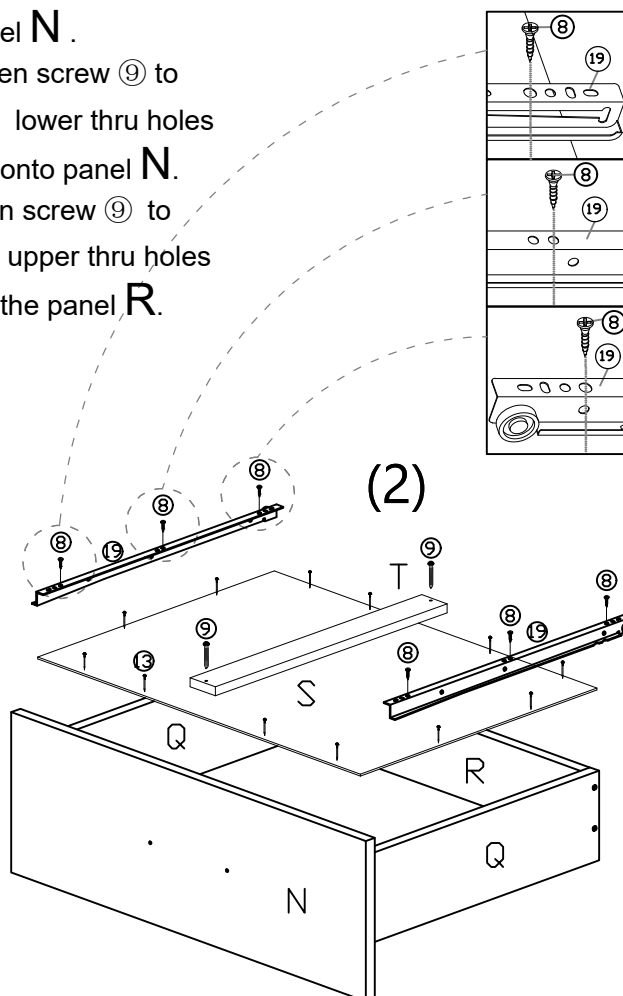


(1)

- Place panel **Q** on each side of panel **N**.
- Then, fasten screw ⑨ to panel **Q**'s lower thru holes to fix them onto panel **N**.
- Next fasten screw ⑨ to panel **Q**'s upper thru holes to fix up to the panel **R**.

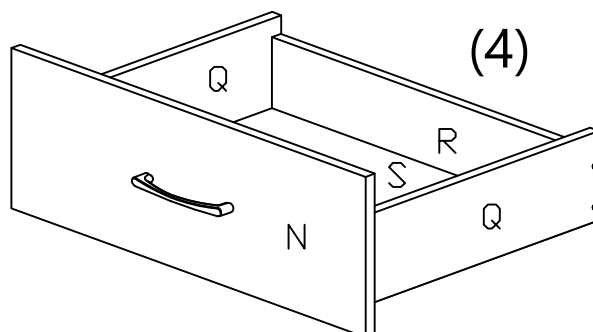
-Flip drawer with bottom side up, place panel **S** onto the drawer and align properly. Then nail the nails provided with hammer on the border of panel **S**. The gap between 2 nails is about 100mm.

-After that, place a drawer slide **B** ⑱ with the small white roller facing outward and with other end tip touching panel **N** onto each bottom side (angle) edge of panel **Q**. Then fasten 3 screws ⑧ on each drawer slide **B** ⑱. Then tighten screw ⑨ to panels **T**'s thru holes to fix them onto panels **S**, **N** and **R**.

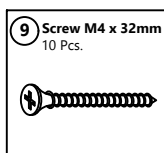
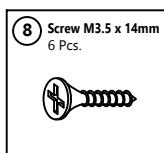
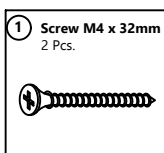
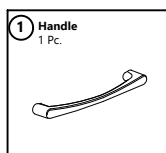
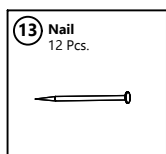


-Flip the drawer over.

-fasten 2 screw ① from inner side of panel **N** into the handle ① holes.



COMPLETED



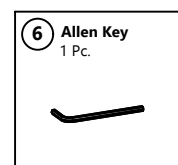
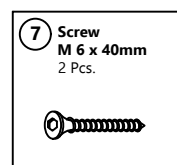
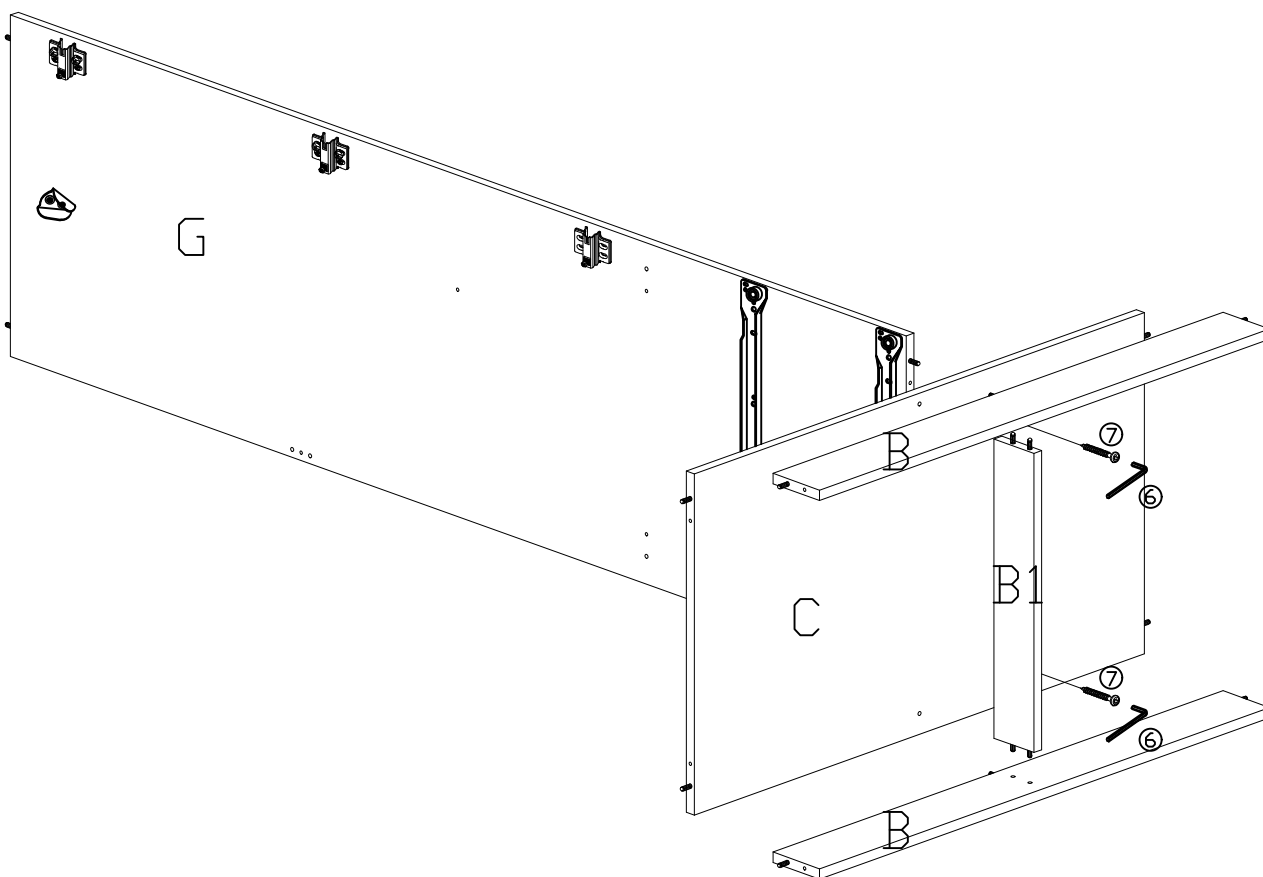
Step 1

Fix Panel **B1** onto 2 Panels **B** by inserting the dowels onto the respective non-thru holes at Panel **B**.

Next, fix Panel **B1** and 2 Panels **B** onto panel **C** by inserting the dowels onto the non-thru holes at Panel **C**.

Fix panel **G** onto panel **C** by inserting panel **G**'s lower dowel onto non thru holes of panel **C**.

Use allen key ⑥ to fasten 2 screws ⑦ from the thru-holes of panel **C** to non-thru hole of panel **G**.



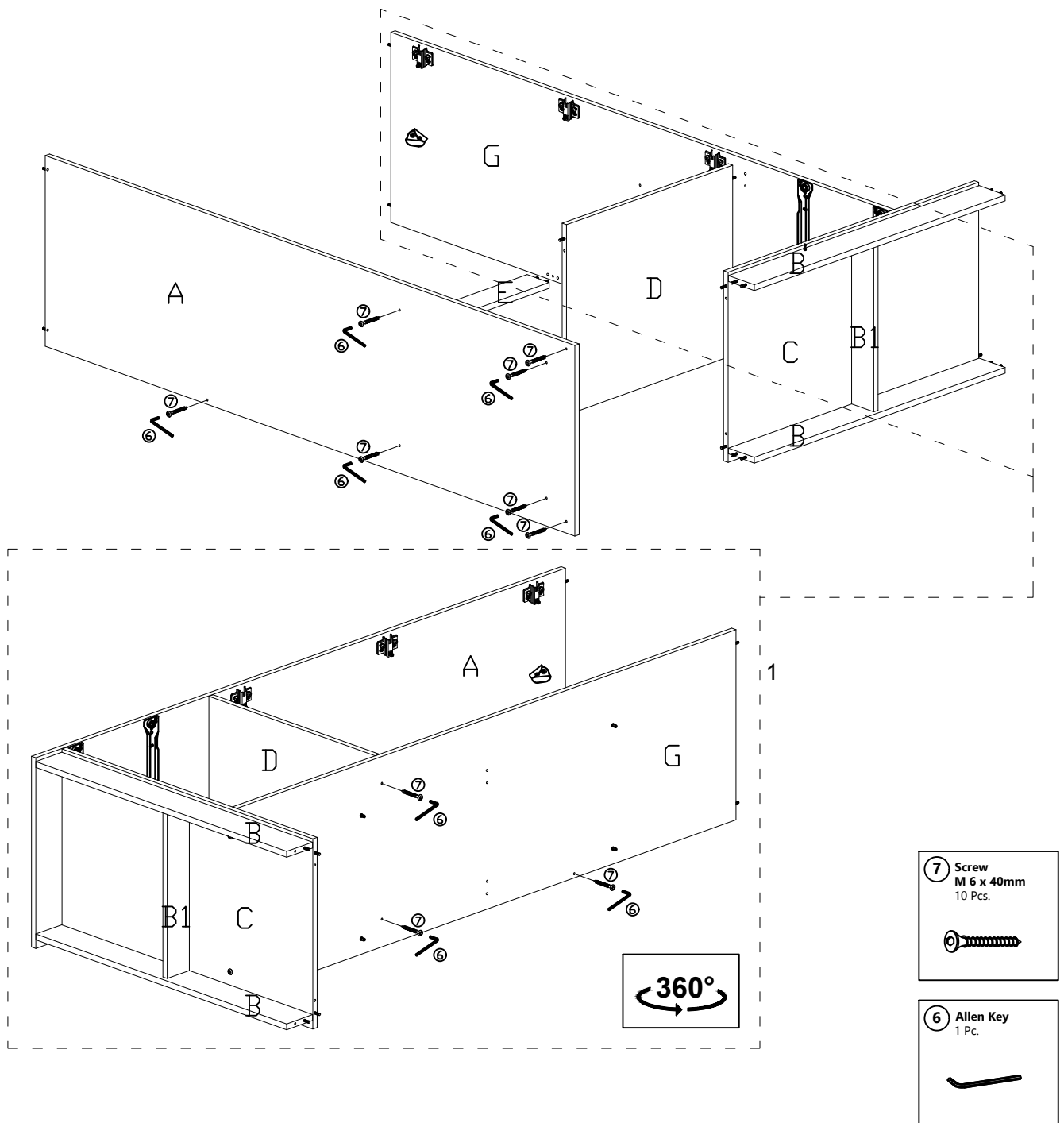
Step 2

Fix Panel D and E onto Panels G by inserting the dowels onto the non-thru holes at Panel G.

Using allen key ⑥ to fasten screw ⑦ from the 3 thru holes of panel G, one by one.

Fix Panel A onto Panels B, C, D and E by inserting the panel B, C, D and E 's dowels onto non-thru holes at Panel G.

Using allen key ⑥ to fasten screw ⑦ from the 5 thru holes of panel G, one by one.



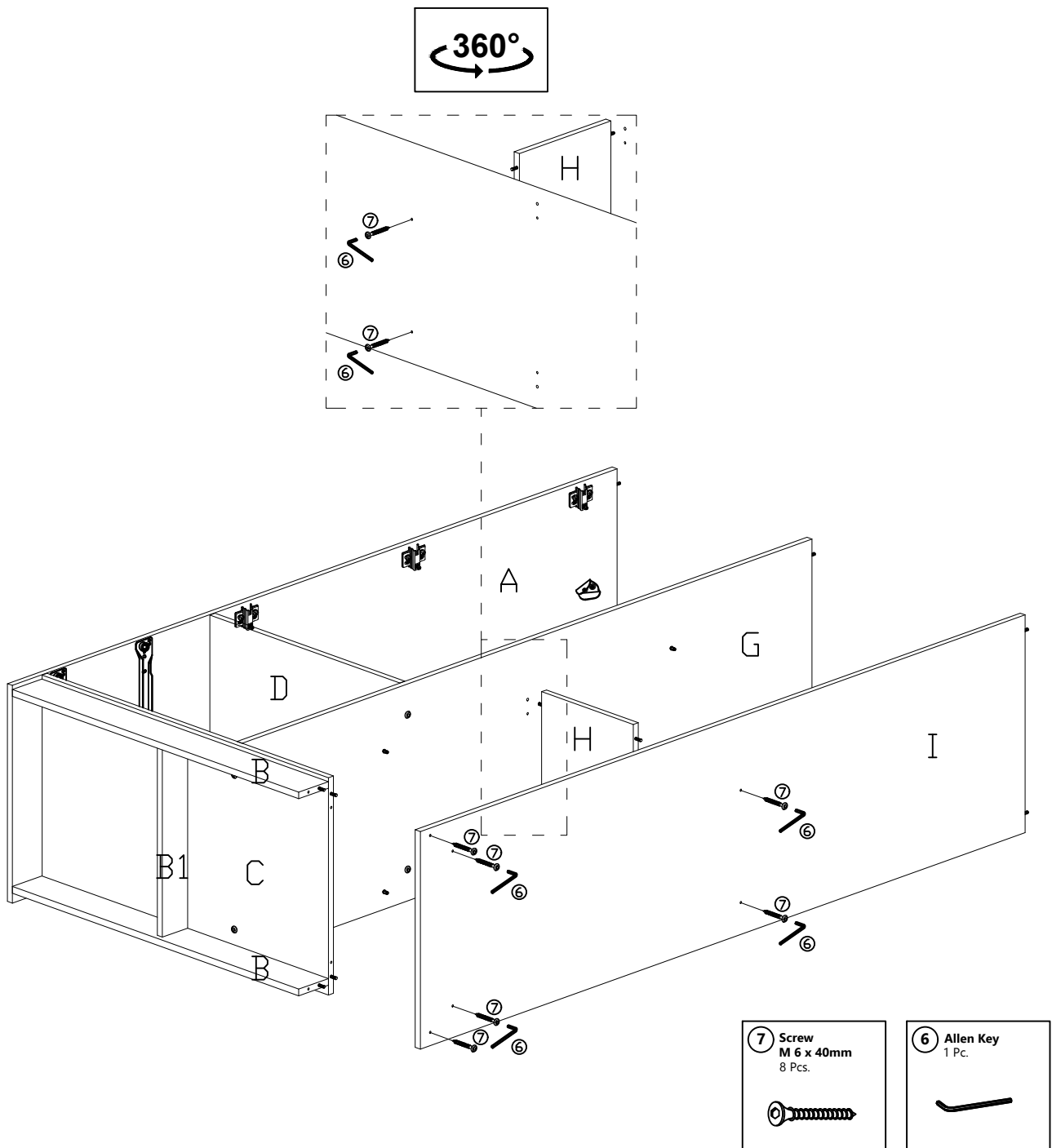
Step 3

Place and fix Panel H onto Panel G by inserting the (Left) dowels onto the non-thru holes at Panel G.

Using allen key ⑥ to fasten screw ⑦ from the 2 thru holes of panel G.

Fix Panel I onto Panels B, C, and H by inserting the panel B, C and H's dowels onto non-thru holes at Panel I.

Using allen key ⑥ to fasten screw ⑦ from the 4 thru holes of panel I.

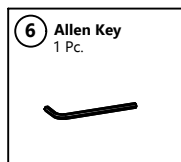
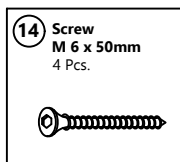
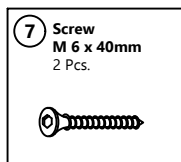
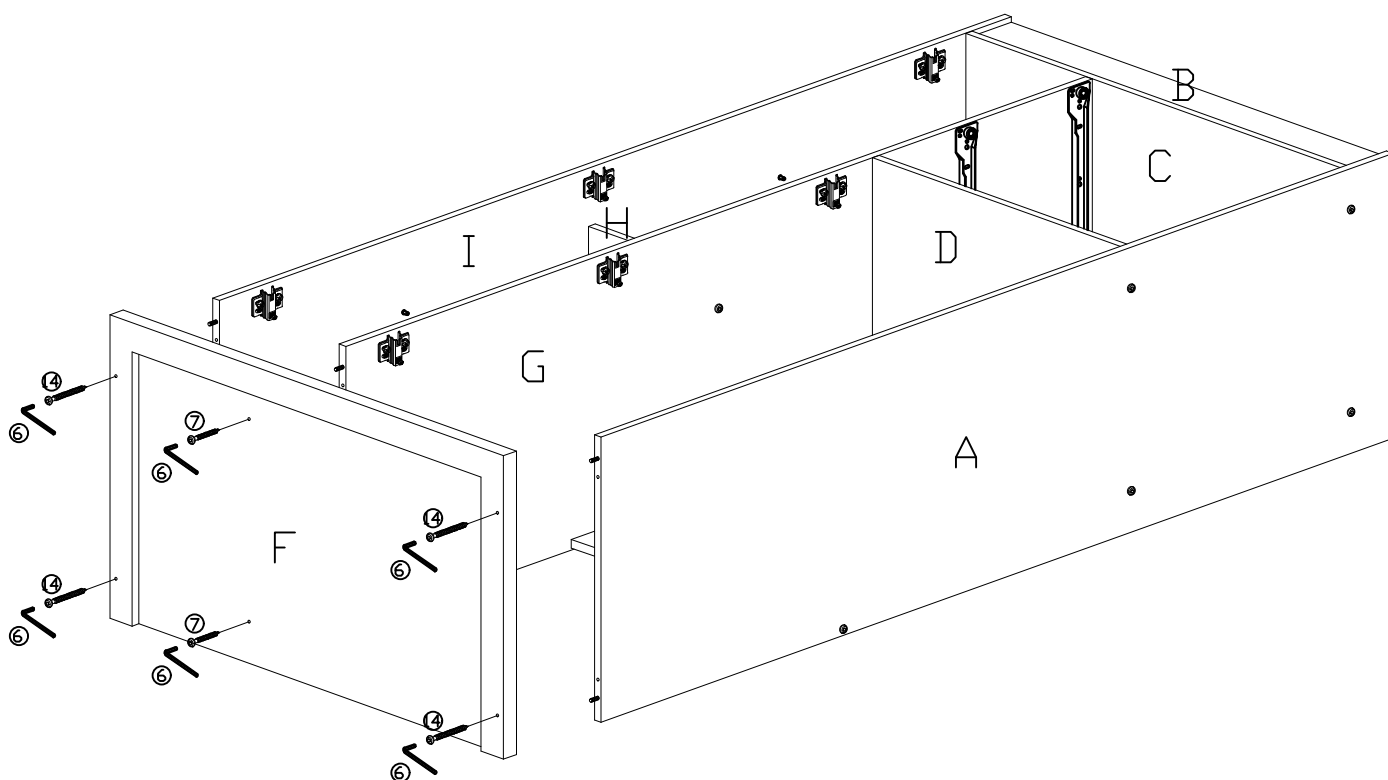


Step 4

Fix panel **F** onto panels **A**, **G** and **I** and align properly by inserting the 6 dowels of panels **A**, **G** and **I** onto the non thru holes of panel **F**.

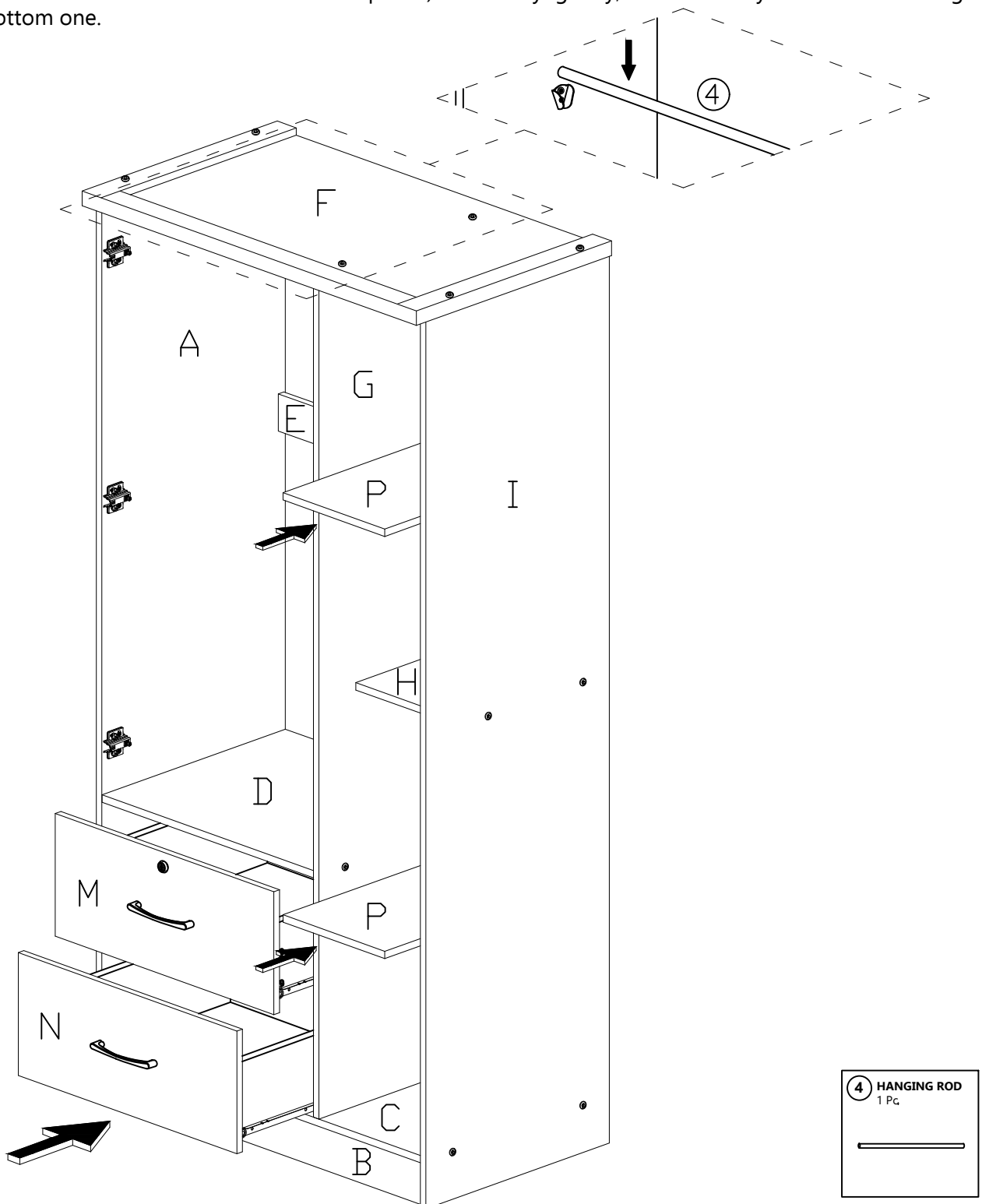
Pushing and light tapping of panel **F** to have panel **F**, panel **A**, panel **G** and panel **I** fix tightly.

Use allen key ⑥ to fasten screws ⑦ from the thru-holes of panel **F**.



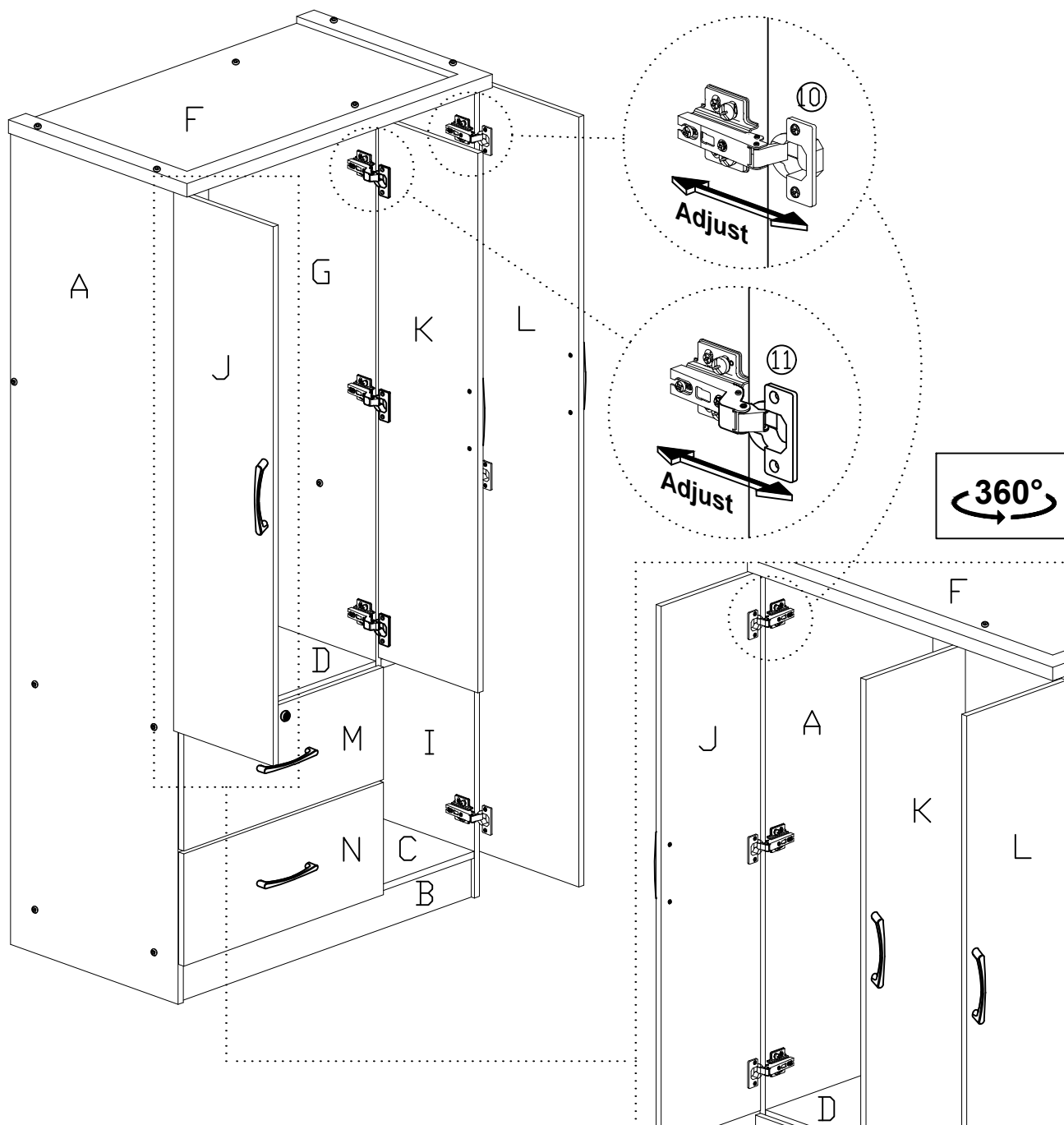
Step 5

- Lift up the main unit carefully and let it stand up properly.
- Place iron tube onto both panels **A** and **G** 's V-bracket.
- Put adjusting panels **P** onto shelf supports .
- Take drawers (drawers **M** and **N**), and slide them (the white rollers at drawer slide at both side of drawers are to go into the track of the slides at each side panel.) all the way gently, one drawer by one drawer starting from bottom one.






Step 6

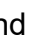


Join the door panels J, K and L's hinges with panels A, G and I's hinges .
You can align the door by fastening and loosening the screws .

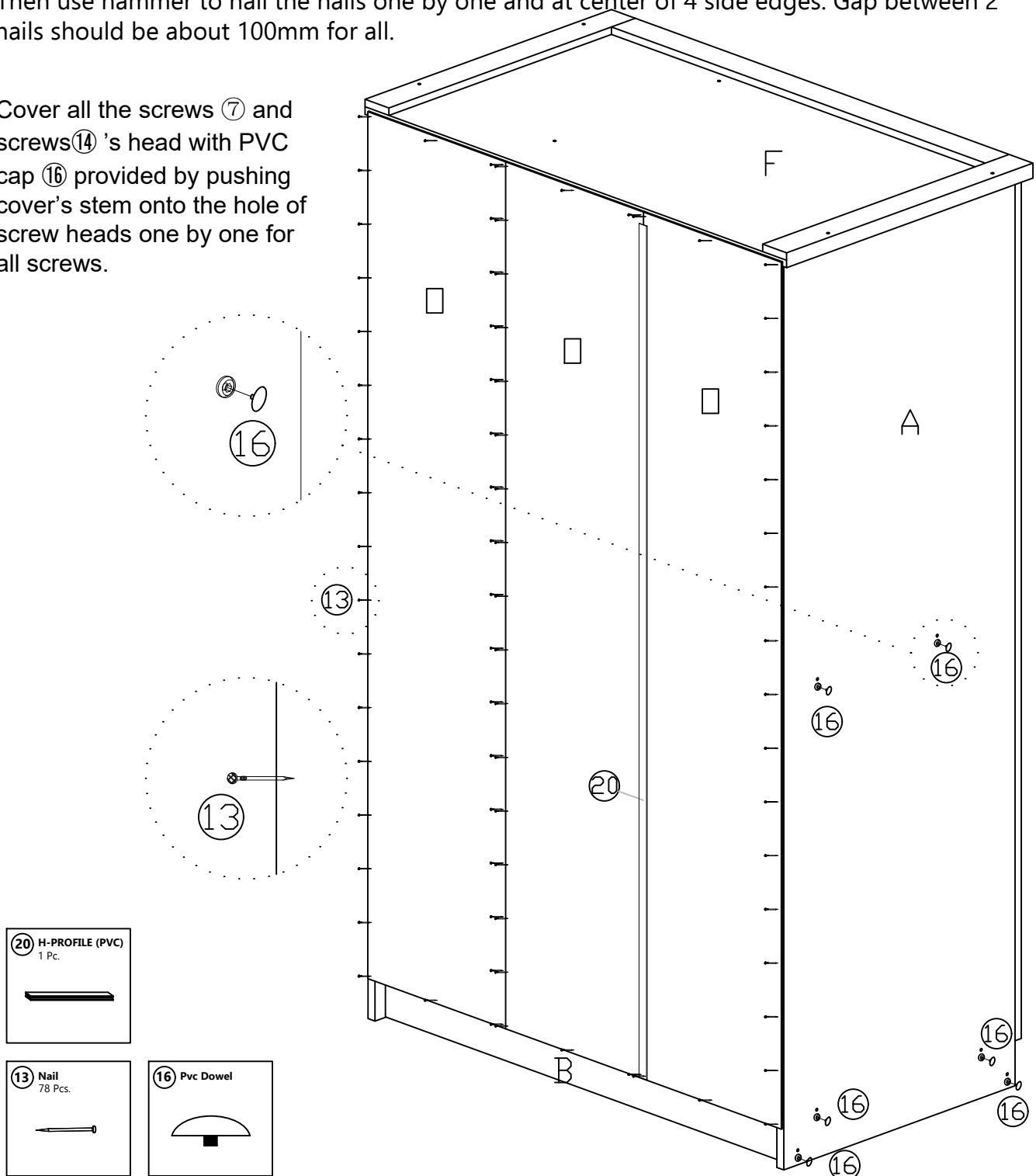


Step 7

Place 2 back Panels  onto the back of the main unit, and join 2 panels  together with H-profile by slotting one side each of panel  into the track of H-profile. Then align them properly for nailing.

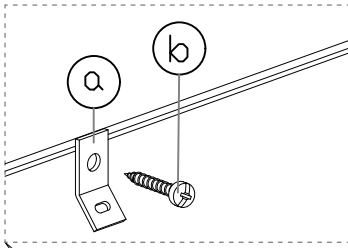
Then use hammer to nail the nails one by one and at center of 4 side edges. Gap between 2 nails should be about 100mm for all.

Cover all the screws  and screws 's head with PVC cap  provided by pushing cover's stem onto the hole of screw heads one by one for all screws.



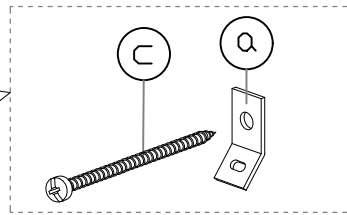
FITTING OF ANTI-TIP SAFETY STRAP

STEP 1:

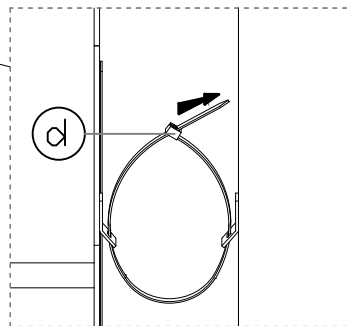


- Attach the mounting bracket (a) to the furniture in the solid part below the top panel a few inches away from the side of the unit.
- Screw (b) through the smallest hole of (a).

STEP 2:

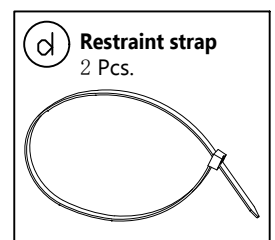
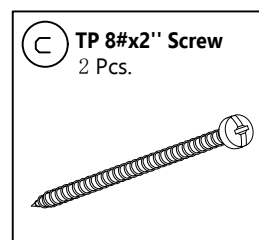
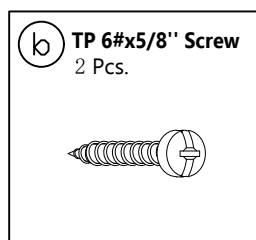
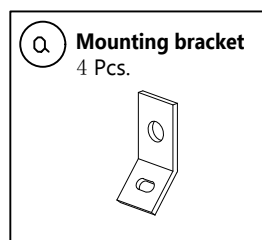


- Locate a stud in the wall behind the unit, does not have to be centered.
- Place the other mounting bracket (a) on the wall stud 2 inches below the mounting bracket secured to the back of your unit.
- Attach to the wall stud using (c) through the smaller hole of (a).



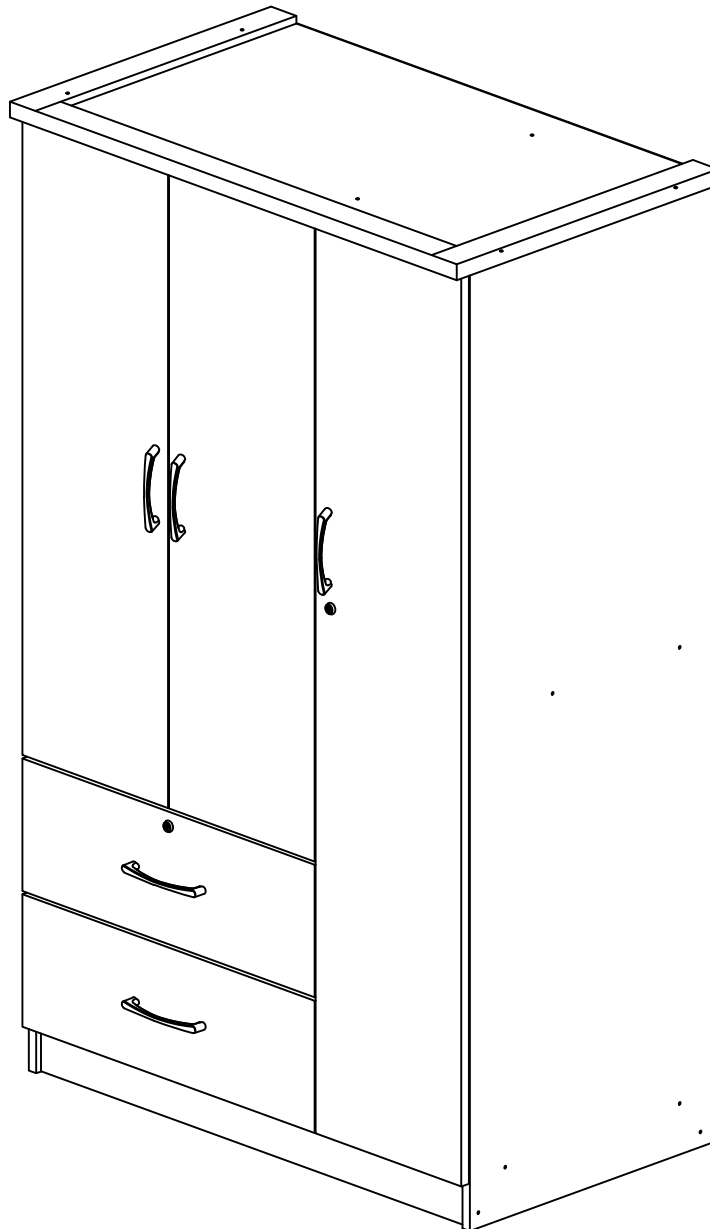
STEP 3:

- Repeat the same step a few inches away from the other side of the unit.
- Place the furniture into position so both mounting brackets are vertically in line.
- Lace the end of the restraint strap through the larger holes in each mounting bracket.
- Secure the straps and lock into place.



HODEDAH®

Job Complete



Enjoy & Thank you for purchasing from Hodedah!



In the interest of our environment please dispose of all packaging thoughtfully.