

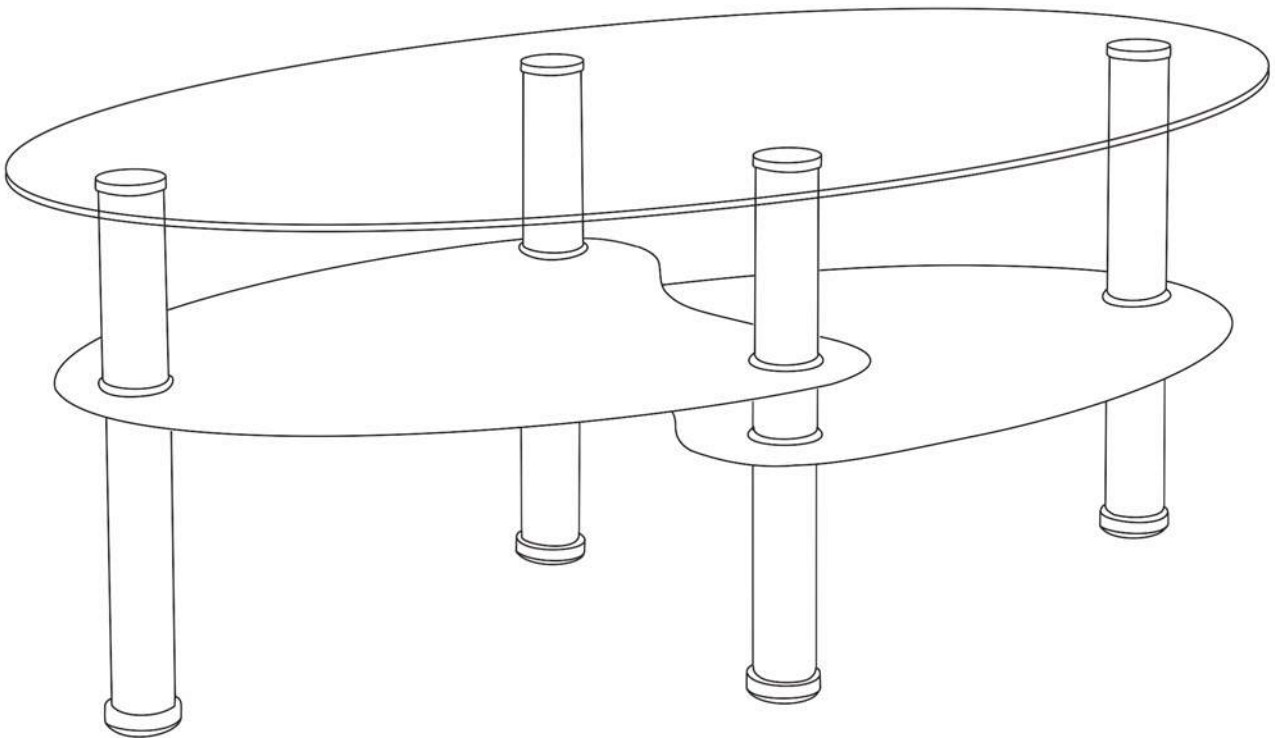


HODEDAH

www.hodedah.com
support@hodedah.com

ASSEMBLY INSTRUCTIONS

COFFEE TABLE



HICT19

H16.5"W43.3"D23.6"



HODEDAH

www.hodedah.com
support@hodedah.com



IMPORTANT NOTE:

- *This product contains small components, please ensure that they are kept away from small children.*
- *This instruction booklet contains **IMPORTANT** safety information. Please read and keep for future reference.*
- *Note: you will find extra screws and bolts in hardware pack in case of any missing pieces.*
- *If the glass is chipped or broken, do not attempt to assemble the item.*



DO NOT RETURN PRODUCT TO THE STORE

If a part is missing or damaged, email our customer service. We will gladly ship your replacement parts FREE of charge.

Need Parts or Assistance?

Email us at

support@hodedah.com

For prompt, reliable service, please have your assembly manual ready.



HODEDAH

www.hodedah.com

support@hodedah.com

Thank you for purchasing from Hodedah

**To learn more about hodedah and our products visit
www.hodedah.com**

READ BEFORE BEGINING ASSEMBLY

- Read each step carefully. It is very important that each step of instruction is performed in the correct order. If these steps are not followed in sequence, assembly difficulties will occur.
- Make sure all parts are included. Most parts are labeled or stamped on the raw edge.
- Work in spaclous area, preferably on a carpet, near the place the unit will be used.
- Do not use power tools assemble your furniture. Power tools may strip or damage the parts.

HELPFUL HINTS

- Call us if you need assistance.
- Move your new furniture carefully, with two people lift and carry the nuit to it's new location.
- Never push, drag or pull your furniture(especially on carpet).

Warranty Information

Hodedah warrants this product to be free from defects in material and workmanship agrees to remedy any such defect. This warranty covers one year from the date of original purchase. This is solely limited to be repair or replacement of defective parts and no assembly labor is included.

This warranty does not apply to any products which has been improperly assembled, subjected to misuse or abuse or which has been altered or repaired in any way.

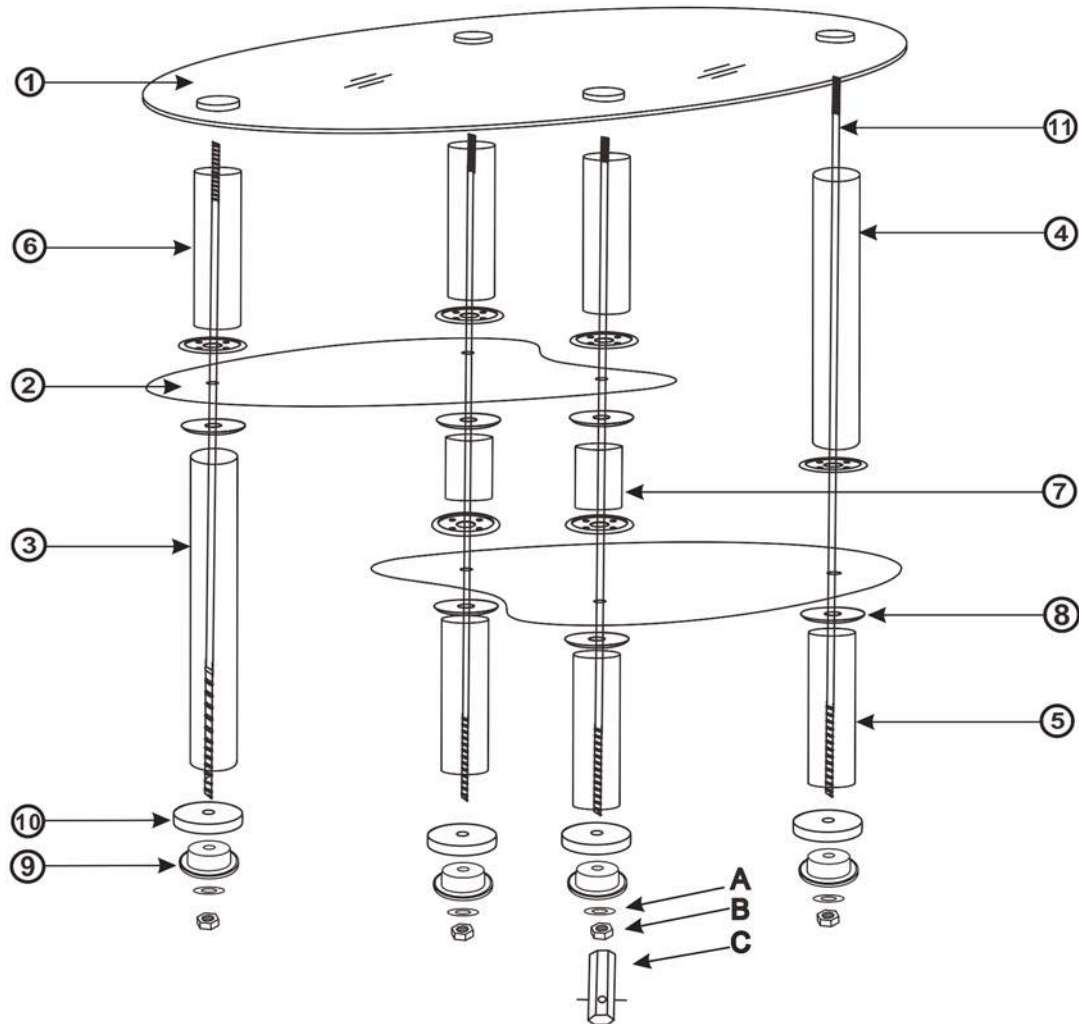
To obtain warranty service, purchaser must present original bill of sale. Components repaired or replaced warranted through the remainder of the original warranty period only. The defective components will be repaired or replaced without charge, subject to the terms and conditions described above.

**For help with assembly, Identifying parts, product information
or to order parts, please contact us:**

Call us at:
718-456-0505
Monday-Friday
9:00 am-5:00 pm

Visit our website:
www.hodedah.com

Breakdown Structure



Parts

1 Upper Glass 1 un. 1100*600mm	2 Layer Glass 2 un. 600*500mm	3 Stainless Tube 1 un. Ø50*235mm	4 Stainless Tube 1 un. Ø50*205mm
5 Stainless Tube 3 un. Ø50*175mm	6 Stainless Tube 3 un. Ø50*150mm	7 Stainless Tube 2 un. Ø50*50mm	8 Plastic Washer 12 un. Ø55mm
9 Rubber Mat 4 un. Ø58*18mm	10 Steel Footing 4 un. Ø60*12mm	11 Screw Rod 4 un. Ø8*400mm	

Hardware

A Flat Nut 4 un. Ø8mm	B Steel Washer 4 un. Ø8mm
C Wrench 1 un. Ø8mm	

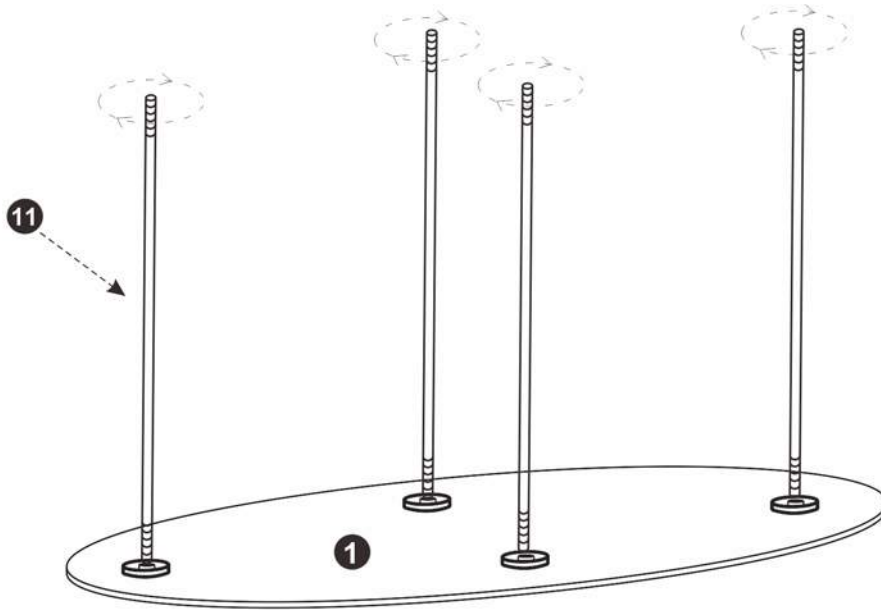


HODEDAH

www.hodedah.com
support@hodedah.com

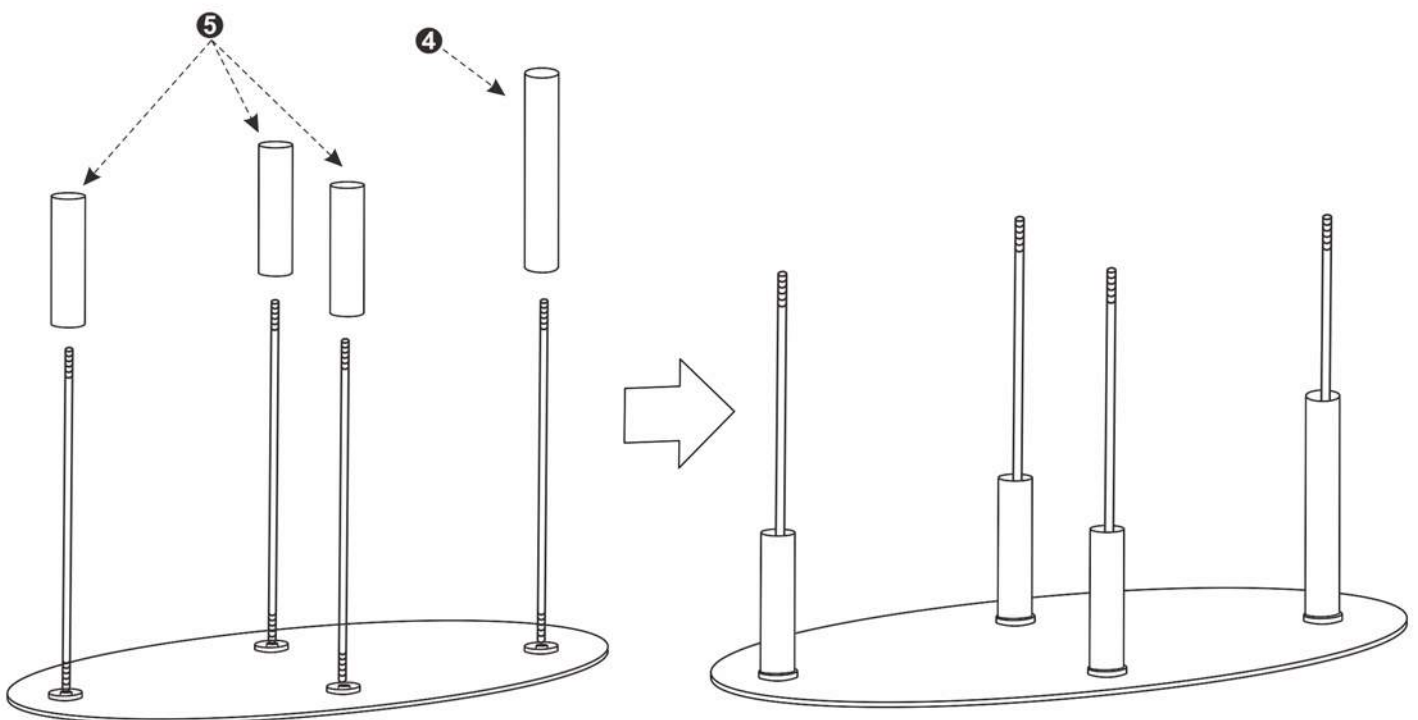
Step 1

- Put upper glass(1) on a table, aluminum tray side upwards.
- Attach screw rod (11) on aluminum tray.



Step 2

- Insert stainless tube (5) and (4) through screw rod. (see photo for example)



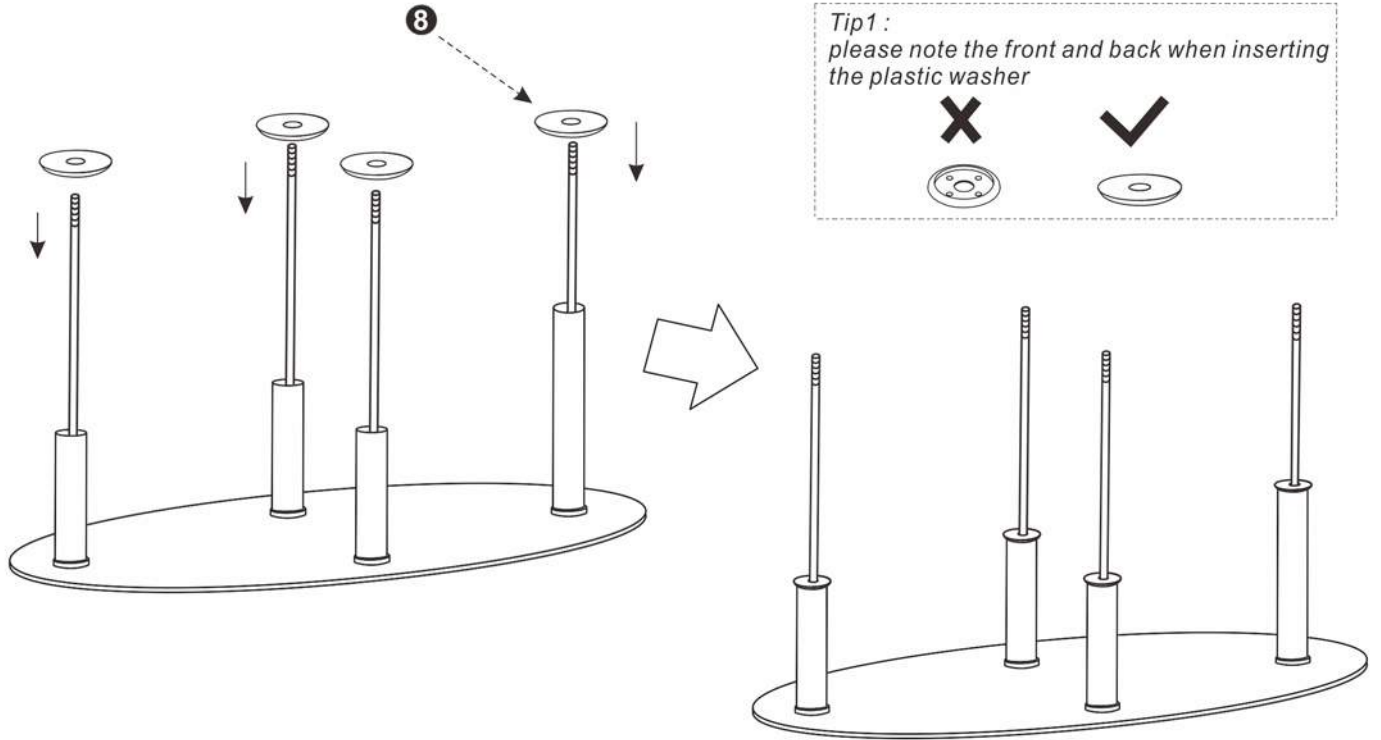


HODEDAH

www.hodedah.com
support@hodedah.com

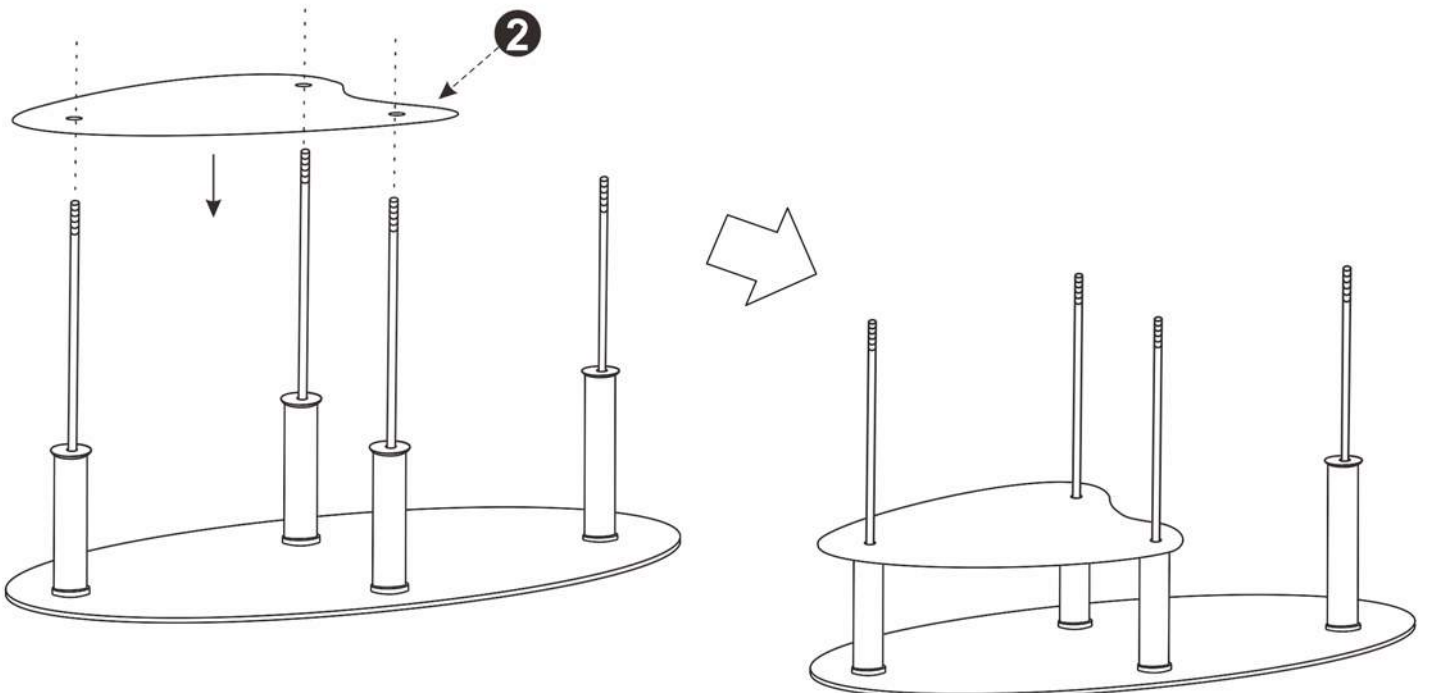
Step 3

• Insert 4X plastic washer (8) through screw rod .



Step 4

• Insert one layer glass (2) through screw rod, painting side upwards .



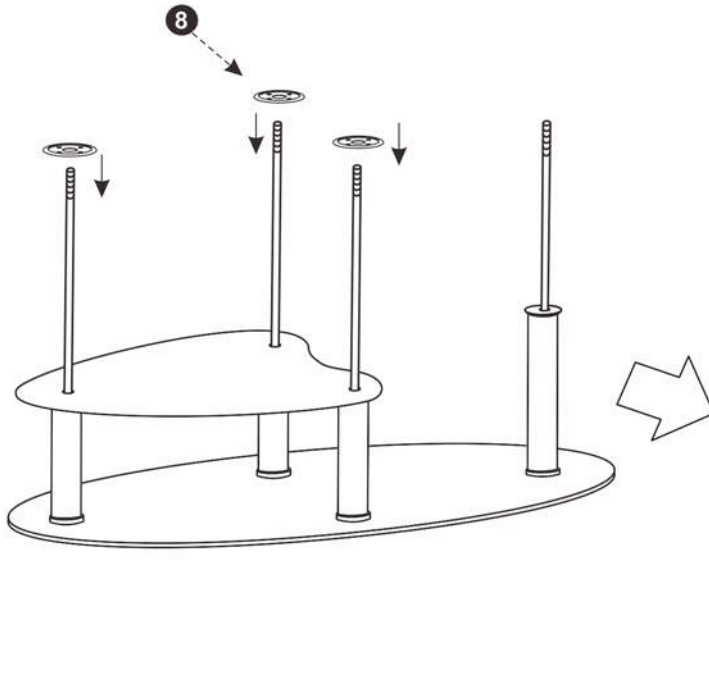


HODEDAH

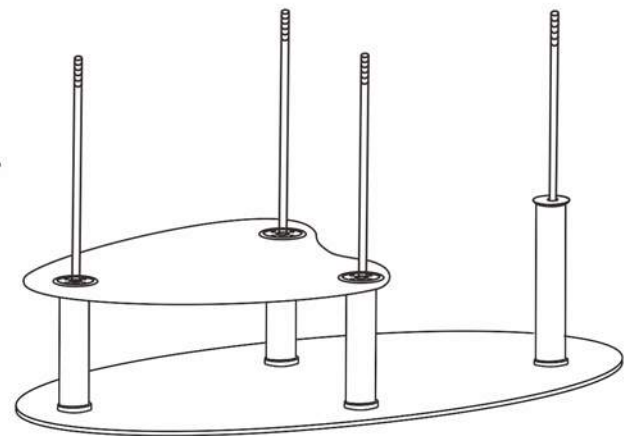
www.hodedah.com
support@hodedah.com

Step 5

• Insert 3X plastic washer (8) through screw rod .

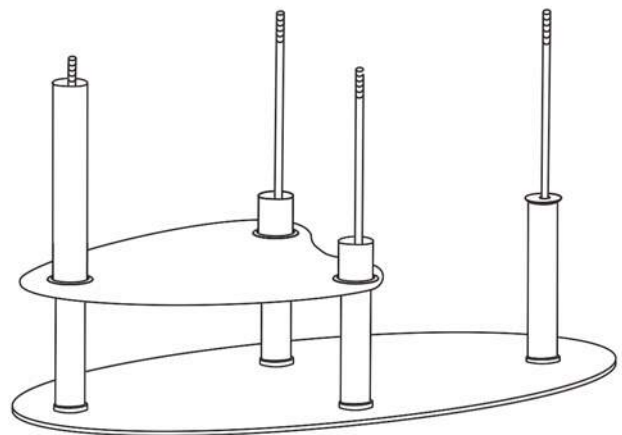
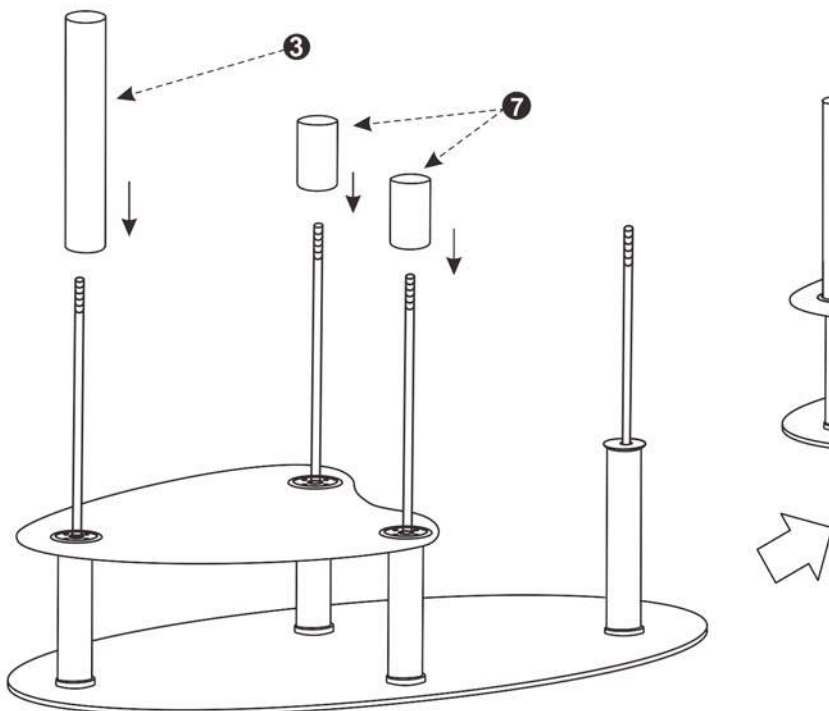


Tip2 :
please note the front and back when inserting
the plastic washer



Step 6

• Insert stainless tube (7) and (3) through screw rod.





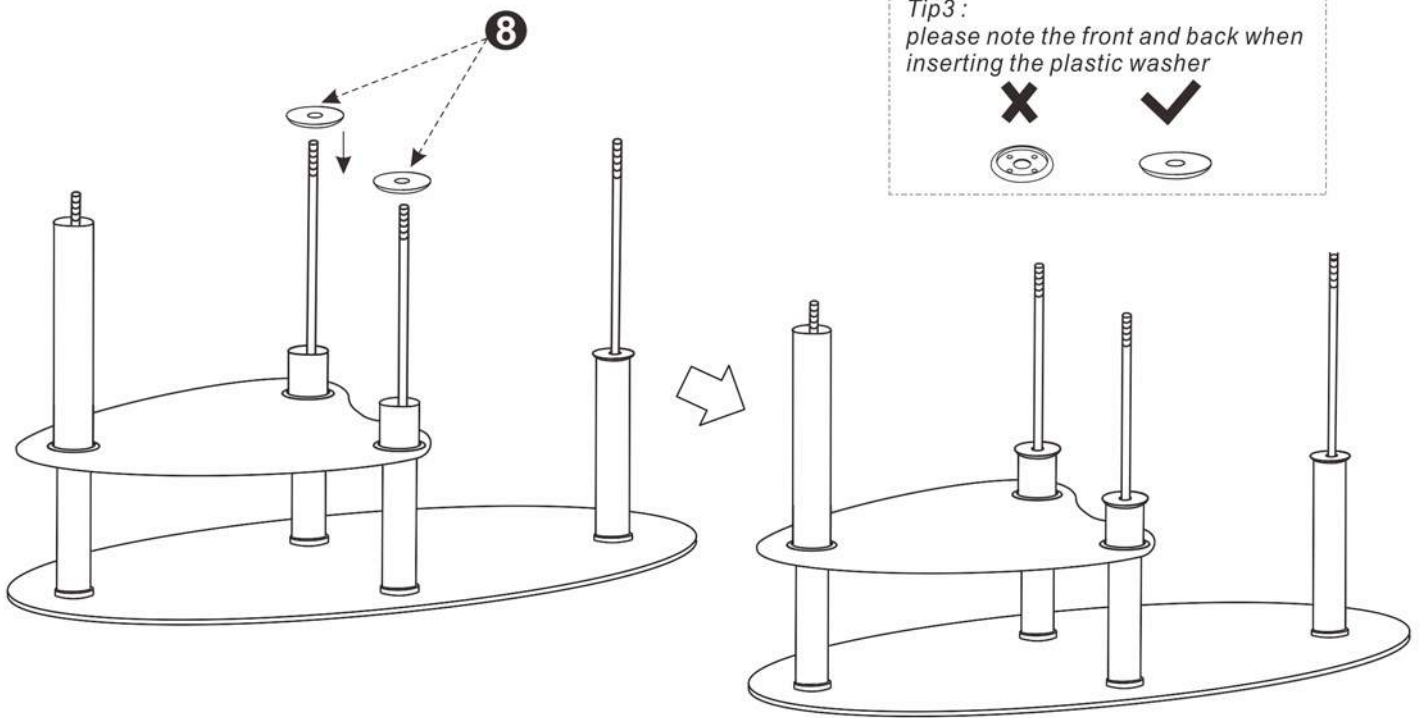
HODEDAH

www.hodedah.com

support@hodedah.com

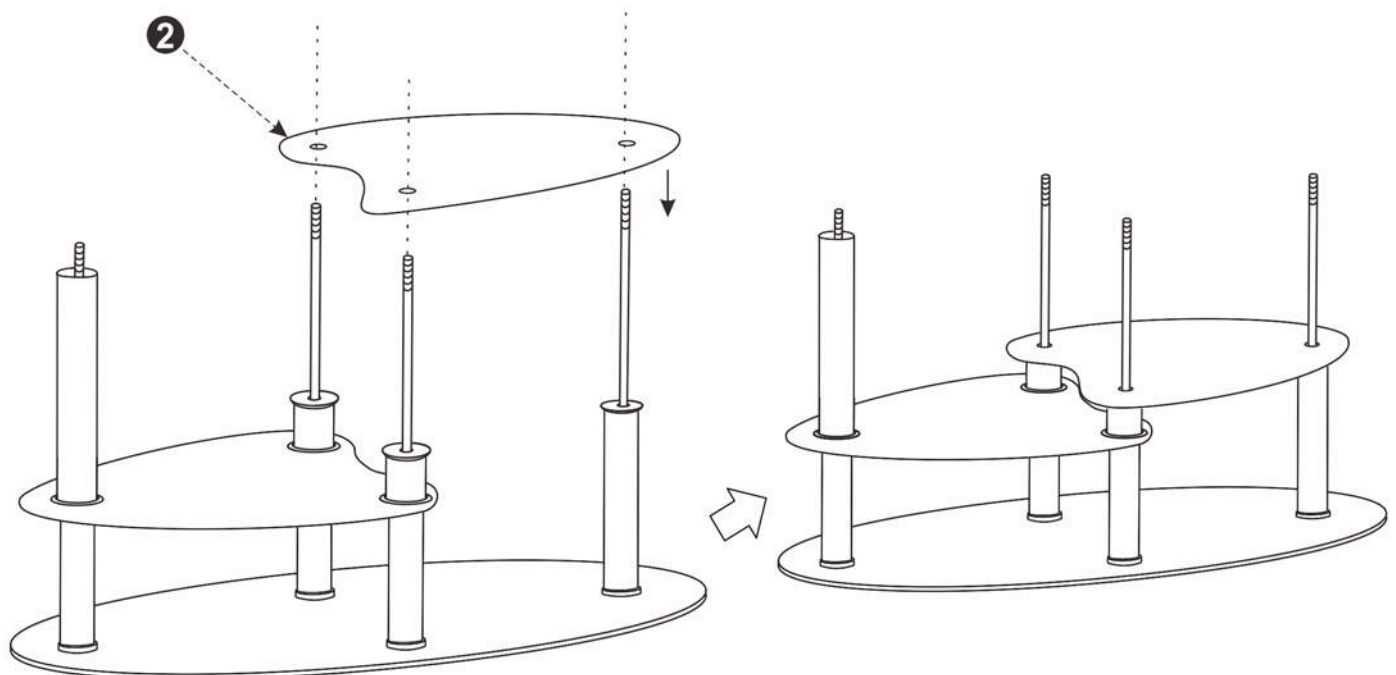
Step 7

- Insert 2X plastic washer (8) through screw rod .(see photo for example)



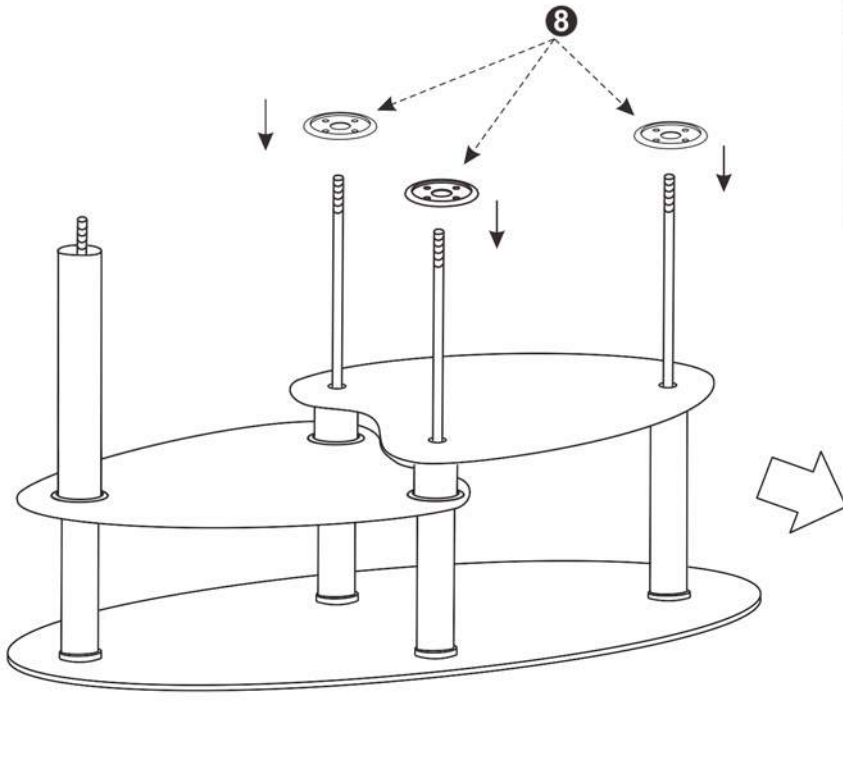
Step 8

- Insert another layer glass (2) through screw rod, painting side upwards .

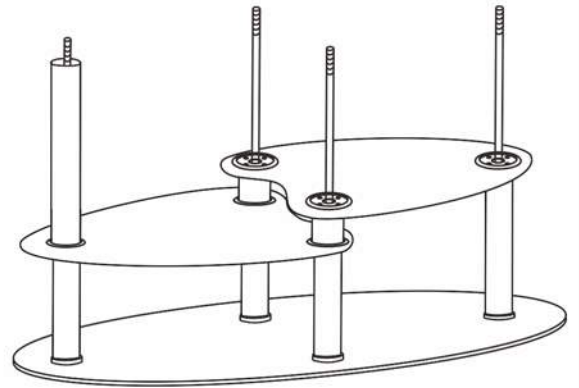


Step 9

- Insert 3X plastic washer (8) through screw rod.

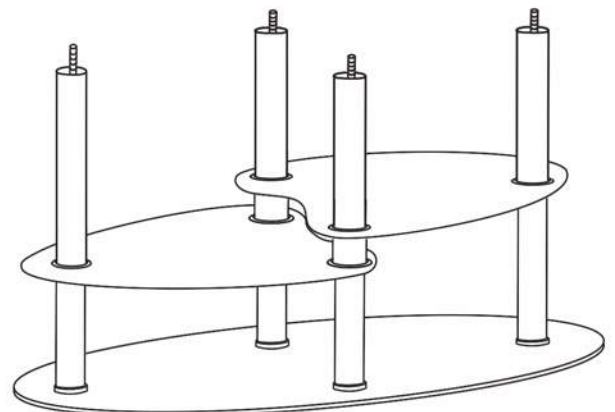
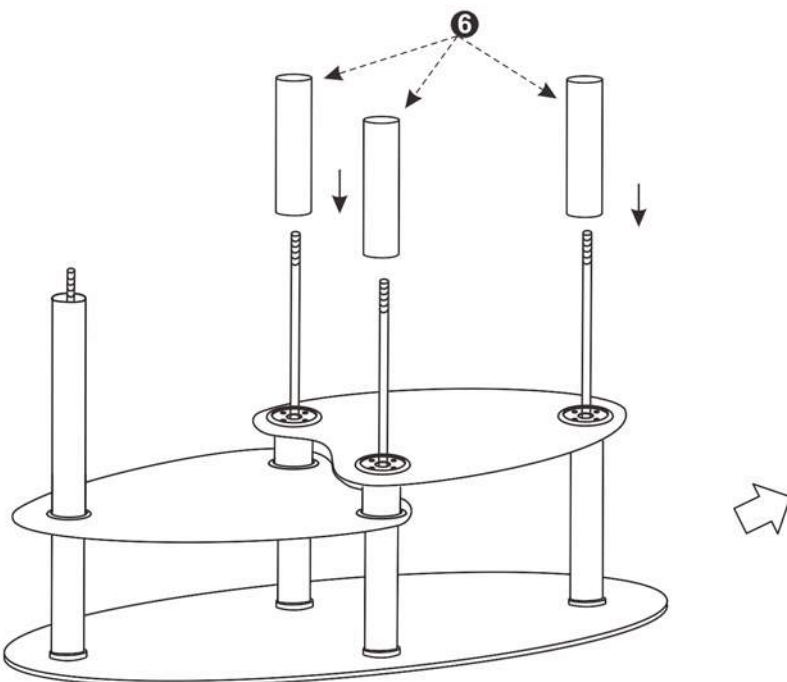


Tip4 :
please note the front and back when inserting
the plastic washer



Step 10

- Insert stainless tube (6) through screw rod.





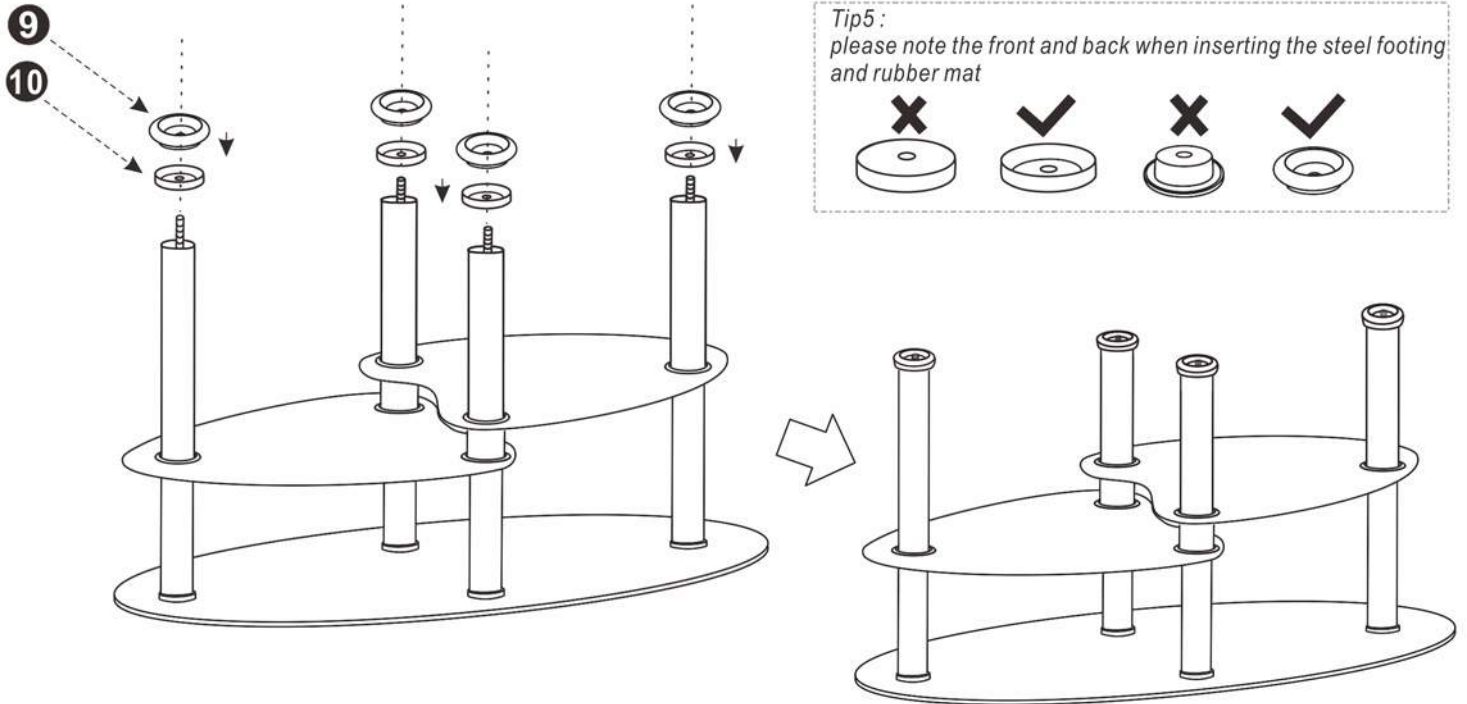
HODEDAH

www.hodedah.com

support@hodedah.com

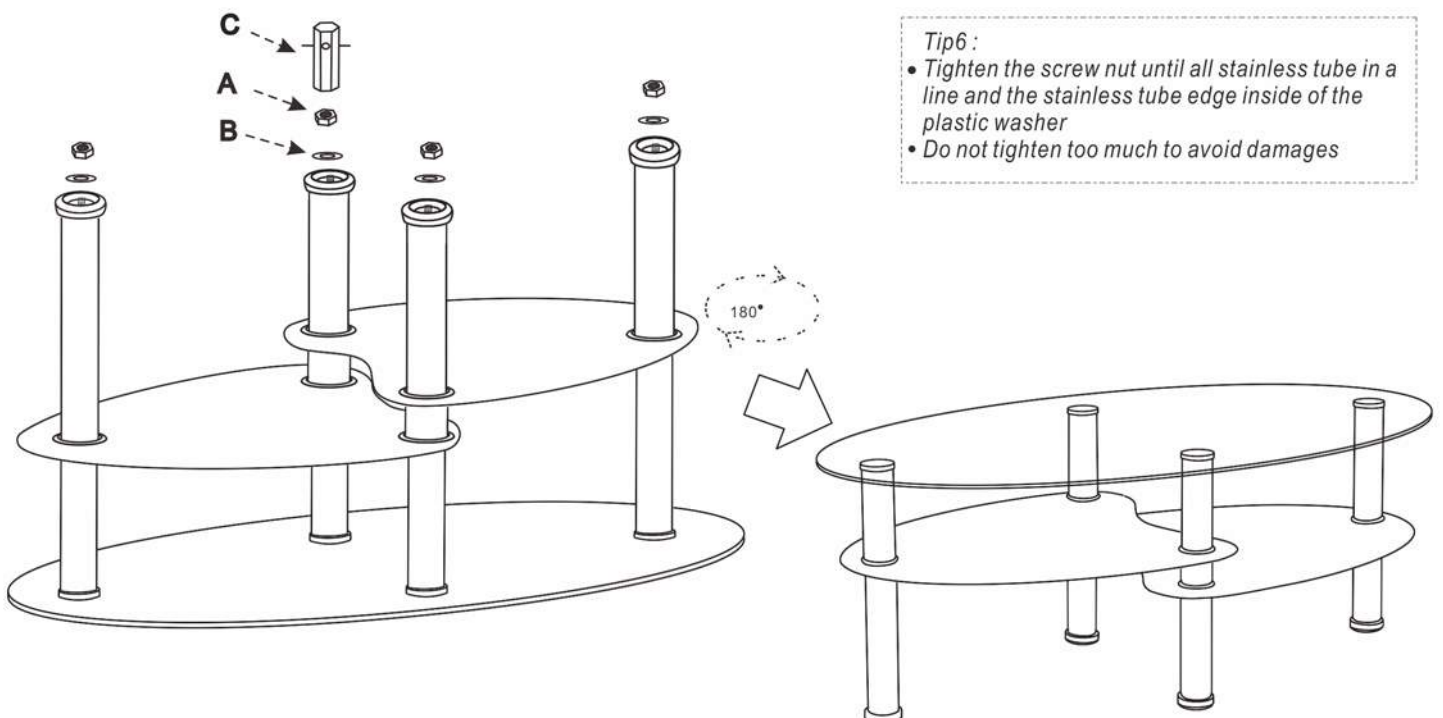
Step 11

- Insert steel footing (10) and rubber mat (9) through screw rod in sequence.



Step 12

- Insert steel washer (B) through screw rod, and screw nut (A) on screw rod with wrench (C).
- Turn over the table and place it on the floor.

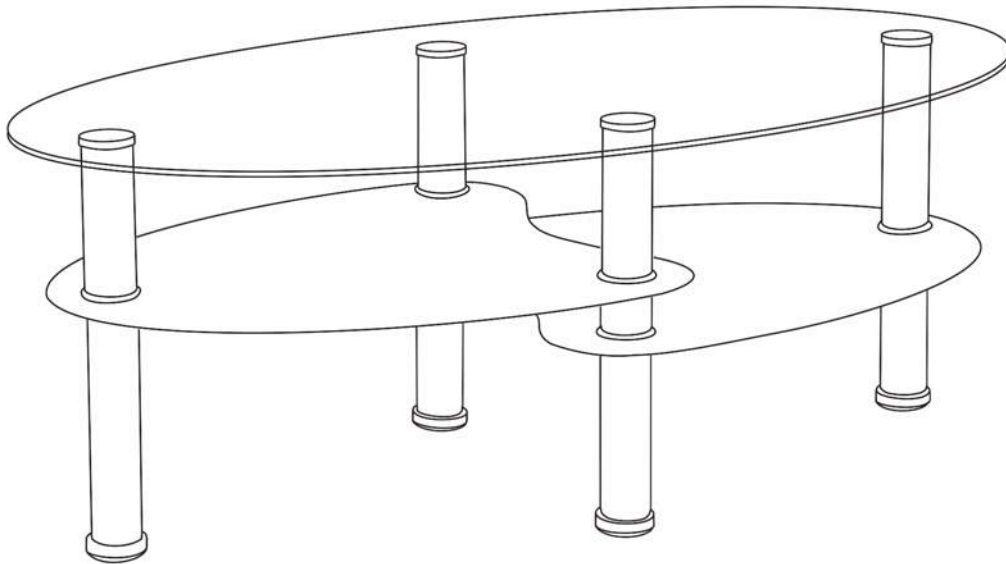




HODEDAH

www.hodedah.com

support@hodedah.com



Job Complete !

In the interest of our environment please dispose of all packaging thoughtfully.

WARNING!

1. MAKE SURE ALL SCREWS HAVE BEEN PROPERLY TIGHTENED BEFORE USING COFFEE TABLE
2. DO NOT PLACE VERY HOT OR VERY COLD ITEMS ON THE GLASS SURFACE UNLESS ADEQUATELY THICK TABLEMATS ARE USED TO PREVENT SUCH ITEMS FROM COMING INTO DIRECT CONTACT WITH GLASS SURFACE
3. DO NOT SIT OR STAND UPON THE GLASS SURFACE
4. DO NOT STRIKE THE GLASS WITH HARD OR POINTED ITEMS
5. WHEN CLEANING THE GLASS USE A DAMP CLOTH ; DO NOT USE WASHING POWDER OR ANY OTHER SUBSTANCE CONTAINING ABRASIVES SINCE THESE SUBSTANCES CAN SCRATCH GLASS
6. IT IS ESSENTIAL THAT THIS UNIT IS FIXED TO A WALL WITH FIXINGS PROVIDED (IF APPLICABLE)