

## Assembly Instructions

This instruction booklet contains important safety information, please read and keep for future reference.

### ITEM # HI882-A

### 2 DOOR WARDROBE WITH MIRROR



2 people



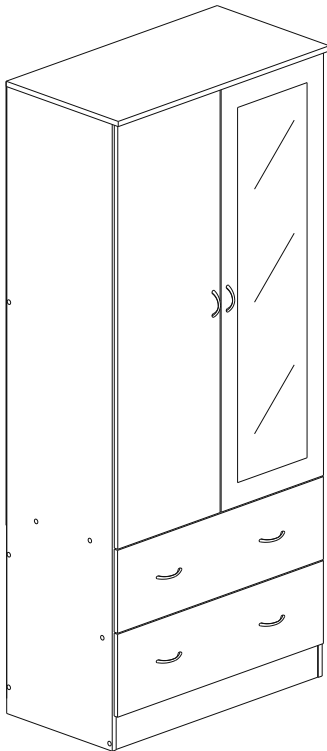
60mins



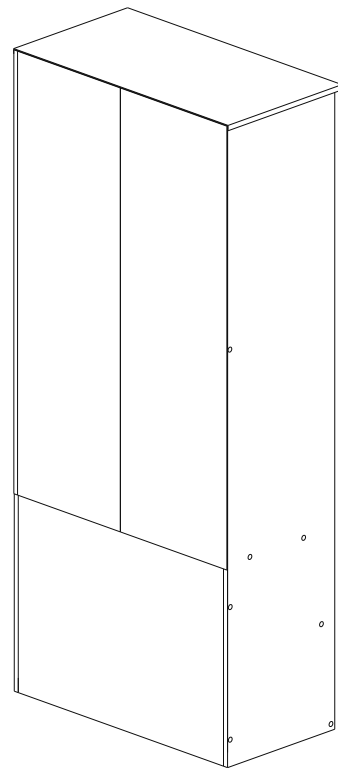
1 YR LTD



1 Box



FRONT VIEW



BACK VIEW

**Product Dimensions: Height 72" x Width 32" x Depth 17"**

**Weight Capacity Per Drawer 20 lbs.**



## Phone

Mon – Fri | 9:30 am to 5pm EST

1 - 855 – HODEDAH

1 – 855 – 463 -3324



## Email

Send us an email

[Support@Hodedah.com](mailto:Support@Hodedah.com)



## Website

Visit our website to open a case

[www.Hodedah.com](http://www.Hodedah.com)

## Questions, need parts, we are here to help!

FOR PROMPT, RELIABLE SERVICE PLEASE HAVE YOUR INSTRUCTION MANUAL READY

---



## DO NOT RETURN PRODUCT TO THE STORE

If parts are missing or damaged please contact our customer service team and we will gladly ship your replacement parts **FREE** of charge within **ONE YEAR** of purchase!

---

## WARRANTY

Hodedah warrants this product to be free from defects in materials and workmanship and agrees to remedy any such defect. This warranty covers one year from the date of original purchase. This is solely limited to replacement of defective parts and no assembly for labor is included. This warranty does not apply to any product that has been improperly assembled, subjected to misuse, abuse or which has been altered or repaired in any way. To obtain warranty service, original purchaser must present the following; original bill of sale, date of purchase, where the product was purchased and images if applicable. Components replaced warranted through the remainder of the original warranty only. The defective part will be replaced without charge, subject to the terms and conditions described above.

---

## WARNING

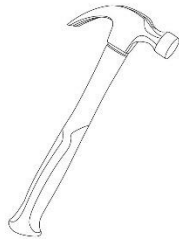
- This product contains small parts, keep away from children.
- This product contains plastic bags, keep away from children.
- Serious or fatal crushing injuries can occur from furniture tip-over. To help prevent this, place heaviest items on the lower shelves and drawers. Do not set heavy objects on top shelves and drawers.
- Never allow children to climb or hang on drawers, shelves and doors.
- Never open more than one drawer at a time.
- The use of tip-over restraints may reduce but not eliminate the risk of tip-over.

## Let's get started...

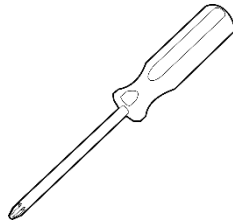
### Helpful hints, read before beginning assembly

- Make sure you receive all boxes. If your item is packed in one box, box count will read 1 of 1, likewise if your item is packed in two boxes, box count will read 1 of 2 and second box will read 2 of 2.
- Read each step carefully. It is very important that each step is performed in the correct order. If these steps are not followed in sequence, assembly difficulties will occur.
- Work in a spacious level area, preferably carpet, near the place the unit will be used.
- **DO NO USE** power tools to assemble your furniture, it will strip and damage parts.
- Your package should include the following hardware and parts. Parts are labeled or stamped on the raw edge. Please inspect contents to ensure you have received all components. **If you are missing any hardware or parts please contact customer service right away before assembly.**

## Assembly Tools Required (not supplied)



Hammer



Phillips Screwdriver



Tape Measure



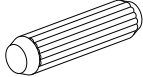
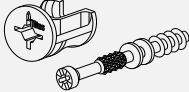

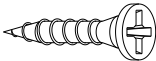

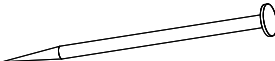


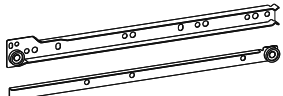
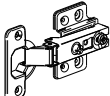


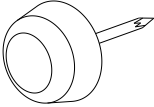
No Power Tools Needed

---

## Product Care and Maintenance

- Wipe clean with dry soft cloth, never use chemicals or cleaning products that will damage the finish.
- Avoid placing your furniture in direct sunlight, as sunlight causes fading.
- Never push, drag or pull your furniture, to move to a new location carefully with two or more people carry the unit to its new location.
- Avoid extreme changes in temperature by arranging furniture away from radiators, heat and air vents and air conditioning units.

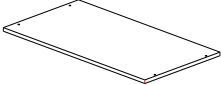

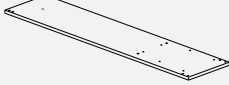
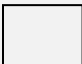
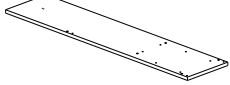
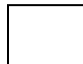
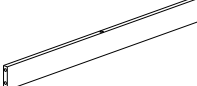
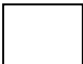

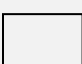
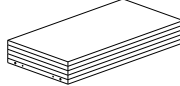
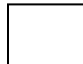
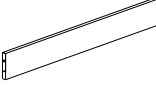
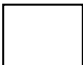
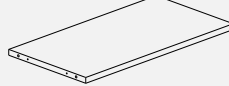
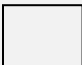
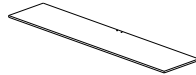



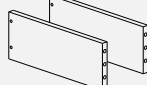
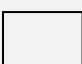
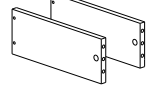

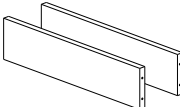

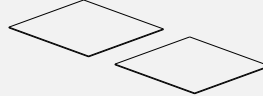
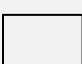
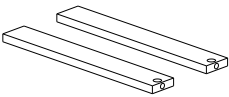

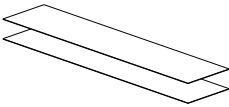
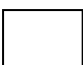

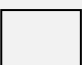
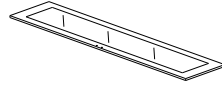
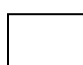
## Hardware List

<b>A</b> PVC Dowel 	<b>QTY</b> <b>31Pcs</b> <input type="checkbox"/>	<b>B</b> Minifix 	<b>QTY</b> <b>6Sets</b> <input type="checkbox"/>	<b>C</b> Screw M4x45mm 	<b>QTY</b> <b>28Pcs</b> <input type="checkbox"/>
<b>D</b> Screw M3.5x16mm 	<b>52Pcs</b> <input type="checkbox"/>	<b>E</b> Screw M3.5x21mm 	<b>12Pcs</b> <input type="checkbox"/>	<b>F</b> Nail 	<b>30Pcs</b> <input type="checkbox"/>
<b>G</b> Aluminum Pipe (760x19mm) 	<b>1Pc</b> <input type="checkbox"/>	<b>H</b> Handle (96mm) 	<b>6Pcs</b> <input type="checkbox"/>	<b>I</b> Drawer Slide (300mm) 	<b>2sets</b> <input type="checkbox"/>
<b>J</b> Hinges 2/8 	<b>4Pcs</b> <input type="checkbox"/>	<b>K</b> V – Bracket 	<b>2Pcs</b> <input type="checkbox"/>	<b>L</b> Sticker 	<b>14Pcs</b> <input type="checkbox"/>
<b>M</b> Nail Leg 	<b>5Pcs</b> <input type="checkbox"/>				

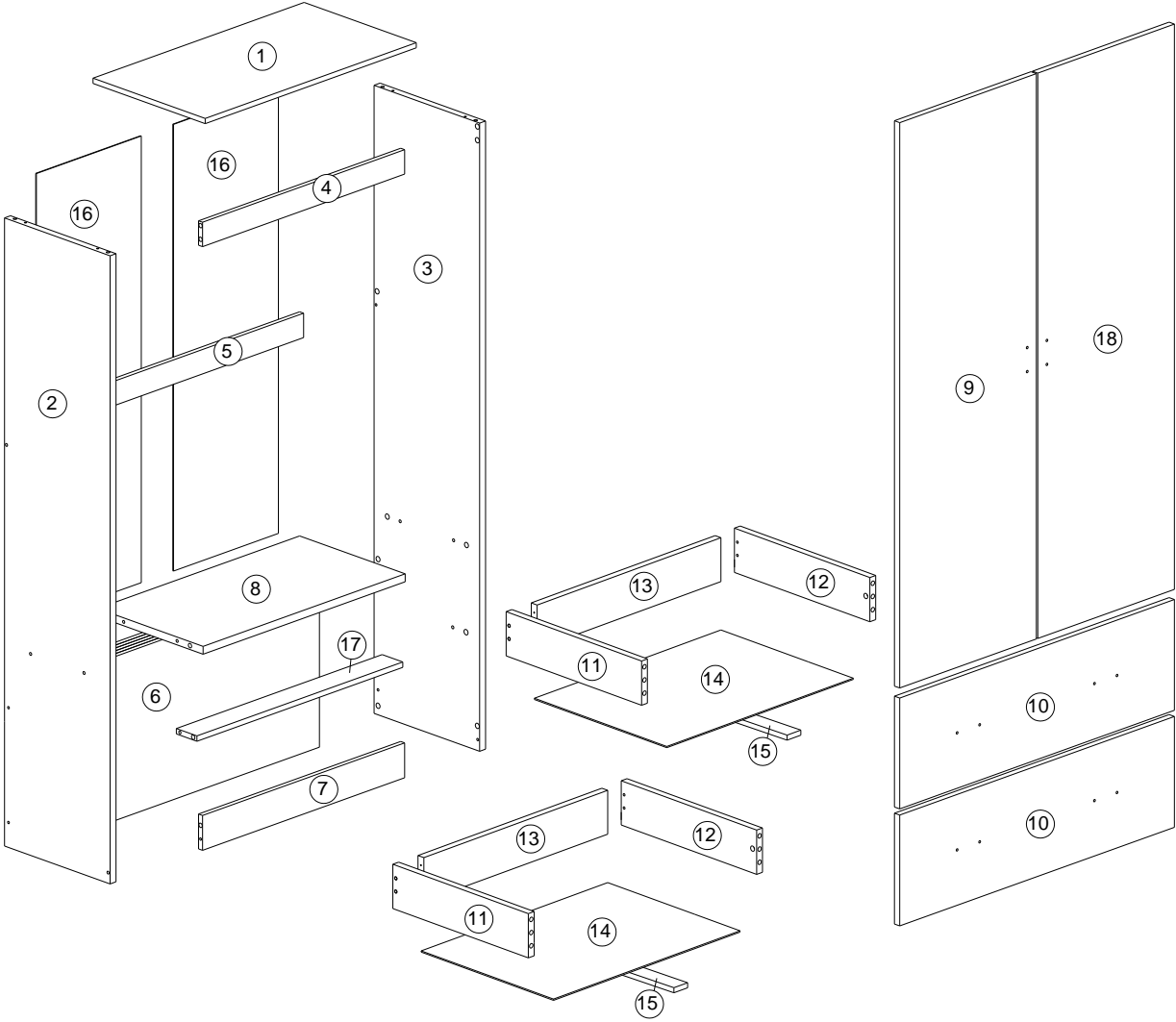
### Important

1. Before you throw the package, please use the Check Box to identify the parts and hardware to ensure that you have everything you need.
2. Check and measure the bolts before applying them to parts.
3. Do not completely tighten all hardware until the entire assembly is complete, unless indicated otherwise.

## Parts List

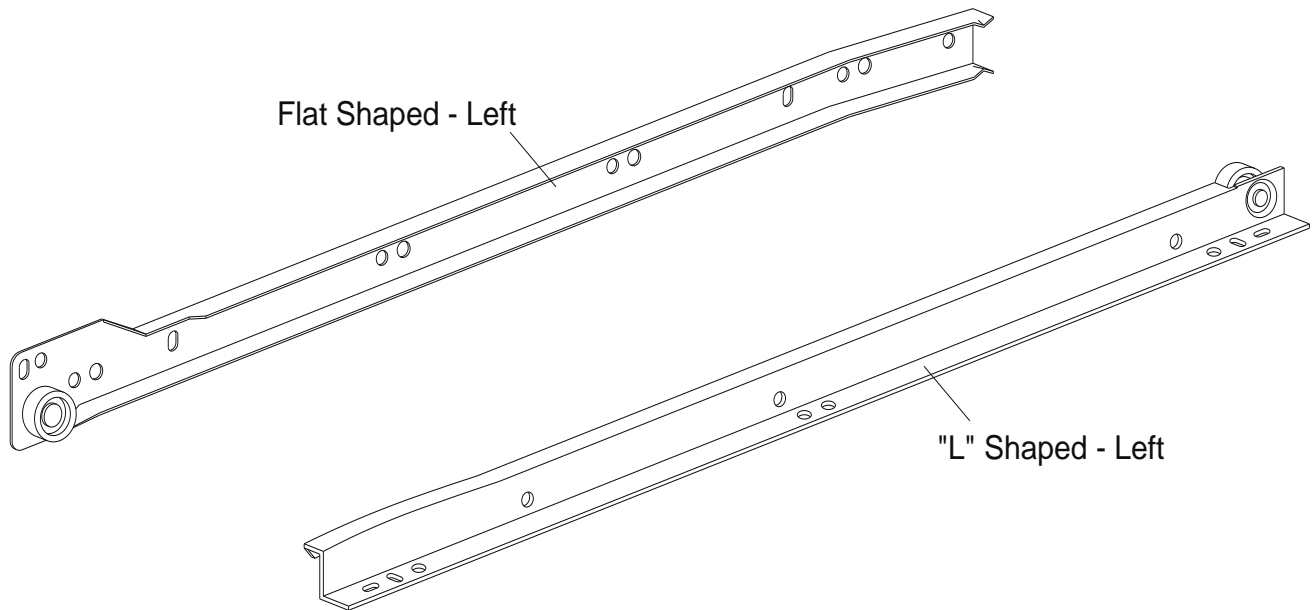
<b>1</b> Top Panel 800x425x15mm 	<b>QTY</b> <b>1Pc</b> 	<b>2</b> Left Side Panel 1800x400x15mm 	<b>QTY</b> <b>1Pc</b> 	<b>3</b> Right Side Panel 1800x400x15mm 	<b>QTY</b> <b>1Pc</b> 
<b>4</b> Front Strengthening Panel 766x70x15mm 	<b>1Pc</b> 	<b>5</b> Back Strengthening Panel 766x70x15mm 	<b>1Pc</b> 	<b>6</b> Kick Panels 766x400x75mm 	<b>1Pc</b> 
<b>7</b> Kick Panel 766x100x15mm 	<b>1Pc</b> 	<b>8</b> Partition Panel 766x400x15mm 	<b>1Pc</b> 	<b>9</b> Door Panel 1214x388x15mm 	<b>1Pc</b> 
<b>10</b> Drawer Front Panel 780x238x15mm 	<b>2Pcs</b> 	<b>11</b> Drawer - Left Side Panel 300x128x15mm 	<b>2Pcs</b> 	<b>12</b> Drawer - Right Side Panel 300x128x15mm 	<b>2Pcs</b> 
<b>13</b> Drawer End Panel 709x128x15mm 	<b>2Pcs</b> 	<b>14</b> Drawer Base Panel 718x294x2.5mm 	<b>2Pcs</b> 	<b>15</b> Drawer Base Supporting Panel 285x50x15mm 	<b>2Pcs</b> 
<b>16</b> Back Panel 1450x396x2.5mm 	<b>2Pcs</b> 	<b>17</b> Kick Panel 766x70x15mm 	<b>1Pcs</b> 	<b>18</b> Door Panel 1214x388x15mm 	<b>1Pc</b> 

# The Breakdown...

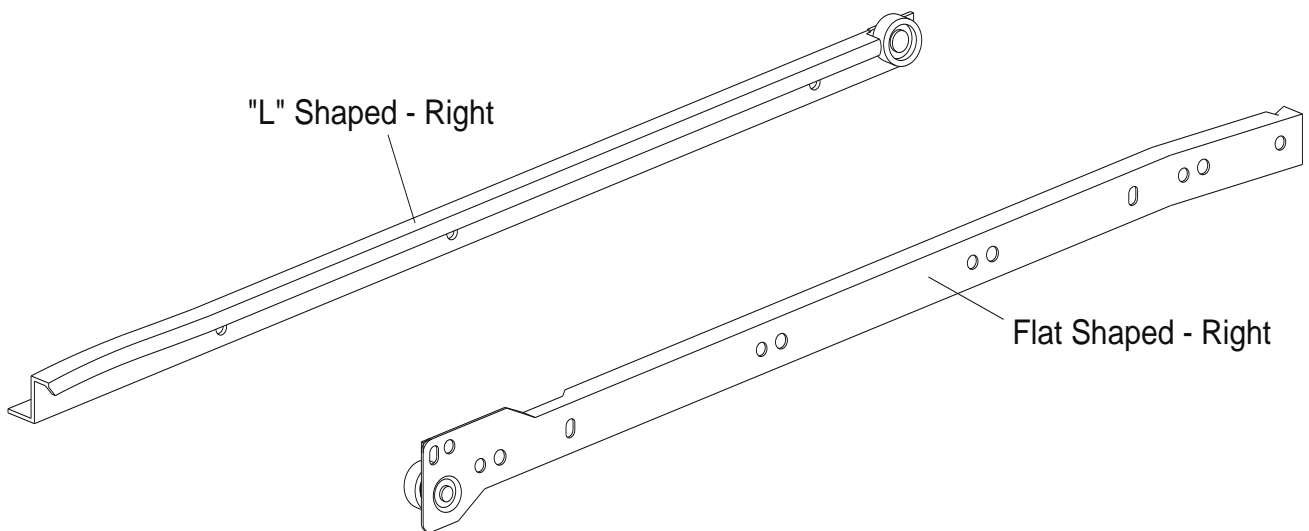


In hardware list, you will find two bundles of drawer slide (I), here you need to differentiate left and right as shown in picture below.

## Left Drawer Slide(I)

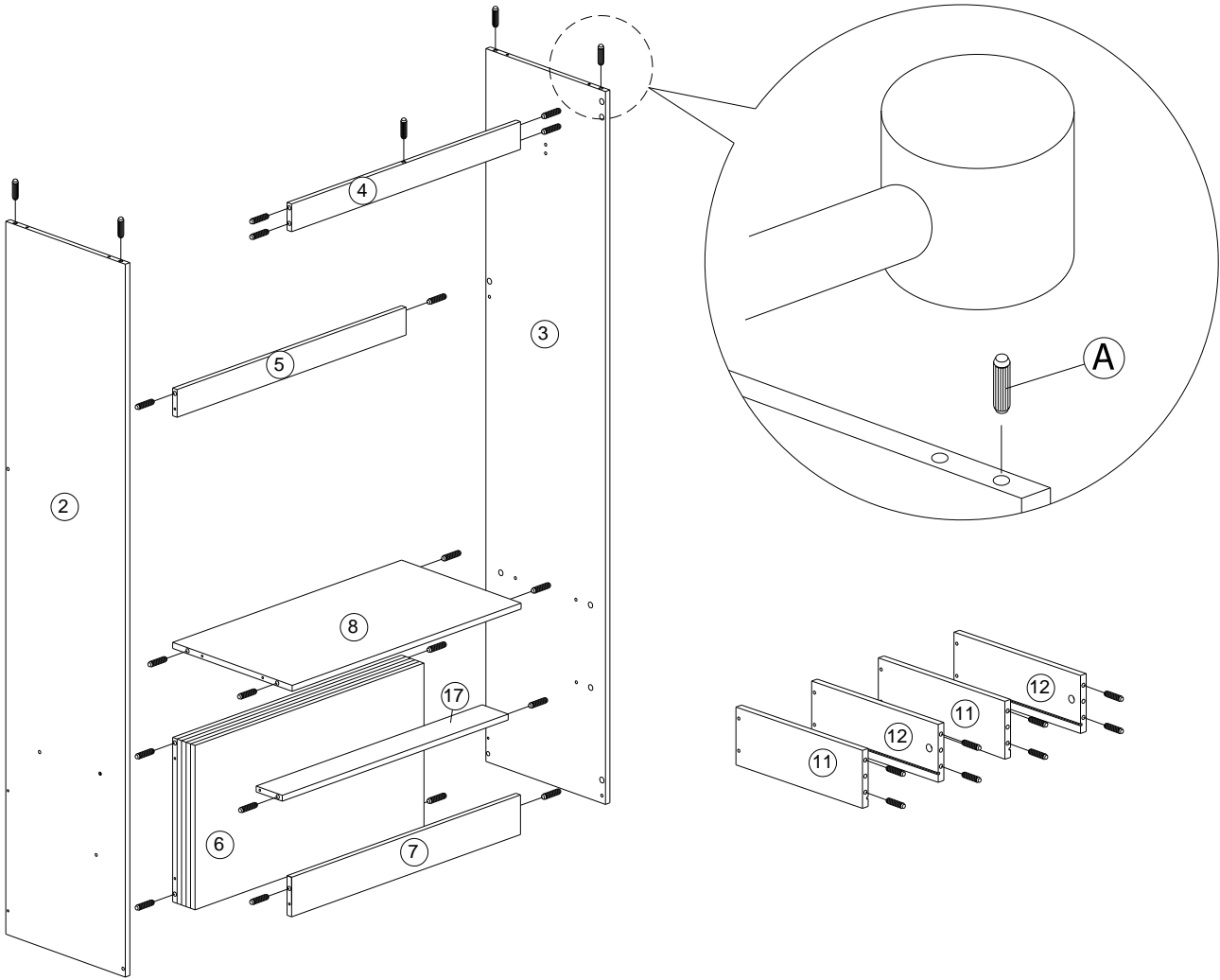


## Right Drawer Slide(I)



# Step 1

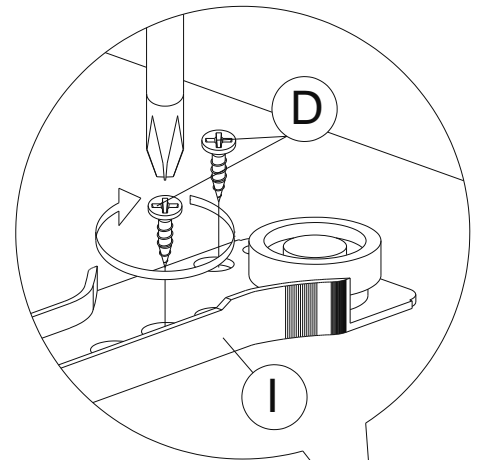
\*Insert PVC dowel (A) to panel 2, 3, 4, 5, 6, 7, 8, 11, 12 and 17's into the holes as shown, using hammer to gently tap them in.



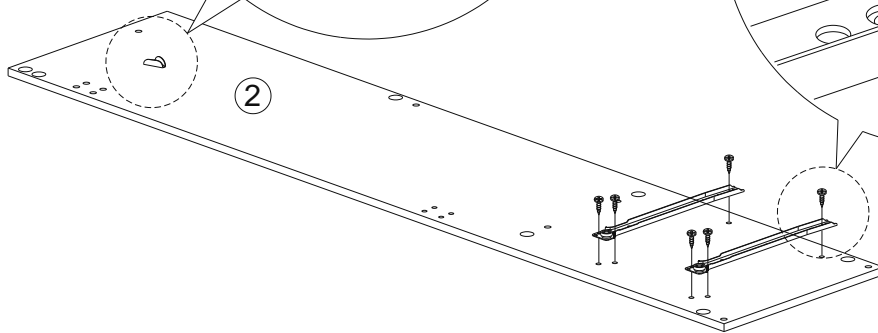
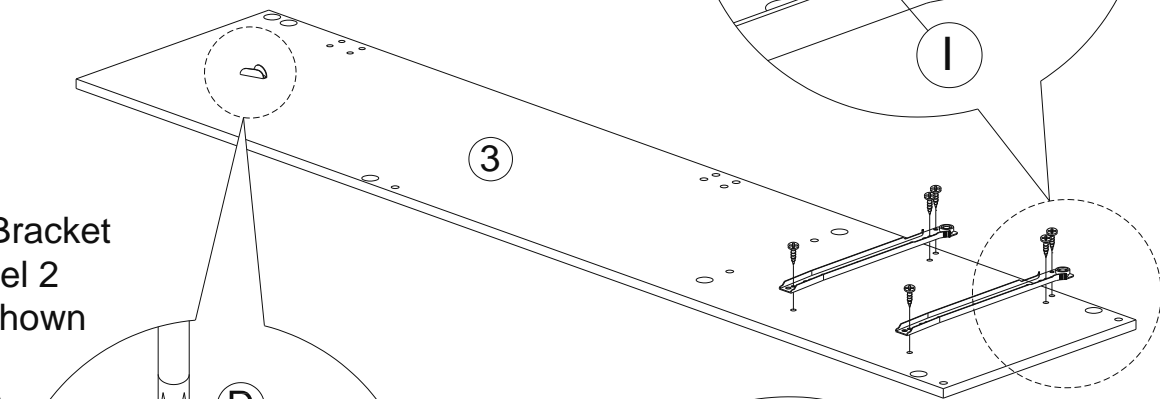


## Step 2

Place the flat shaped - right of the drawer slide (I) at the predrilled holes on the panel 3 as shown. Then tighten each drawer slide (I) with 3 screws (D).



Fasten V-Bracket (K) on panel 2 and 3 as shown by using 2 screws (D).

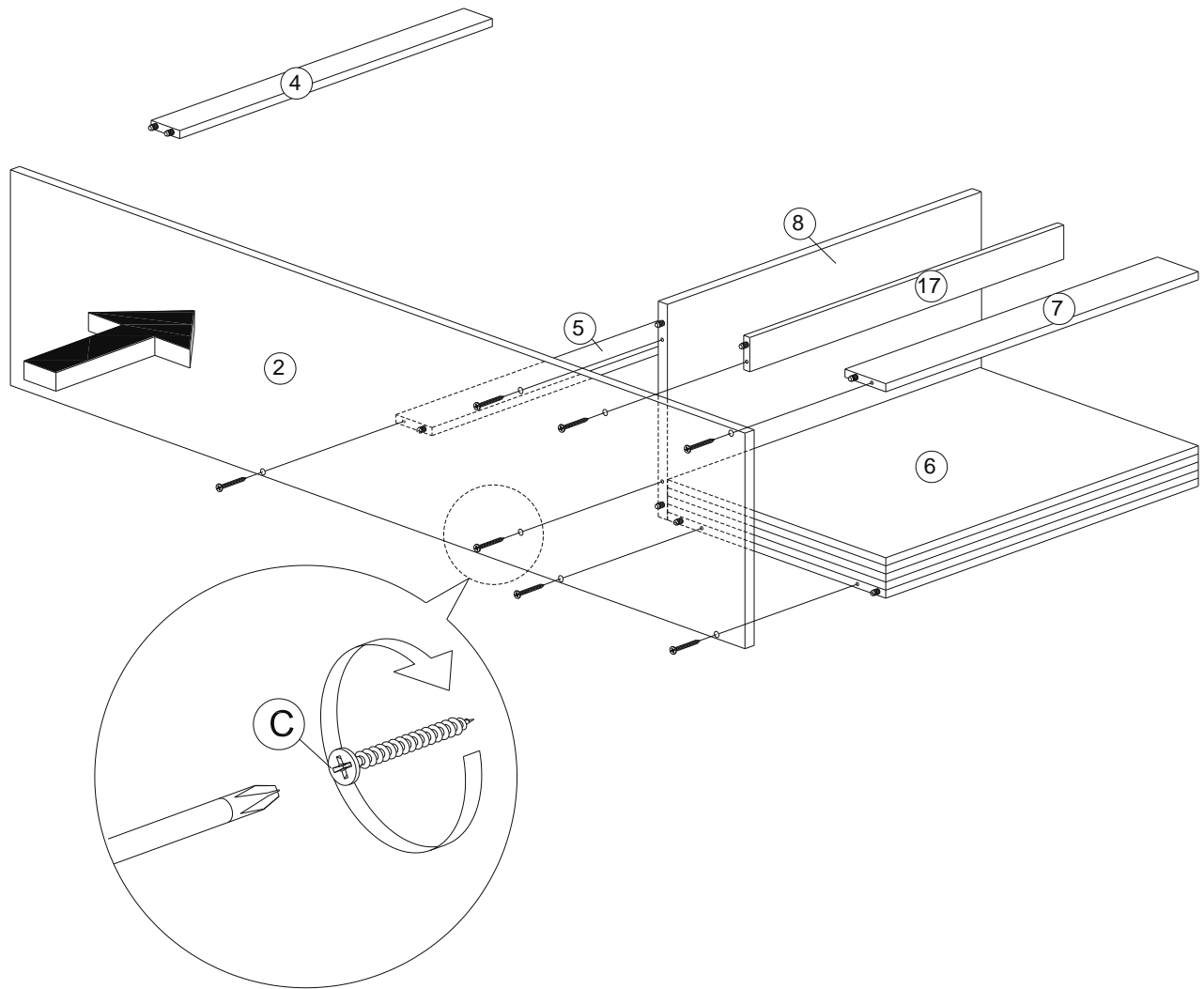


Place the flat shaped - left of the drawer slide (I) at the panel 2 as shown. Then tighten each drawer slide (I) with 3 screws (D).

## Step 3

\*Place and fix panel 4, 5, 6, 7, 8 and 17 onto panel 2 by inserting the (Left) dowels onto the non-thru holes at panel 2 by slightly tapping them with hammer.

\*Insert and fasten screws (C) (Using predrilled holes on Panel 2) into the panel 4, 5, 6, 7, 8 and 17.

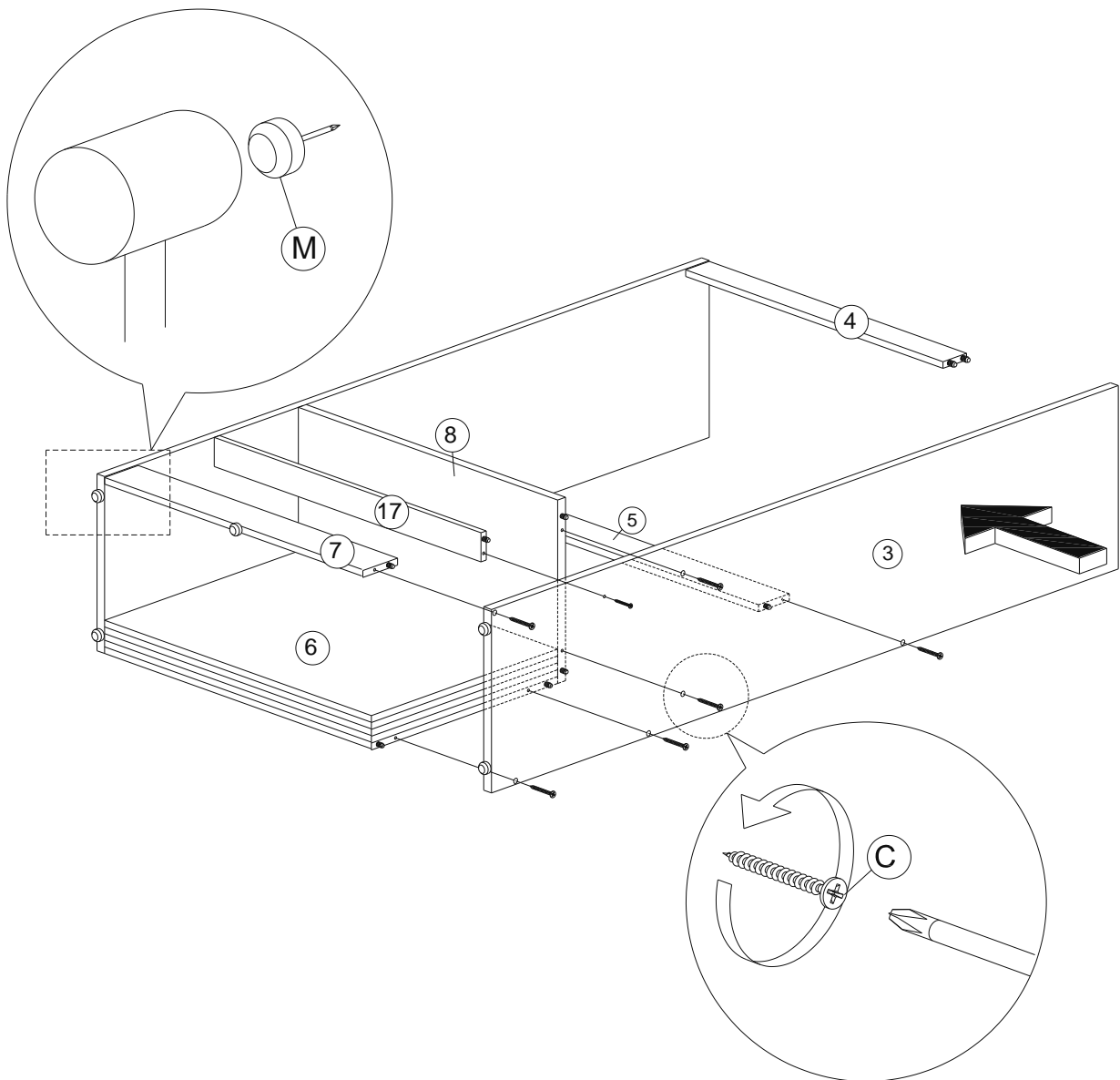


## Step 4

\*Fix panel 3 onto panels 4, 5, 6, 7, 8 and 17 by inserting the (Right) dowels onto non-thru holes on panel 3 by slightly tapping them with hammer.

\*Fasten screws (C) from outside of panel 3, using the predrilled holes to attach panels 4, 5, 6, 7, 8 and 17.

\*Place the nail leg (M) on the two sides of panel 2 and panel 3.

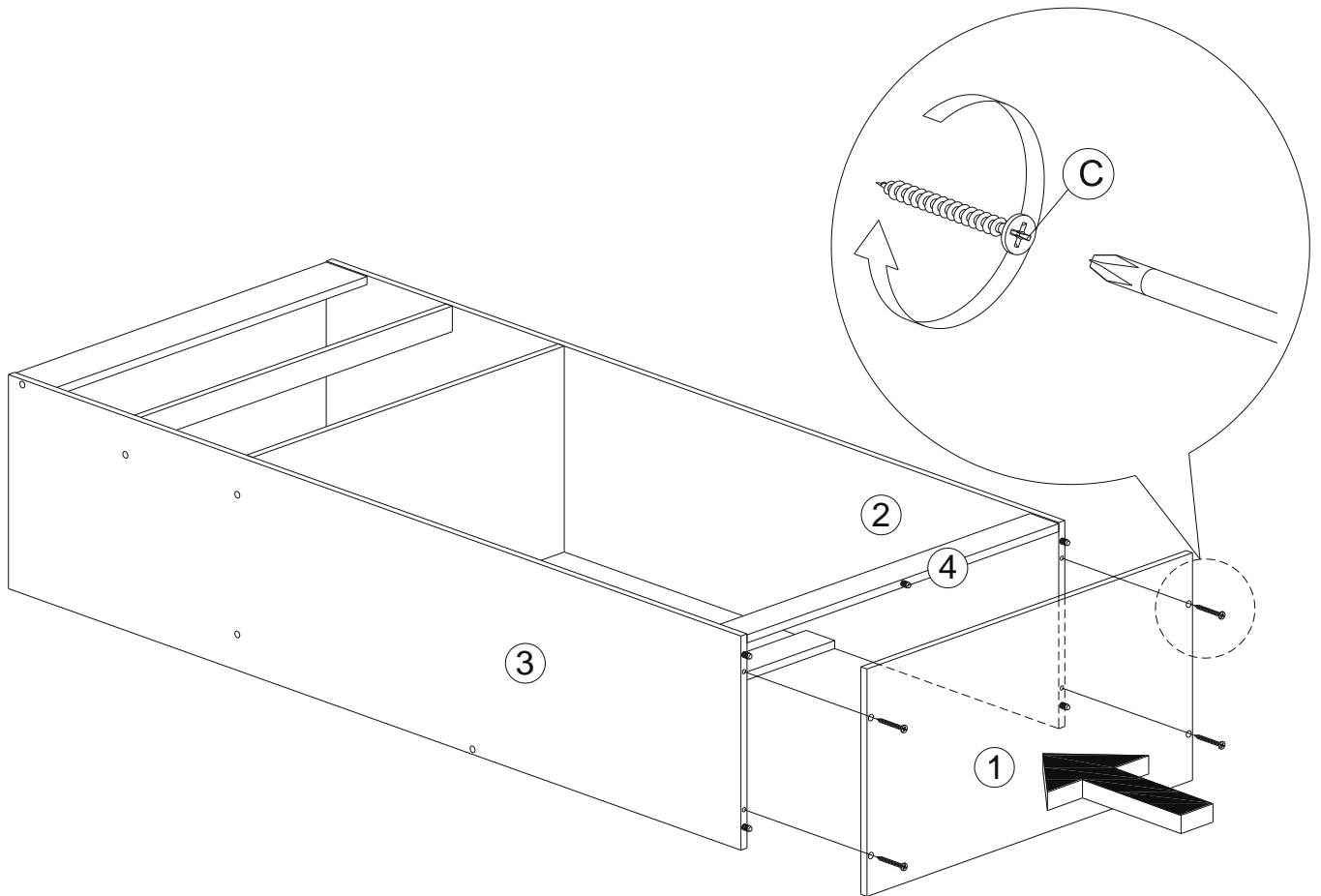


## Step 5

\*Fix panel 1 onto panel 2 and 3 and align properly by inserting 5 dowels on panel 2, 3 & 4 onto the non-thru holes of panel 1.

\*Gently tap panel 1 on panels 2, 3 & 4 dowels.

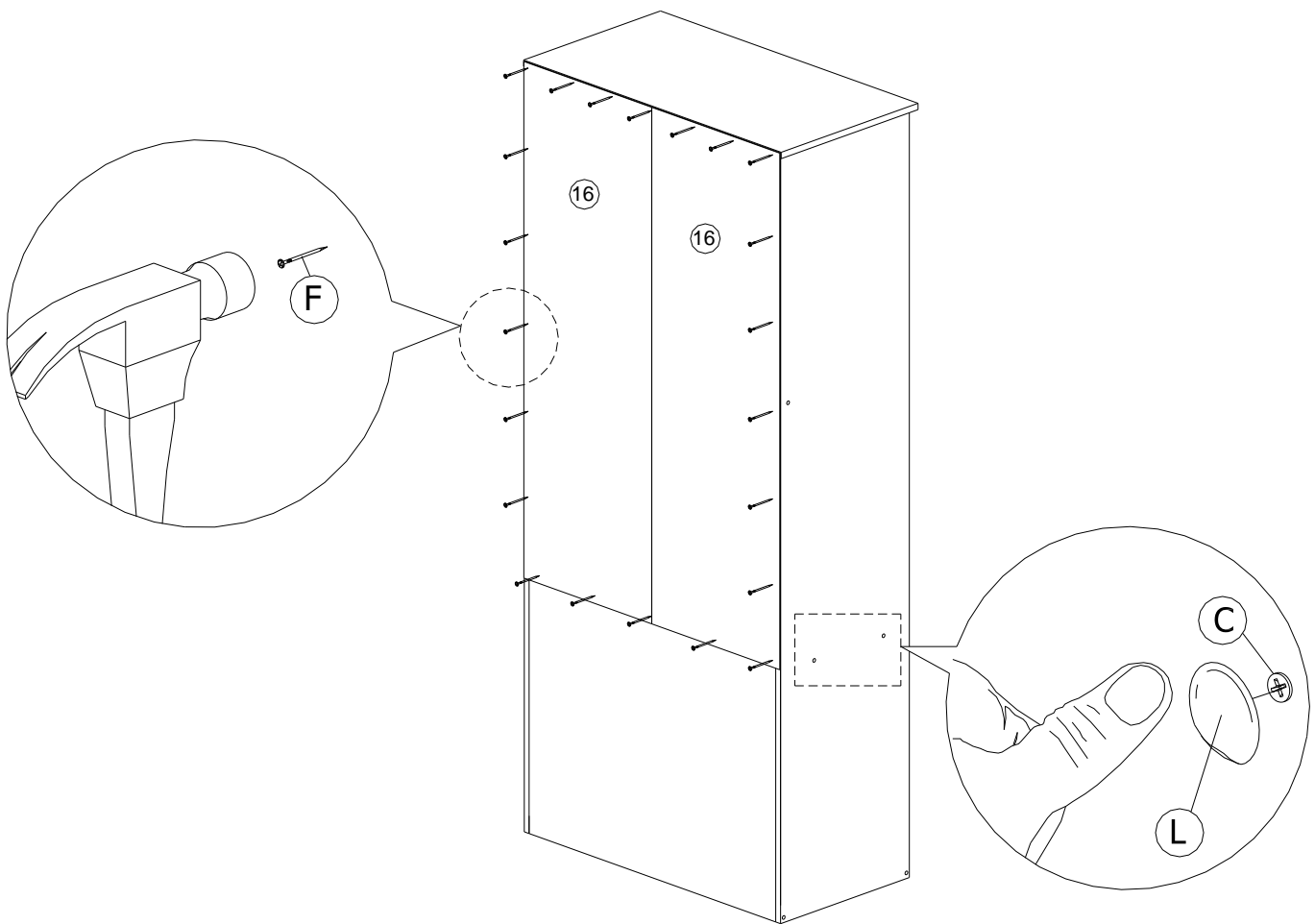
\*Fasten 4 screws (C) on panel 1 to attach panels 2 & 3.



## Step 6

\* Fix approximately 30 pieces of nails (F) into panel 16 using a hammer.

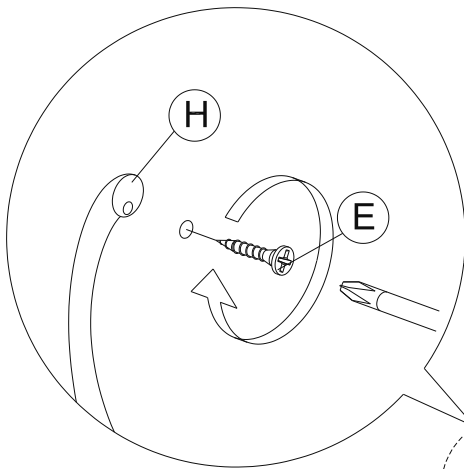
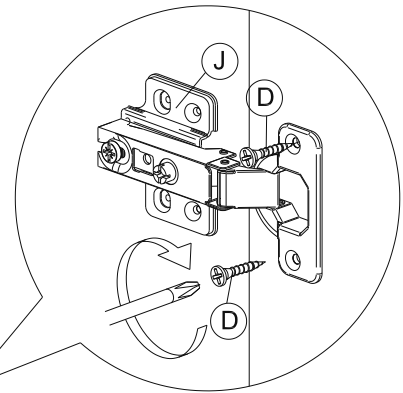
\*Cover all the screws (C)' head with sticker (L) provided by stick up onto hole of screw (C)' heads one by one.



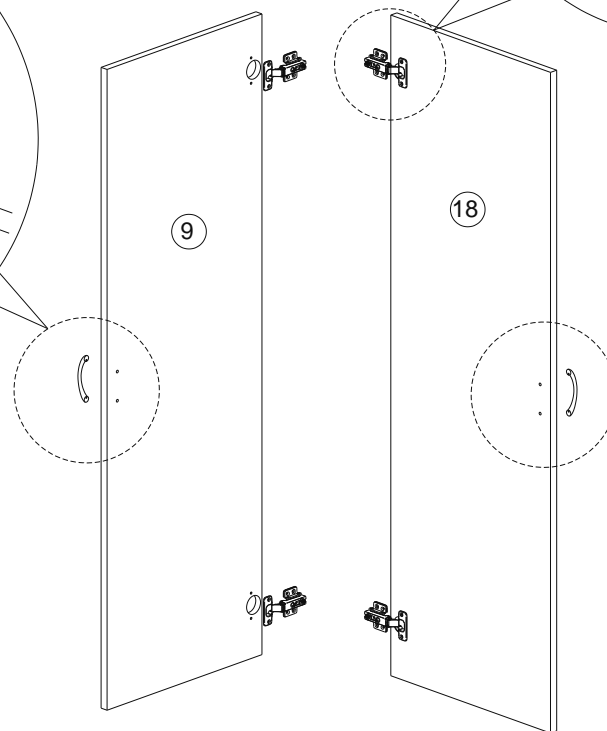
## Step 7

\*Insert 4 hinges (J) onto panel 9 and 18's predrilled holes, then fasten screws (D) into hinges (J).

1. Panels 9 and 18 doors can be used for both right side and left side.



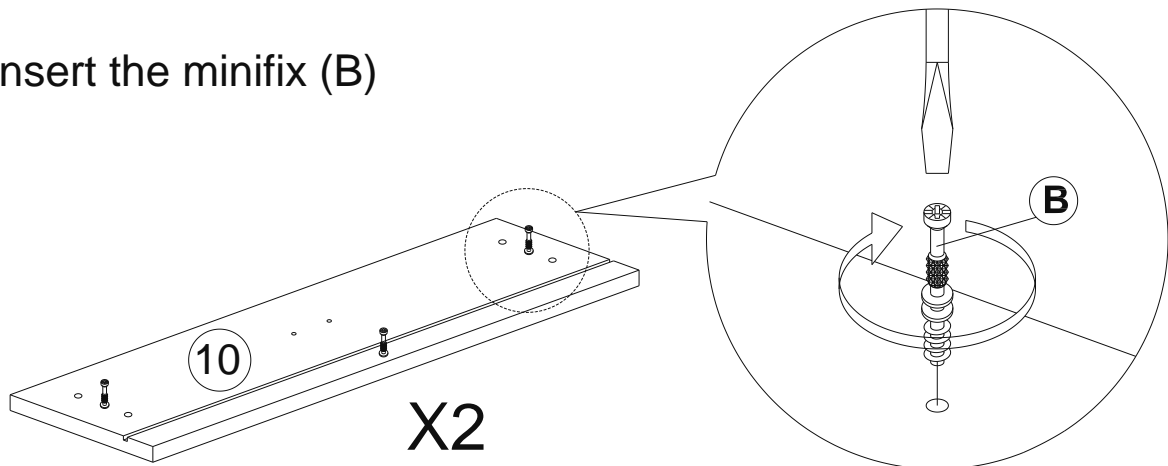
2. Fasten 2 screws (E) from inner side of door panel 9 and 18 into the handle (H) holes.



## Step 8

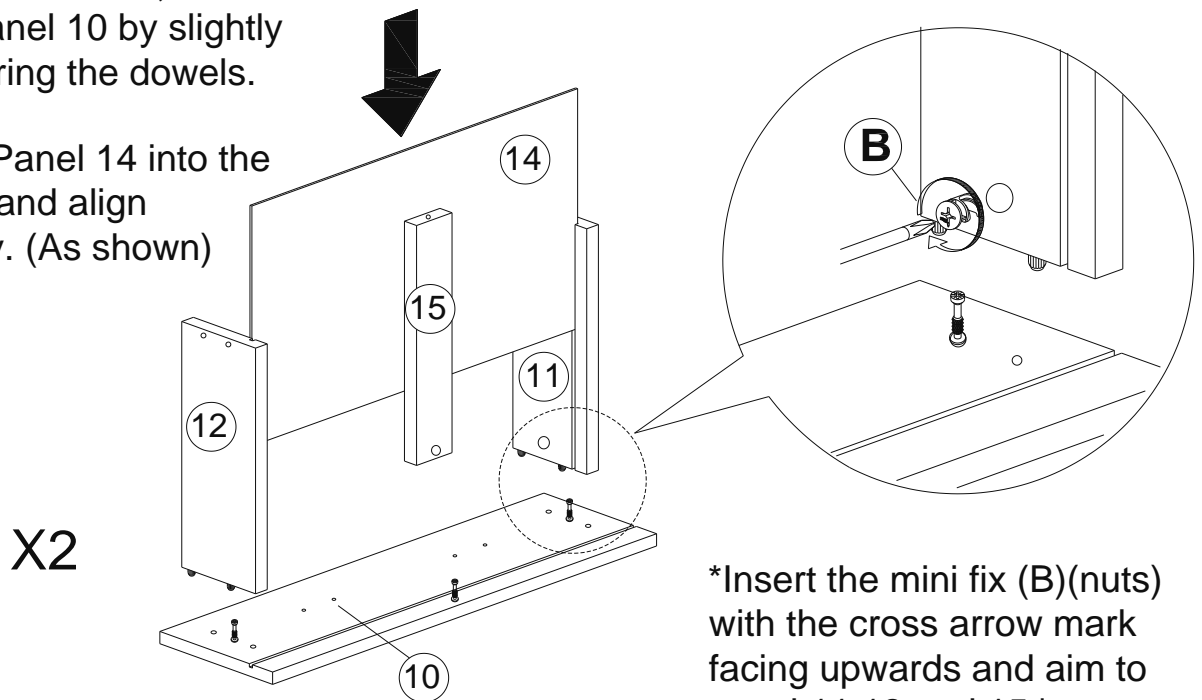
### Assembly Of Drawer: 2 Drawers

\*Insert the minifix (B)



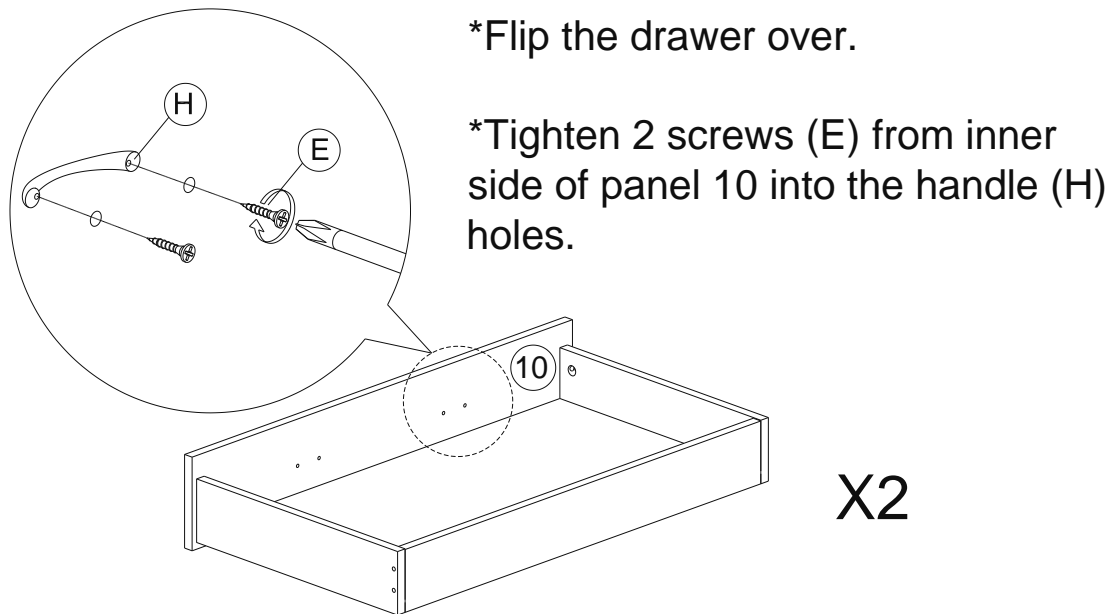
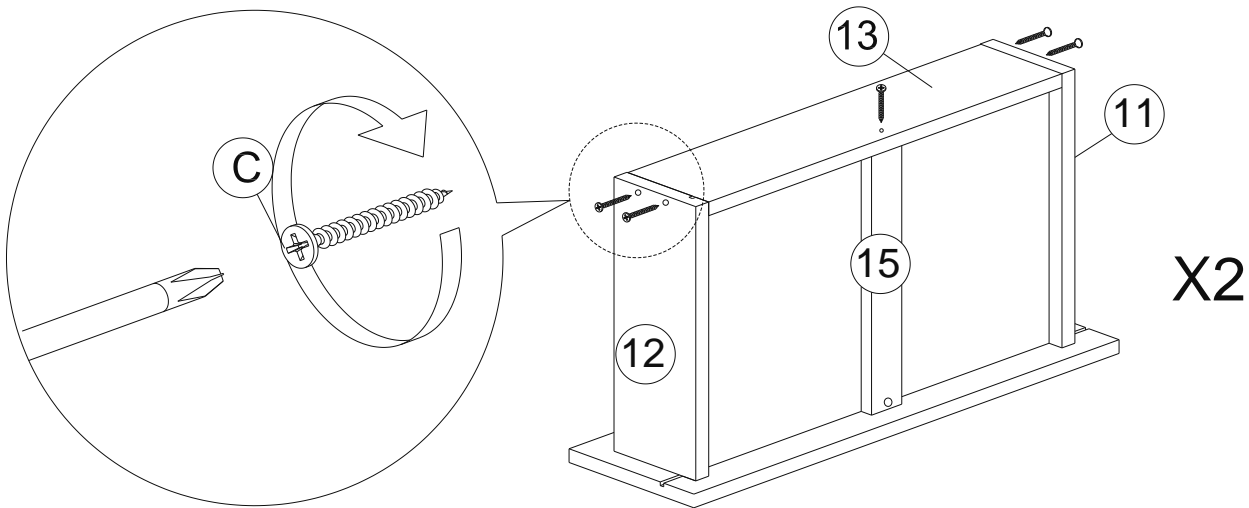
\*Insert Panels 11,12 and 15 on to panel 10 by slightly hammering the dowels.

\*Insert Panel 14 into the drawer and align properly. (As shown)



\*Insert the mini fix (B)(nuts) with the cross arrow mark facing upwards and aim to panel 11,12 and 15 's top thru holes.(As shown)

- \*Place panel 13 on each side of panel 11 and 12 as shown.
- \*Then, tighten screws (C) to panel 11's upper thru holes to fix them onto panel 13.
- \*Next tighten screws (C) to panel 12's upper thru holes to fix up to the panel 13.
- \*Tighten screws (C) to panel 13's upper thru holes to fix up to the panel 15.



\*Flip the drawer over.

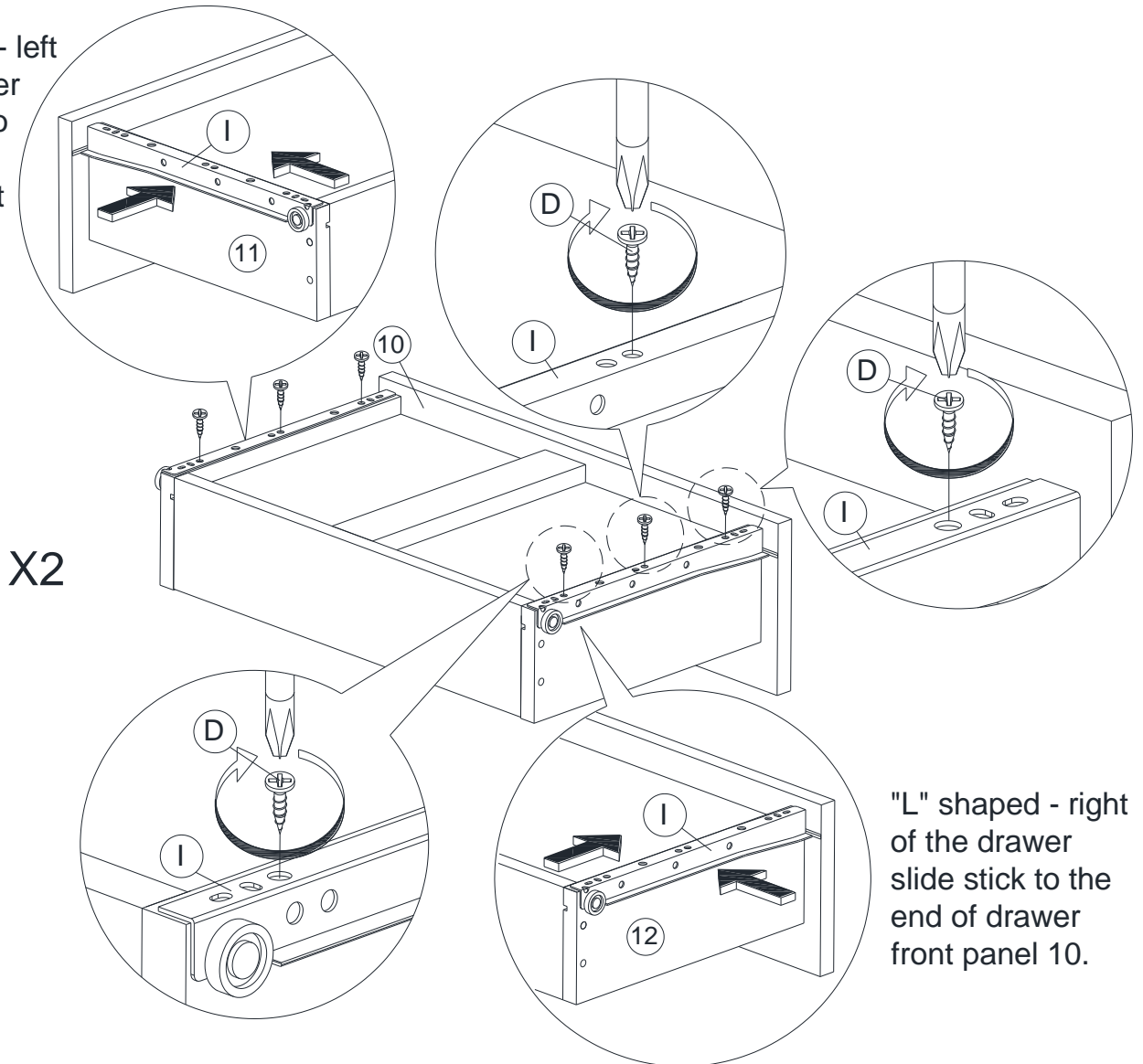
\*Tighten 2 screws (E) from inner side of panel 10 into the handle (H) holes.



# HODEDAH®

Place the "L" shaped drawer slide (I) with the small white roller facing outwards and should be in parallel with drawer front panel 10. Then tighten 3 screws (D) on each drawer slide (I).

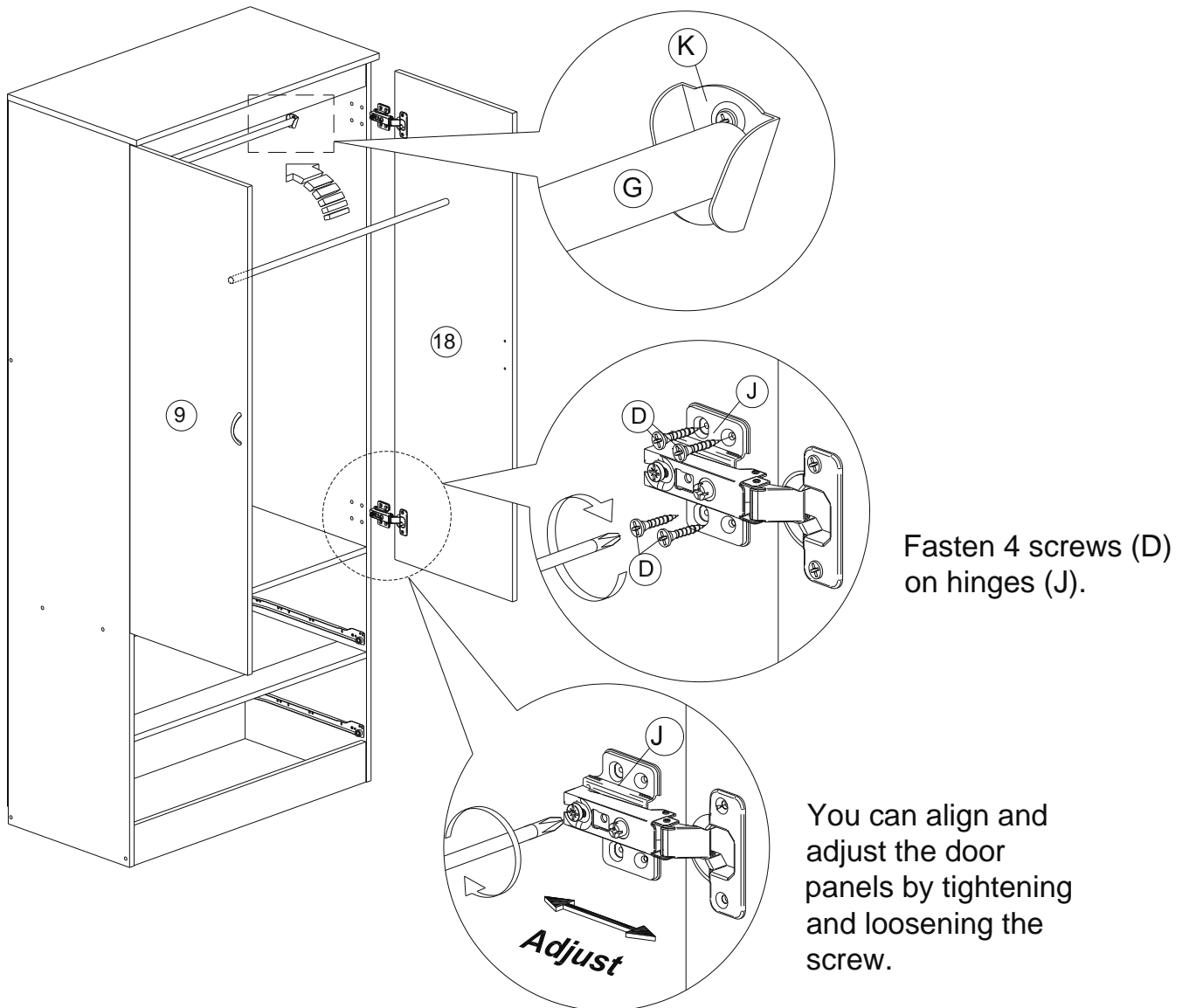
"L" shaped - left of the drawer slide stick to the end of drawer front panel 10.



## Step 9

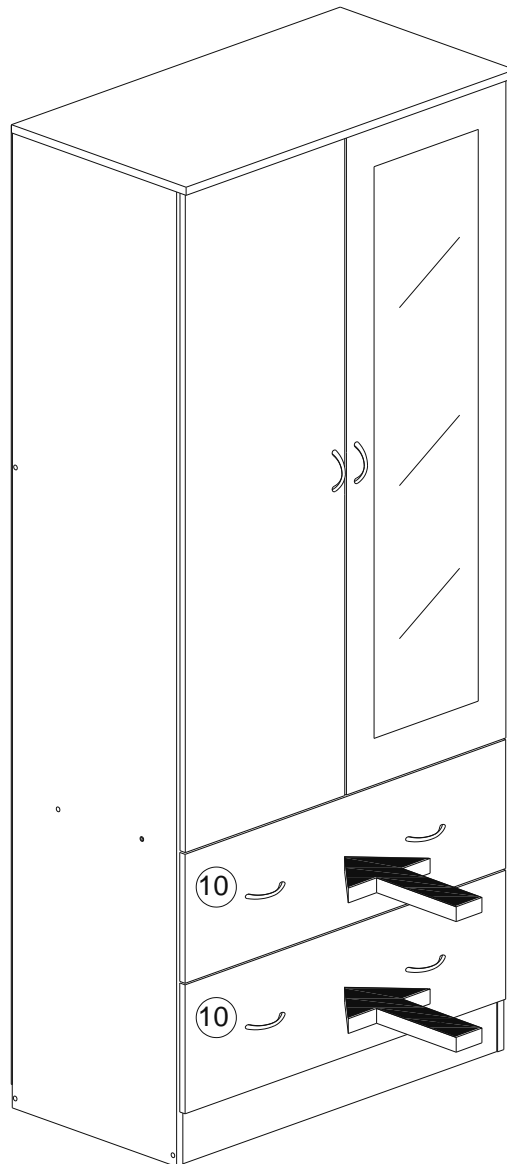
### Almost there

\*Place hanger (G) onto panel 2 and 3's V-bracket.

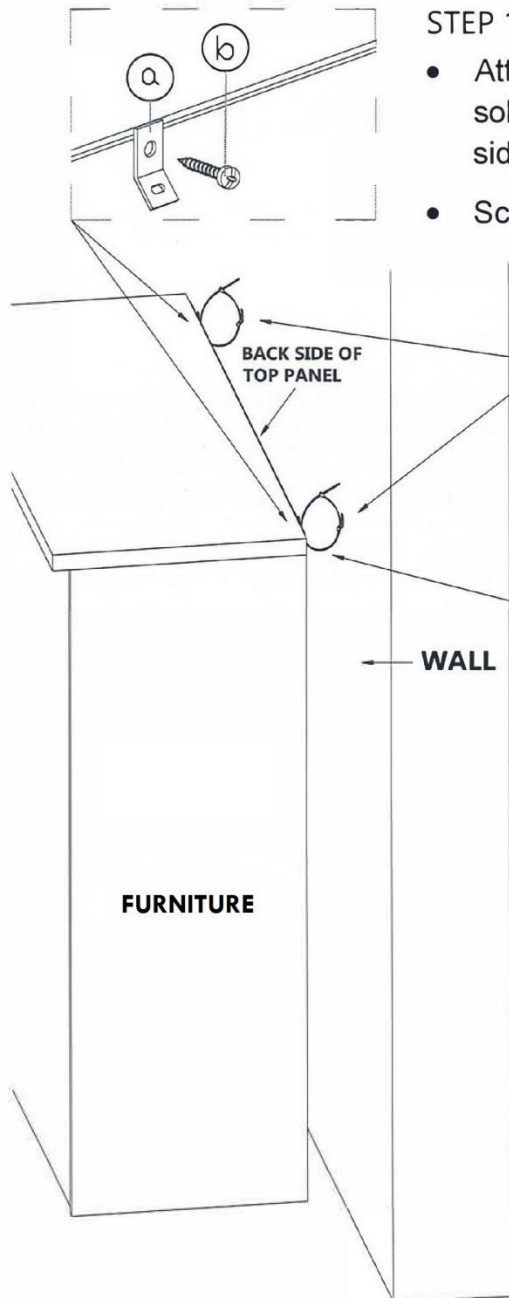


## Step 10

\*Take all drawers, and slide them (the white rollers at drawer slide at both side of drawers are to go into the track of the slide at each side panel.) All the way gently, one drawer by one drawer starting from bottom to the top accordingly.



## FITTING OF ANTI-TIP SAFETY STRAP



### STEP 1:

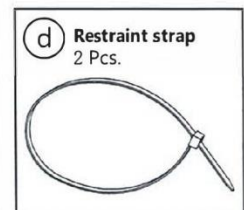
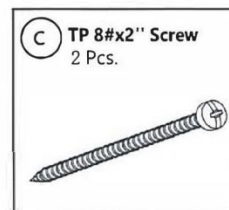
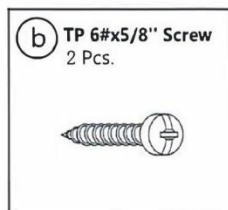
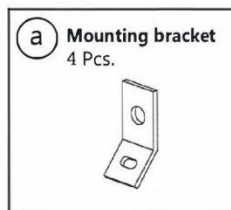
- Attach the mounting bracket (a) to the furniture in the solid part below the top panel a few inches away from the side of the unit.
- Screw (b) through the smallest hole of (a).

### STEP 2:

- Locate a stud in behind the wall you have to
- Place the other mounting bracket (a) on the wall stud 2 inches below the mounting bracket secured to the back of your unit.
- Attach to the wall stud using (c) through the smaller hole of (a).

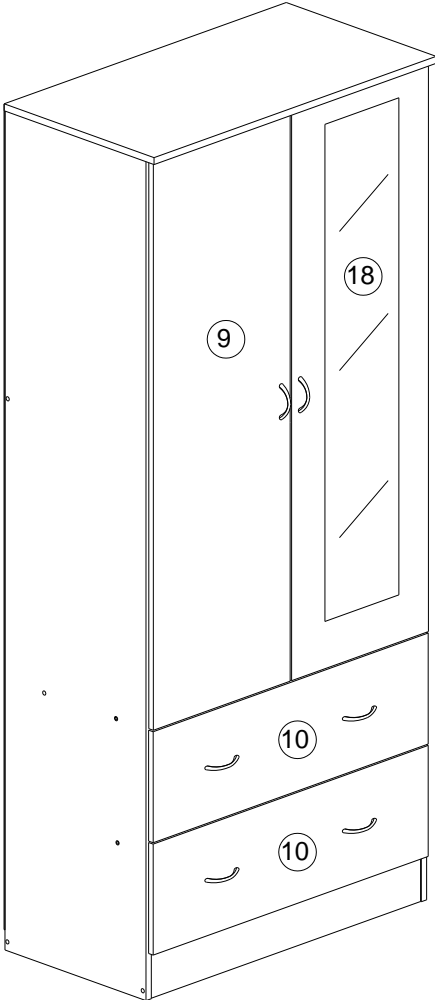
### STEP 3:

- Repeat the same step a few inches away from the other side of the unit.
- Place the furniture into position so both mounting brackets are vertically in line.
- Lace the end of the restraint strap through the larger holes in each mounting bracket.
- Secure the straps and lock into place.



**HODEDAH®**

**Job Complete...**



**Enjoy & Thank you for purchasing from Hodedah!**

