

Assembly Instructions

This instruction booklet contains important safety information, please read and keep for future reference.

ITEM # HI80DR

8 DRAWER DRESSER



2 people



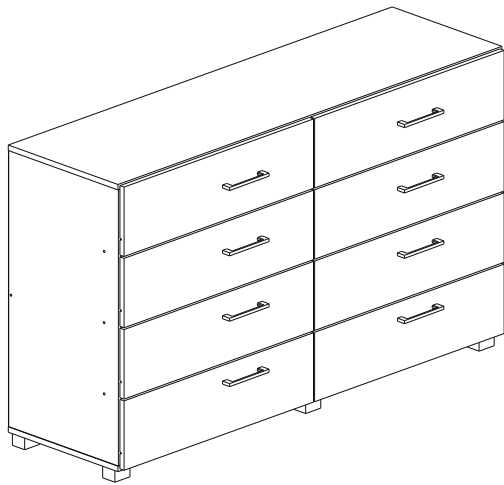
90mins



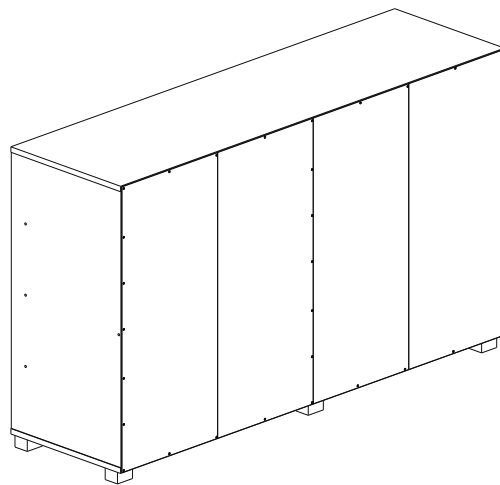
1 YR LTD



1 Box



FRONT VIEW



BACK VIEW

Product Dimensions: Height 32.67" x Width 55.11" x Depth 15.74"

Weight Capacity per drawer: 20 lbs.



Phone

Mon – Fri | 9:30 am to 5pm EST

1 - 855 – HODEDAH

1 – 855 – 463 -3324



Email

Send us an email

Support@Hodedah.com



Website

Visit our website to open a case

www.Hodedah.com

Questions, need parts, we are here to help!

FOR PROMPT, RELIABLE SERVICE PLEASE HAVE YOUR INSTRUCTION MANUAL READY



DO NOT RETURN PRODUCT TO THE STORE

If parts are missing or damaged please contact our customer service team and we will gladly ship your replacement parts **FREE** of charge within **ONE YEAR** of purchase!

WARRANTY

Hodedah warrants this product to be free from defects in materials and workmanship and agrees to remedy any such defect. This warranty covers one year from the date of original purchase. This is solely limited to replacement of defective parts and no assembly for labor is included. This warranty does not apply to any product that has been improperly assembled, subjected to misuse, abuse or which has been altered or repaired in any way. To obtain warranty service, original purchaser must present the following; original bill of sale, date of purchase, where the product was purchased and images if applicable. Components replaced warranted through the remainder of the original warranty only. The defective part will be replaced without charge, subject to the terms and conditions described above.

WARNING

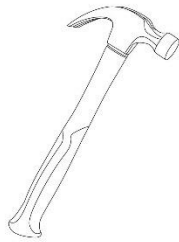
- This product contains small parts, keep away from children.
 - This product contains plastic bags, keep away from children.
 - Serious or fatal crushing injuries can occur from furniture tip-over. To help prevent this, place heaviest items on the lower shelves and drawers. Do not set heavy objects on top shelves and drawers.
 - Never allow children to climb or hang on drawers, shelves and doors.
 - Never open more than one drawer at a time.
 - The use of tip-over restraints may reduce but not eliminate the risk of tip-over.
-

Let's get started...

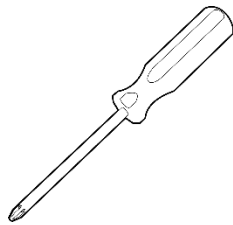
Helpful hints, read before beginning assembly

- Make sure you receive all boxes. If your item is packed in one box, box count will read 1 of 1, likewise if your item is packed in two boxes, box count will read 1 of 2 and second box will read 2 of 2.
- Read each step carefully. It is very important that each step is performed in the correct order. If these steps are not followed in sequence, assembly difficulties will occur.
- Work in a spacious level area, preferably carpet, near the place the unit will be used.
- **DO NO USE** power tools to assemble your furniture, it will strip and damage parts.
- Your package should include the following hardware and parts. Parts are labeled or stamped on the raw edge. Please inspect contents to ensure you have received all components. **If you are missing any hardware or parts please contact customer service right away before assembly.**

Assembly Tools Required(not supplied)



Hammer



Phillips Screwdriver



Tape Measure

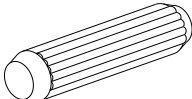
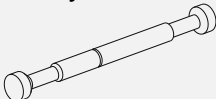
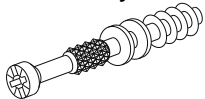
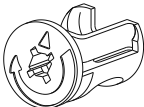
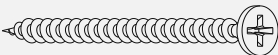
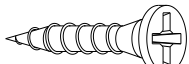

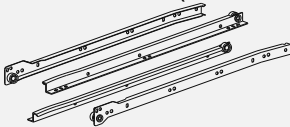
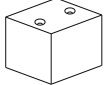

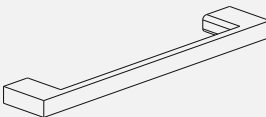
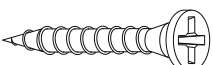
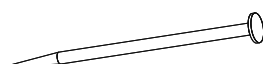


No Power Tools Needed

Product Care and Maintenance

- Wipe clean with dry soft cloth, never use chemicals or cleaning products that will damage the finish.
- Avoid placing your furniture in direct sunlight, as sunlight causes fading.
- Never push, drag or pull your furniture, to move to a new location carefully with two or more people carry the unit to its new location.
- Avoid extreme changes in temperature by arranging furniture away from radiators, heat and air vents and air conditioning units.

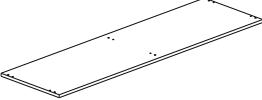
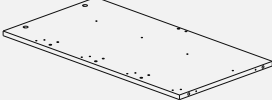
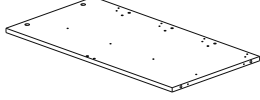
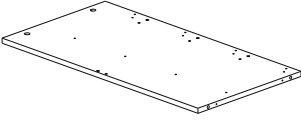
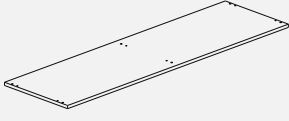
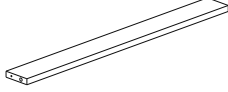
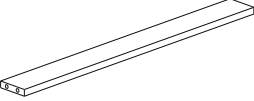
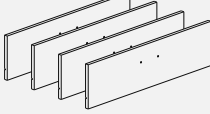
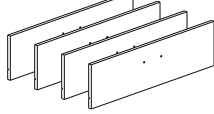
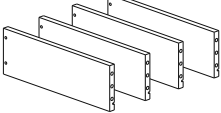
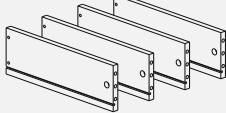
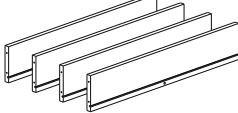
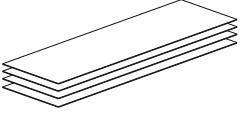
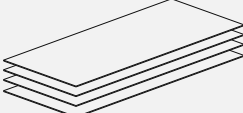
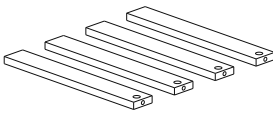
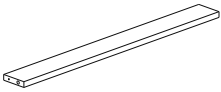

Hardware List

A 8x25mm Dowel 	QTY 60Pcs <input type="checkbox"/>	B 63mm Myfix 	QTY 4Pcs <input type="checkbox"/>	C 33mm Myfix 	QTY 30Pcs <input type="checkbox"/>
D Minifix 	38Pcs <input type="checkbox"/>	E M4x45mm Screw 	54Pcs <input type="checkbox"/>	F M3.5x16mm Screw 	96Pcs <input type="checkbox"/>
G Sticker 	8Pcs <input type="checkbox"/>	H Drawer Slide (300mm) 	8Sets <input type="checkbox"/>	I 40mm Square Leg 	6Pcs <input type="checkbox"/>
J M4x32mm Screw 	12Pcs <input type="checkbox"/>	K Handle 525.160 	8Pcs <input type="checkbox"/>	L M4x28mm Screw 	16Pcs <input type="checkbox"/>
M 6/8 Power Pin 	50Pcs <input type="checkbox"/>				

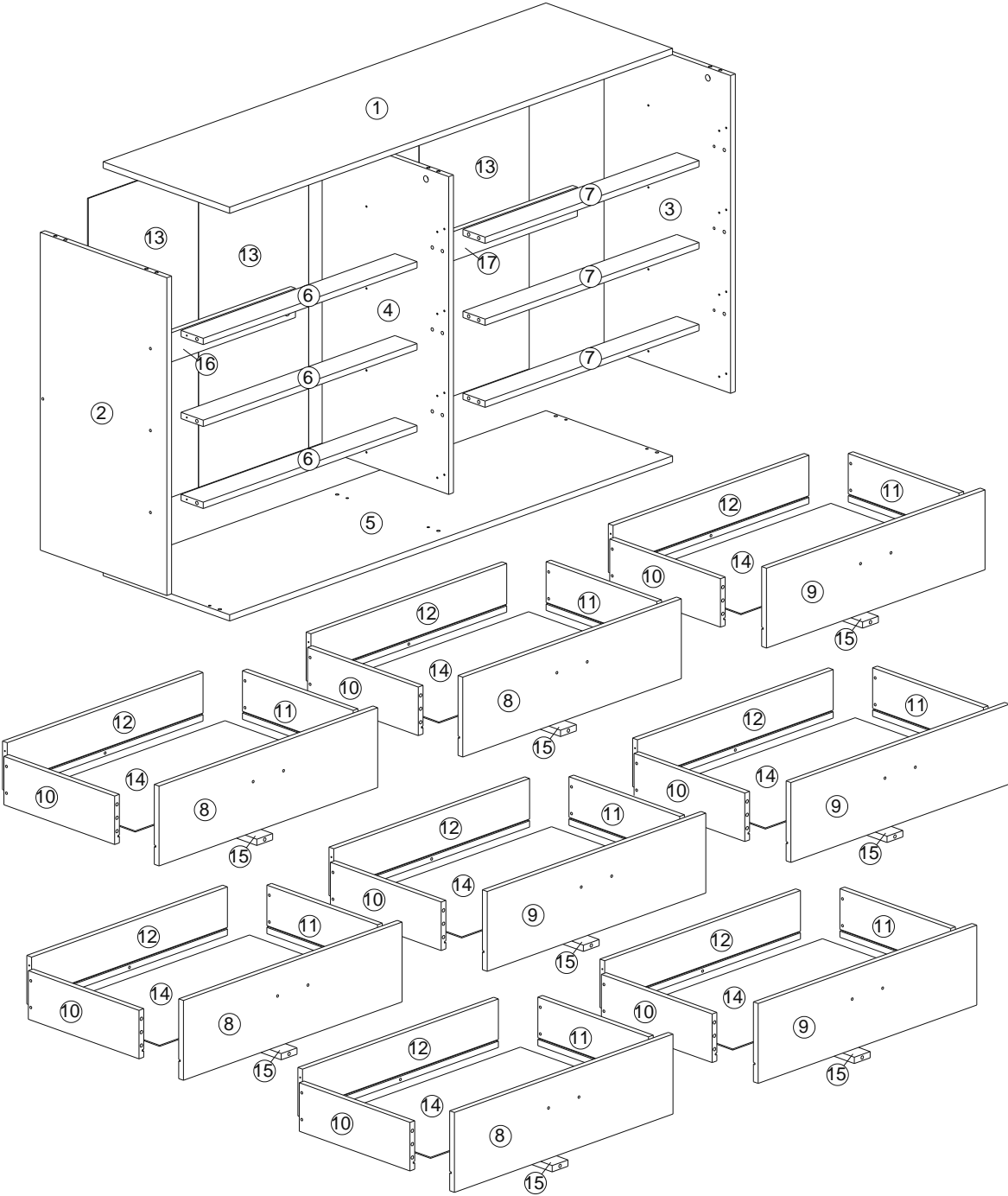
Important

1. Before you throw the package, please use the Check Box to identify the parts and hardware to ensure that you have everything you need.
2. Check and measure the bolts before applying them to parts.
3. Do not completely tighten all hardware until the entire assembly is complete, unless indicated otherwise.

Parts List

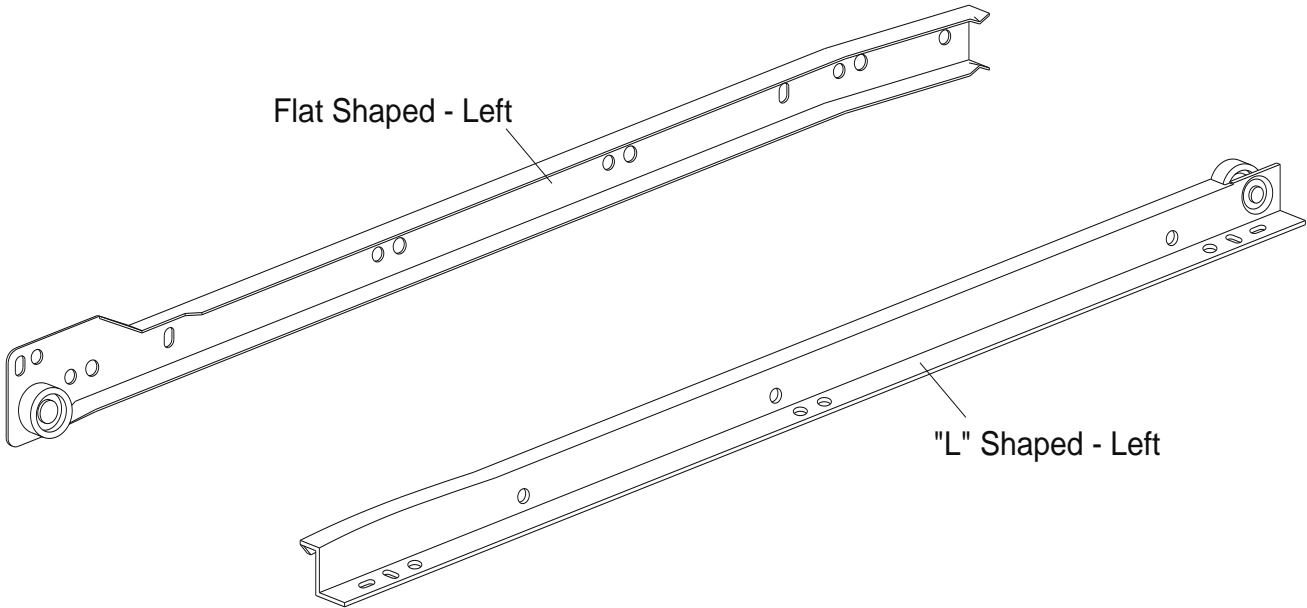
<p>1 Top Panel 1400x400x15mm</p> 	<p>QTY 1Pc</p> <input type="checkbox"/>	<p>2 Left Side Panel 760x400x15mm</p> 	<p>QTY 1Pc</p> <input type="checkbox"/>	<p>3 Right Side Panel 760x400x15mm</p> 	<p>QTY 1Pc</p> <input type="checkbox"/>
<p>4 Divider Panel 760x400x15mm</p> 	<p>1Pc</p> <input type="checkbox"/>	<p>5 Bottom Panel 1400x400x15mm</p> 	<p>1Pc</p> <input type="checkbox"/>	<p>6 Left - Front Strengthening Panel 676x70x15mm</p> 	<p>3Pcs</p> <input type="checkbox"/>
<p>7 Right - Front Strengthening Panel 676x70x15mm</p> 	<p>3Pcs</p> <input type="checkbox"/>	<p>8 Left - Drawer Front Panel 691x191x15mm</p> 	<p>4Pcs</p> <input type="checkbox"/>	<p>9 Right - Drawer Front Panel 691x191x15mm</p> 	<p>4Pcs</p> <input type="checkbox"/>
<p>10 Drawer - Left Side Panel 350x116x15mm</p> 	<p>8Pcs</p> <input type="checkbox"/>	<p>11 Drawer - Right Side Panel 350x116x15mm</p> 	<p>8Pcs</p> <input type="checkbox"/>	<p>12 Drawer End Panel 619x116x15mm</p> 	<p>8Pcs</p> <input type="checkbox"/>
<p>13 Back Panel 788x348.5x2.5mm</p> 	<p>4Pcs</p> <input type="checkbox"/>	<p>14 Drawer Base Panel 628x344x2.5mm</p> 	<p>8Pcs</p> <input type="checkbox"/>	<p>15 Drawer Base Supporting Panel 335x50x15mm</p> 	<p>8Pcs</p> <input type="checkbox"/>
<p>16 Left - Back Strengthening Panel 676x70x15mm</p> 	<p>1Pc</p> <input type="checkbox"/>	<p>17 Right - Back Strengthening Panel 676x70x15mm</p> 	<p>1Pc</p> <input type="checkbox"/>		

The Breakdown...

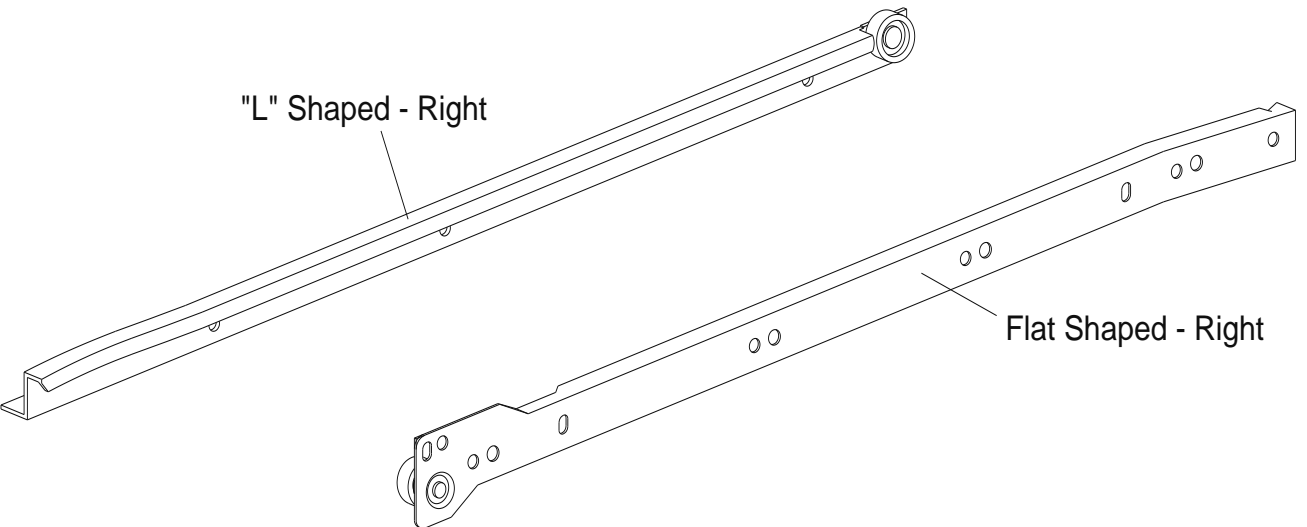


On hardware list, you will find eight bundles of drawer slide (H), left and right as shown in picture below.

Left Drawer Slide(H)



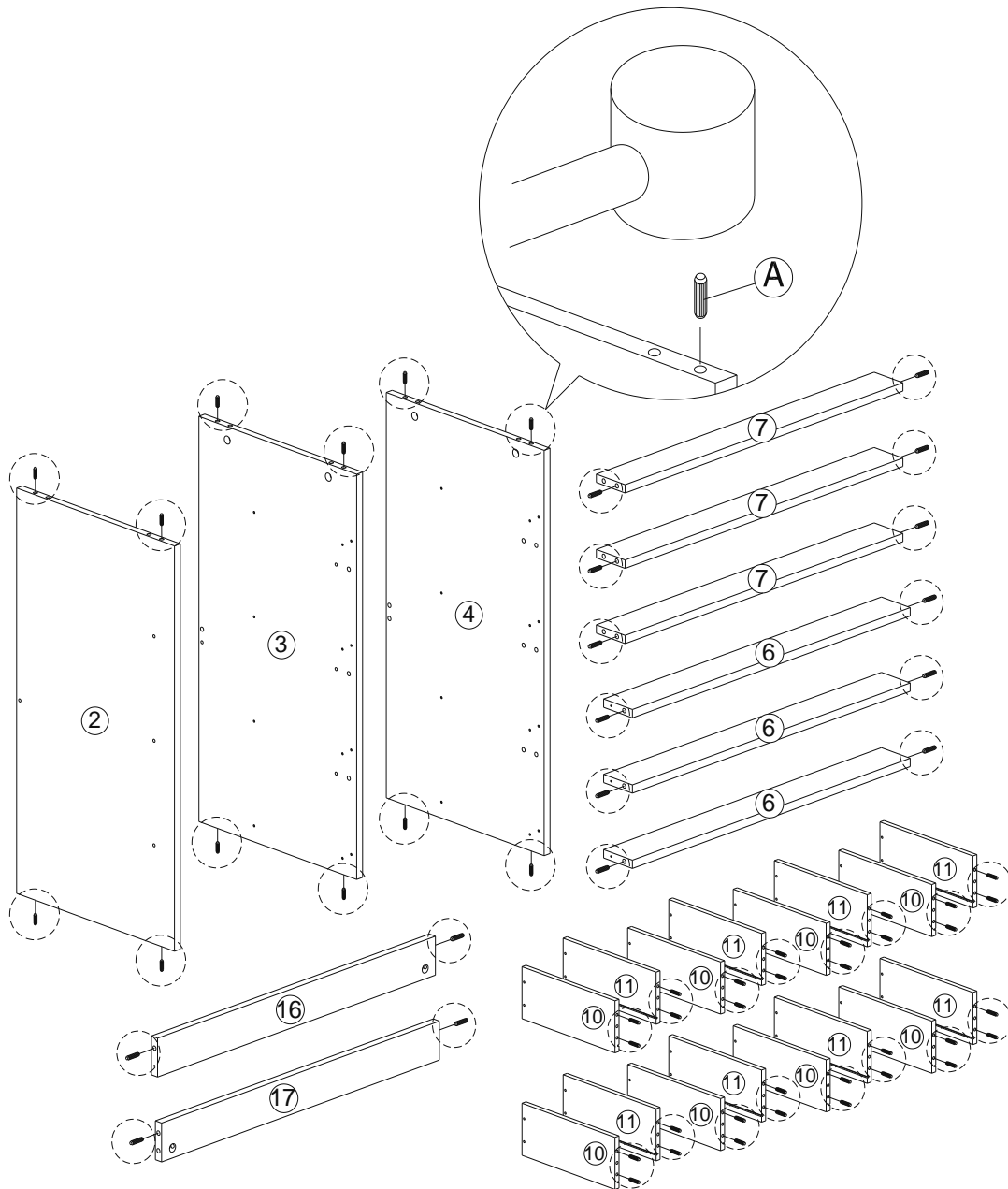
Right Drawer Slide(H)




Step 1

Insert PVC dowels (A) to Panel 2, 3, 4, 6, 7, 10, 11, 16 and 17's non-thru holes as shown, using hammer to gently tap them in.

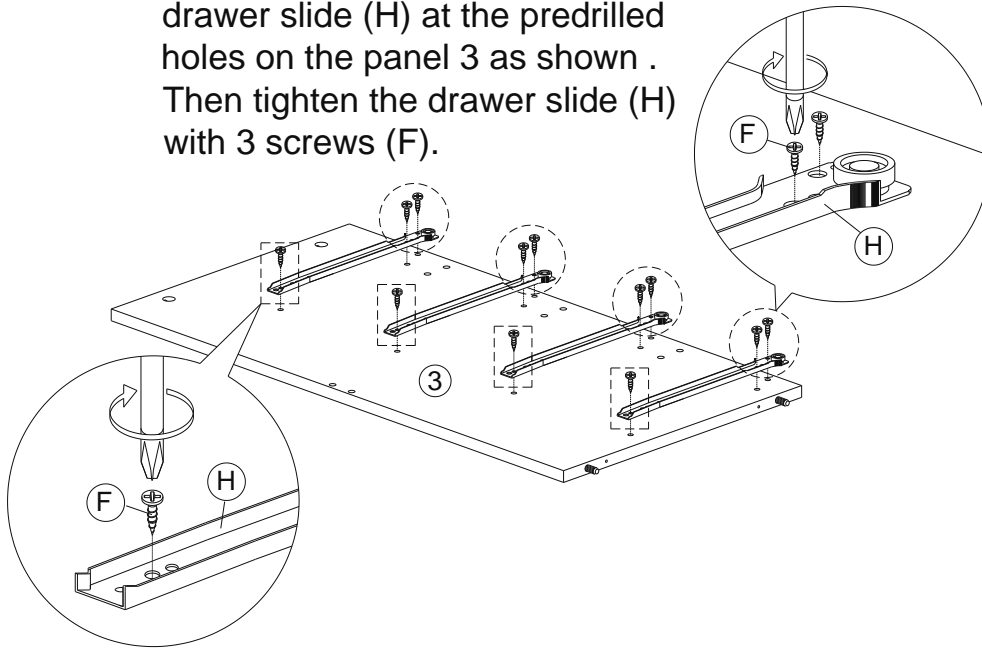
Non-thru holes (are small indents in the wood that show you where the screws should be.)



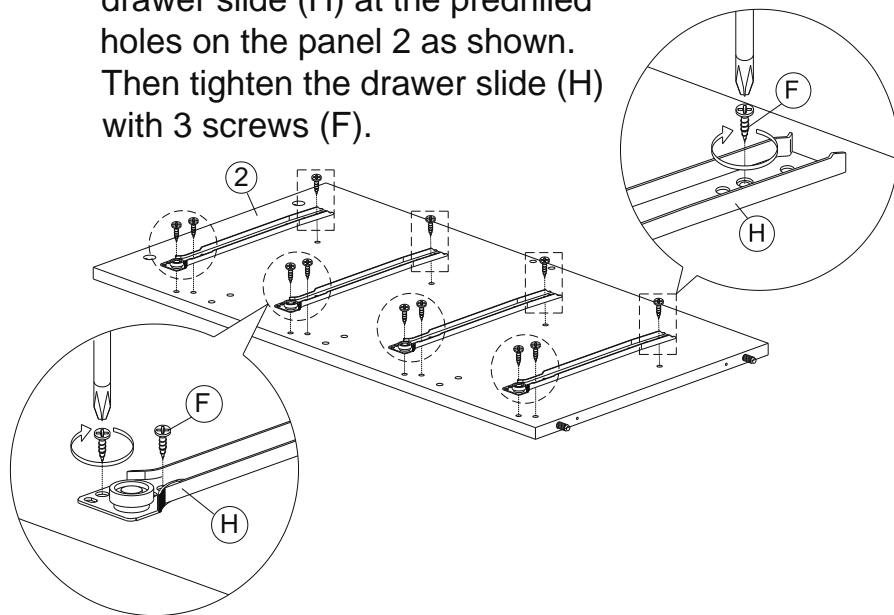
A		8x25mm Dowel	60Pcs
----------	---	--------------	-------

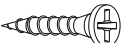

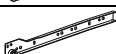
Step 2

Place the flat shaped - right of the drawer slide (H) at the predrilled holes on the panel 3 as shown .
Then tighten the drawer slide (H) with 3 screws (F).



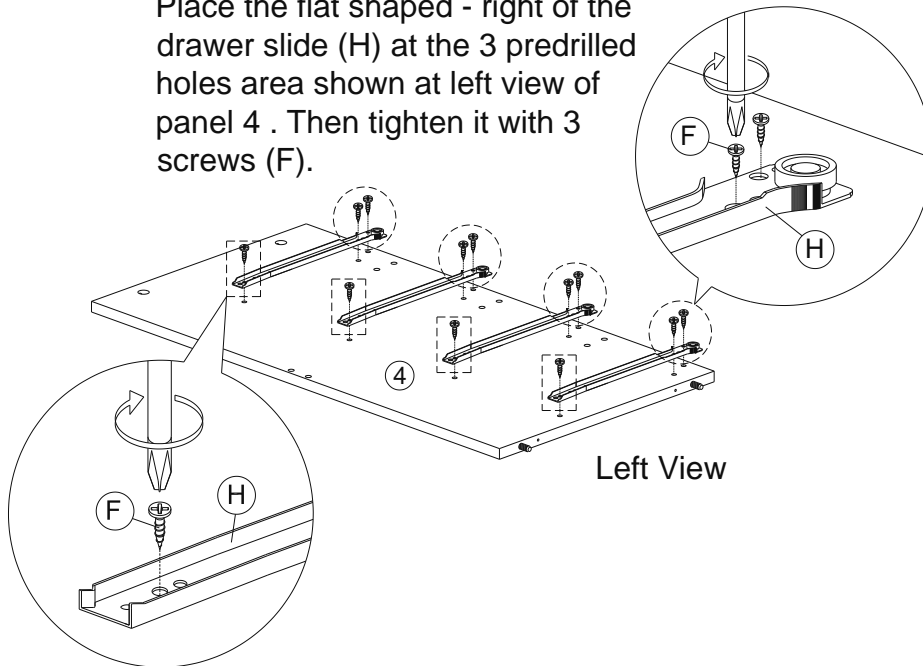
Place the flat shaped - left of the drawer slide (H) at the predrilled holes on the panel 2 as shown.
Then tighten the drawer slide (H) with 3 screws (F).



F		M3.5x16mm Screw	24Pcs
H		Drawer Slide 300mm - Right	4Pcs
H		Drawer Slide 300mm - Left	4Pcs

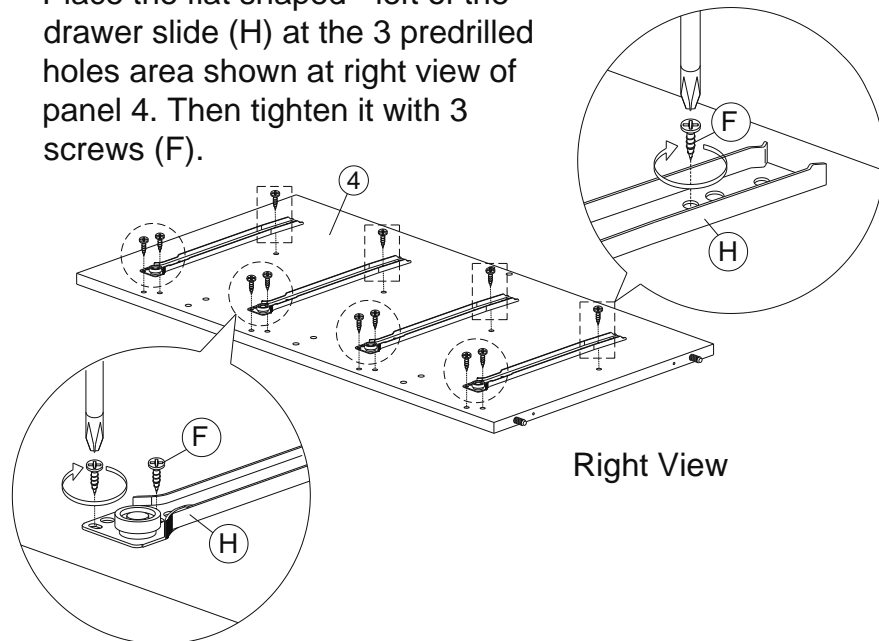
Step 3

Place the flat shaped - right of the drawer slide (H) at the 3 predrilled holes area shown at left view of panel 4 . Then tighten it with 3 screws (F).

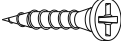




Left View

Place the flat shaped - left of the drawer slide (H) at the 3 predrilled holes area shown at right view of panel 4. Then tighten it with 3 screws (F).

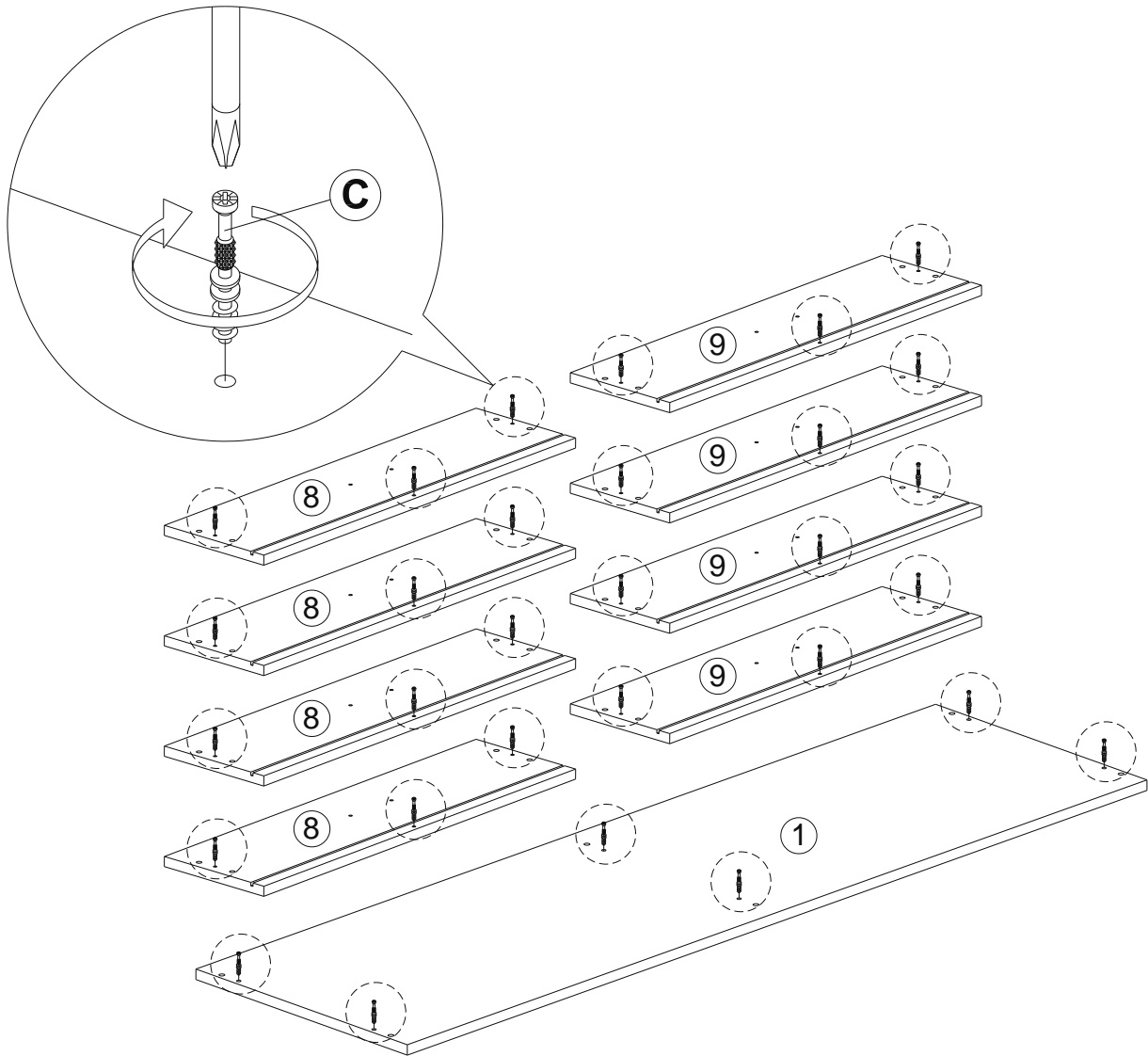



Right View

F		M3.5x16mm Screw	24Pcs
H		Drawer Slide 300mm - Right	4Pcs
H		Drawer Slide 300mm - Left	4Pcs

Step 4

*Place 33mm myfix (C) long piece onto the holes of panel 1, 8 and 9. (You will use 30 pieces)

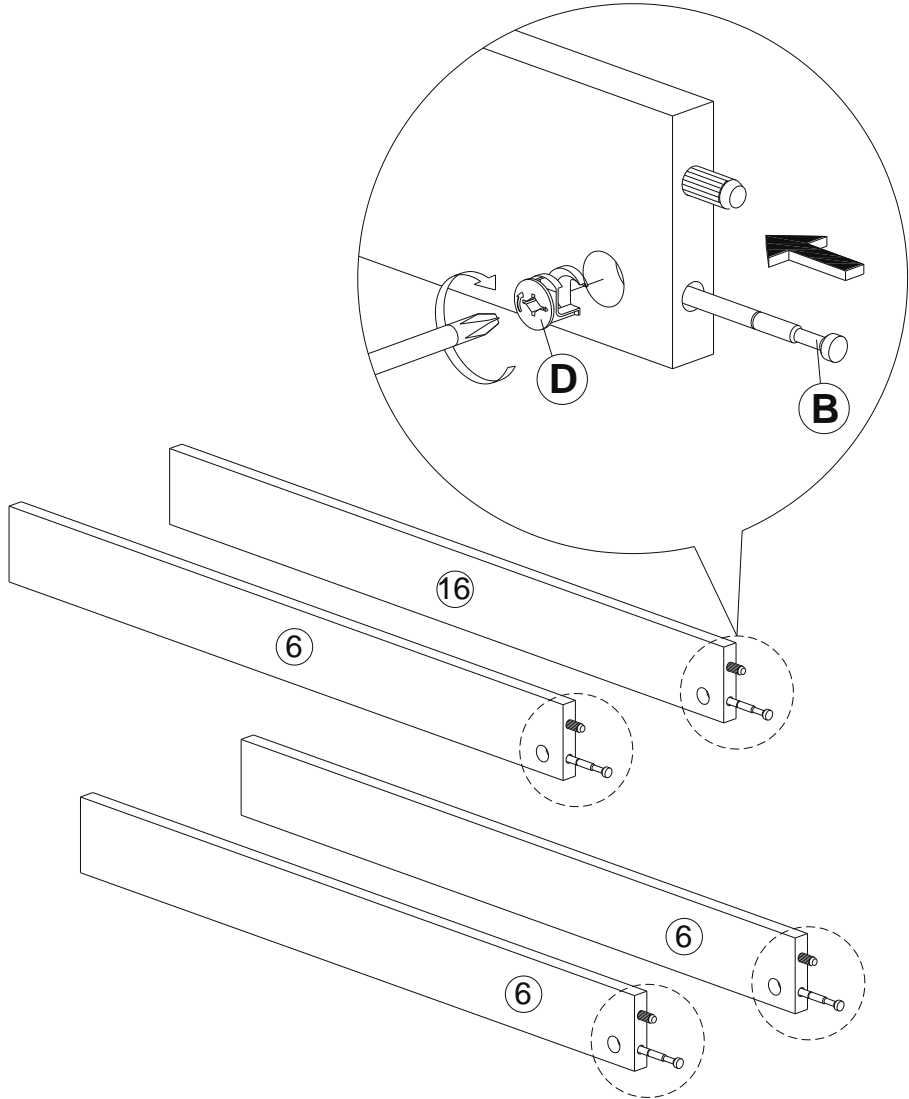




C		33mm Myfix	30Pcs
----------	---	------------	-------

Step 5

*Insert 63mm myfix (B) onto the holes of panel 6 and 16 as shown

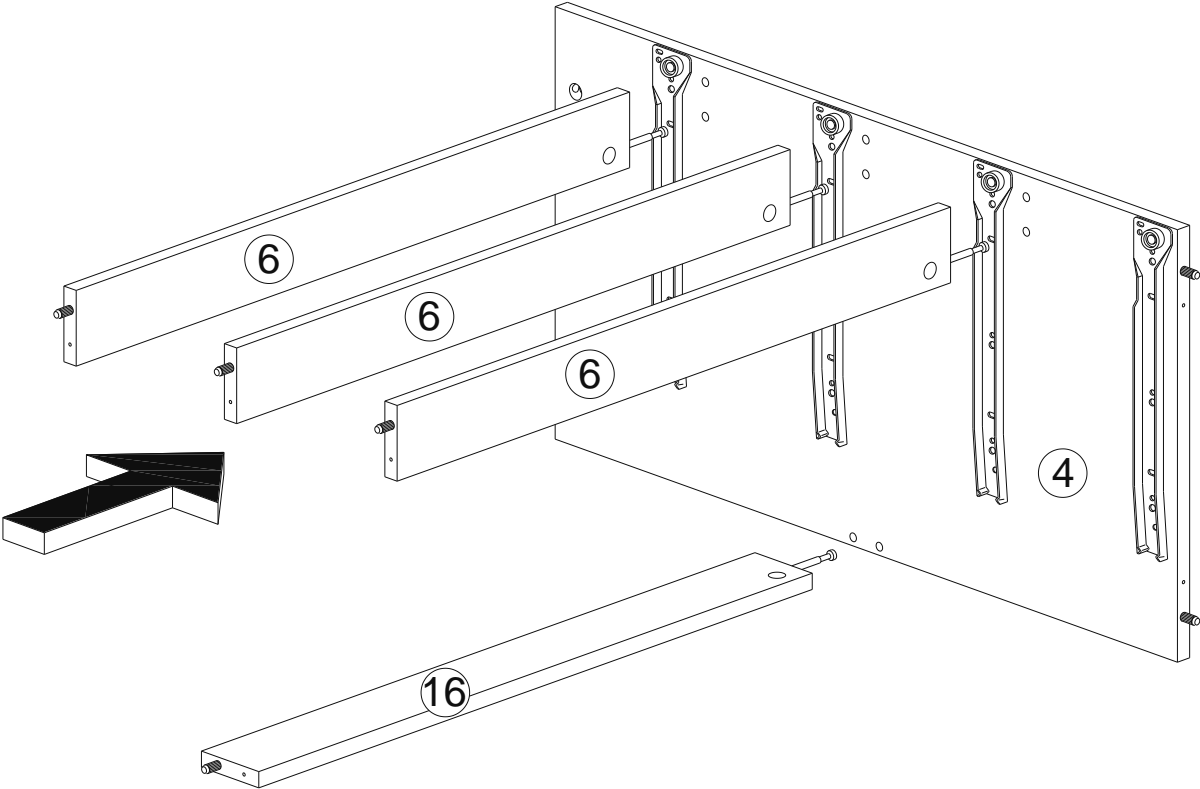
*Insert the minifix (D) nuts with the cross arrow mark facing upwards and tighten it clockwise.



B		63mm Myfix	4Pcs
D		Minifix	4Pcs

Step 6

*Attach panel 6 and 16 onto panel 4, align the position properly and slightly tap them in with hammer.

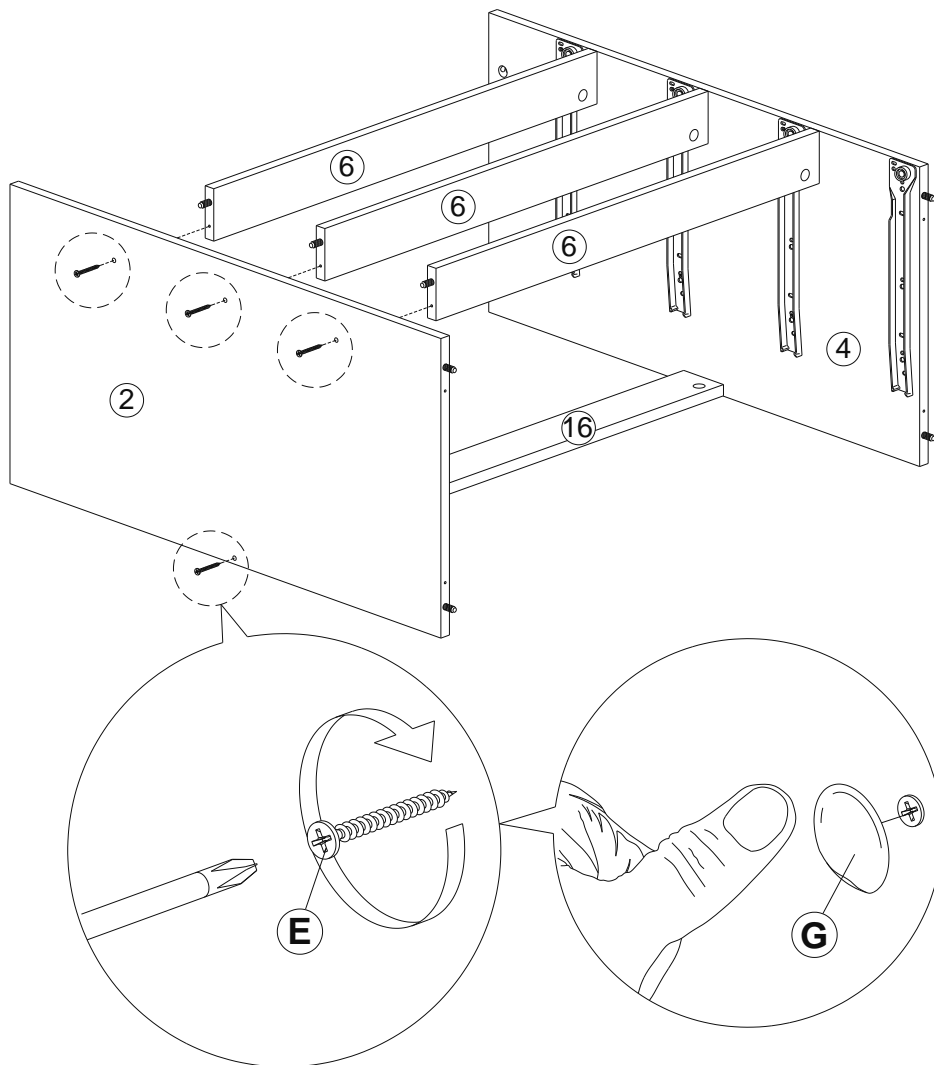




Step 7

* Attach panel 2 onto panel 6 and 16, align the position properly and slightly tap them in with hammer.

*Fasten screws (E) onto the predrilled holes of panel 2 to fix panel 6 and 16.

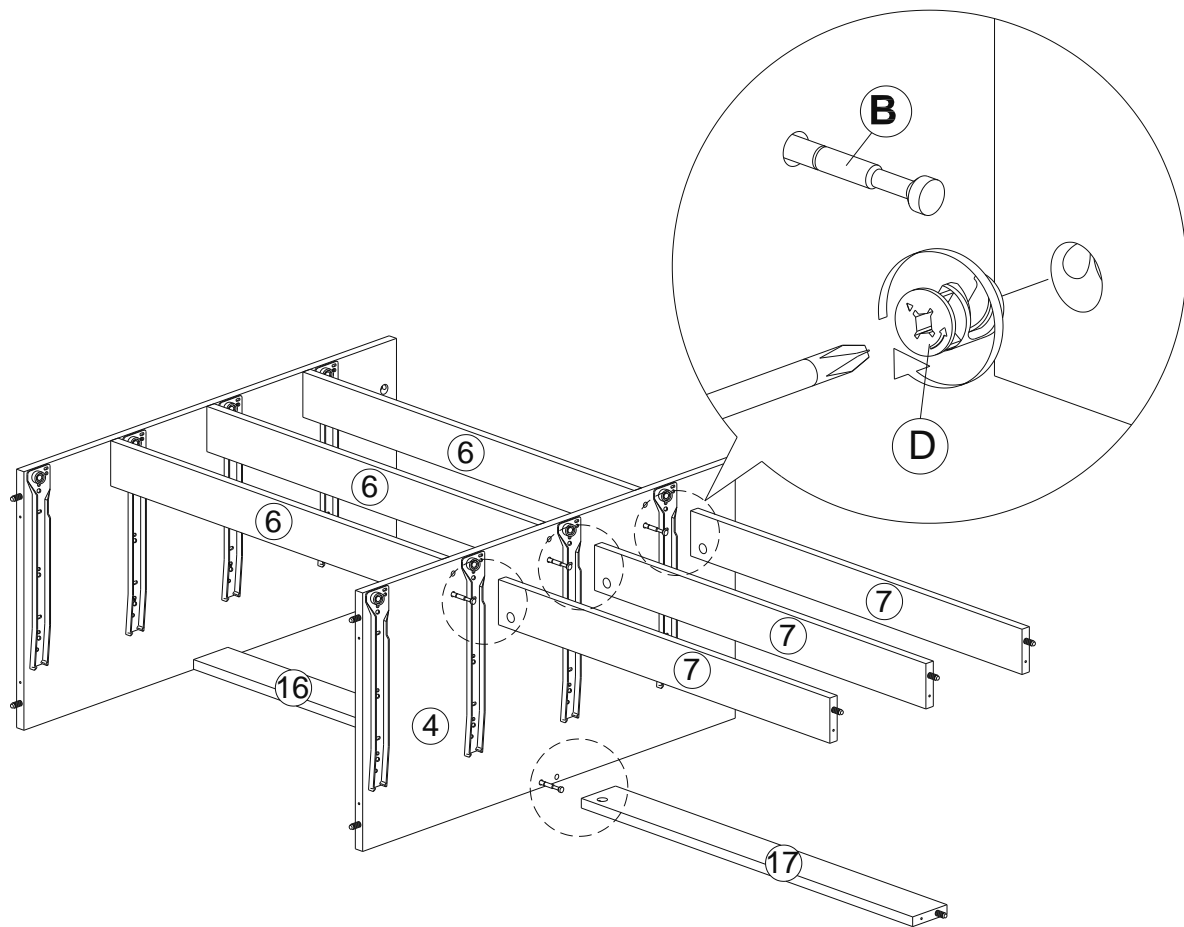
*Cover all the screws (E)' head with stickers (G) provided by stick up onto hole of screw (E)' heads one by one.




E		M4x45mm Screw	4Pcs
G		Sticker	4Pcs

Step 8

*Place panel 7 and 17 onto the inserted 63mm minifix (B), then insert the minifix (D) nut with the cross arrow mark facing upwards and tighten it clockwise.



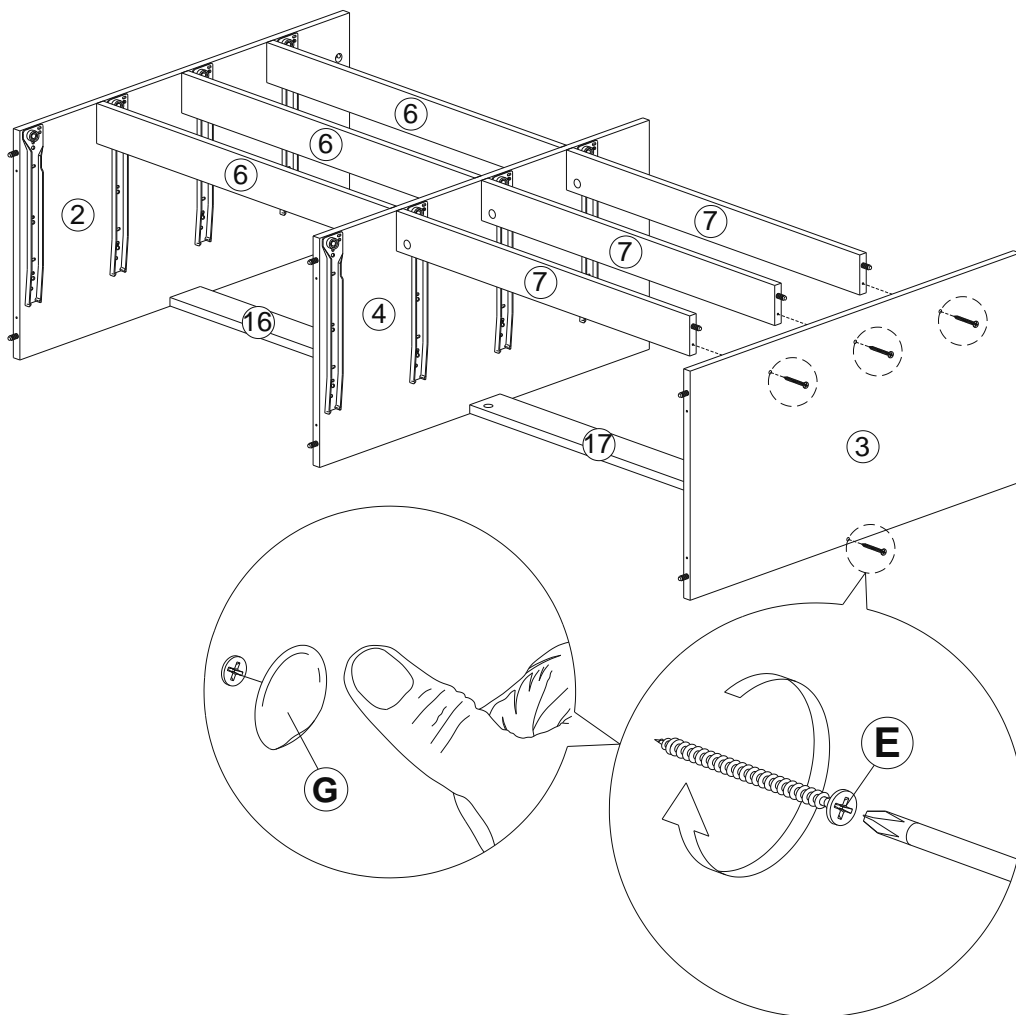
D		Minifix	4Pcs
----------	---	---------	------



Step 9

*Attach panel 3 onto panel 7 and 17, align the position properly and slightly tap them in with hammer.

*Fasten screws (E) onto the predrilled holes of panel 3 to fix panel 7 and 17.

*Cover all the screws (E)' head with stickers (G) provided by stick up onto hole of screw (E)' heads one by one.

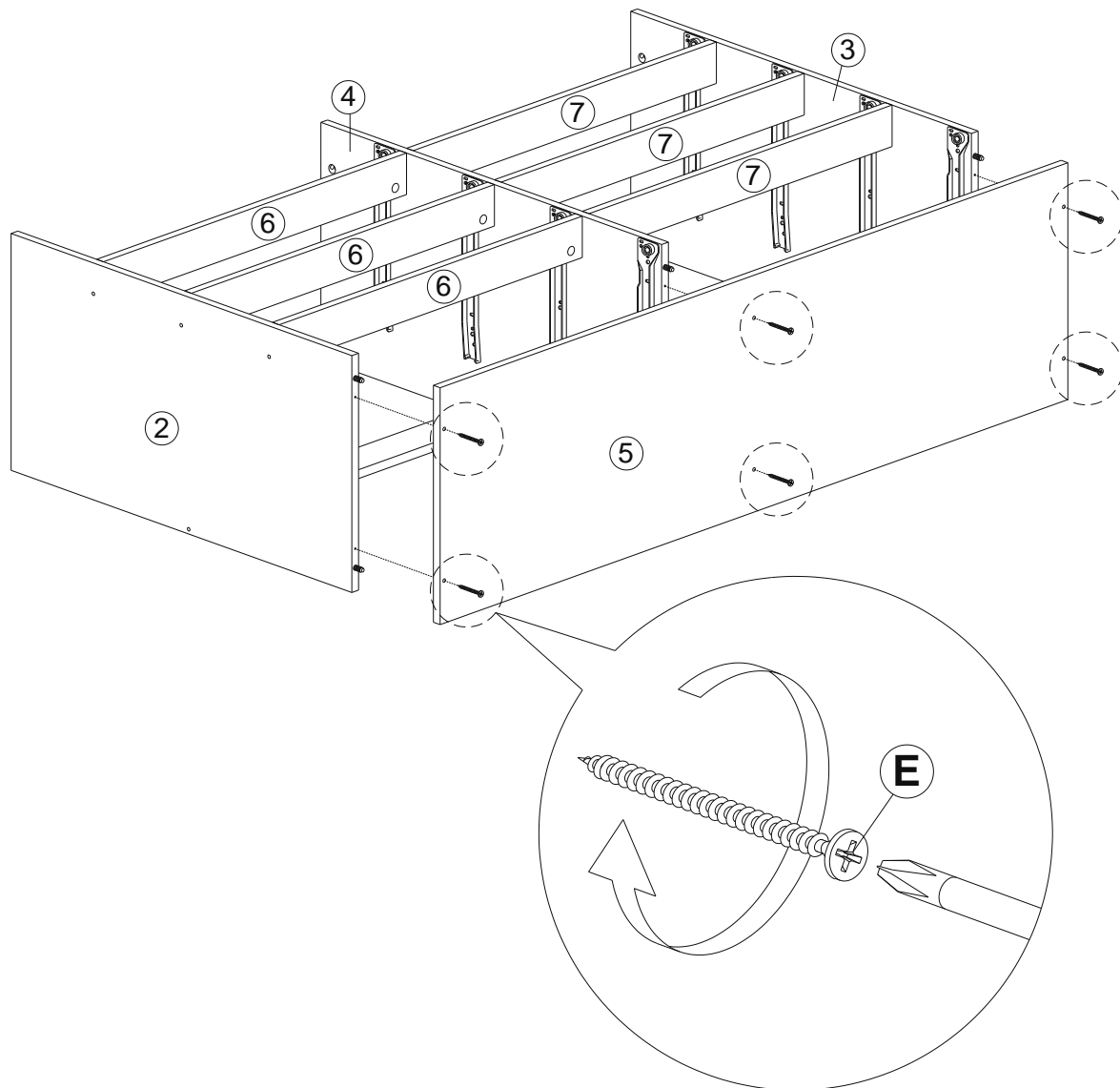



E		M4x45mm Screw	4Pcs
G		Sticker	4Pcs

Step 10

*Attach panel 5 onto panel 2, 3 and 4, align the position properly and slightly tap them in with hammer.

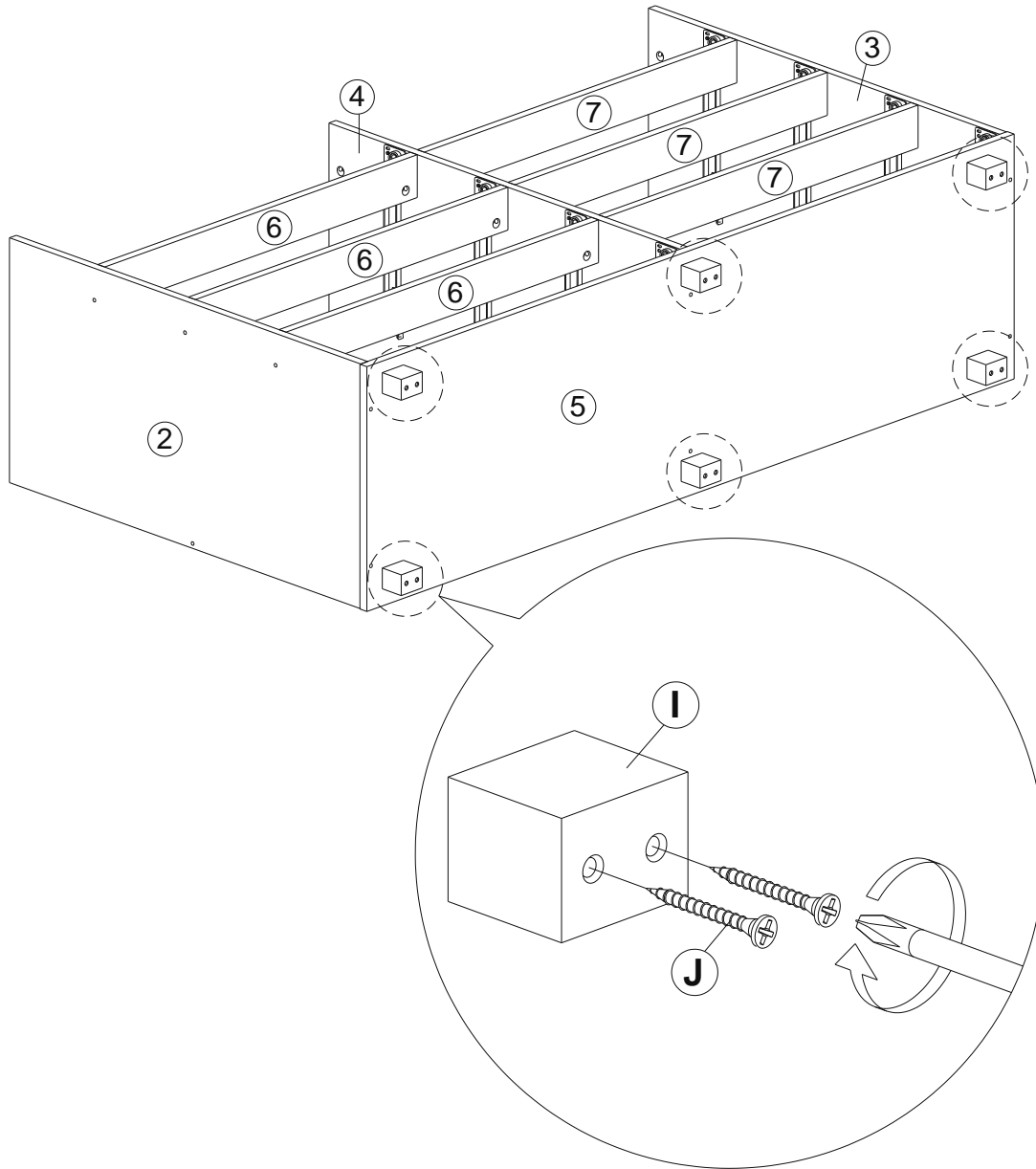
*Fasten screws (E) onto the predrilled holes of panel 5 to fix panel 2, 3 and 4.





E		M4x45mm Screw	6Pcs
----------	---	---------------	------

Step 11

*Place square leg (I) onto the predrilled holes of panel 5, using screws (J) to fix them.



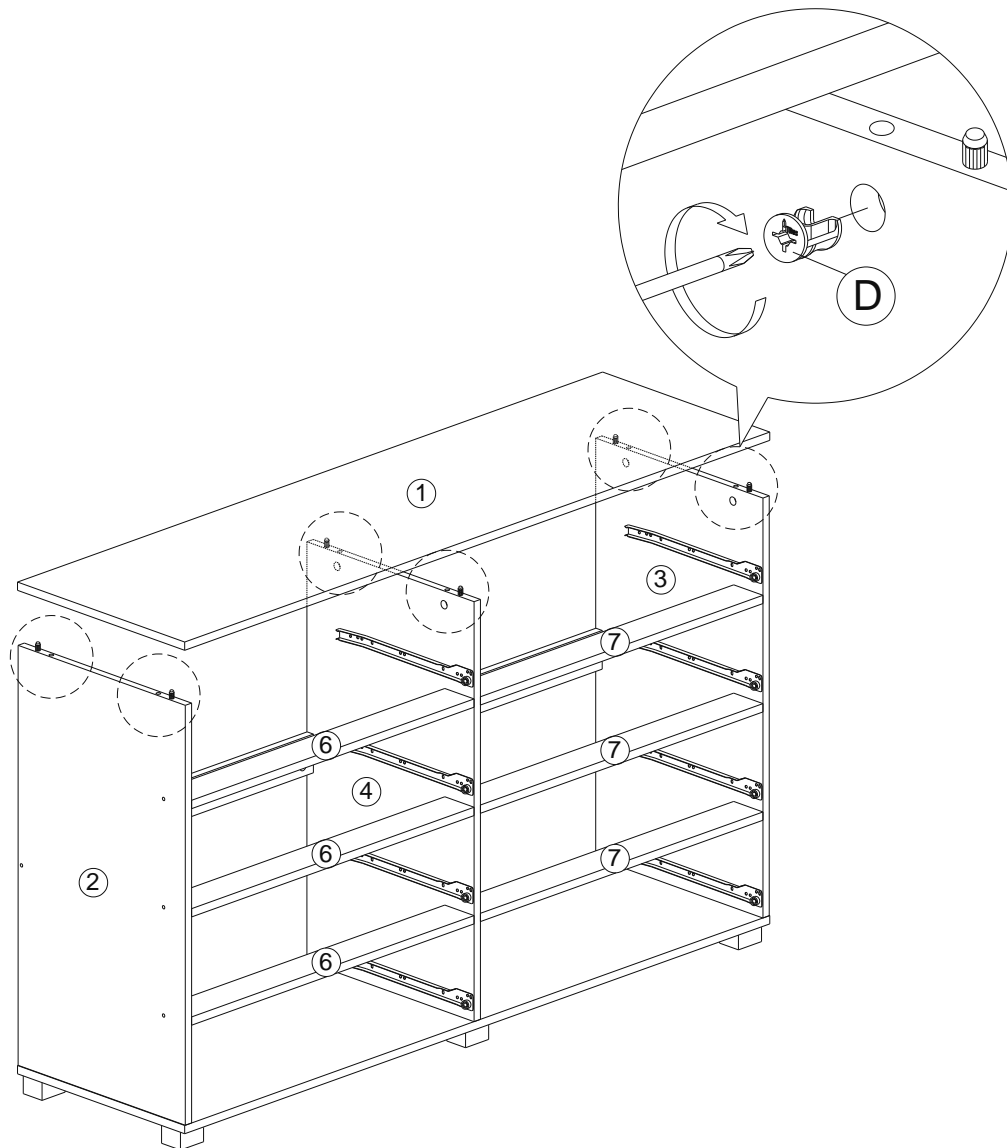
I		40mm Square Leg	6Pcs
J		M4x32mm Screw	12Pcs


Step 12

*Attach panel 1 onto panel 2, 3 and 4 and align the top panel firmly onto the PCV dowels.

* Gently tap the panel 1 to connect panel 2, panel 3 and panel 4 firmly.

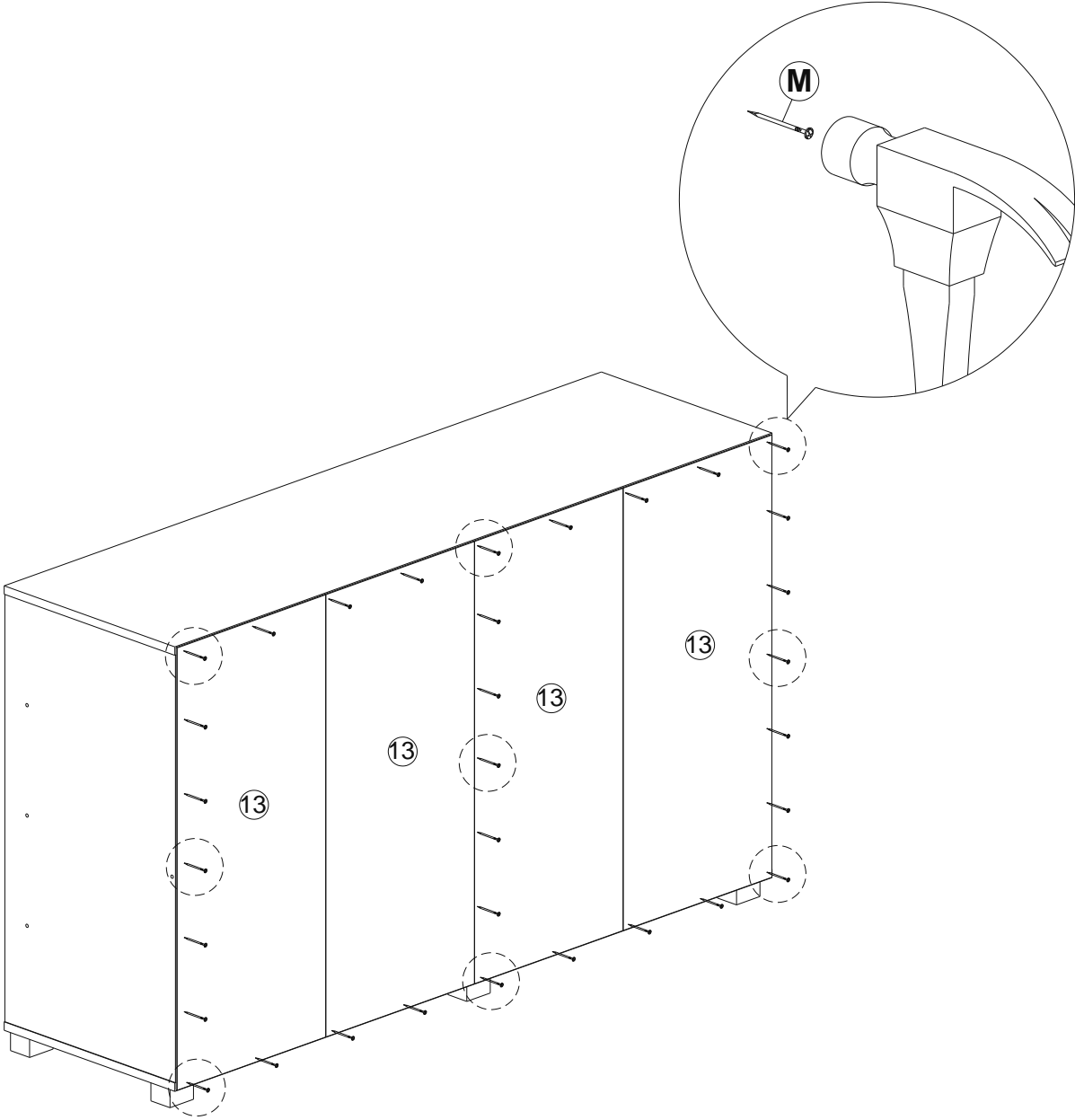
*Insert minifix (D) nuts into both sides predrilled holes of panel 2, 3 and 4, then tighten them clockwise in order to lock minifix up by going underneath panel 1.



D		Minifix	6Pcs
----------	---	---------	------

Step 13

*Fix approximately 50 pieces of nails (M) into panel 13 using a hammer.



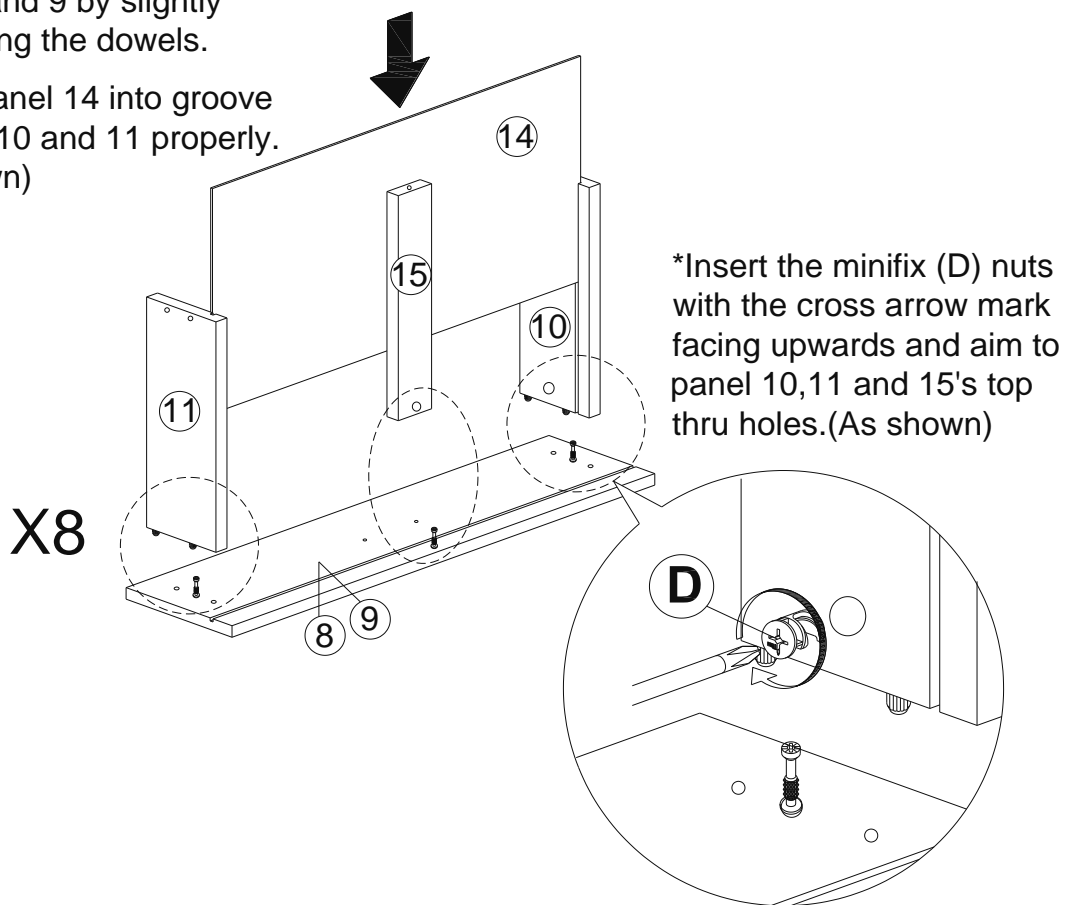
M		6/8 Power Pin	50Pcs
----------	---	---------------	-------

Step 14


Assembly Of Drawer : 8 Drawers

*Insert panel 10,11,15 onto panel 8 and 9 by slightly hammering the dowels.

*Insert panel 14 into groove of panel 10 and 11 properly.
(As shown)

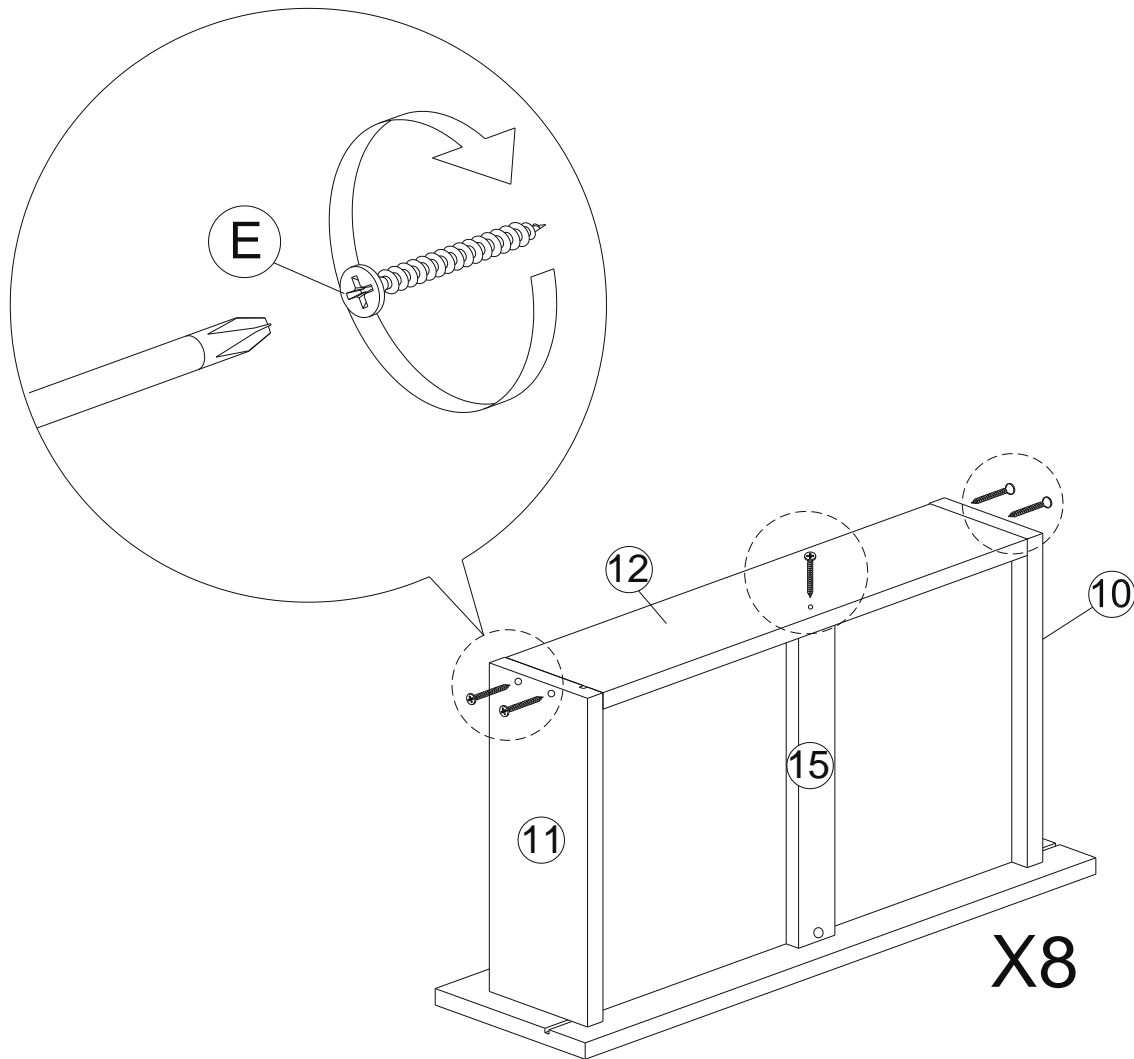



*Insert the minifix (D) nuts with the cross arrow mark facing upwards and aim to panel 10,11 and 15's top thru holes.(As shown)

D		Minifix	24Pcs
----------	---	---------	-------

Step 15

- *Place panel 12 on each side of panel 10 and 11 as shown.
- *Then, tighten screws (E) to panel 10's upper thru holes to fix them onto panel 12.
- *Next tighten screws (E) to panel 11's upper thru holes to fix up to the panel 12.
- *Tighten screws (E) to panel 12's upper thru holes to fix up to the panel 15.

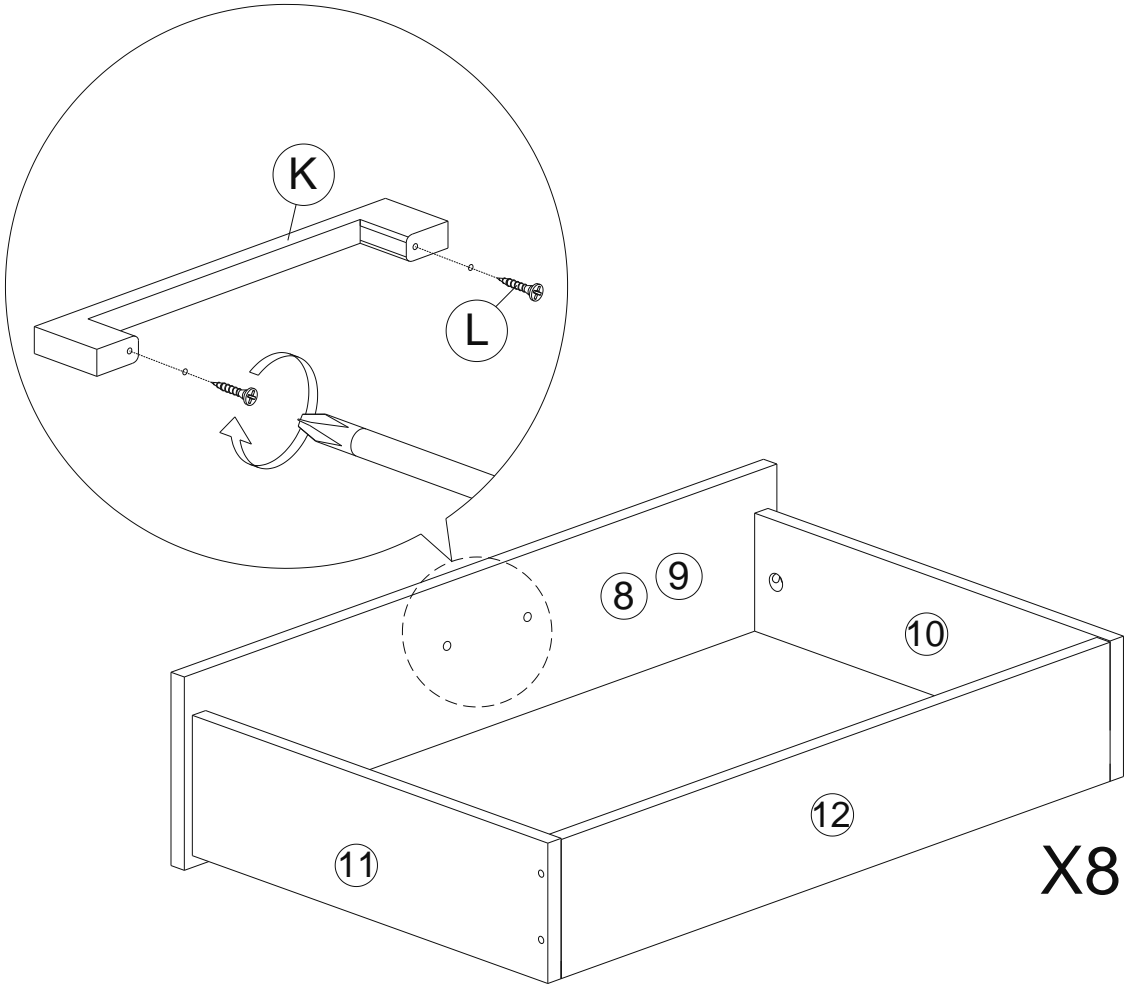



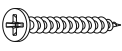
E		M4x45mm Screw	40Pcs
----------	---	---------------	-------

Step 16

*Flip the drawer over.

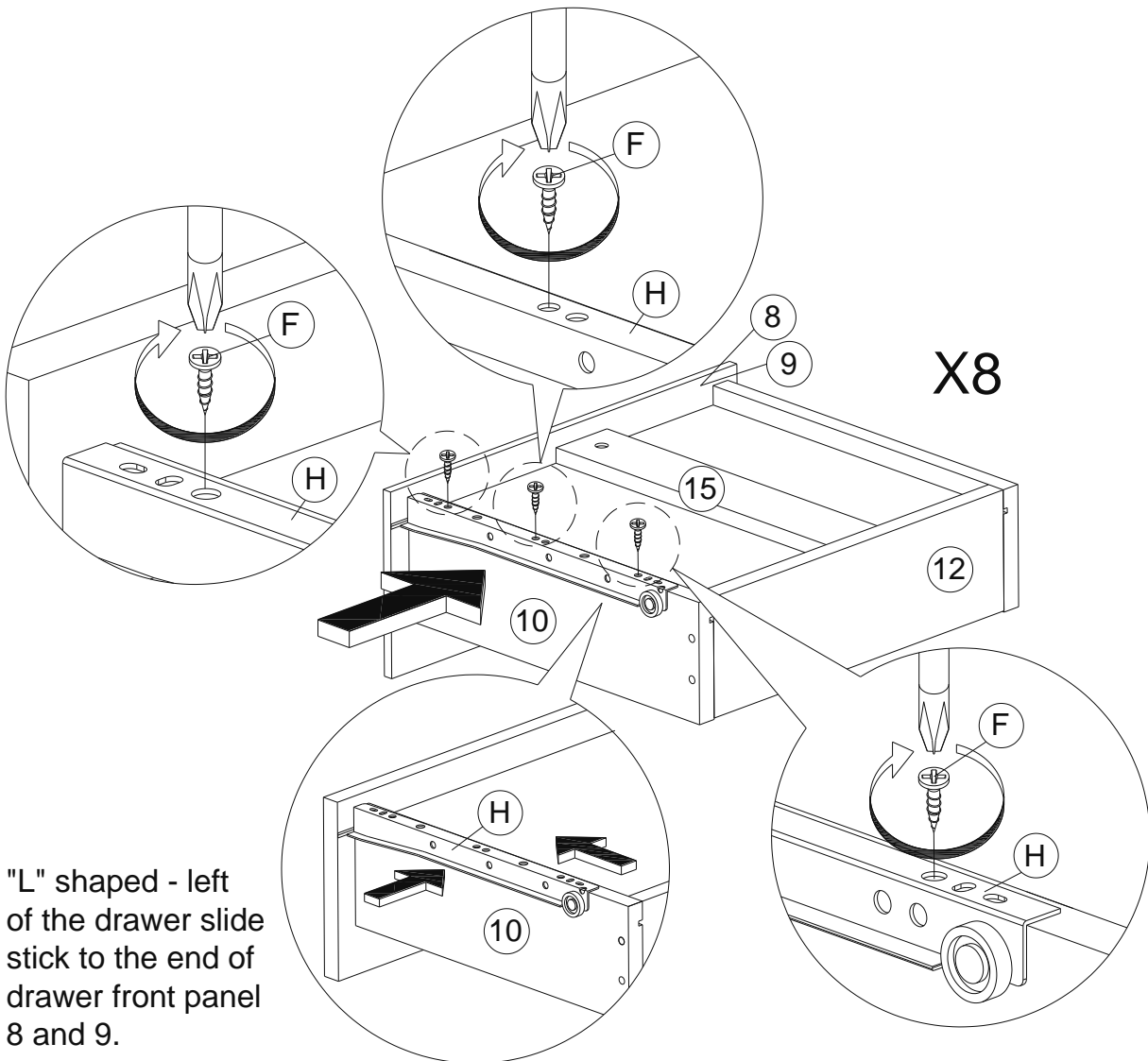
*Tighten 2 screws (L) from inner side of panel 8 and 9 into the handle (K) holes.



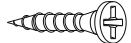

K		Handle 525.160	8Pcs
L		M4x28mm Screw	16Pcs

Step 17

Place the "L" shaped – left drawer slide (H) with the small white roller facing outwards and should be in parallel with drawer front panel 8 and 9. Then tighten 3 screws (F) on each drawer slides (H).

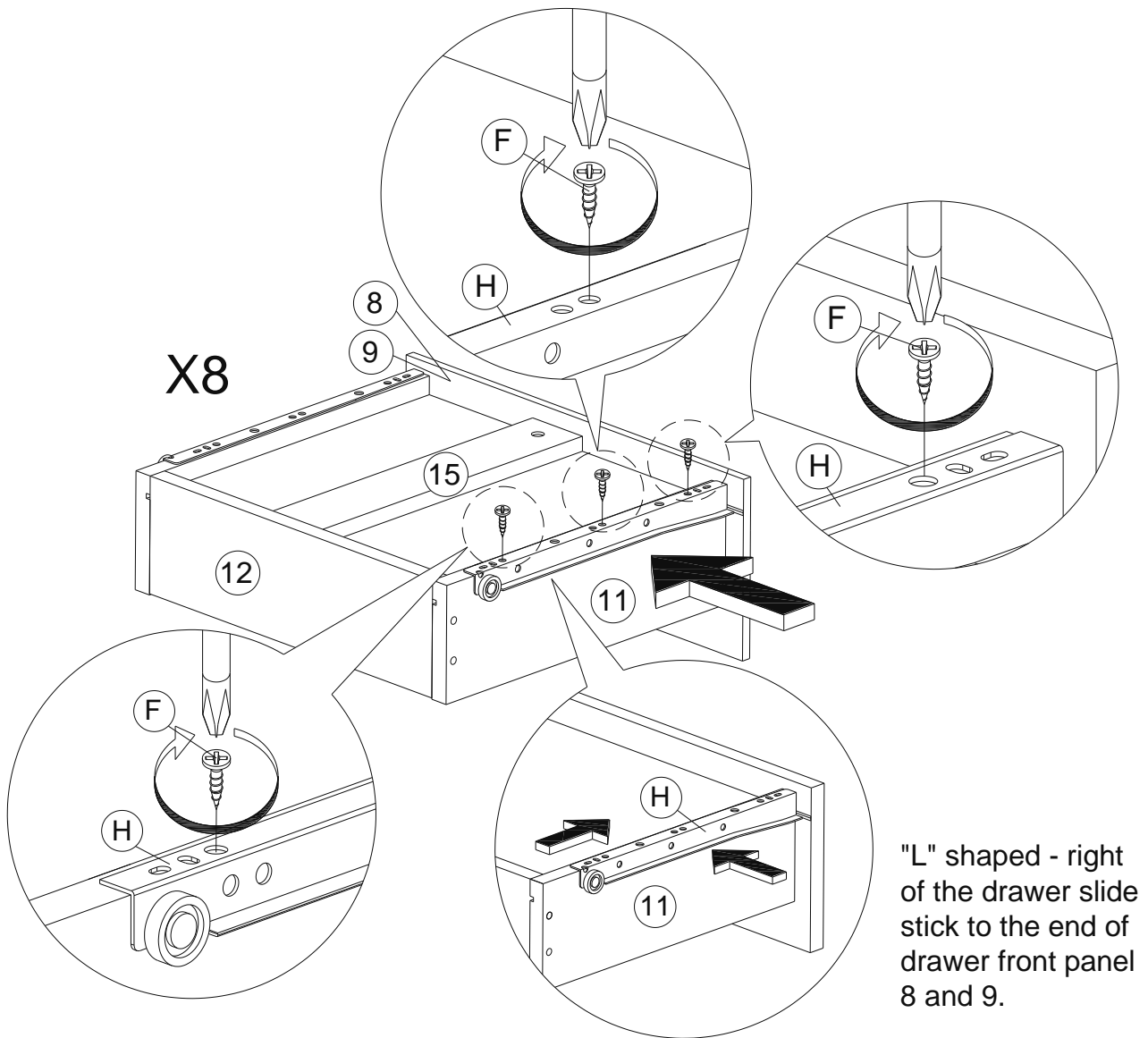


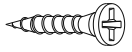

"L" shaped - left of the drawer slide stick to the end of drawer front panel 8 and 9.

F		M3.5x16mm Screw	24Pcs
H		Drawer Slide 300mm - Left	8Pcs

Step 18

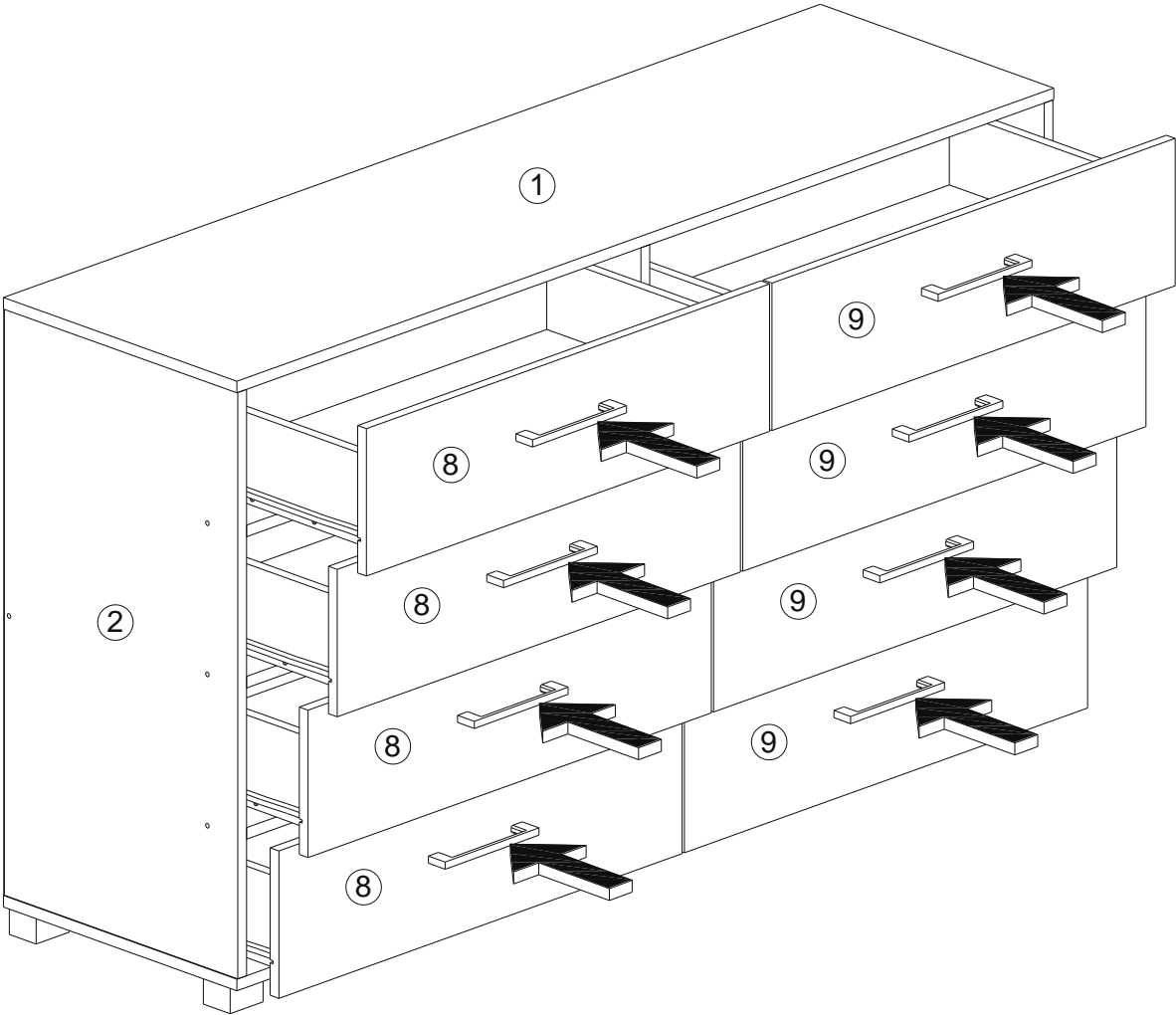
Place the "L" shaped - right drawer slide (H) with the small white roller facing outwards and should be in parallel with drawer front panel 8 and 9. Then tighten 3 screws (F) on each drawer slides (H).



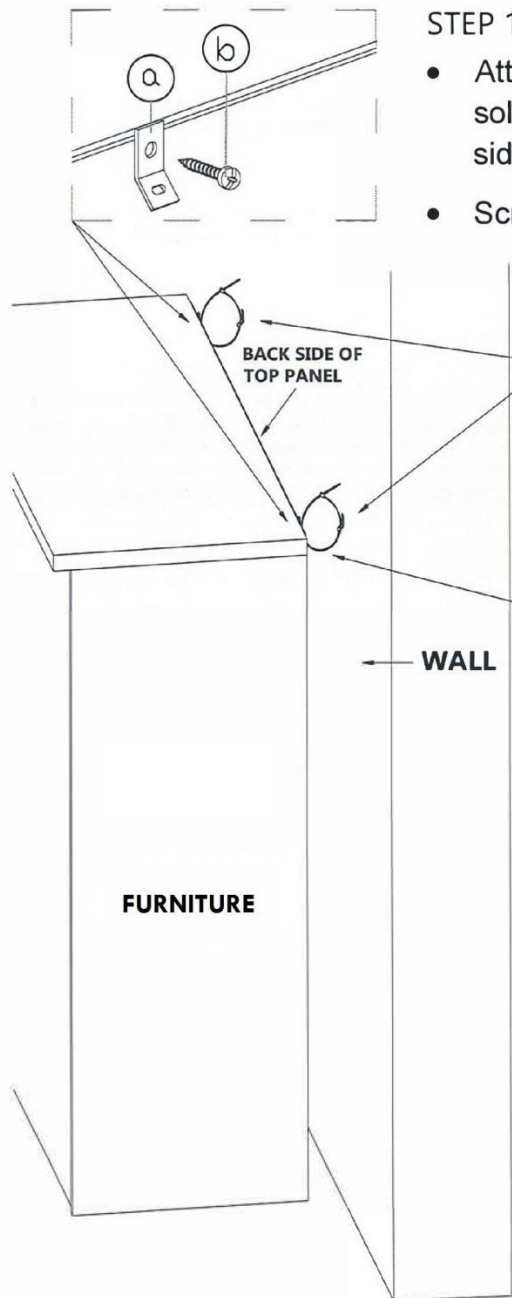
F		M3.5x16mm Screw	24Pcs
H		Drawer Slide 300mm - Right	8Pcs

Step 19

*Take all drawers, and slide them (the white rollers at drawer slide at both side of drawers are to go into the track of the slide at each side panel.) All the way gently, one drawer by one drawer starting from bottom to the top accordingly.

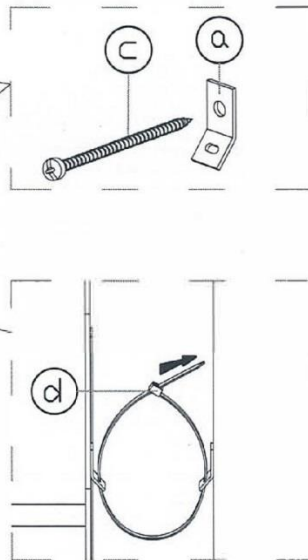


FITTING OF ANTI-TIP SAFETY STRAP



STEP 1:

- Attach the mounting bracket (a) to the furniture in the solid part below the top panel a few inches away from the side of the unit.
- Screw (b) through the smallest hole of (a).

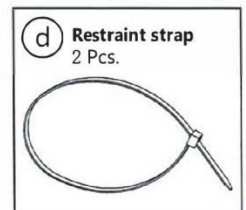
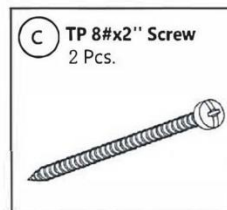
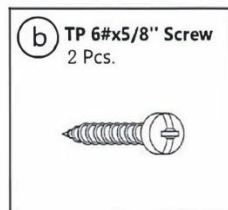
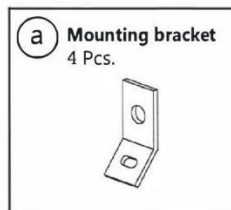


STEP 2:

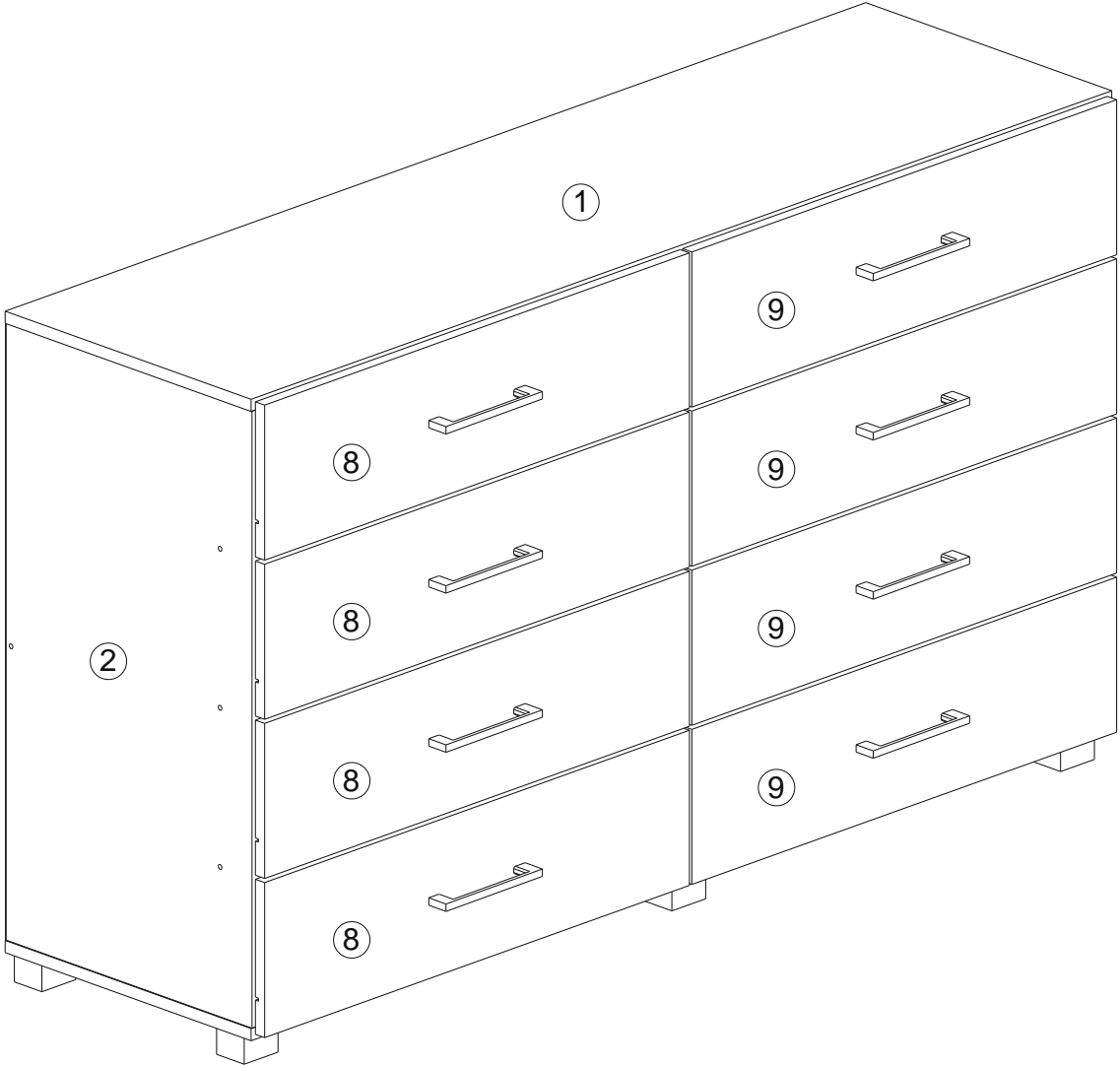
- Locate a stud in behind the have to
- Place the other mounting bracket (a) on the wall stud 2 inches below the mounting bracket secured to the back of your unit.
- Attach to the wall stud using (c) through the smaller hole of (a).

STEP 3:

- Repeat the same step a few inches away from the other side of the unit.
- Place the furniture into position so both mounting brackets are vertically in line.
- Lace the end of the restraint strap through the larger holes in each mounting bracket.
- Secure the straps and lock into place.



Job Complete...



Enjoy & Thank you for purchasing from Hodedah!

