

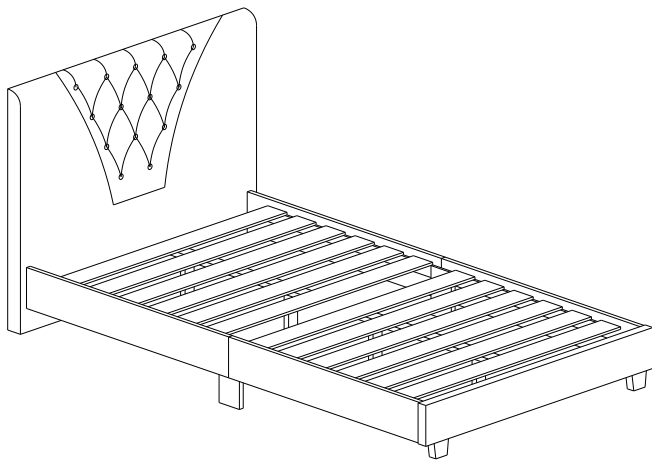
HODEDAH®

Assembly Instructions

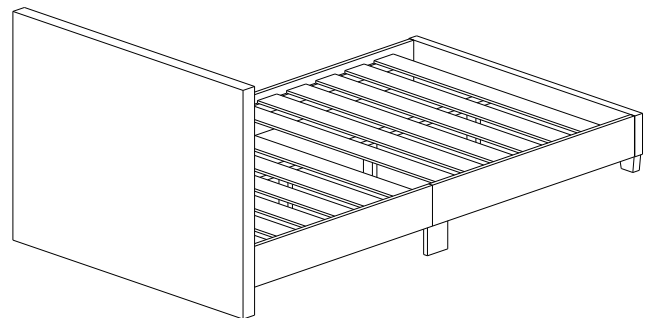
This instruction booklet contains important safety information, please read and keep for future reference.

ITEM # HI698

Full - Size Platform Bed



FRONT VIEW



BACK VIEW

Product Dimensions: Height 43.5" x Width 58.5" x Depth 78"



Phone

Mon – Fri | 9:30 am to 5pm EST

1 - 855 – HODEDAH

1 – 855 – 463 -3324



Email

Send us an email

Support@Hodedah.com



Website

Visit our website to open a case

www.Hodedah.com

Questions, need parts, we are here to help!

FOR PROMPT, RELIABLE SERVICE PLEASE HAVE YOUR INSTRUCTION MANUAL READY



DO NOT RETURN PRODUCT TO THE STORE

If parts are missing or damaged please contact our customer service team and we will gladly ship your replacement parts FREE of charge within **ONE YEAR** of purchase!

WARRANTY

Hodedah warrants this product to be free from defects in materials and workmanship and agrees to remedy any such defect. This warranty covers one year from the date of original purchase. This is solely limited to replacement of defective parts and no assembly for labor is included. This warranty does not apply to any product that has been improperly assembled, subjected to misuse, abuse or which has been altered or repaired in any way. To obtain warranty service, original purchaser must present the following; original bill of sale, date of purchase, where the product was purchased and images if applicable. Components replaced warranted through the remainder of the original warranty only. The defective part will be replaced without charge, subject to the terms and conditions described above.

WARNING

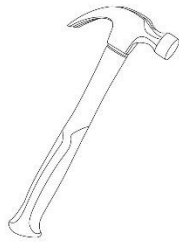
- This product contains small parts, keep away from children.
- This product contains plastic bags, keep away from children.
- Serious or fatal crushing injuries can occur from furniture tip-over. To help prevent this, place heaviest items on the lower shelves and drawers. Do not set heavy objects on top shelves and drawers.
- Never allow children to climb or hang on drawers, shelves and doors.
- Never open more than one drawer at a time.
- The use of tip-over restraints may reduce but not eliminate the risk of tip-over.

Let's get started...

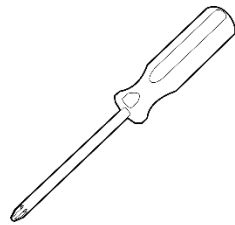
Helpful hints, read before beginning assembly

- Make sure you receive all boxes. If your item is packed in one box, box count will read 1 of 1, likewise if your item is packed in two boxes, box count will read 1 of 2 and second box will read 2 of 2.
- Read each step carefully. It is very important that each step is performed in the correct order. If these steps are not followed in sequence, assembly difficulties will occur.
- Work in a spacious level area, preferably carpet, near the place the unit will be used.
- **DO NO USE** power tools to assemble your furniture, it will strip and damage parts.
- Your package should include the following hardware and parts. Parts are labeled or stamped on the raw edge. Please inspect contents to ensure you have received all components. **If you are missing any hardware or parts please contact customer service right away before assembly.**

Assembly Tools Required(not supplied)



Hammer



Phillips Screwdriver



Tape Measure

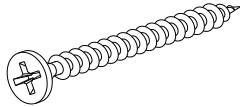
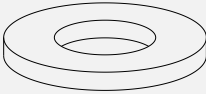
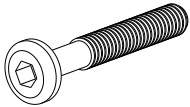
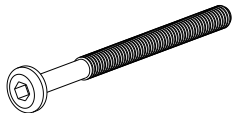
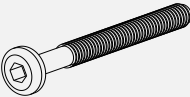
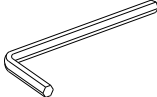
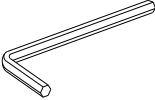
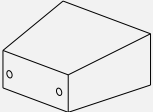


No Power Tools Needed

Product Care and Maintenance

- Wipe clean with dry soft cloth, never use chemicals or cleaning products they will damage the finish.
- Avoid placing your furniture in direct sunlight, as sunlight causes fading.
- Never push, drag or pull your furniture, to move to a new location carefully with two or more people carry the unit to its new location.
- Avoid extreme changes in temperature by arranging furniture away from radiators, heat and air vents and air conditioning units.

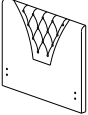
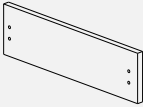
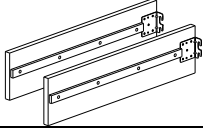
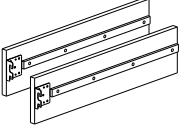
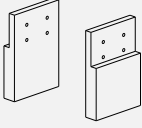
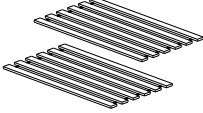
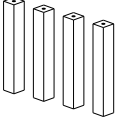

Hardware List

<p>A M4x25mm Screw</p> 	<p>QTY 24Pcs</p> <input data-bbox="488 432 570 506" type="checkbox"/>	<p>B Washer</p> 	<p>QTY 8Pcs</p> <input data-bbox="937 432 1018 506" type="checkbox"/>	<p>C JCBC M6x30mm</p> 	<p>QTY 8Pcs</p> <input data-bbox="1398 432 1479 506" type="checkbox"/>
<p>D JCBC M6x60mm</p> 	<p>4Pcs</p> <input data-bbox="488 695 570 768" type="checkbox"/>	<p>E JCBC M6x45mm</p> 	<p>4Pcs</p> <input data-bbox="937 695 1018 768" type="checkbox"/>	<p>F L Key (M4x100mm)</p> 	<p>1Pcs</p> <input data-bbox="1398 695 1479 768" type="checkbox"/>
<p>G L Key (M5x70mm)</p> 	<p>1Pcs</p> <input data-bbox="488 989 570 1062" type="checkbox"/>	<p>H Plastic Leg</p> 	<p>2Pcs</p> <input data-bbox="937 989 1018 1062" type="checkbox"/>		

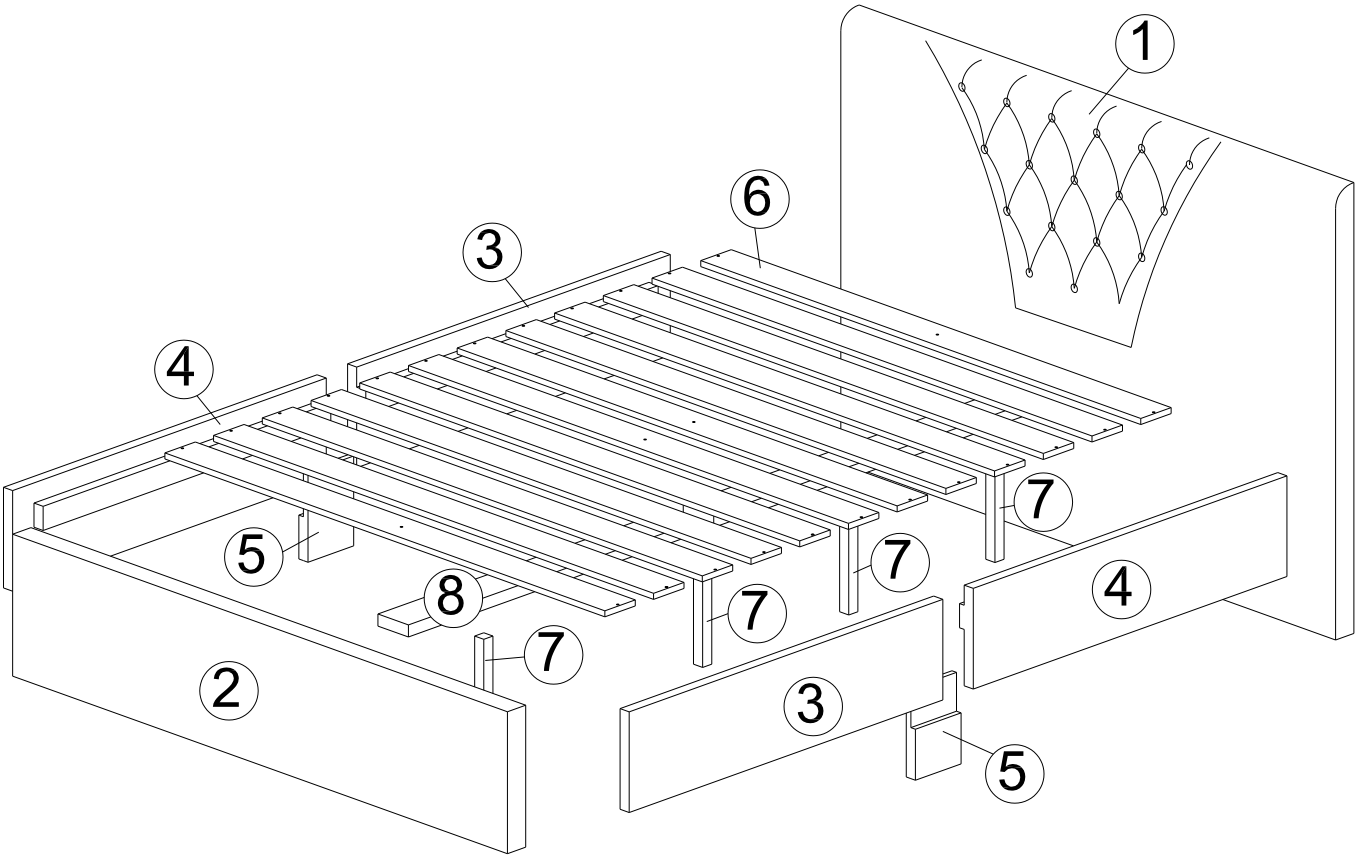
Important

1. Before you throw the package, please use the Check Box to identify the parts and hardware to ensure that you have everything you need.
2. Check and measure the bolts before applying them to parts.
3. Do not completely tighten all hardware until the entire assembly is complete, unless indicated otherwise.

Parts List

<p>1 Head Board 1632x1110x100mm</p> 	<p>QTY 1Pc</p> <input data-bbox="440 436 521 510" type="checkbox"/>	<p>2 Foot Board 1597x207x55mm</p> 	<p>QTY 1Pc</p> <input data-bbox="907 436 989 510" type="checkbox"/>	<p>3 Side Rail 1026x200x23mm</p> 	<p>QTY 2Pcs</p> <input data-bbox="1393 436 1474 510" type="checkbox"/>
<p>4 Side Rail 1026x200x23mm</p> 	<p>2Pcs</p> <input data-bbox="440 709 521 783" type="checkbox"/>	<p>5 Side Support 252x85x30mm</p> 	<p>2Pcs</p> <input data-bbox="907 709 989 783" type="checkbox"/>	<p>6 LVL Slats 1537x60x12mm</p> 	<p>12Pcs</p> <input data-bbox="1393 709 1474 783" type="checkbox"/>
<p>7 Center Leg 230x30x30mm</p> 	<p>4Pcs</p> <input data-bbox="440 982 521 1056" type="checkbox"/>	<p>8 Center Slats 880x40x15mm</p> 	<p>2Pcs</p> <input data-bbox="907 982 989 1056" type="checkbox"/>		

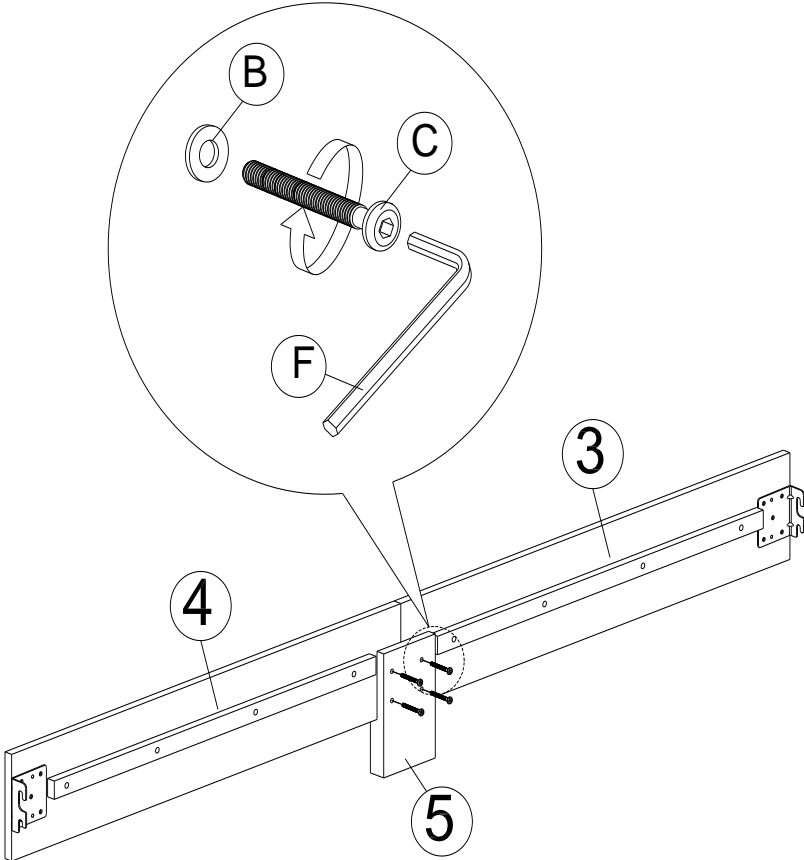
The Breakdown...



Step 1

*Place and fix part 5 onto part 3 and 4 by inserting JCBC (C) with Washer (B).

*Fasten JCBC (C) using predrilled holes on part 5 into part 3 and 4 by using L Key (F).

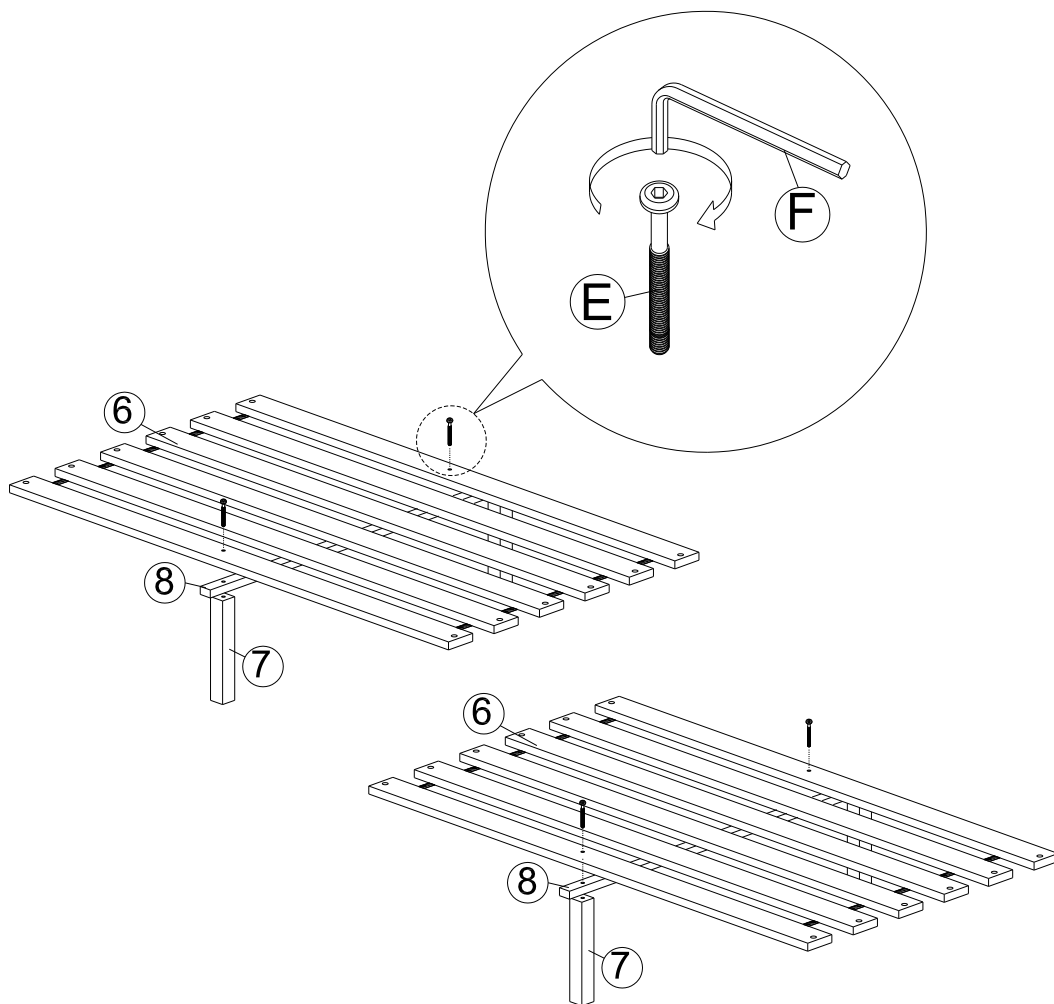


Step 2

* First prepare Part 6, 7 and 8.

*Insert JCBC (E) into predrilled holes of Part 6 and 8 thru Part 7.

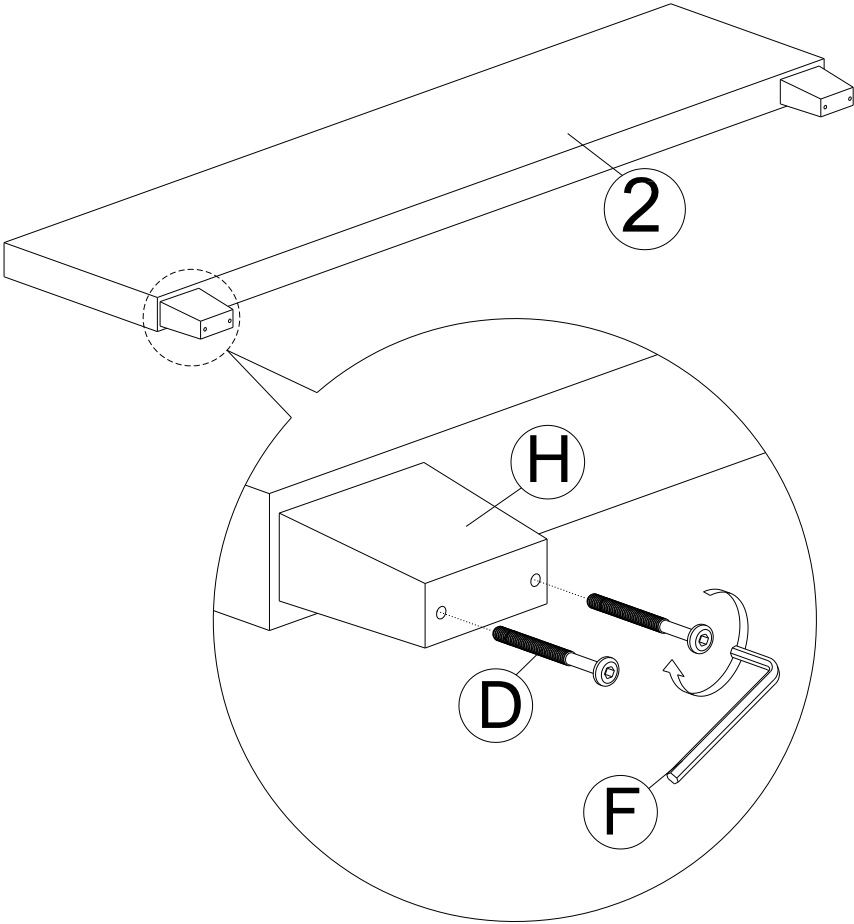
*Fasten JCBC (E) by using L Key (F).



Step 3

*Place plastic Leg (H) on the Part 2.

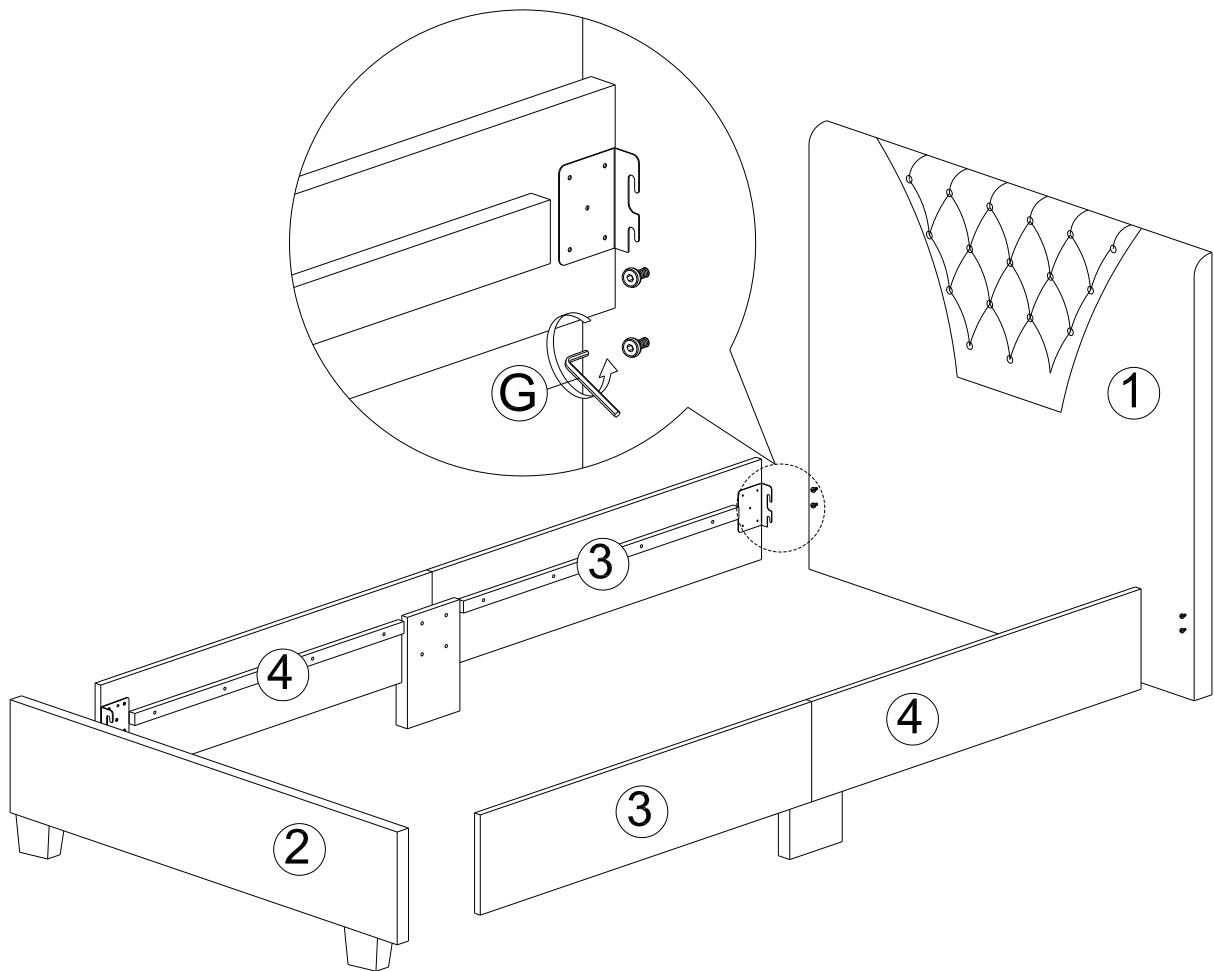
*Fasten JCBC (D) thru the plastic Leg (H) to the Part 2 by using L Key (F).



Step 4

*Place Part 3 and 4 to hook Part 1 and Part 2.

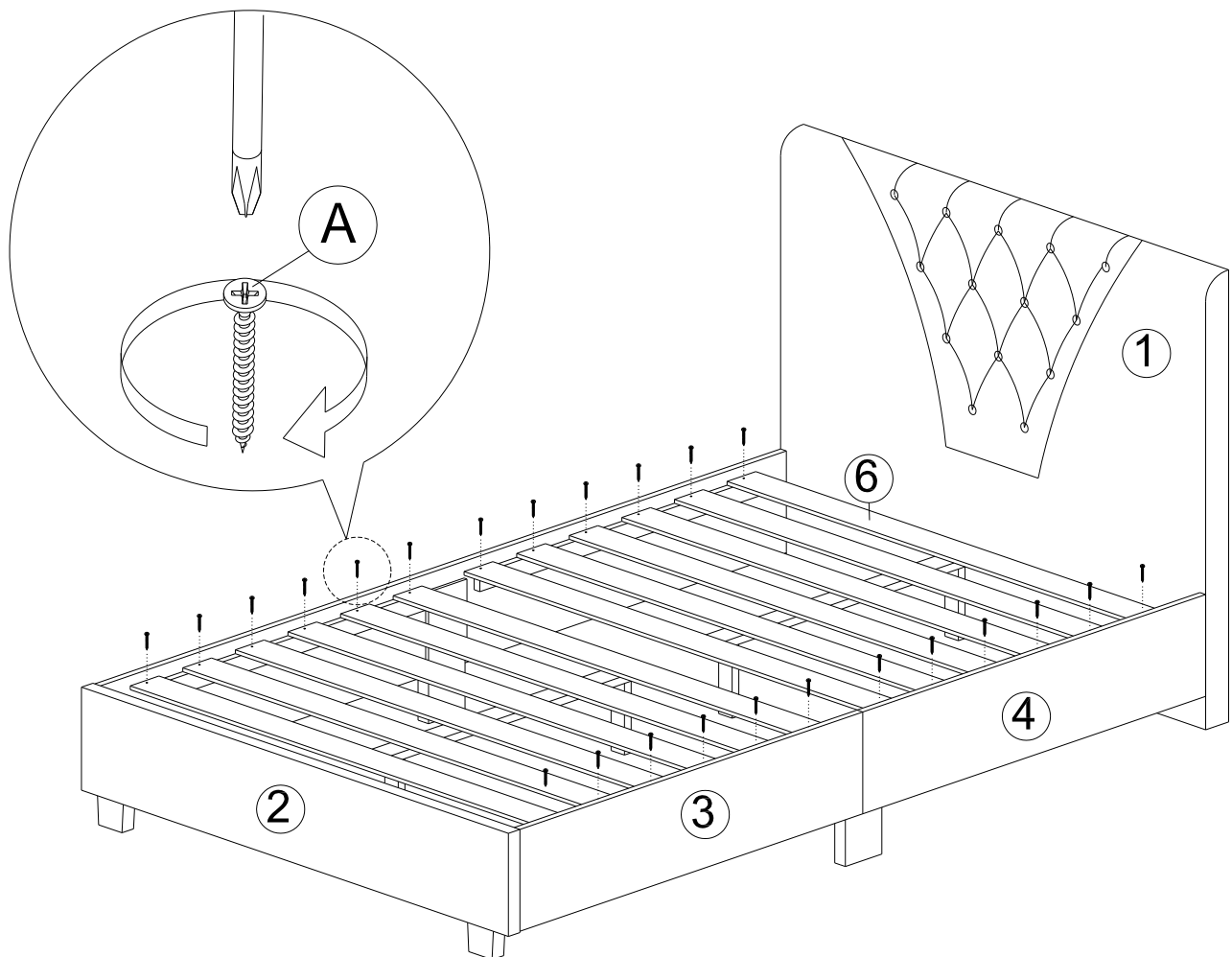
*Fasten JCBC by using L Key (G).



Step 5

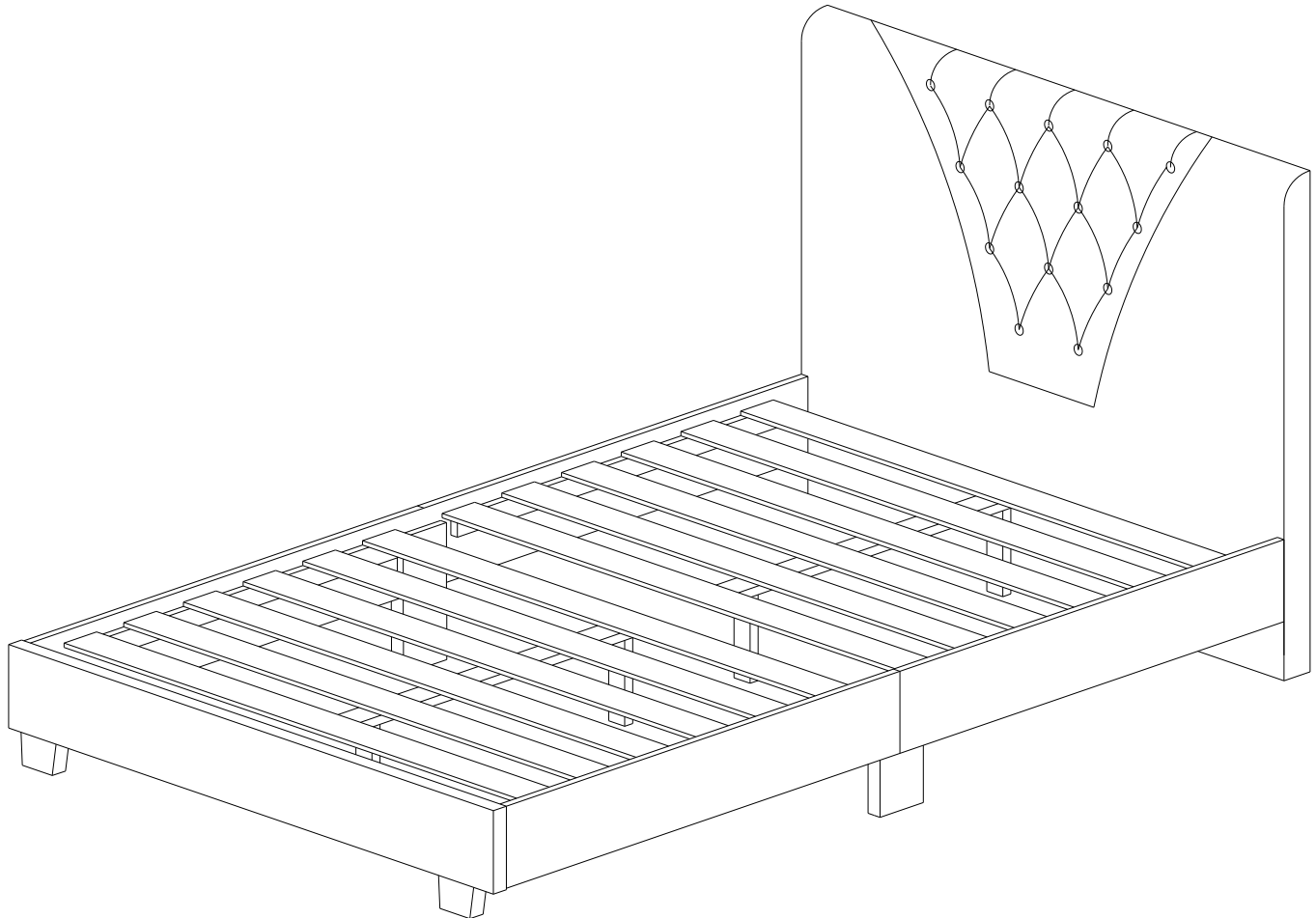
*Place Part 6, 7 and 8 inside Part 1, 2, 3 and 4.

*Faster Screw (A) into predrilled holes of Part 6 by using Screwdriver.



HODEDAH®

Job Complete...



Enjoy & Thank you for purchasing from Hodedah!

