

HODEDAH®

# Assembly Instructions

This instruction booklet contains important safety information, please read and keep for future reference.

ITEM # HI 681

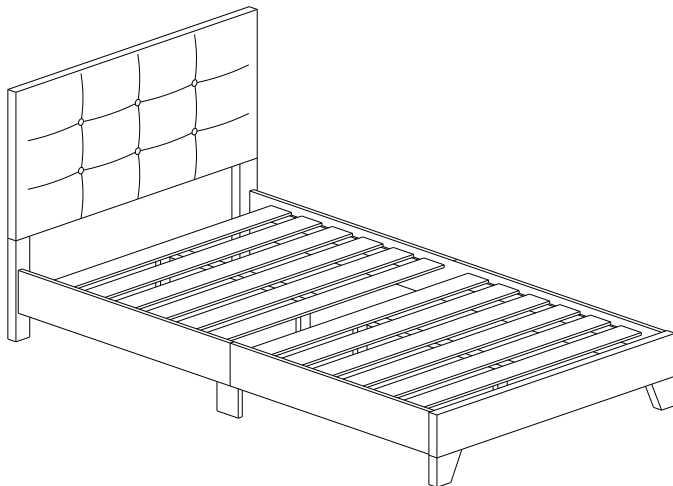
Full - Size Platform Bed

 2 people

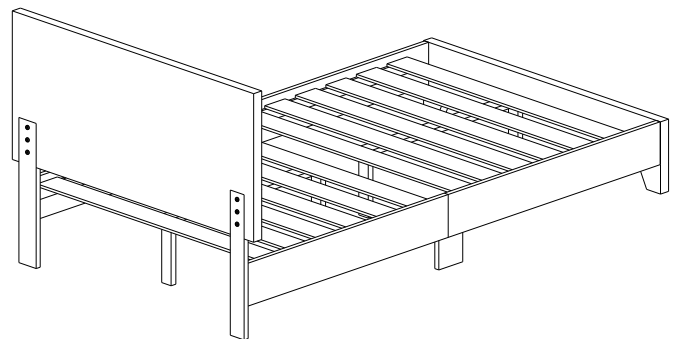
 90mins

 1 YR LTD

 1 Box



FRONT VIEW



BACK VIEW

**Product Dimensions: Height 47.5" x Width 58.5" x Depth 78"**



## Phone

Mon – Fri | 9:30 am to 5pm EST

**1 - 855 – HODEDAH**

**1 – 855 – 463 -3324**



## Email

Send us an email

**Support@Hodedah.com**



## Website

Visit our website to open a case

**www.Hodedah.com**

## Questions, need parts, we are here to help!

**FOR PROMPT, RELIABLE SERVICE PLEASE HAVE YOUR INSTRUCTION MANUAL READY**

---



## DO NOT RETURN PRODUCT TO THE STORE

If parts are missing or damaged please contact our customer service team and we will gladly ship your replacement parts FREE of charge within **ONE YEAR** of purchase!

---

## WARRANTY

Hodedah warrants this product to be free from defects in materials and workmanship and agrees to remedy any such defect. This warranty covers one year from the date of original purchase. This is solely limited to replacement of defective parts and no assembly for labor is included. This warranty does not apply to any product that has been improperly assembled, subjected to misuse, abuse or which has been altered or repaired in any way. To obtain warranty service, original purchaser must present the following; original bill of sale, date of purchase, where the product was purchased and images if applicable. Components replaced warranted through the remainder of the original warranty only. The defective part will be replaced without charge, subject to the terms and conditions described above.

---

## WARNING

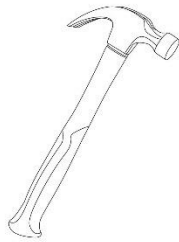
- This product contains small parts, keep away from children.
  - This product contains plastic bags, keep away from children.
  - Serious or fatal crushing injuries can occur from furniture tip-over. To help prevent this, place heaviest items on the lower shelves and drawers. Do not set heavy objects on top shelves and drawers.
  - Never allow children to climb or hang on drawers, shelves and doors.
  - Never open more than one drawer at a time.
  - The use of tip-over restraints may reduce but not eliminate the risk of tip-over.
-

## Let's get started...

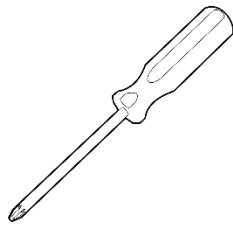
### Helpful hints, read before beginning assembly

- Make sure you receive all boxes. If your item is packed in one box, box count will read 1 of 1, likewise if your item is packed in two boxes, box count will read 1 of 2 and second box will read 2 of 2.
- Read each step carefully. It is very important that each step is performed in the correct order. If these steps are not followed in sequence, assembly difficulties will occur.
- Work in a spacious level area, preferably carpet, near the place the unit will be used.
- **DO NO USE** power tools to assemble your furniture, it will strip and damage parts.
- Your package should include the following hardware and parts. Parts are labeled or stamped on the raw edge. Please inspect contents to ensure you have received all components. **If you are missing any hardware or parts please contact customer service right away before assembly.**

## Assembly Tools Required (not supplied)



Hammer



Phillips Screwdriver



Tape Measure



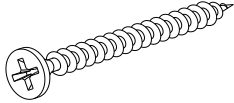

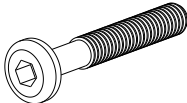
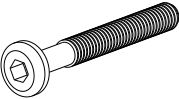
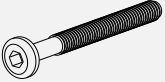
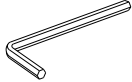
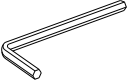
No Power Tools Needed

---

## Product Care and Maintenance

- Wipe clean with dry soft cloth, never use chemicals or cleaning products they will damage the finish.
- Avoid placing your furniture in direct sunlight, as sunlight causes fading.
- Never push, drag or pull your furniture, to move to a new location carefully with two or more people carry the unit to its new location.
- Avoid extreme changes in temperature by arranging furniture away from radiators, heat and air vents and air conditioning units.

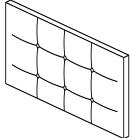
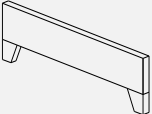
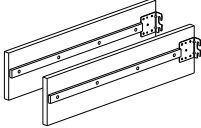
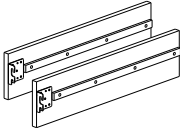
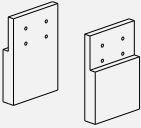
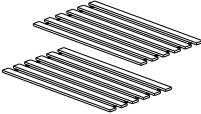
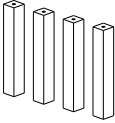
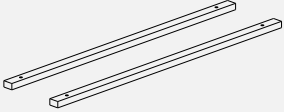
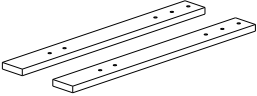
# Hardware List

<p><b>A</b> M4x25mm Screw</p> 	<p><b>QTY</b> <b>24Pcs</b></p> <input data-bbox="480 432 561 504" type="checkbox"/>	<p><b>B</b> Washer</p> 	<p><b>QTY</b> <b>14Pcs</b></p> <input data-bbox="928 432 1010 504" type="checkbox"/>	<p><b>C</b> JCBC M6x25mm</p> 	<p><b>QTY</b> <b>8Pcs</b></p> <input data-bbox="1377 432 1458 504" type="checkbox"/>
<p><b>D</b> JCBC M6x35mm</p> 	<p><b>6Pcs</b></p> <input data-bbox="480 655 561 726" type="checkbox"/>	<p><b>E</b> JCBC M6x45mm</p> 	<p><b>4Pcs</b></p> <input data-bbox="928 667 1010 739" type="checkbox"/>	<p><b>F</b> L Key (M4x65mm)</p> 	<p><b>1Pcs</b></p> <input data-bbox="1377 655 1458 726" type="checkbox"/>
<p><b>G</b> L Key (M5x70mm)</p> 	<p><b>1Pcs</b></p> <input data-bbox="480 903 561 974" type="checkbox"/>				

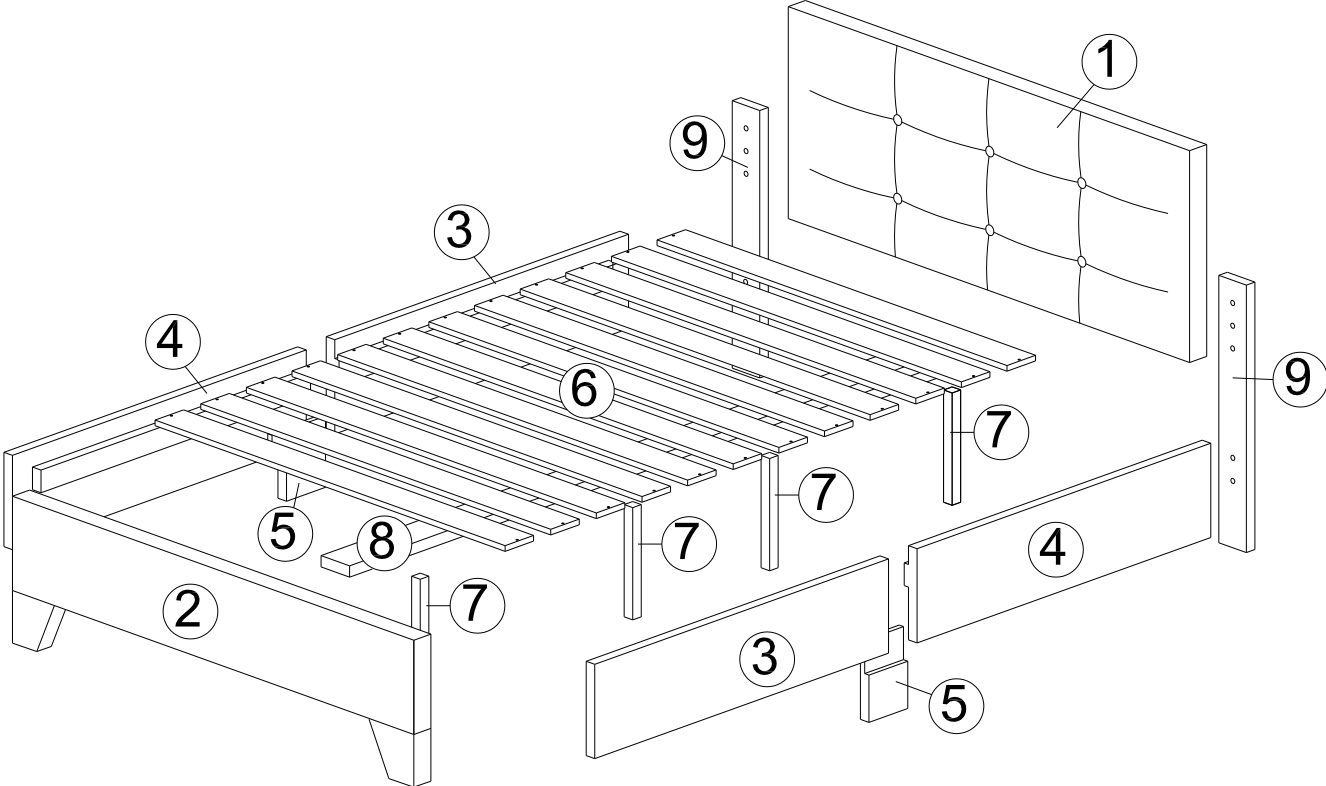
## Important

1. Before you throw the package, please use the Check Box to identify the parts and hardware to ensure that you have everything you need.
2. Check and measure the bolts before applying them to parts.
3. Do not completely tighten all hardware until the entire assembly is complete, unless indicated otherwise.

## Parts List

<p><b>1</b> <b>Head Board</b> 1499x714x76mm</p> 	<p><b>QTY</b> <b>1Pc</b></p> <input data-bbox="443 436 526 506" type="checkbox"/>	<p><b>2</b> <b>Foot Board</b> 1426x305x30mm</p> 	<p><b>QTY</b> <b>1Pc</b></p> <input data-bbox="917 436 1000 506" type="checkbox"/>	<p><b>3</b> <b>Side Rail</b> 959x155x15mm</p> 	<p><b>QTY</b> <b>2Pcs</b></p> <input data-bbox="1409 436 1492 506" type="checkbox"/>
<p><b>4</b> <b>Side Rail</b> 959x155x15mm</p> 	<p><b>2Pcs</b></p> <input data-bbox="443 724 526 793" type="checkbox"/>	<p><b>5</b> <b>Side Support</b> 275x84x30mm</p> 	<p><b>2Pcs</b></p> <input data-bbox="917 724 1000 793" type="checkbox"/>	<p><b>6</b> <b>LVL Slats</b> 1384x60x12mm</p> 	<p><b>12Pcs</b></p> <input data-bbox="1409 724 1492 793" type="checkbox"/>
<p><b>7</b> <b>Center Leg</b> 250x30x30mm</p> 	<p><b>4Pcs</b></p> <input data-bbox="443 997 526 1066" type="checkbox"/>	<p><b>8</b> <b>Center Slats</b> 820x40x15mm</p> 	<p><b>2Pcs</b></p> <input data-bbox="917 997 1000 1066" type="checkbox"/>	<p><b>9</b> <b>Post</b> 605x70x20mm</p> 	<p><b>2Pcs</b></p> <input data-bbox="1409 997 1492 1066" type="checkbox"/>

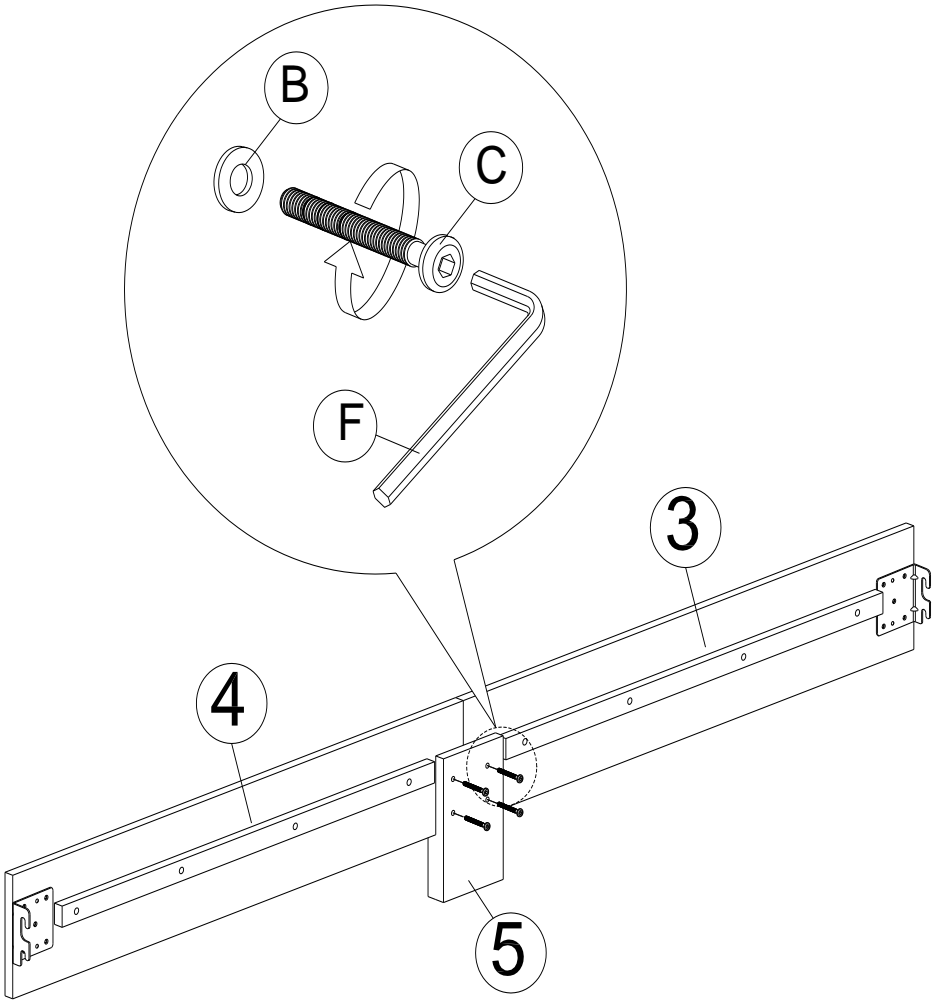
# The Breakdown...



# Step 1

\*Place and fix part 5 onto part 3 and 4 by inserting JCBC (C) with Washer (B).

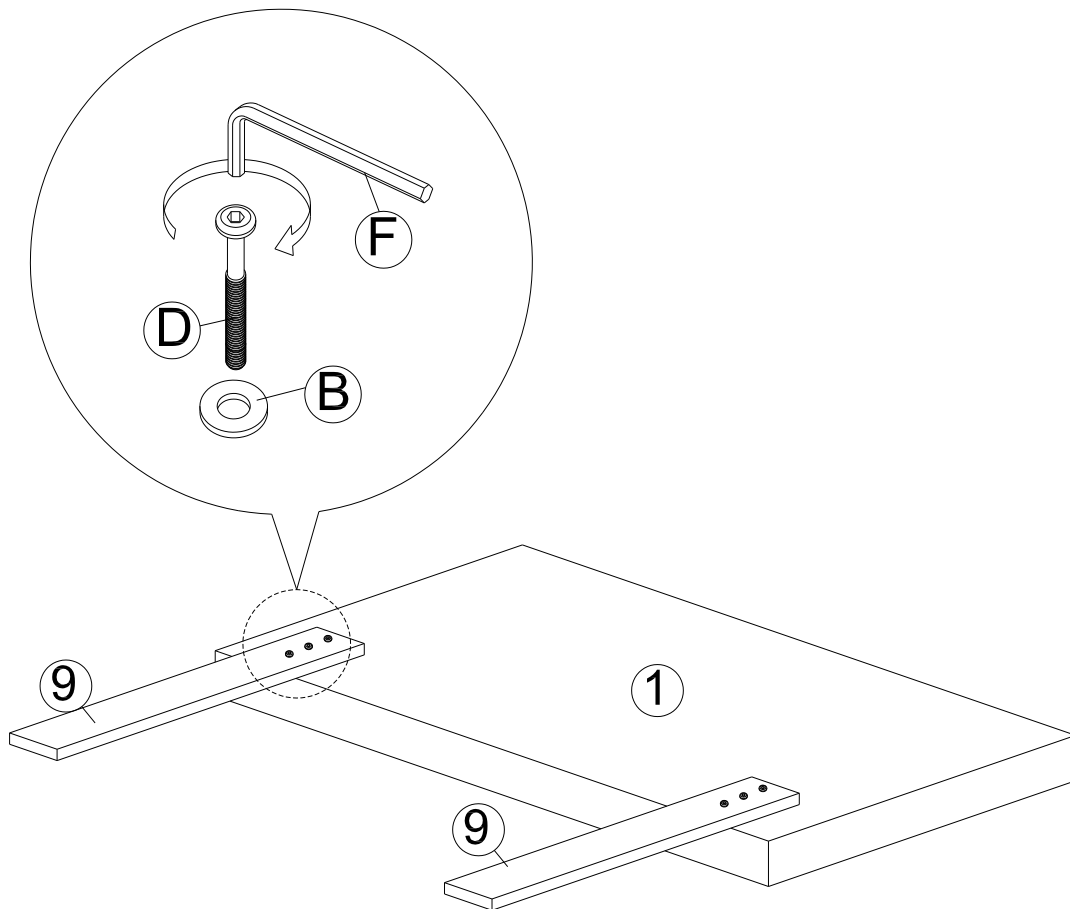
\*Fasten JCBC (C) using predrilled holes on part 5 into part 3 and 4 by using L Key (F).



## Step 2

\*Place and fix part 9 onto part 1.

\*Insert and Fasten JCJB (D) with Washer (B) into predrilled holes on part 9 by using L Key (F).



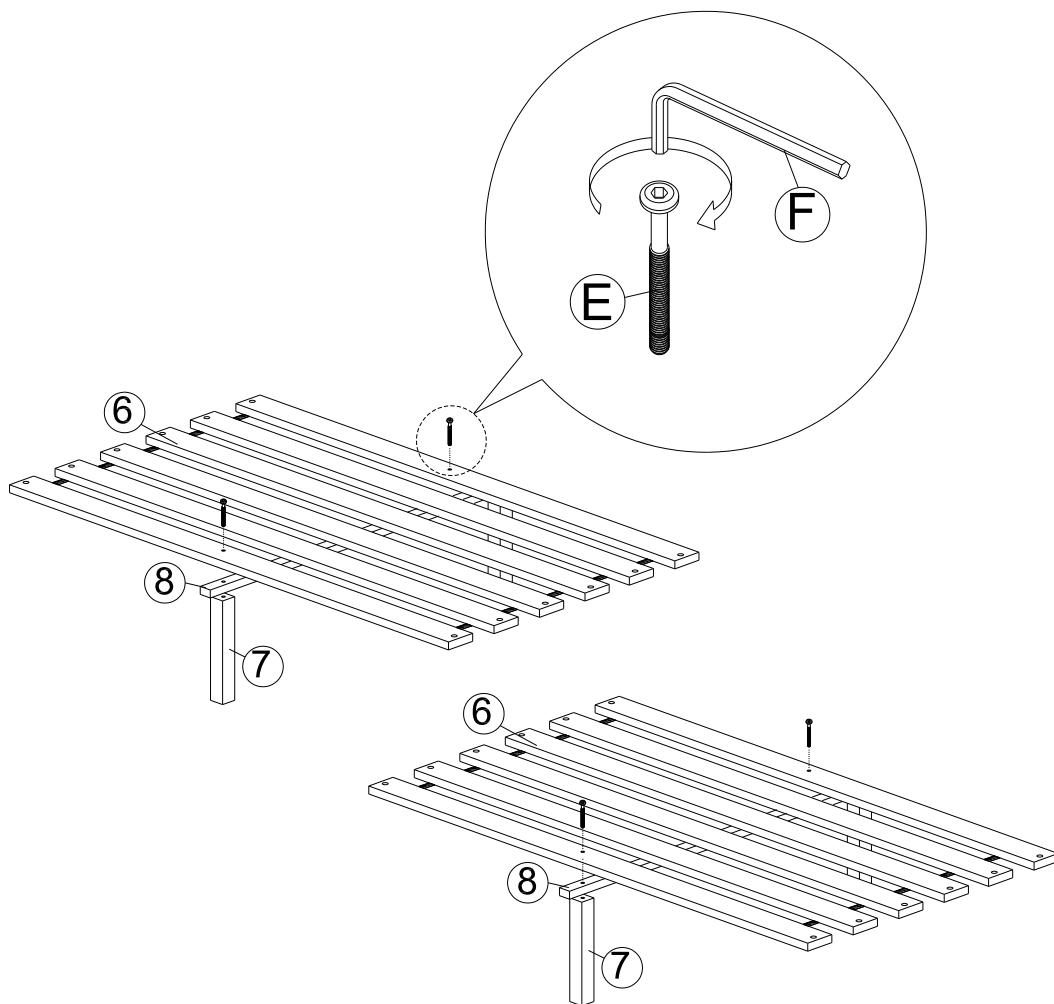


## Step 3

\* First prepare Part 6, 7 and 8.

\*Insert JCBC (E) into predrilled holes of Part 6 and 8 thru Part 7.

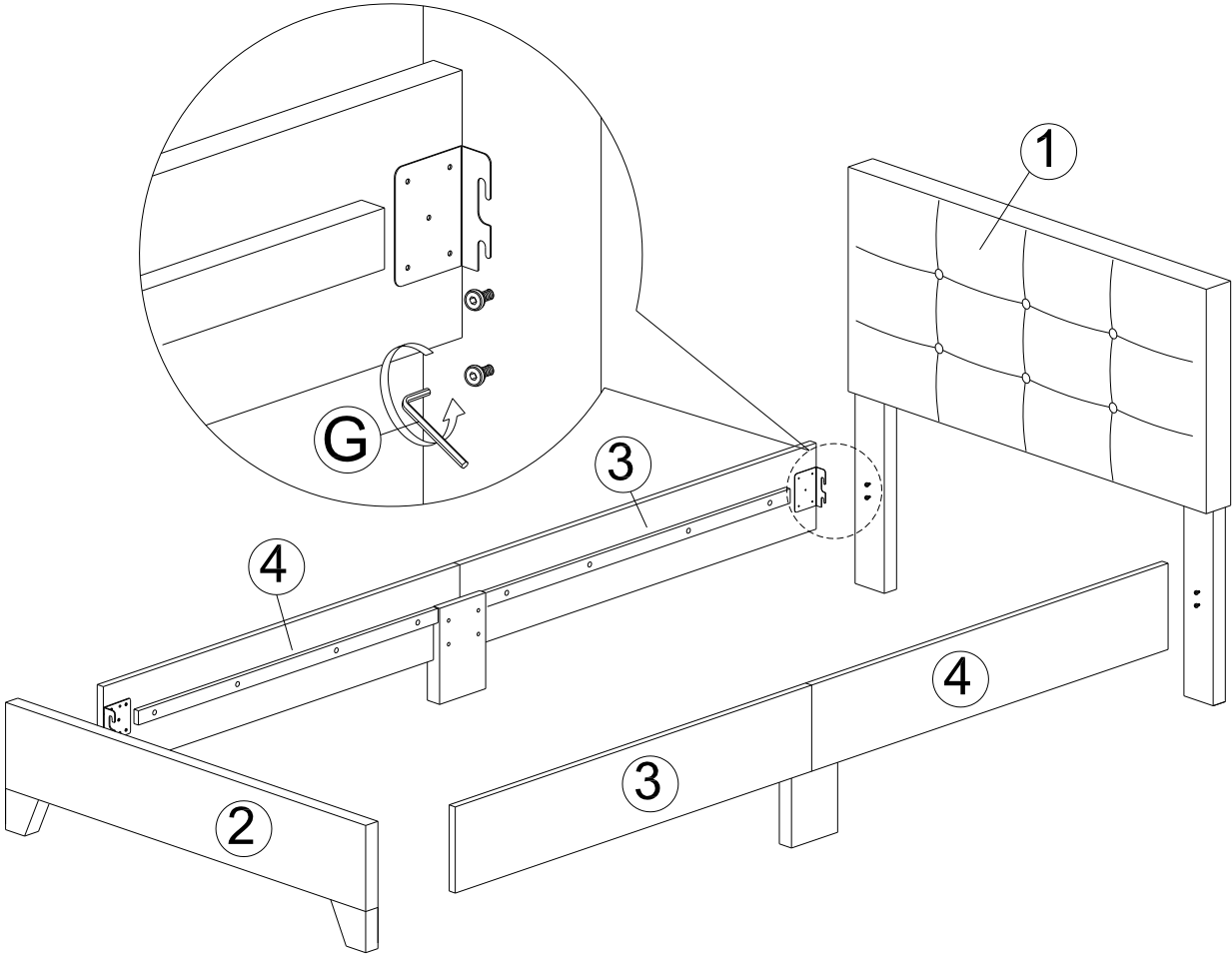
\*Fasten JCBC (E) by using L Key (F).



# Step 4

\*Place Part 3 and 4 to hook Part 1 and Part 2.

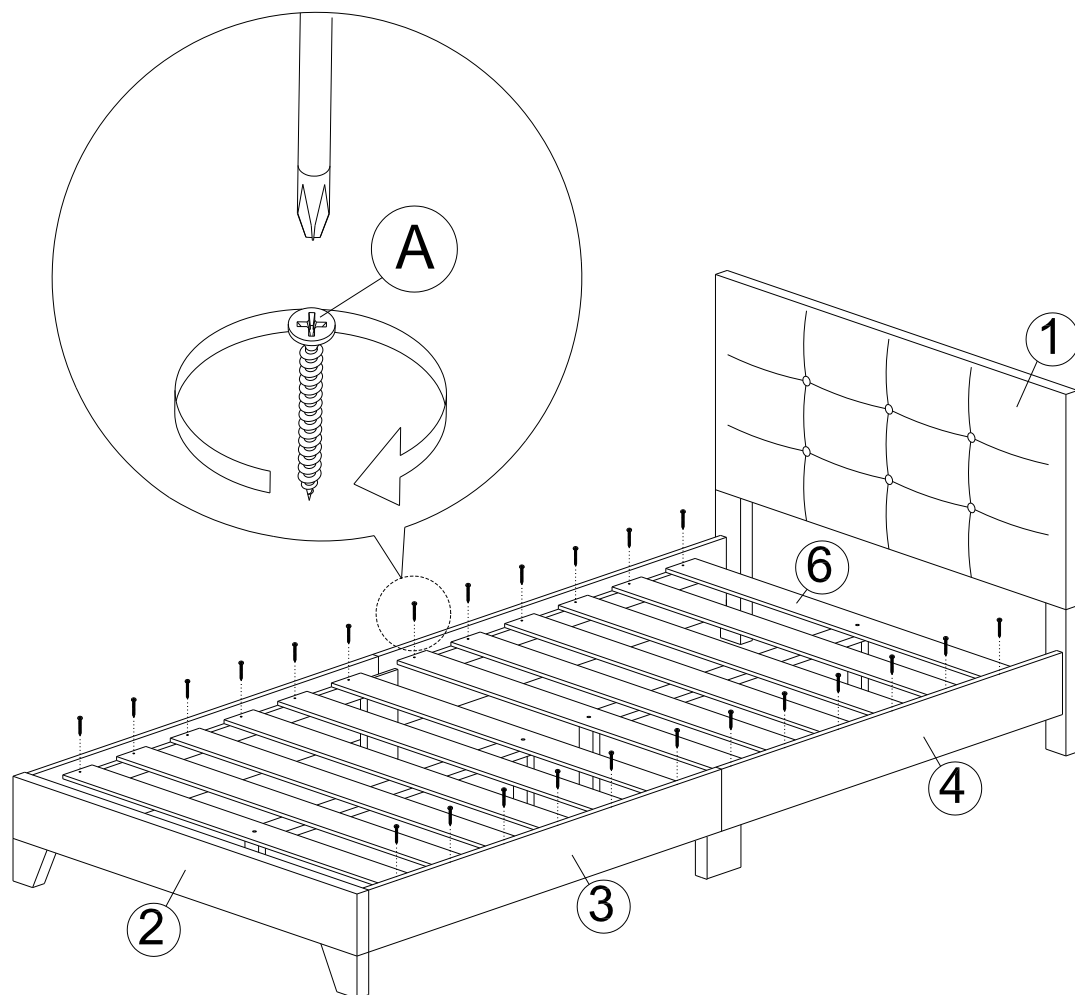
\*Fasten JCBC by using L Key (G).



## Step 5

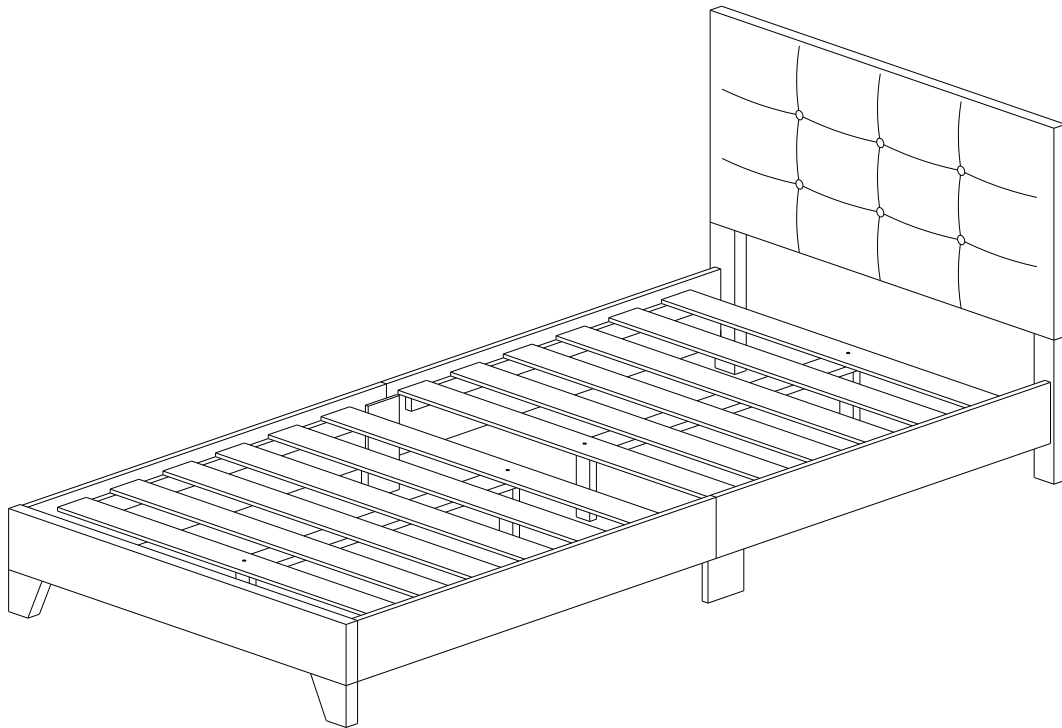
\*Place Part 6, 7 and 8 inside Part 1, 2, 3 and 4.

\*Faster Screw (A) into predrilled holes of Part 6 by using Screwdriver.



**HODEDAH®**

**Job Complete...**



**Enjoy & Thank you for purchasing from Hodedah!**

