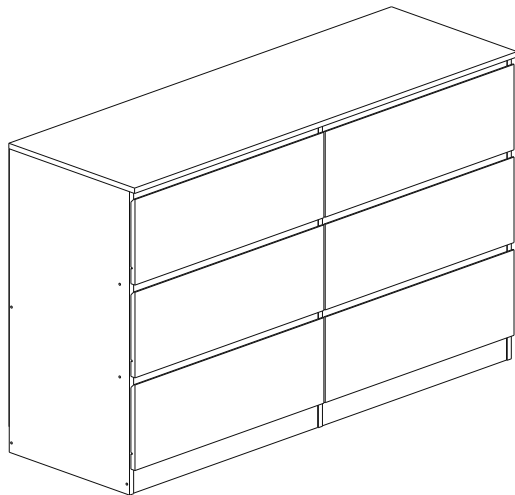


Assembly Instructions

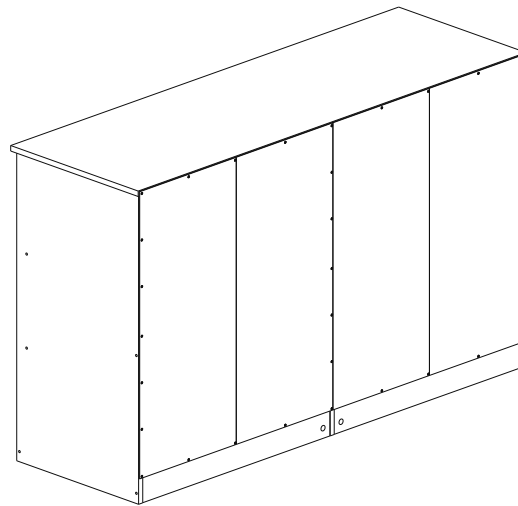
This instruction booklet contains important safety information, please read and keep for future reference.

ITEM # HI60DR

6 DRAWER DRESSER



FRONT VIEW



BACK VIEW

Product Dimensions: Height 34.05" x Width 55.11" x Depth 18.11"

Weight Capacity per drawer: 20 lbs.



Phone

Mon – Fri | 9:30 am to 5pm EST

1 - 855 – HODEDAH

1 – 855 – 463 -3324



Email

Send us an email

Support@Hodedah.com



Website

Visit our website to open a case

www.Hodedah.com

Questions, need parts, we are here to help!

FOR PROMPT, RELIABLE SERVICE PLEASE HAVE YOUR INSTRUCTION MANUAL READY



DO NOT RETURN PRODUCT TO THE STORE

If parts are missing or damaged please contact our customer service team and we will gladly ship your replacement parts **FREE** of charge within **ONE YEAR** of purchase!

WARRANTY

Hodedah warrants this product to be free from defects in materials and workmanship and agrees to remedy any such defect. This warranty covers one year from the date of original purchase. This is solely limited to replacement of defective parts and no assembly for labor is included. This warranty does not apply to any product that has been improperly assembled, subjected to misuse, abuse or which has been altered or repaired in any way. To obtain warranty service, original purchaser must present the following; original bill of sale, date of purchase, where the product was purchased and images if applicable. Components replaced warranted through the remainder of the original warranty only. The defective part will be replaced without charge, subject to the terms and conditions described above.

WARNING

- This product contains small parts, keep away from children.
 - This product contains plastic bags, keep away from children.
 - Serious or fatal crushing injuries can occur from furniture tip-over. To help prevent this, place heaviest items on the lower shelves and drawers. Do not set heavy objects on top shelves and drawers.
 - Never allow children to climb or hang on drawers, shelves and doors.
 - Never open more than one drawer at a time.
 - The use of tip-over restraints may reduce but not eliminate the risk of tip-over.
-

Let's get started...

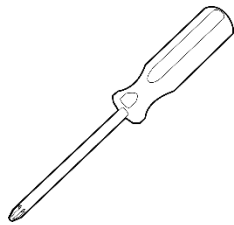
Helpful hints, read before beginning assembly

- Make sure you receive all boxes. If your item is packed in one box, box count will read 1 of 1, likewise if your item is packed in two boxes, box count will read 1 of 2 and second box will read 2 of 2.
- Read each step carefully. It is very important that each step is performed in the correct order. If these steps are not followed in sequence, assembly difficulties will occur.
- Work in a spacious level area, preferably carpet, near the place the unit will be used.
- **DO NO USE** power tools to assemble your furniture, it will strip and damage parts.
- Your package should include the following hardware and parts. Parts are labeled or stamped on the raw edge. Please inspect contents to ensure you have received all components. **If you are missing any hardware or parts please contact customer service right away before assembly.**

Assembly Tools Required(not supplied)



Hammer



Phillips Screwdriver



Tape Measure

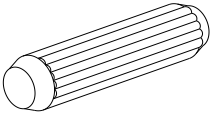
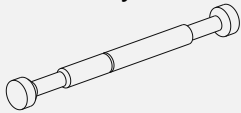
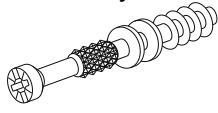
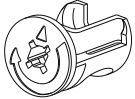
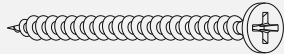
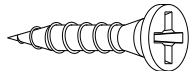

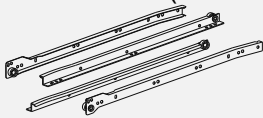
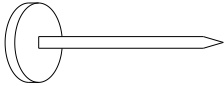



No Power Tools Needed

Product Care and Maintenance

- Wipe clean with dry soft cloth, never use chemicals or cleaning products that will damage the finish.
- Avoid placing your furniture in direct sunlight, as sunlight causes fading.
- Never push, drag or pull your furniture, to move to a new location carefully with two or more people carry the unit to its new location.
- Avoid extreme changes in temperature by arranging furniture away from radiators, heat and air vents and air conditioning units.

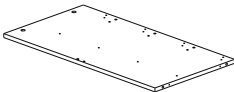
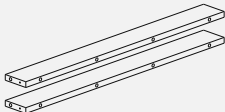

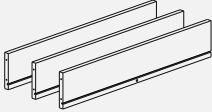
Hardware List

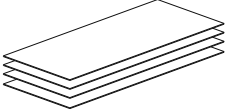



<p>A 8x25mm Dowel</p> 	<p>QTY 72Pcs</p> <input type="checkbox"/>	<p>B 63mm Myfix</p> 	<p>QTY 5Pcs</p> <input type="checkbox"/>	<p>C 33mm Myfix</p> 	<p>QTY 24Pcs</p> <input type="checkbox"/>
<p>D Minifix</p> 	<p>34Pcs</p> <input type="checkbox"/>	<p>E M4x45mm Screw</p> 	<p>40Pcs</p> <input type="checkbox"/>	<p>F M3.5x16mm Screw</p> 	<p>72Pcs</p> <input type="checkbox"/>
<p>G Sticker</p> 	<p>10Pcs</p> <input type="checkbox"/>	<p>H Drawer Slide (300mm)</p> 	<p>6Sets</p> <input type="checkbox"/>	<p>I 5/8 Nail With Pin</p> 	<p>6Pcs</p> <input type="checkbox"/>
<p>J 6/8 Power Pin</p> 	<p>40Pcs</p> <input type="checkbox"/>				

Important

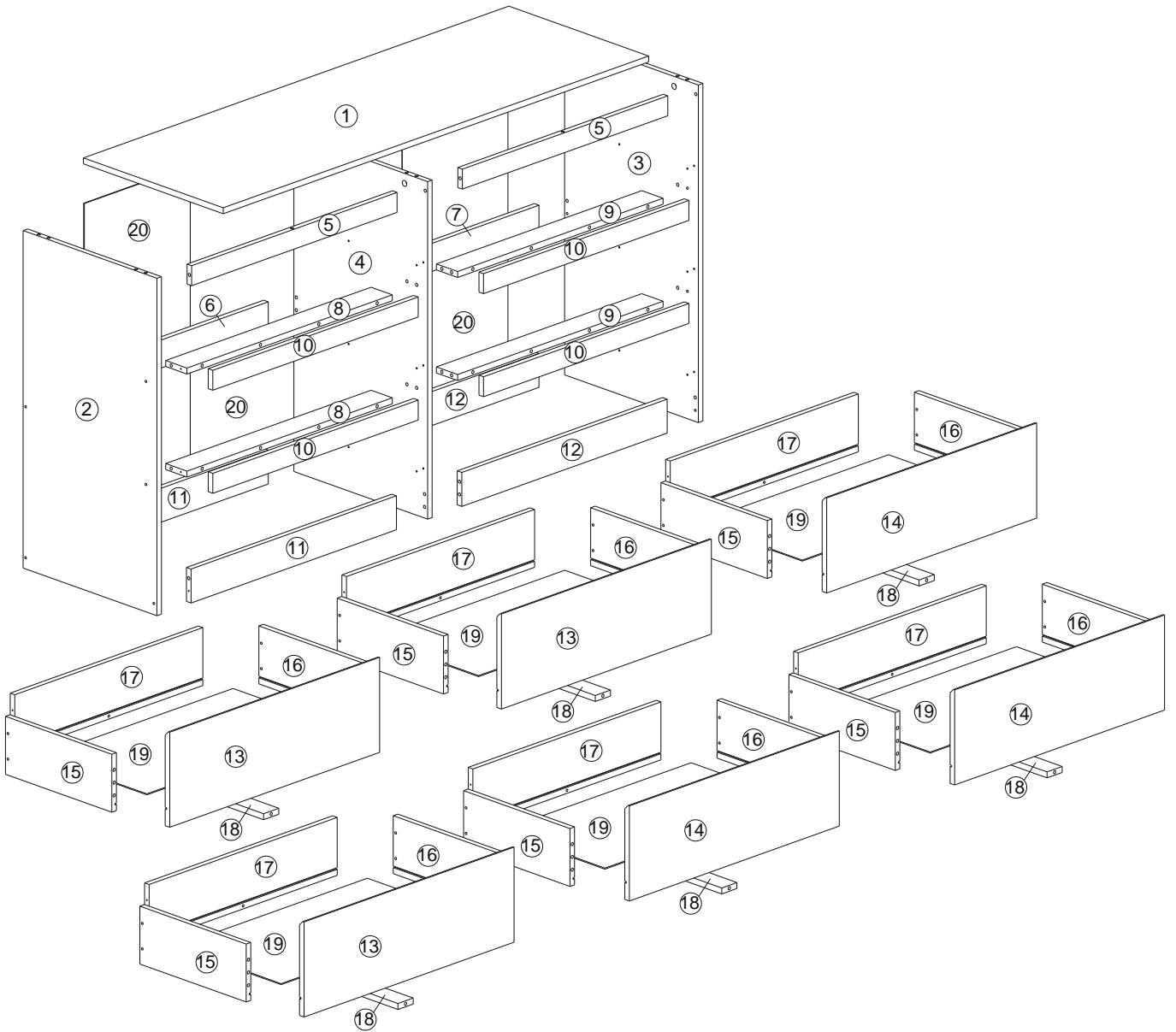
1. Before you throw the package, please use the Check Box to identify the parts and hardware to ensure that you have everything you need.
2. Check and measure the bolts before applying them to parts.
3. Do not completely tighten all hardware until the entire assembly is complete, unless indicated otherwise.

Parts List

1 Top Panel 1400x460x15mm 	QTY 1Pc <input type="checkbox"/>	2 Left Side Panel 845x440x15mm 	QTY 1Pc <input type="checkbox"/>	3 Right Side Panel 845x440x15mm 	QTY 1Pc <input type="checkbox"/>
4 Divider Panel 845x440x15mm 	1Pc <input type="checkbox"/>	5 Top Strengthening Panel 676x50x15mm 	2Pcs <input type="checkbox"/>	6 Left - Back Strengthening Panel 676x70x15mm 	1Pc <input type="checkbox"/>
7 Right - Back Strengthening Panel 676x70x15mm 	1Pc <input type="checkbox"/>	8 Left - Front Strengthening Panel 676x70x15mm 	2Pcs <input type="checkbox"/>	9 Right - Front Strengthening Panel 676x70x15mm 	2Pcs <input type="checkbox"/>
10 Coni Panel 676x50x15mm 	4Pcs <input type="checkbox"/>	11 Left - Leg Panel 676x85x15mm 	2Pcs <input type="checkbox"/>	12 Right - Leg Panel 676x85x15mm 	2Pcs <input type="checkbox"/>
13 Left - Drawer Front Panel 691x238x15mm 	3Pcs <input type="checkbox"/>	14 Right - Drawer Front Panel 691x238x15mm 	3Pcs <input type="checkbox"/>	15 Drawer - Left Side Panel 350x145x15mm 	6Pcs <input type="checkbox"/>
16 Drawer - Right Side Panel 350x145x15mm 	6Pcs <input type="checkbox"/>	17 Drawer End Panel 619x145x15mm 	6Pcs <input type="checkbox"/>	18 Drawer Base Supporting Panel 335x50x15mm 	6Pcs <input type="checkbox"/>

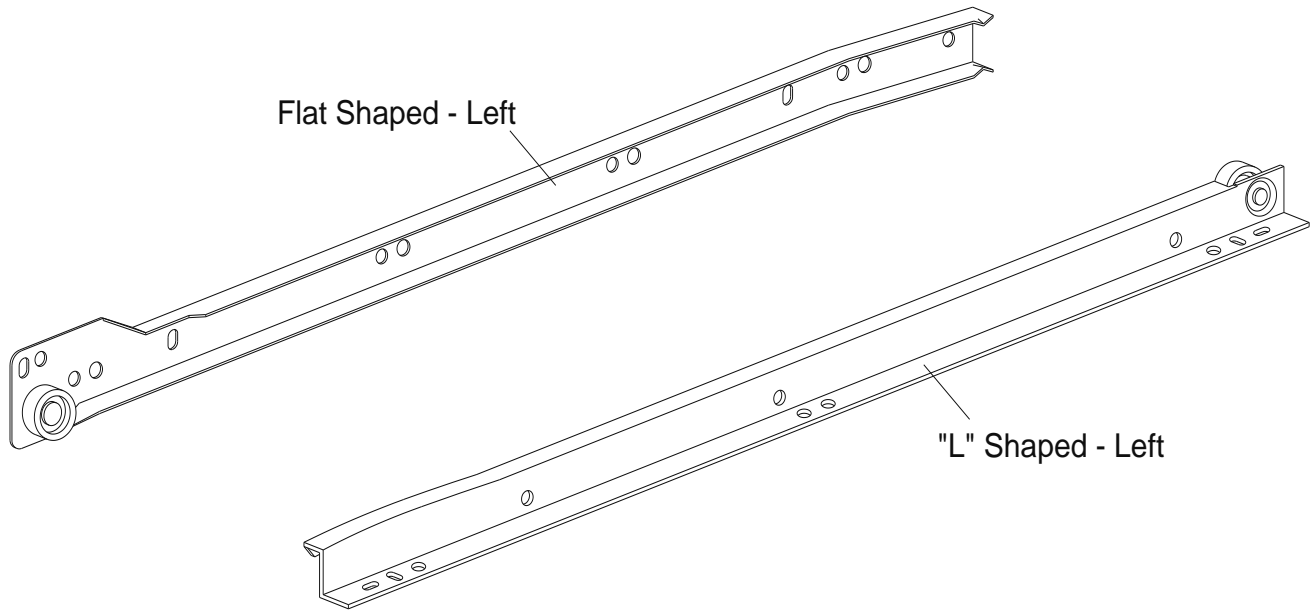
19 Drawer Base Panel 628x344x2.5mm 	6Pcs 	20 Back Panel 788x348.5x2.5mm 	4Pcs 
---	--	--	--

The Breakdown...

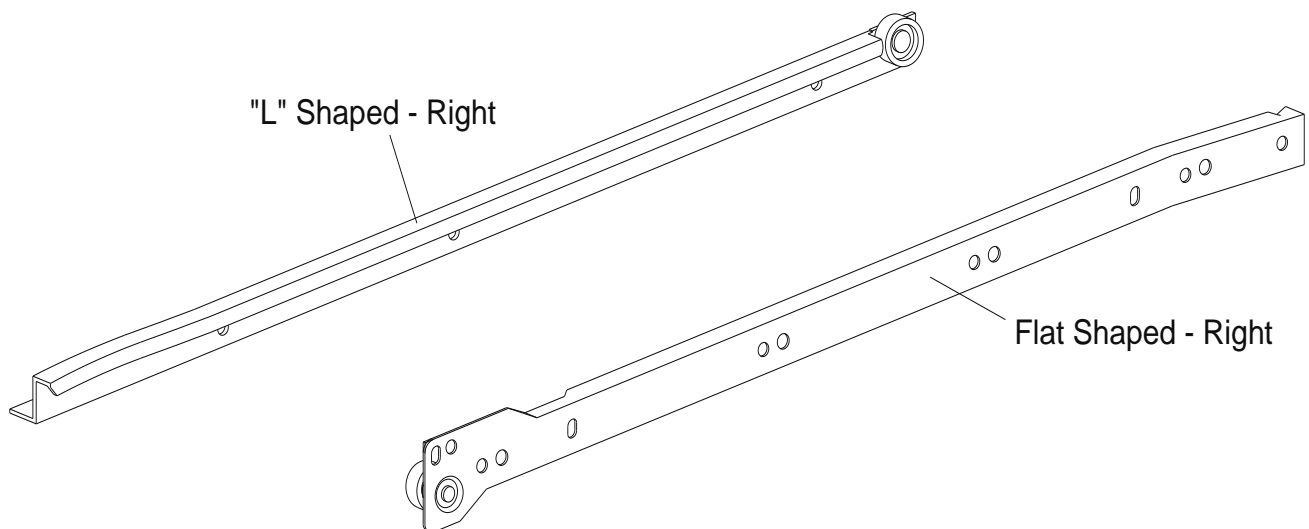


On hardware list, you will find six bundles of drawer slide (H), left and right as shown in picture below.

Left Drawer Slide(H)



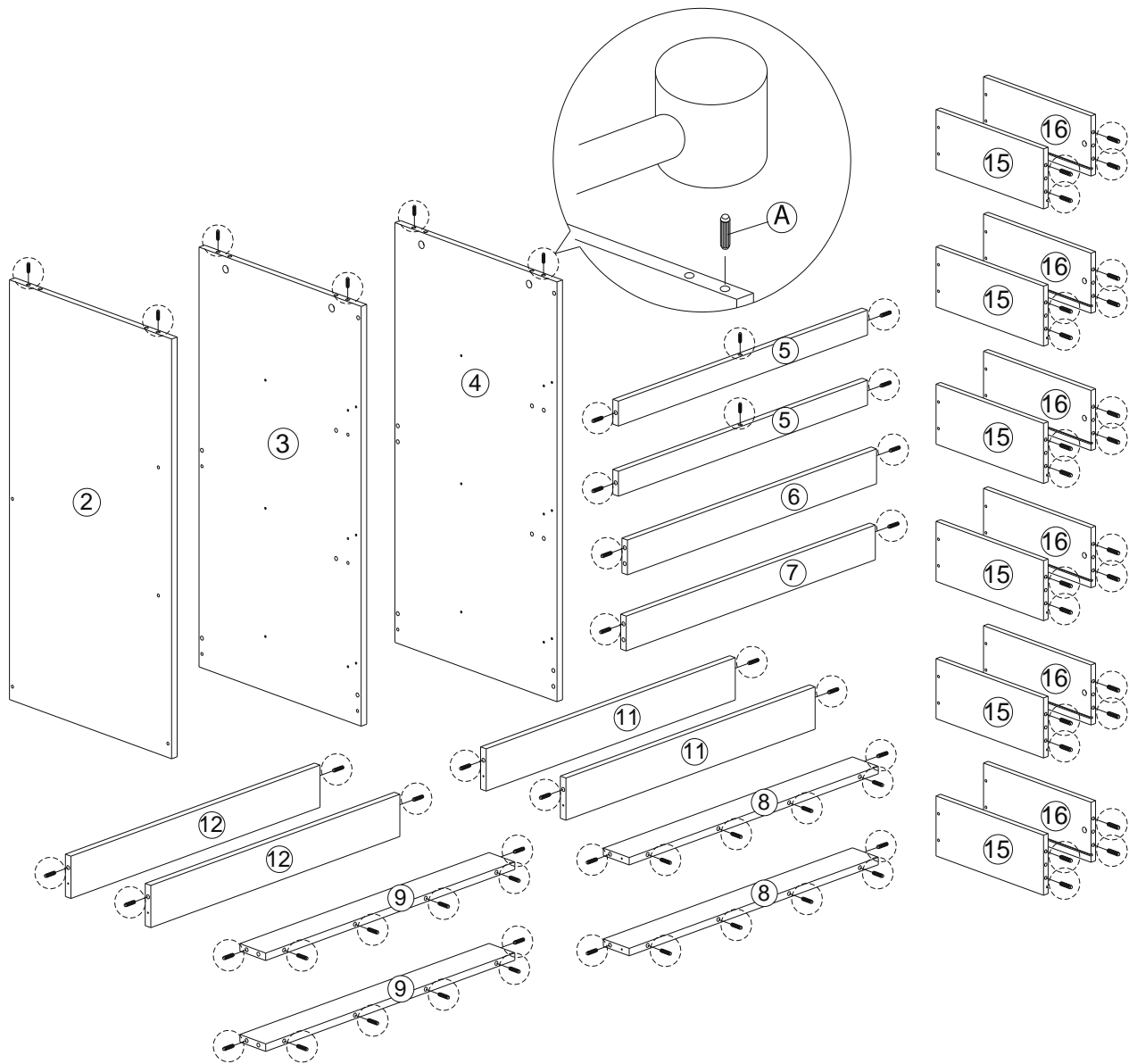
Right Drawer Slide(H)

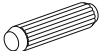


Step 1

Insert PVC dowels (A) to Panel 2, 3, 4, 5, 6, 7, 8, 9, 11, 12, 15 and 16's non-thru holes as shown, using hammer to gently tap them in.

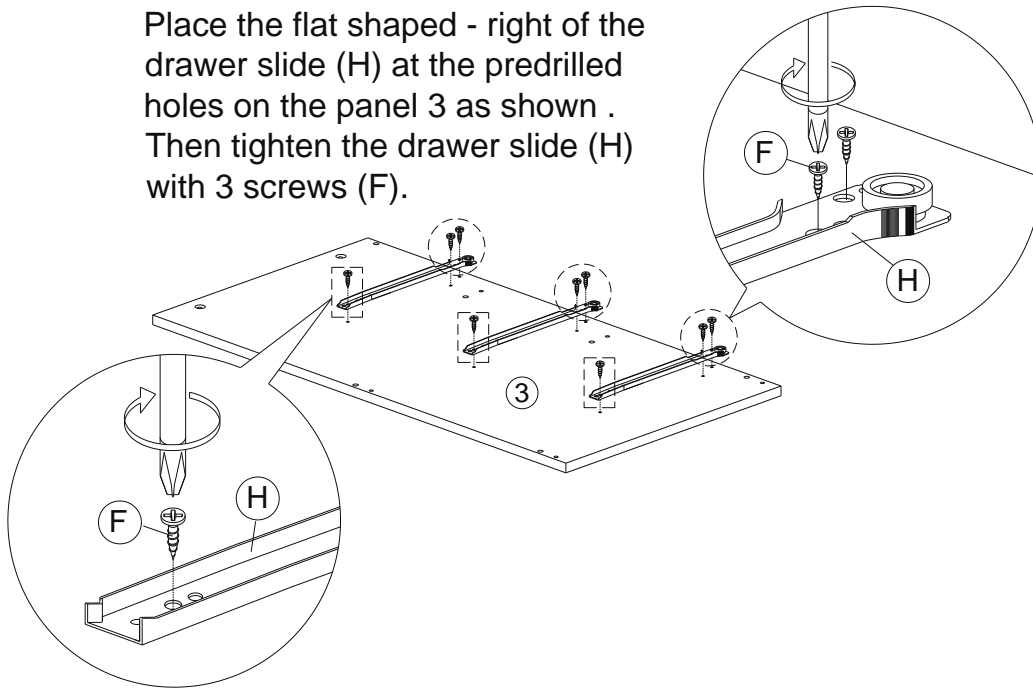
Non-thru holes (are small indents in the wood that show you where the screws should be.)



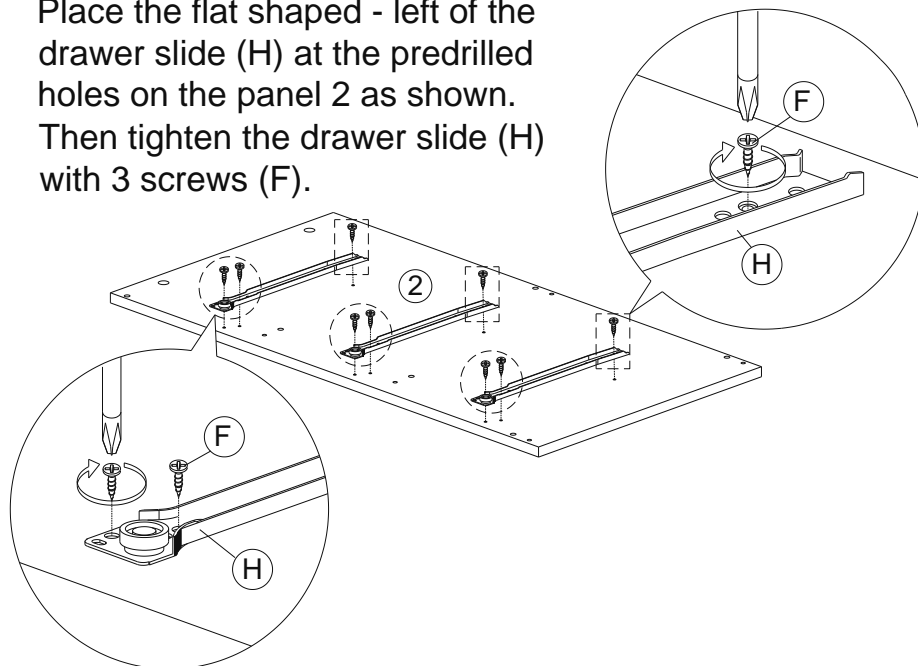
A		8x25mm Dowel	72Pcs
----------	---	--------------	-------

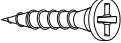

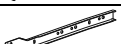
Step 2

Place the flat shaped - right of the drawer slide (H) at the predrilled holes on the panel 3 as shown .
Then tighten the drawer slide (H) with 3 screws (F).



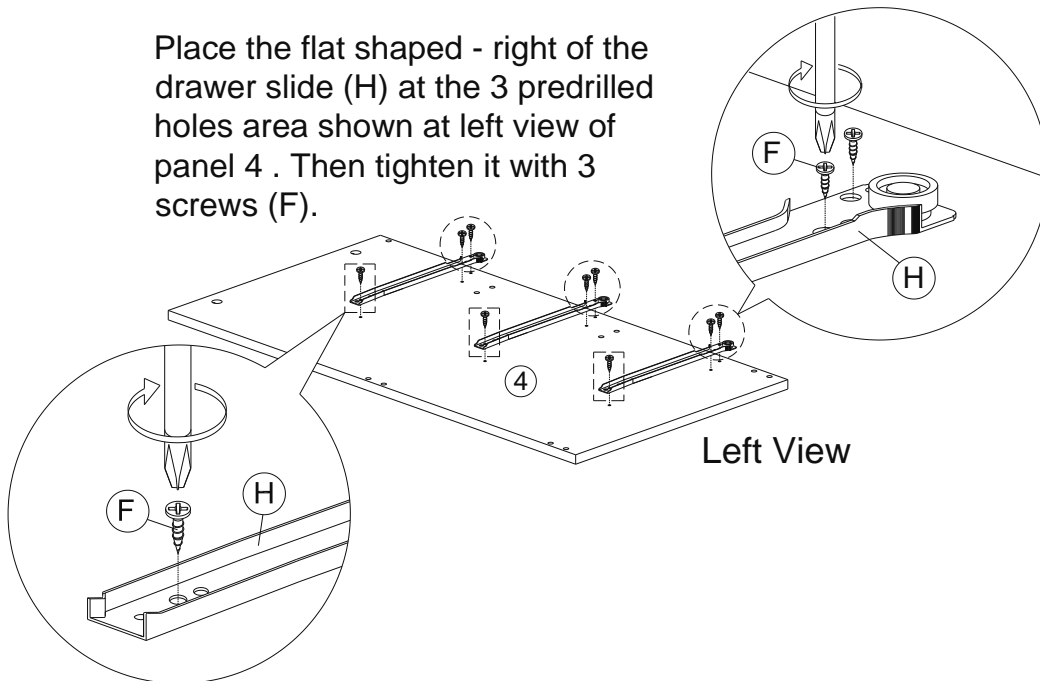
Place the flat shaped - left of the drawer slide (H) at the predrilled holes on the panel 2 as shown.
Then tighten the drawer slide (H) with 3 screws (F).



F		M3.5x16mm Screw	18Pcs
H		Drawer Slide 300mm - Right	3Pcs
H		Drawer Slide 300mm - Left	3Pcs

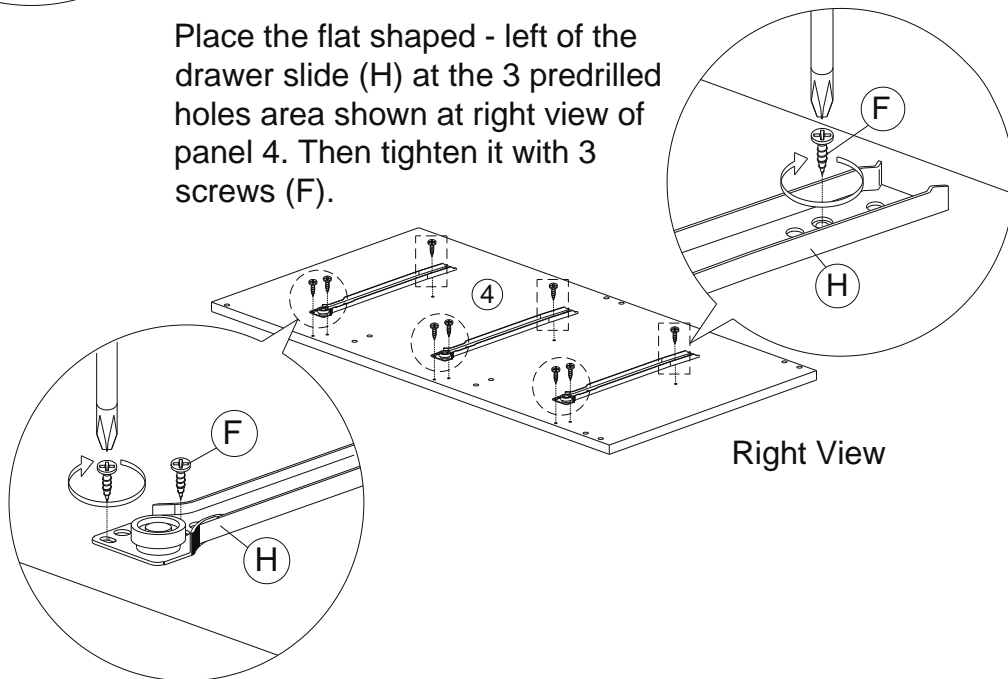
Step 3

Place the flat shaped - right of the drawer slide (H) at the 3 predrilled holes area shown at left view of panel 4 . Then tighten it with 3 screws (F).

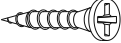

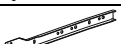


Left View

Place the flat shaped - left of the drawer slide (H) at the 3 predrilled holes area shown at right view of panel 4. Then tighten it with 3 screws (F).

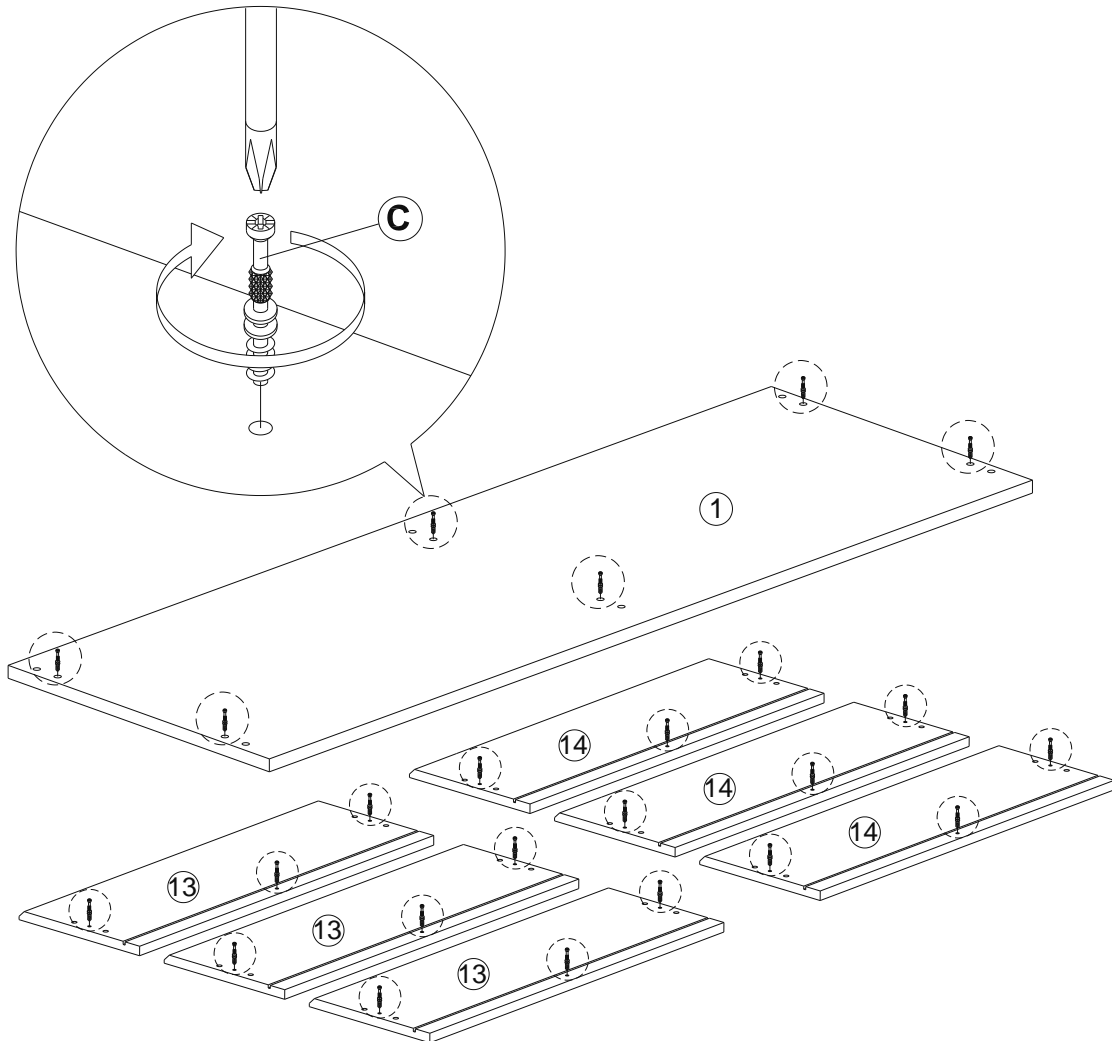


Right View

F		M3.5x16mm Screw	18Pcs
H		Drawer Slide 300mm - Right	3Pcs
H		Drawer Slide 300mm - Left	3Pcs

Step 4

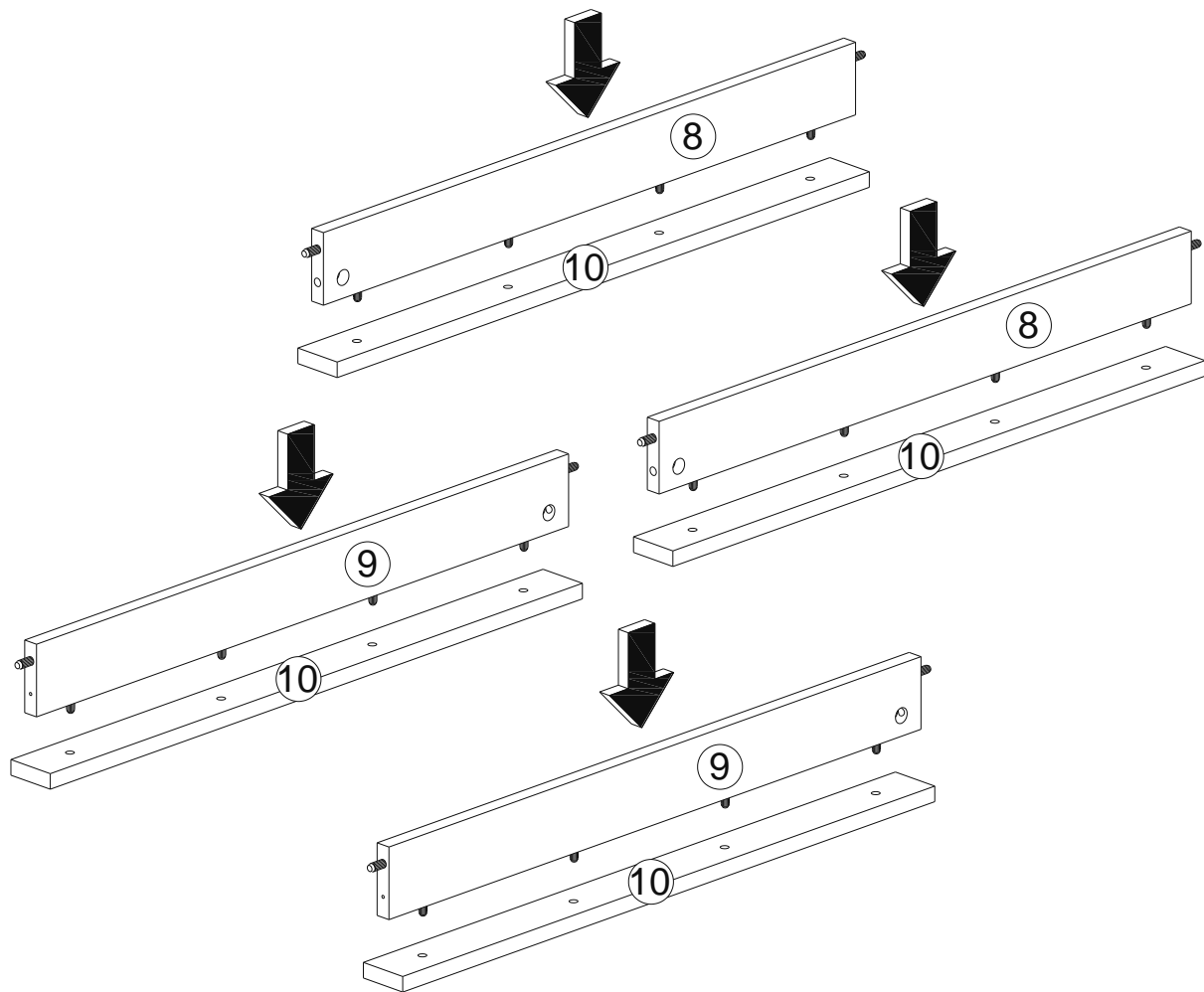
*Place 33mm myfix (C) long piece onto the holes of panel 1, 13 and 14. (You will use 24 pieces)



C		33mm Myfix	24Pcs
----------	---	------------	-------

Step 5

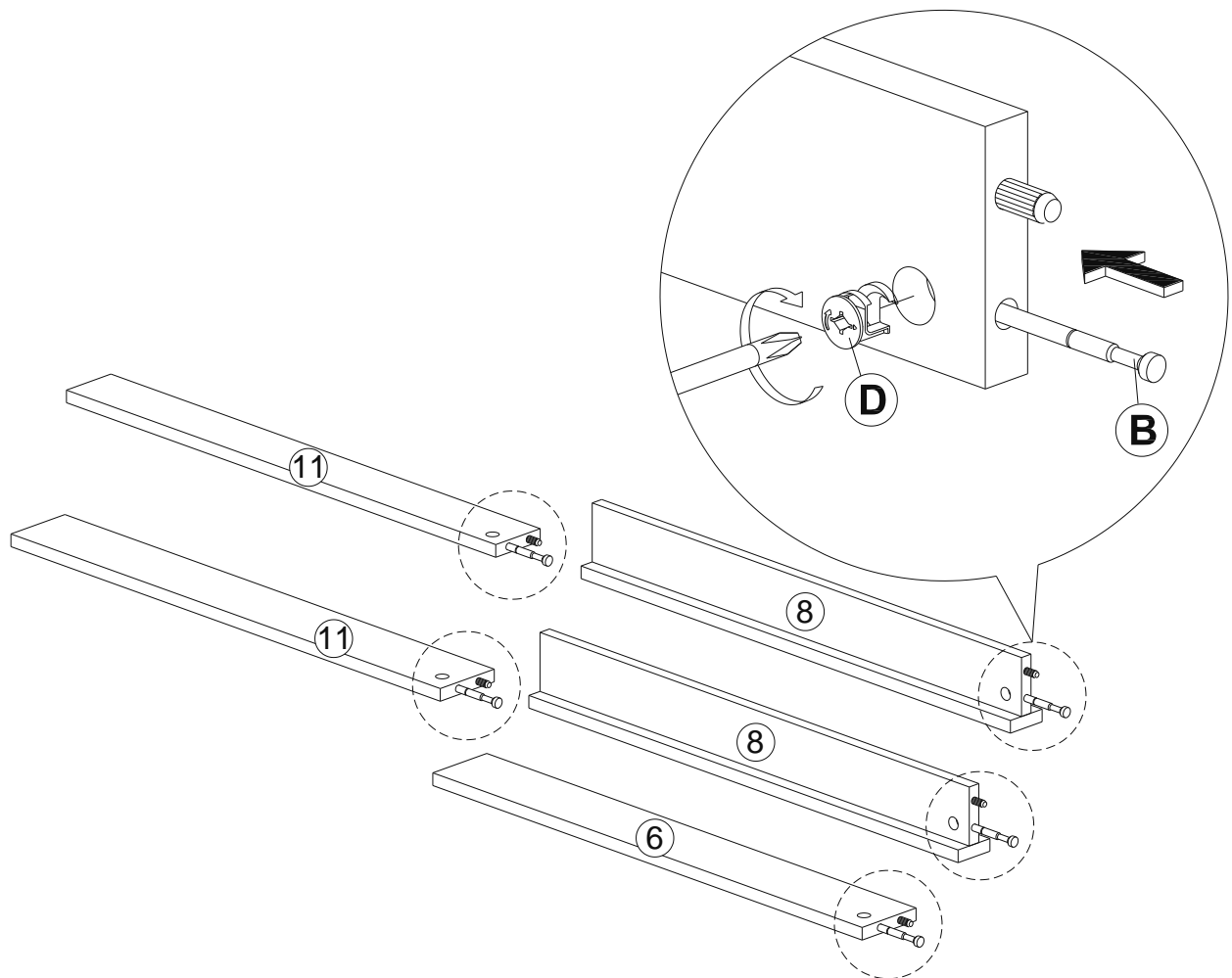
*Attach panel 8 and 9 onto panel 10, align the position properly and slightly top them in with hammer.





Step 6

*Insert 63mm myfix (B) onto the holes of panel 8 and 11 as shown

*Insert the minifix (D) nuts with the cross arrow mark facing upwards and tighten it clockwise.



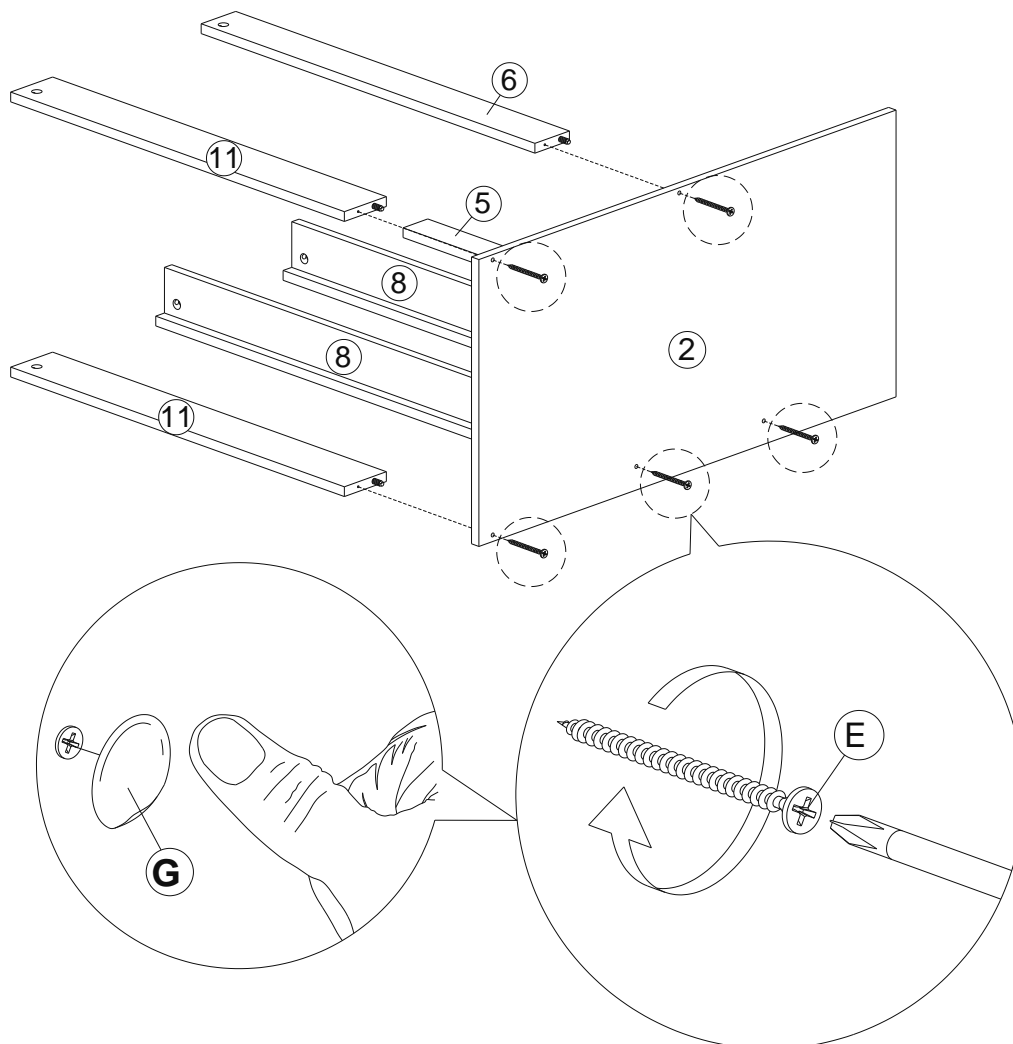
B		63mm Myfix	5Pcs
D		Minifix	5Pcs



Step 7

* Attach panel 5, 6, 8 and 11 onto panel 2, align the position properly and slightly tap them in with hammer.

*Fasten screws (E) from the outside of panel 2 by using the predrilled holes to fix panel 6, 8 and 11.

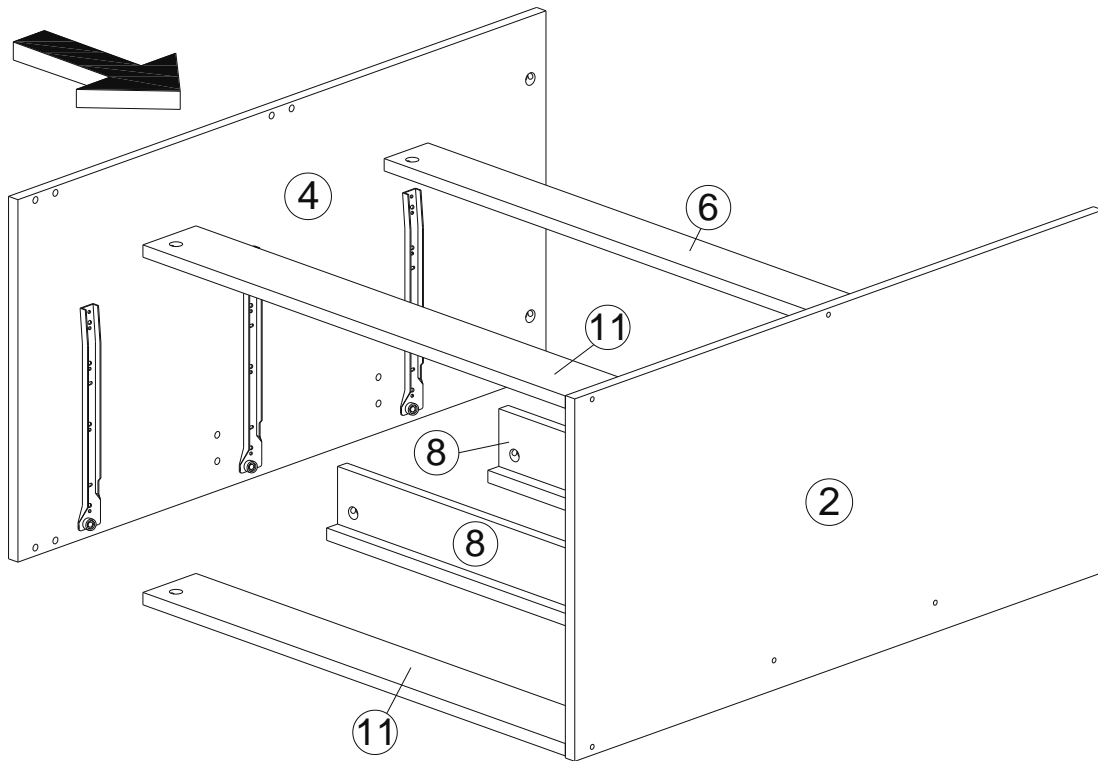
*Cover all the screws (E)' head with stickers (G) provided by stick up onto hole of screw (E)' heads one by one.



E		M4x45mm Screw	5Pcs
G		Sticker	5Pcs

Step 8

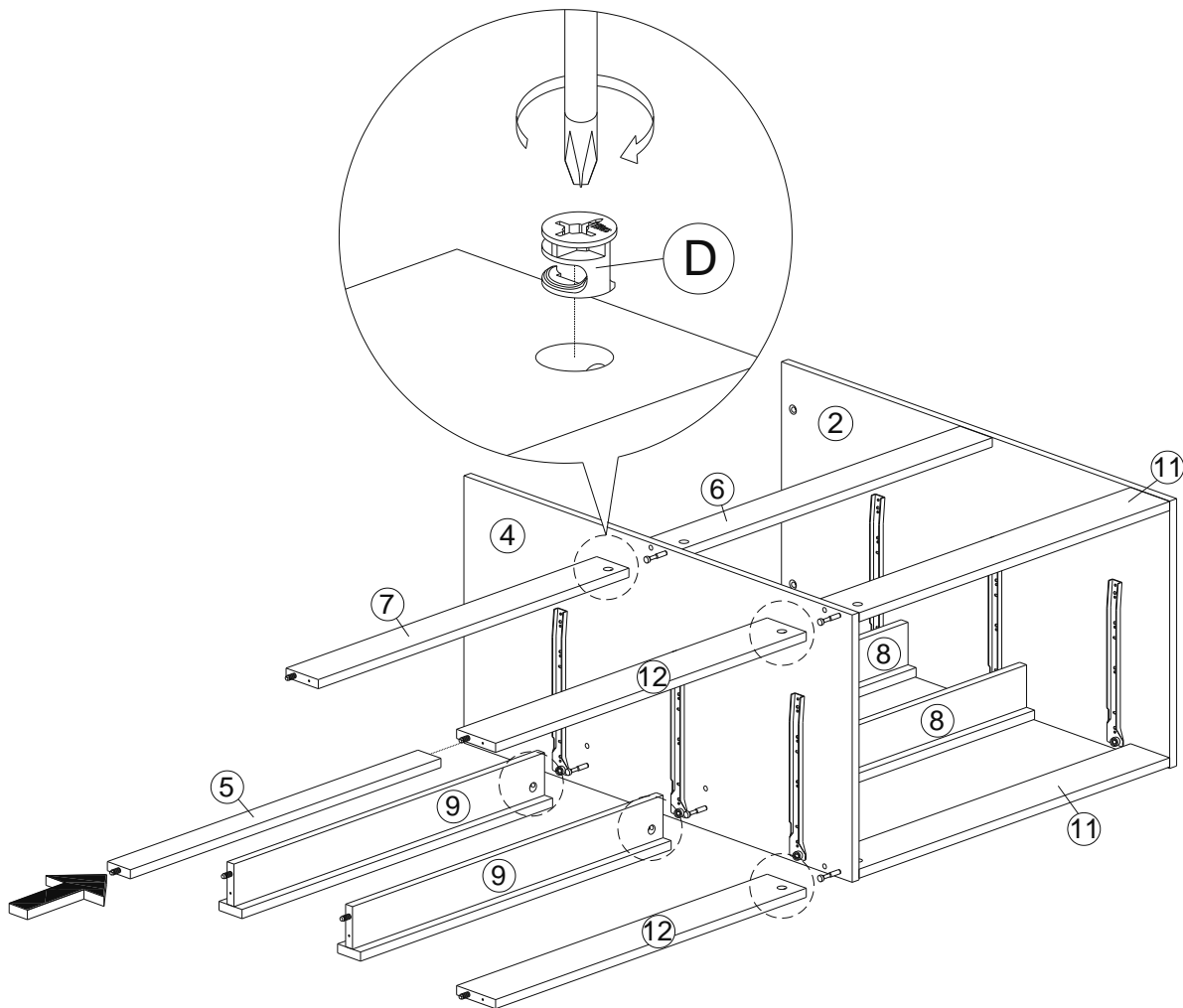
*Attach panel 4 onto panel 6, 8 and 11, align the position properly and slightly tap them in with hammer.




Step 9

*Attach panel 5, 7, 9 and 12 onto panel 4, align the position properly and slightly tap them in with hammer.

* Tighten minifix (D) nuts clockwise to lock minifix up to fix the panel as shown.



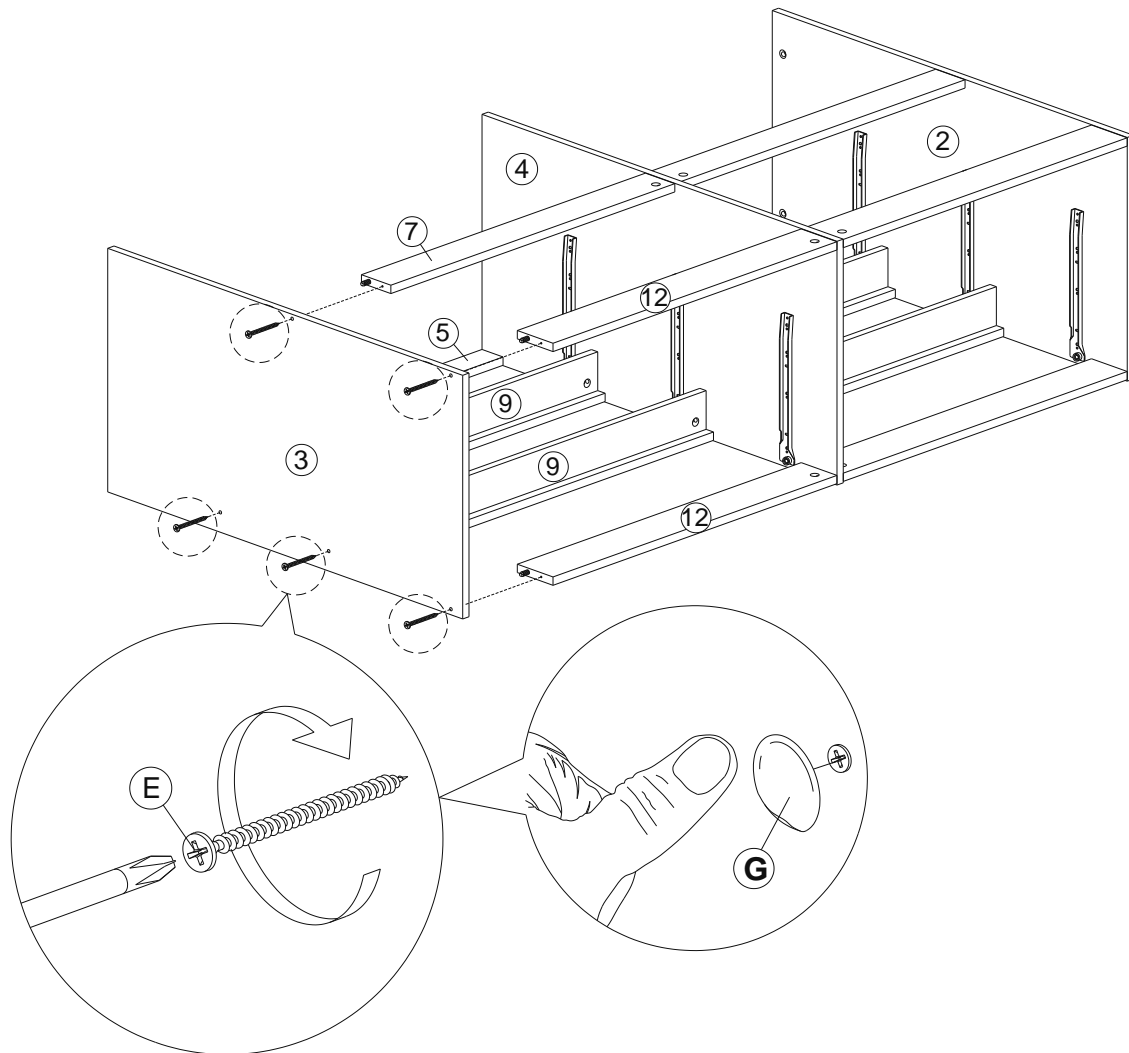
D		Minifix	5Pcs
----------	---	---------	------



Step 10

* Attach panel 3 onto panel 5, 7, 9 and 12, align the position properly and slightly tap them in with hammer.

*Fasten screws (E) onto the predrilled holes of panel 3 to fix panel 7, 9 and 12.

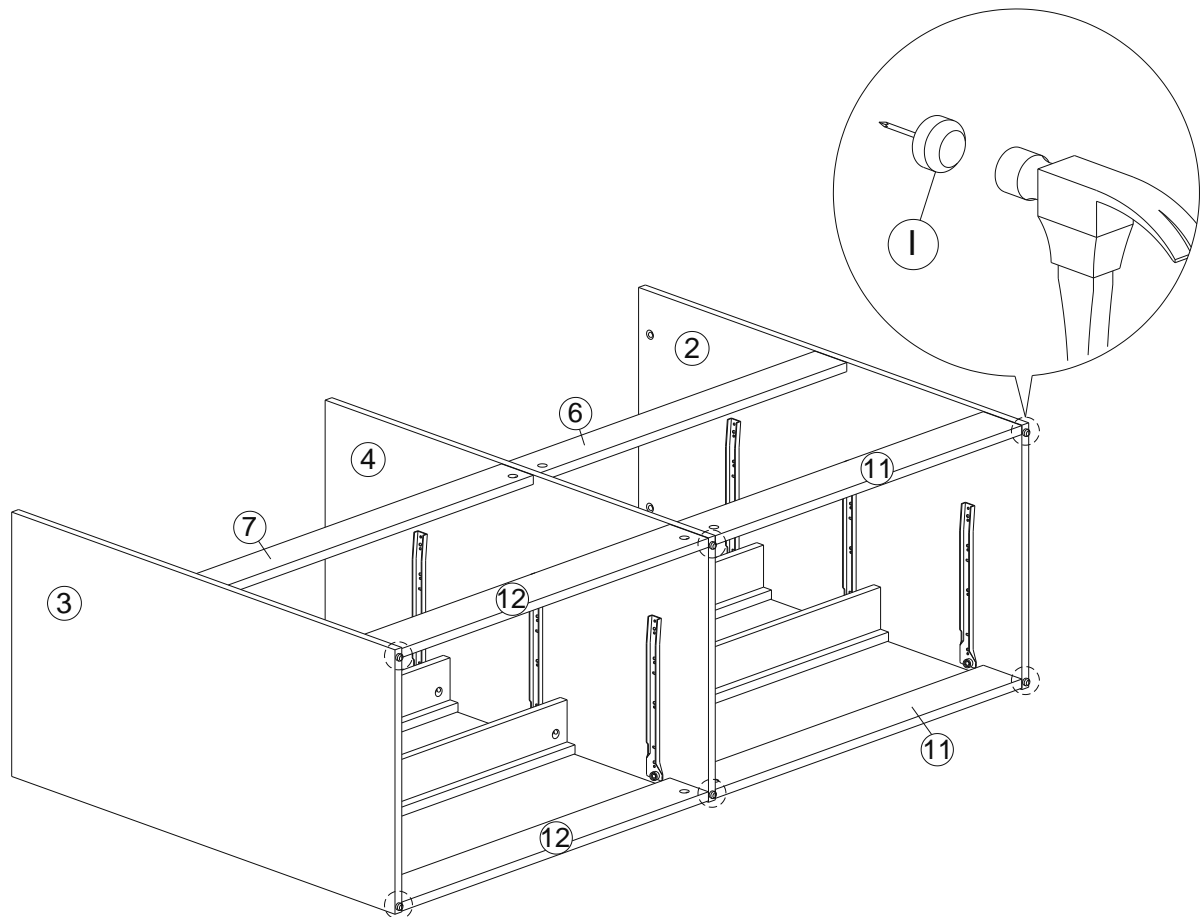
*Cover all the screws (E)' head with stickers (G) provided by stick up onto hole of screw (E)' heads one by one.




E		M4x45mm Screw	5Pcs
G		Sticker	5Pcs

Step 11

*Insert nails (I) protection onto the bottom edge of panel 2, 3 and 4, slightly tapping them in with a hammer.



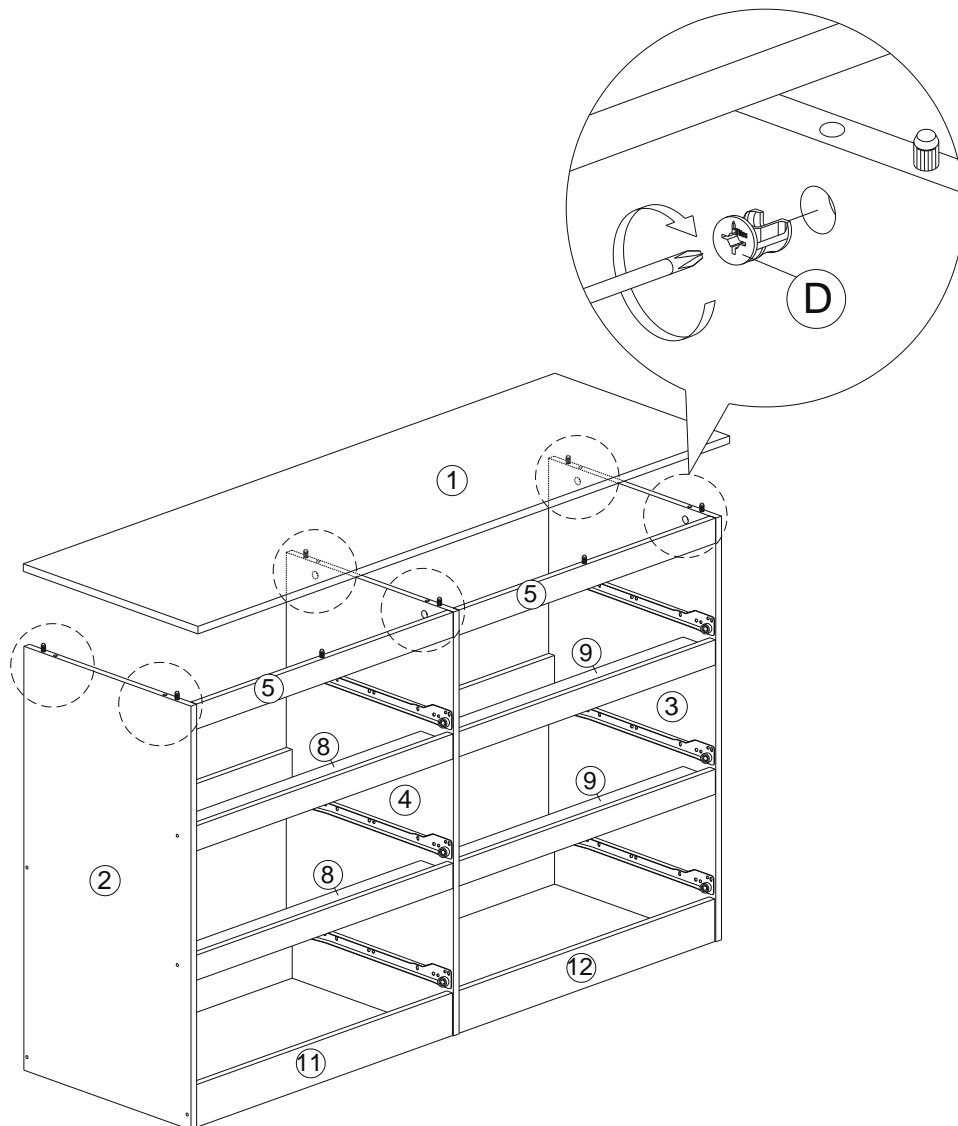
I		5/8 Nail With Pin	6Pcs
---	---	-------------------	------


Step 12

*Attach panel 1 position properly onto panel 2, 3 and 4 and align the top panel onto the PCV dowels. (As shown)

* Gently tap the panel 1 to connect panel 2, panel 3 and panel 4 firmly.

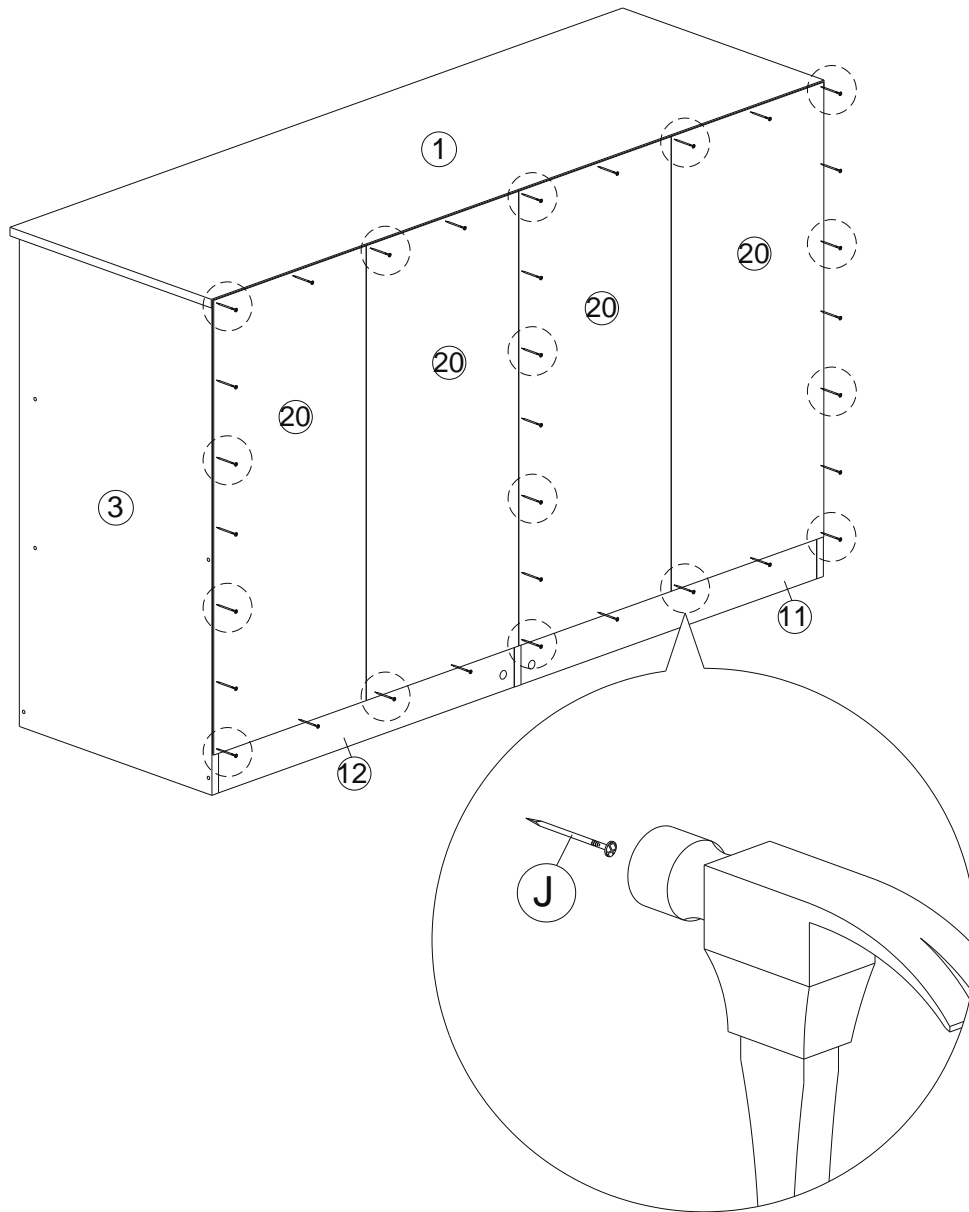
*Insert minifix (D) nuts into both sides predrilled holes of panel 2, 3 and 4, then tighten them clockwise in order to lock minifix up by going underneath panel 1.



D		Minifix	6Pcs
----------	---	---------	------

Step 13

*Fix approximately 40 pieces of nails (J) into panel 20 using a hammer.



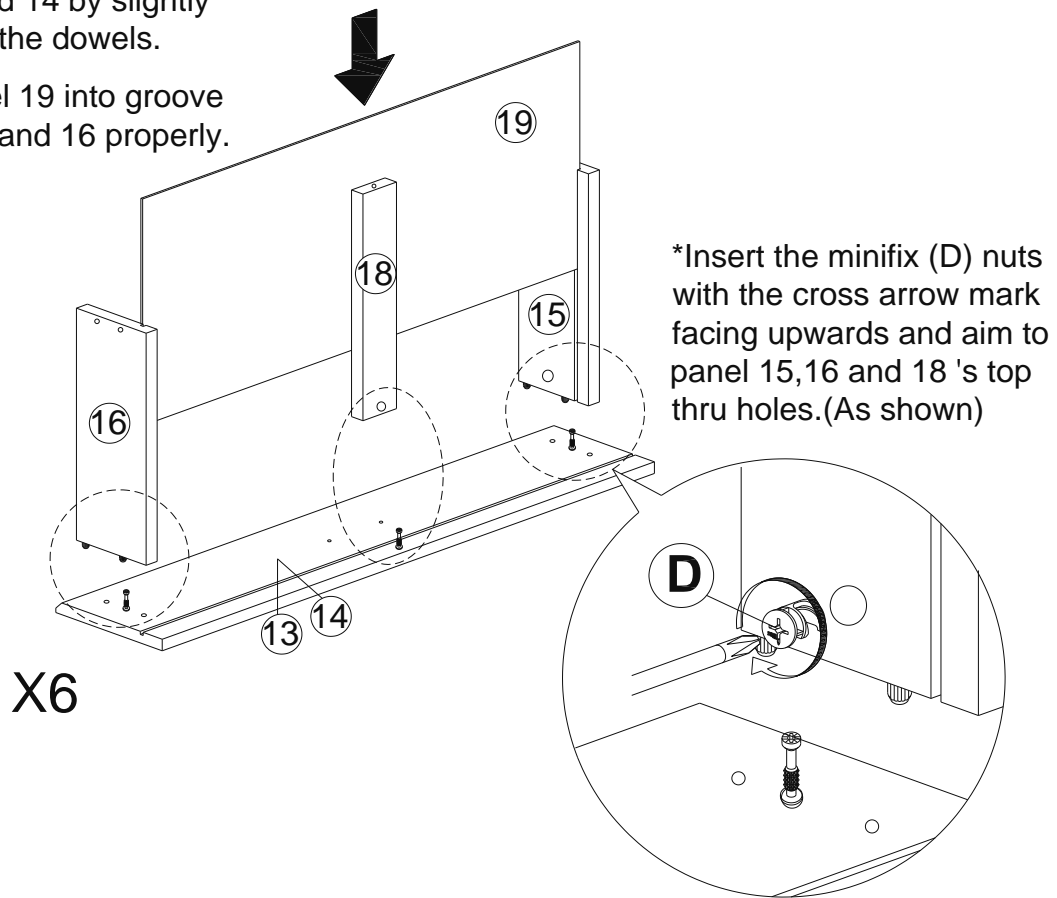
J		6/8 Power Pin	40Pcs
----------	---	---------------	-------


Step 14

Assembly Of Drawer : 6 Drawers

*Insert panel 15,16,18 onto panel 13 and 14 by slightly hammering the dowels.

*Insert panel 19 into groove of panel 15 and 16 properly.
(As shown)



D		Minifix	18Pcs
----------	---	---------	-------

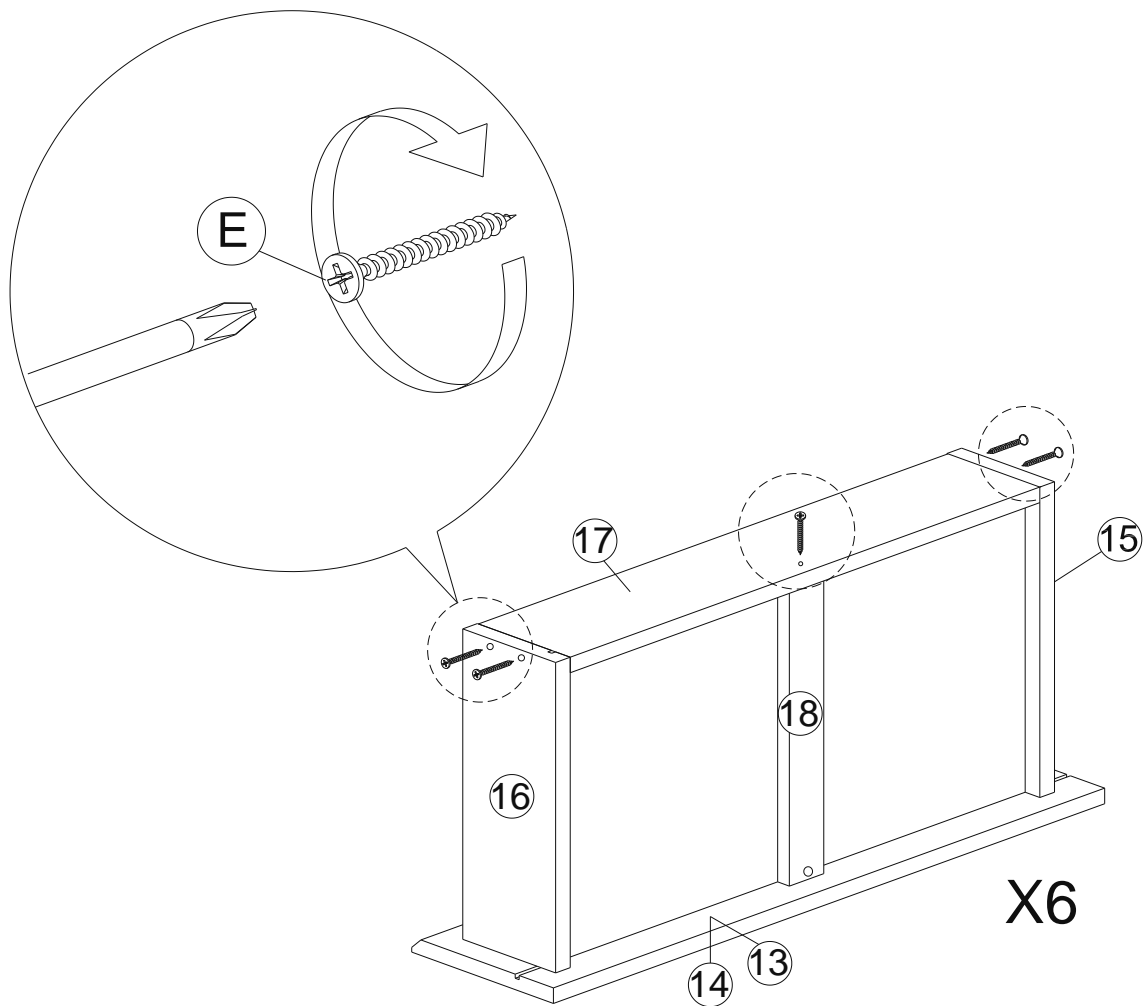
Step 15


*Place panel 17 on each side of panel 15 and 16 as shown.

*Then, tighten screws (E) to panel 15's upper thru holes to fix them onto panel 17.

*Next tighten screws (E) to panel 16's upper thru holes to fix up to the panel 17.

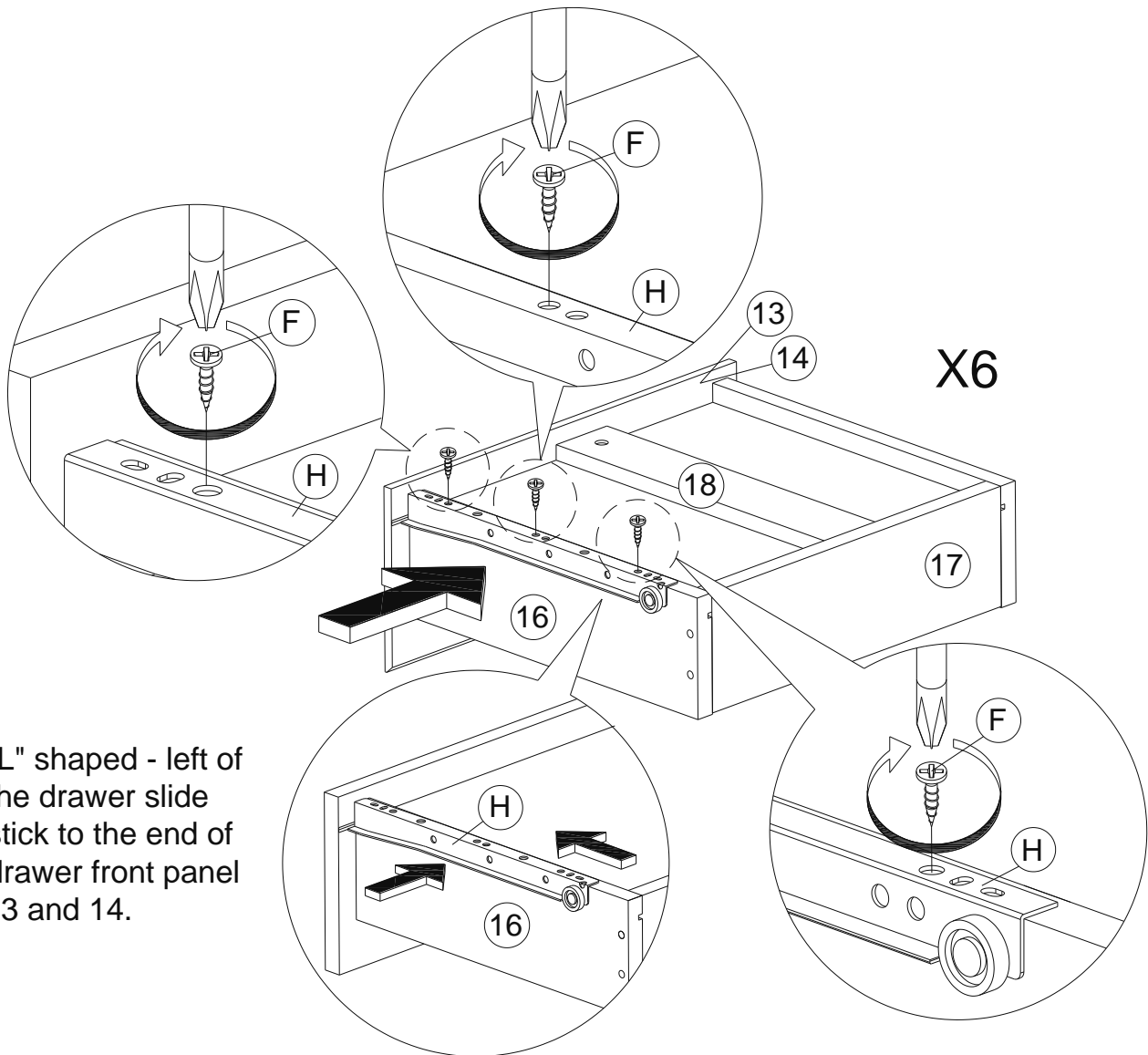
*Tighten screws (E) to panel 17's upper thru holes to fix up to the panel 18.



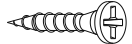

E		M4x45mm Screw	30Pcs
----------	---	---------------	-------

Step 16

Place the "L" shaped - left drawer slide (H) with the small white roller facing outwards and should be in parallel with drawer front panel 13 and 14. Then tighten 3 screws (F) on each drawer slides (H).

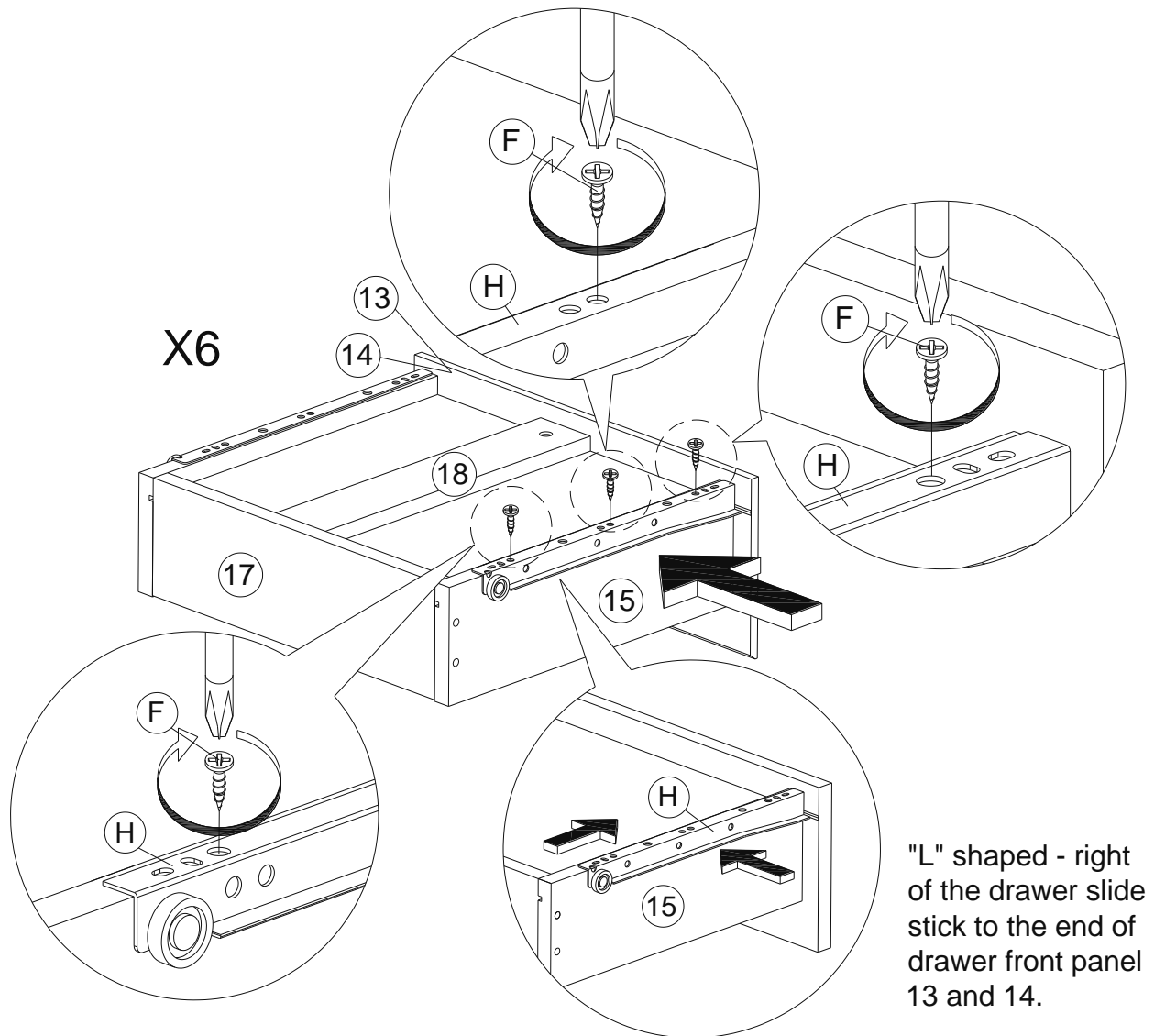


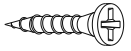

"L" shaped - left of the drawer slide stick to the end of drawer front panel 13 and 14.

F		M3.5x16mm Screw	18Pcs
H		Drawer Slide 300mm - Left	6Pcs

Step 17

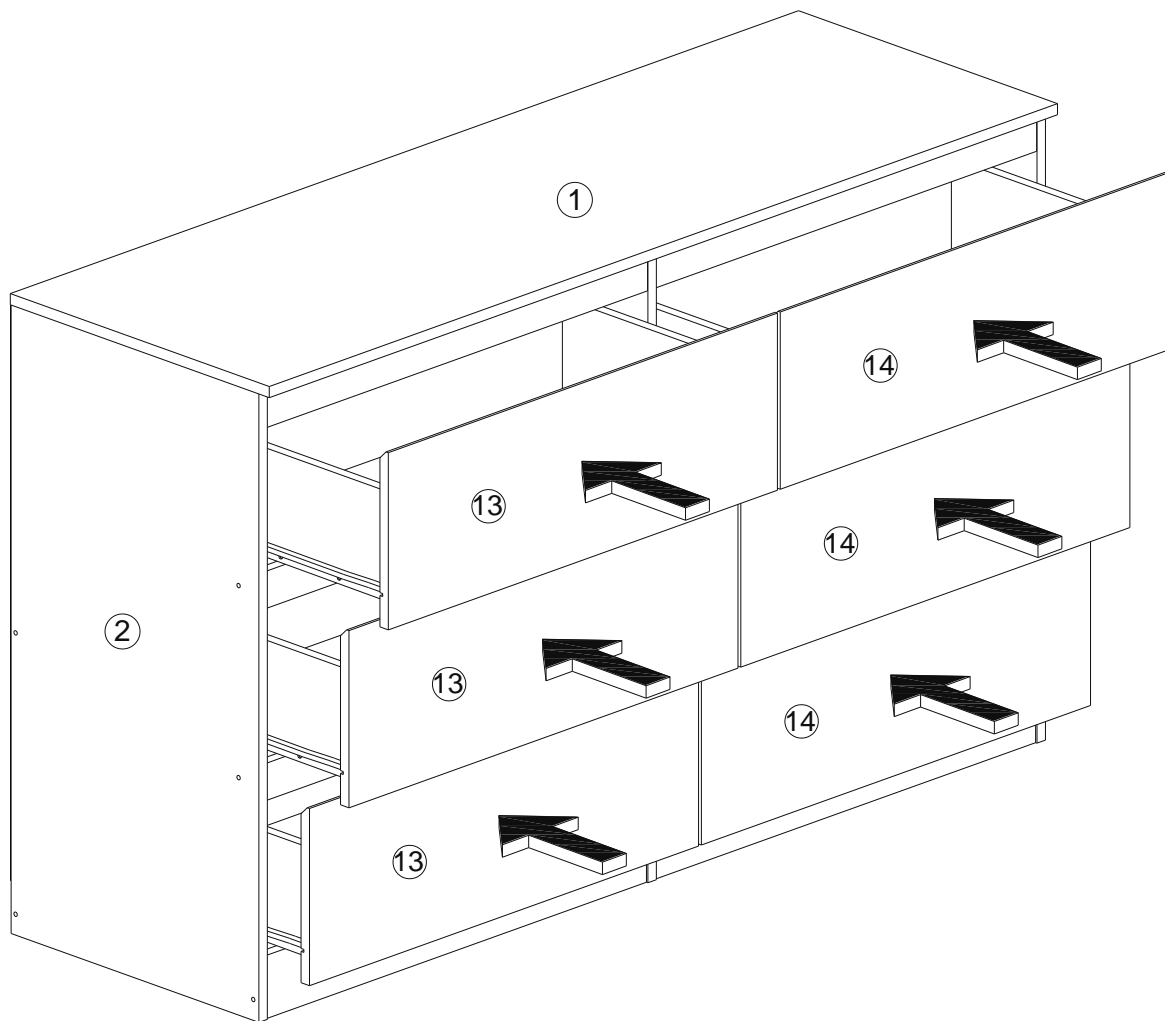
Place the "L" shaped – right drawer slide (H) with the small white roller facing outwards and should be in parallel with drawer front panel 13 and 14. Then tighten 3 screws (F) on each drawer slides (H).



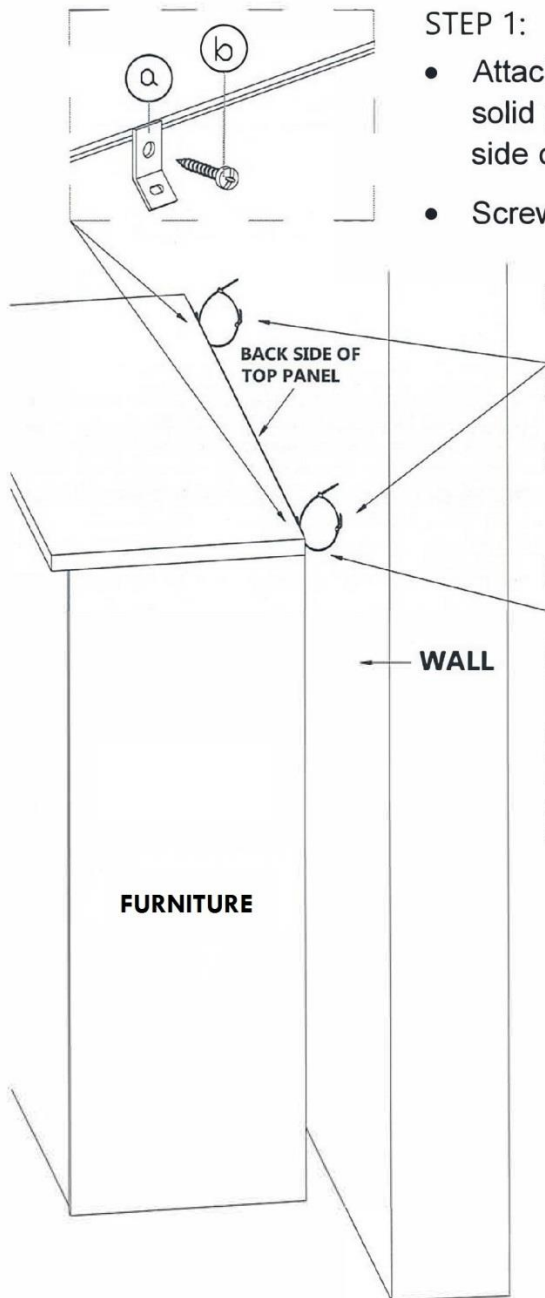
F		M3.5x16mm Screw	18Pcs
H		Drawer Slide 300mm - Right	6Pcs

Step 18

*Take all drawers, and slide them (the white rollers at drawer slide at both side of drawers are to go into the track of the slide at each side panel.) All the way gently, one drawer by one drawer starting from bottom to the top accordingly.

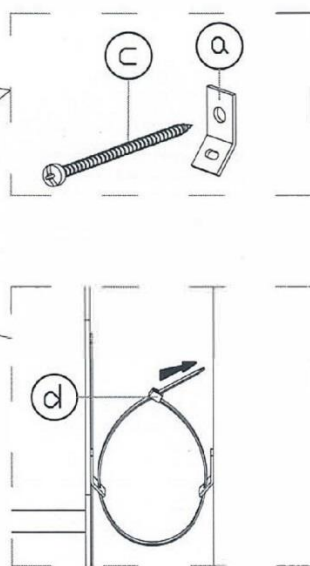


FITTING OF ANTI-TIP SAFETY STRAP



STEP 1:

- Attach the mounting bracket (a) to the furniture in the solid part below the top panel a few inches away from the side of the unit.
- Screw (b) through the smallest hole of (a).

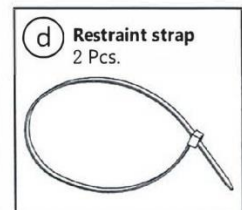
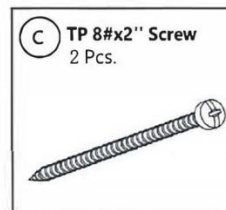
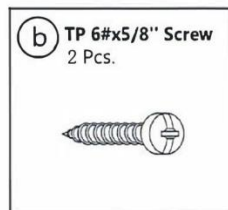
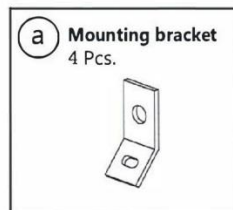


STEP 2:

- Locate a stud in behind the have to
- Place the other mounting bracket (a) on the wall stud 2 inches below the mounting bracket secured to the back of your unit.
- Attach to the wall stud using (c) through the smaller hole of (a).

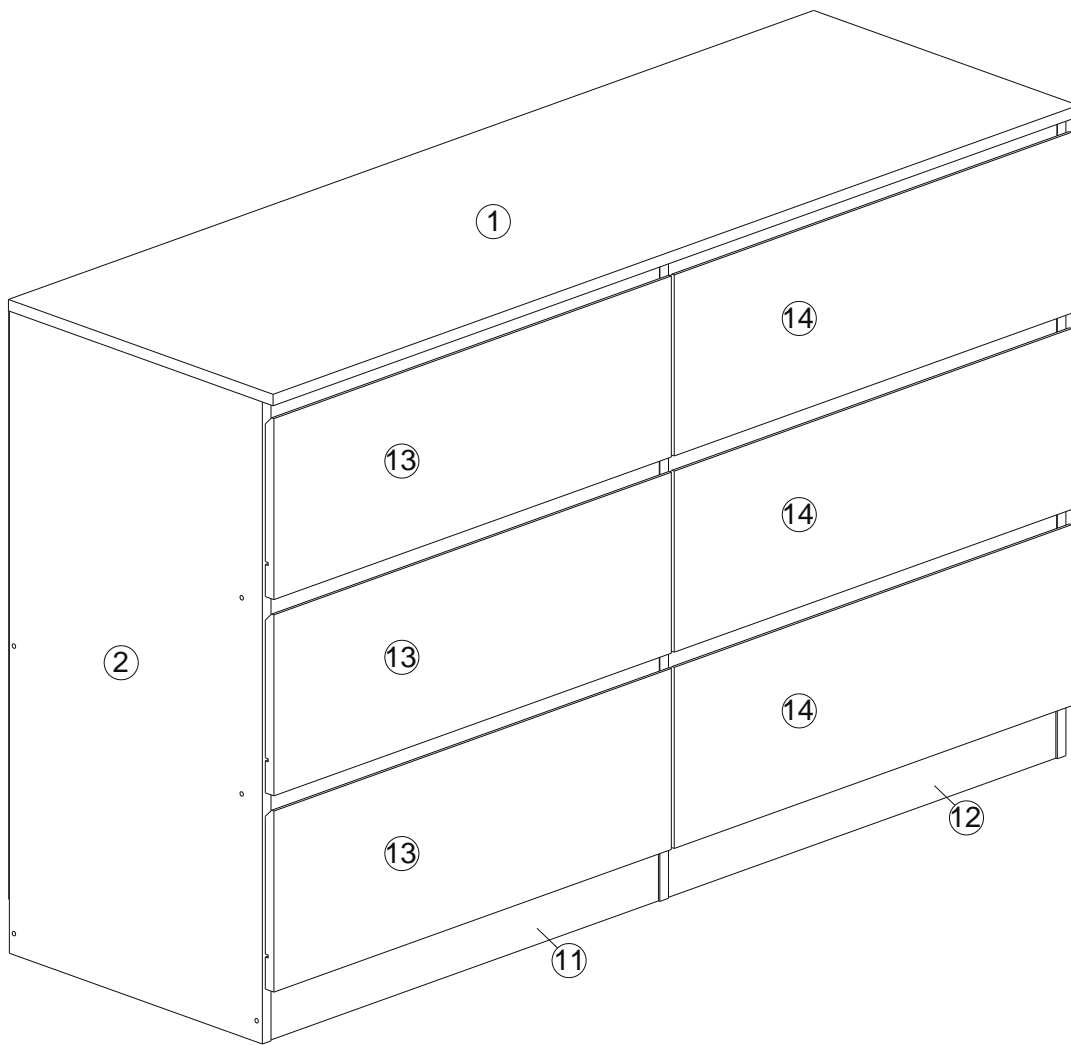
STEP 3:

- Repeat the same step a few inches away from the other side of the unit.
- Place the furniture into position so both mounting brackets are vertically in line.
- Lace the end of the restraint strap through the larger holes in each mounting bracket.
- Secure the straps and lock into place.



HODEDAH®

Job Complete...



Enjoy & Thank you for purchasing from Hodedah!

