

# Assembly Instructions

This instruction booklet contains important safety information, please read and keep for future reference.

ITEM # HI5DR-A

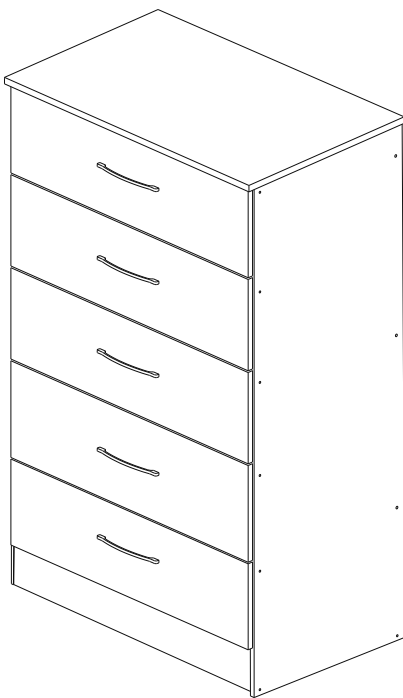
5 DRAWER CHEST

 2 people

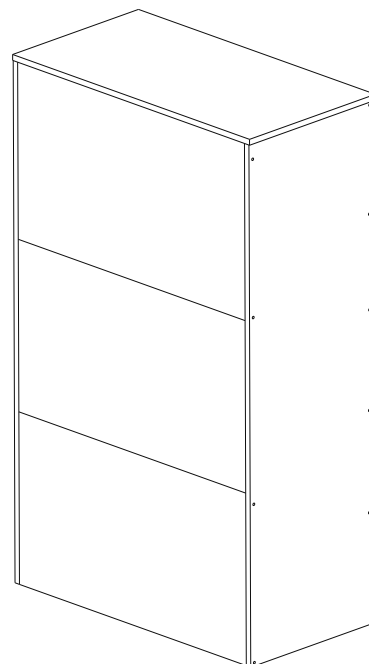
 90mins

 1 YR LTD

 1 Box



FRONT VIEW



BACK VIEW

**Product Dimensions: Height 48" x Width 31.5" x Depth 15.75"**

**Weight Capacity per drawer: 20 lbs.**



## Phone

Mon – Fri | 9:30 am to 5pm EST

**1 - 855 – HODEDAH**

**1 – 855 – 463 -3324**



## Email

Send us an email

**Support@Hodedah.com**



## Website

Visit our website to open a case

**www.Hodedah.com**

## Questions, need parts, we are here to help!

**FOR PROMPT, RELIABLE SERVICE PLEASE HAVE YOUR INSTRUCTION MANUAL READY**



## DO NOT RETURN PRODUCT TO THE STORE

If parts are missing or damaged please contact our customer service team and we will gladly ship your replacement parts **FREE** of charge within **ONE YEAR** of purchase!

## WARRANTY

Hodedah warrants this product to be free from defects in materials and workmanship and agrees to remedy any such defect. This warranty covers one year from the date of original purchase. This is solely limited to replacement of defective parts and no assembly for labor is included. This warranty does not apply to any product that has been improperly assembled, subjected to misuse, abuse or which has been altered or repaired in any way. To obtain warranty service, original purchaser must present the following; original bill of sale, date of purchase, where the product was purchased and images if applicable. Components replaced warranted through the remainder of the original warranty only. The defective part will be replaced without charge, subject to the terms and conditions described above.

## WARNING

- This product contains small parts, keep away from children.
- This product contains plastic bags, keep away from children.
- Serious or fatal crushing injuries can occur from furniture tip-over. To help prevent this, place heaviest items on the lower shelves and drawers. Do not set heavy objects on top shelves and drawers.
- Never allow children to climb or hang on drawers, shelves and doors.

# HODEDAH®

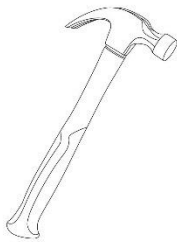
- Never open more than one drawer at a time.
- The use of tip-over restraints may reduce but not eliminate the risk of tip-over.

## Let's get started...

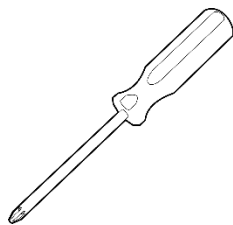
### Helpful hints, read before beginning assembly

- Make sure you receive all boxes. If your item is packed in one box, box count will read 1 of 1, likewise if your item is packed in two boxes, box count will read 1 of 2 and second box will read 2 of 2.
- Read each step carefully. It is very important that each step is performed in the correct order. If these steps are not followed in sequence, assembly difficulties will occur.
- Work in a spacious level area, preferably carpet, near the place the unit will be used.
- **DO NO USE** power tools to assemble your furniture, it will strip and damage parts.
- Your package should include the following hardware and parts. Parts are labeled or stamped on the raw edge. Please inspect contents to ensure you have received all components. **If you are missing any hardware or parts please contact customer service right away before assembly.**

## Assembly Tools Required(not supplied)



Hammer



Phillips Screwdriver



Tape Measure



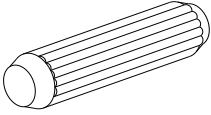
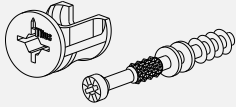

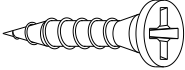
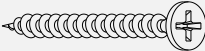

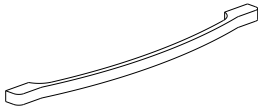
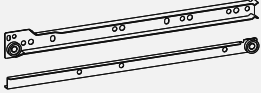
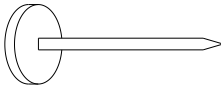
No Power Tools Needed

---

## Product Care and Maintenance

- Wipe clean with dry soft cloth, never use chemicals or cleaning products that will damage the finish.
- Avoid placing your furniture in direct sunlight, as sunlight causes fading.
- Never push, drag or pull your furniture, to move to a new location carefully with two or more people carry the unit to its new location.
- Avoid extreme changes in temperature by arranging furniture away from radiators, heat and air vents and air conditioning units.

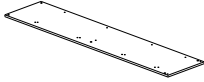

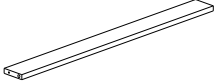
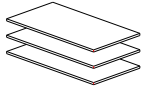

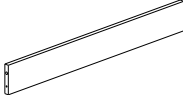
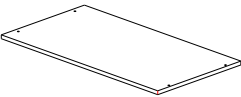
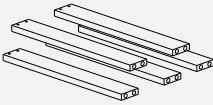
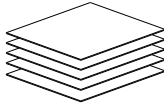
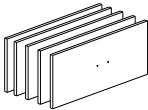
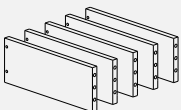
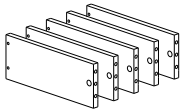
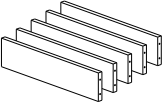
# Hardware List

<p><b>A</b> PVC Dowel</p> 	<p><b>QTY</b> <b>48Pcs</b></p> <input data-bbox="480 432 563 506" type="checkbox"/>	<p><b>B</b> Minifix</p> 	<p><b>QTY</b> <b>19Sets</b></p> <input data-bbox="943 432 1026 506" type="checkbox"/>	<p><b>C</b> Screw M4x45mm</p> 	<p><b>QTY</b> <b>45Pcs</b></p> <input data-bbox="1373 432 1456 506" type="checkbox"/>
<p><b>D</b> Screw M3.5x16mm</p> 	<p><b>60Pcs</b></p> <input data-bbox="480 684 563 758" type="checkbox"/>	<p><b>E</b> Screw M4x25mm</p> 	<p><b>10Pcs</b></p> <input data-bbox="951 699 1034 772" type="checkbox"/>	<p><b>F</b> Sticker</p> 	<p><b>20Pcs</b></p> <input data-bbox="1373 684 1456 758" type="checkbox"/>
<p><b>G</b> Handle (160mm)</p> 	<p><b>5Pcs</b></p> <input data-bbox="480 963 563 1037" type="checkbox"/>	<p><b>H</b> Drawer Slide (300mm)</p> 	<p><b>5Sets</b></p> <input data-bbox="951 963 1034 1037" type="checkbox"/>	<p><b>I</b> Leg</p> 	<p><b>4Pcs</b></p> <input data-bbox="1373 963 1456 1037" type="checkbox"/>

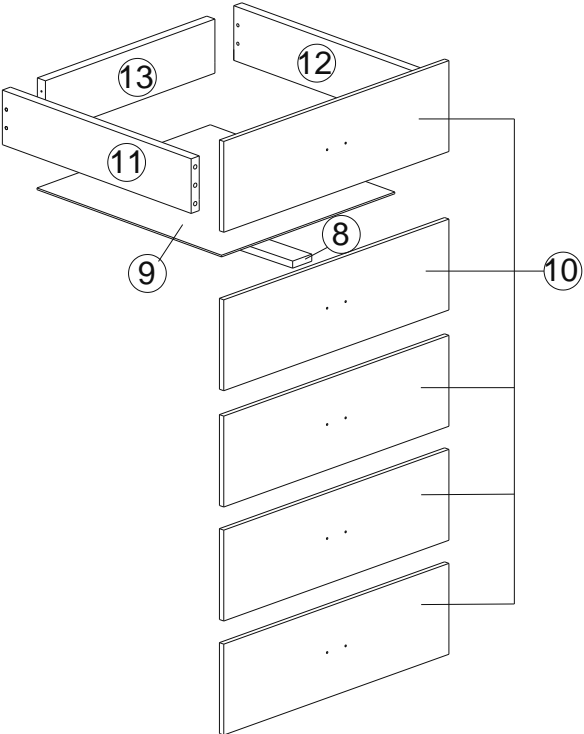
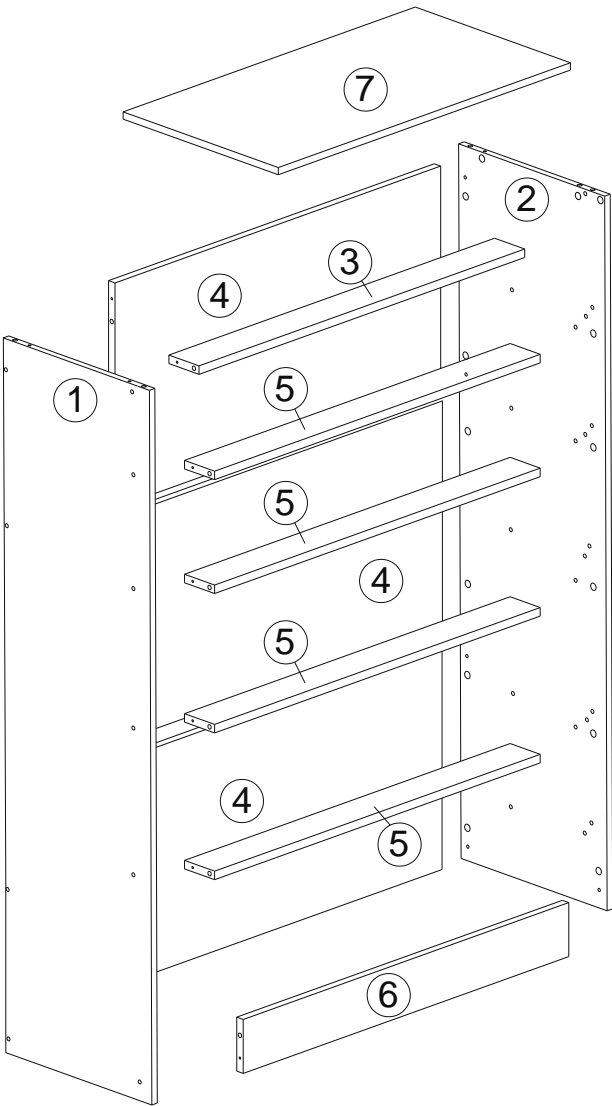
## Important

1. Before you throw the package, please use the Check Box to identify the parts and hardware to ensure that you have everything you need.
2. Check and measure the bolts before applying them to parts.
3. Do not completely tighten all hardware until the entire assembly is complete, unless indicated otherwise.

## Parts List

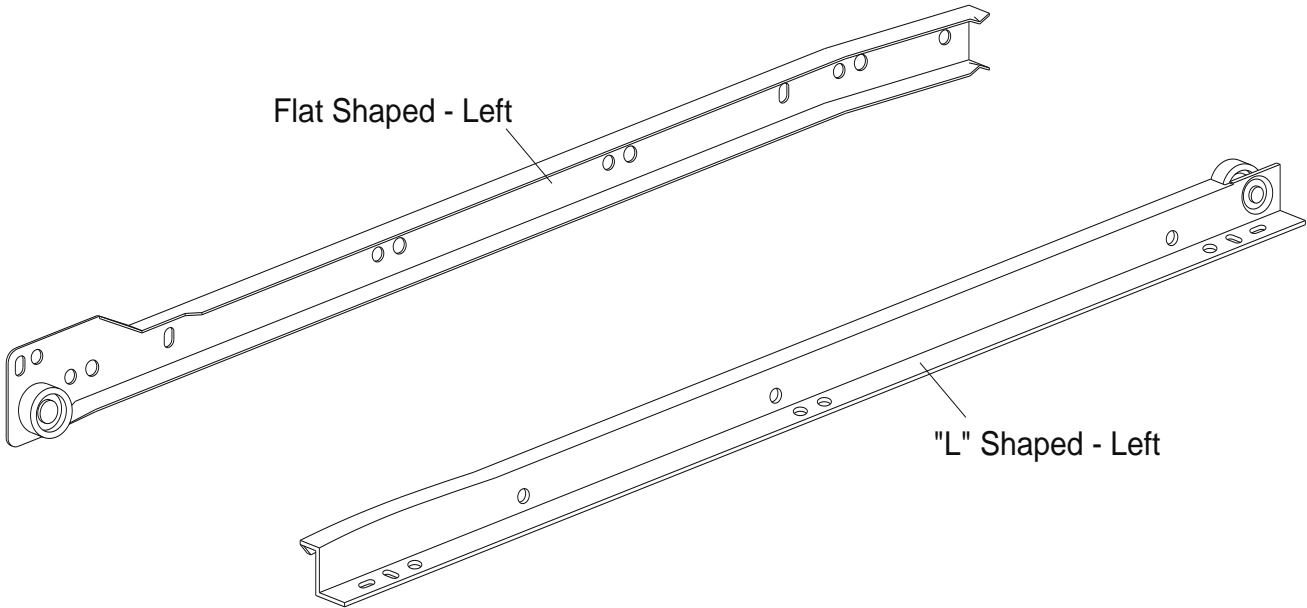
<p><b>1</b> Left Side Panel 1200x380x15mm</p> 	<p><b>QTY</b> <b>1Pc</b></p> <input data-bbox="444 436 526 508" type="checkbox"/>	<p><b>2</b> Right Side Panel 1200x380x15mm</p> 	<p><b>QTY</b> <b>1Pc</b></p> <input data-bbox="922 436 1003 508" type="checkbox"/>	<p><b>3</b> Top Strengthening LVL Panel 758x65x16mm</p> 	<p><b>QTY</b> <b>1Pc</b></p> <input data-bbox="1419 436 1500 508" type="checkbox"/>
<p><b>4</b> Back Panel 758x396x15mm</p> 	<p><b>3Pcs</b></p> <input data-bbox="444 701 526 772" type="checkbox"/>	<p><b>5</b> Front Strengthening Panel 758x70x15mm</p> 	<p><b>4Pcs</b></p> <input data-bbox="922 701 1003 772" type="checkbox"/>	<p><b>6</b> Kick Panel (Front) 758x95x15mm</p> 	<p><b>1Pc</b></p> <input data-bbox="1419 701 1500 772" type="checkbox"/>
<p><b>7</b> Top Panel 800x400x15mm</p> 	<p><b>1Pc</b></p> <input data-bbox="444 974 526 1045" type="checkbox"/>	<p><b>8</b> Drawer Support Panel 335x50x15mm</p> 	<p><b>5Pcs</b></p> <input data-bbox="922 974 1003 1045" type="checkbox"/>	<p><b>9</b> Drawer Base Panel 710x344x2.5mm</p> 	<p><b>5Pcs</b></p> <input data-bbox="1419 974 1500 1045" type="checkbox"/>
<p><b>10</b> Drawer Front Panel 778x217x15mm</p> 	<p><b>5Pcs</b></p> <input data-bbox="444 1255 526 1327" type="checkbox"/>	<p><b>11</b> Drawer - Left Side Panel 350x116x15mm</p> 	<p><b>5Pcs</b></p> <input data-bbox="922 1234 1003 1306" type="checkbox"/>	<p><b>12</b> Drawer - Right Side Panel 350x116x15mm</p> 	<p><b>5Pcs</b></p> <input data-bbox="1419 1247 1500 1318" type="checkbox"/>
<p><b>13</b> Drawer End Panel 701x116x15mm</p> 	<p><b>5Pcs</b></p> <input data-bbox="444 1541 526 1612" type="checkbox"/>				

# The Breakdown...

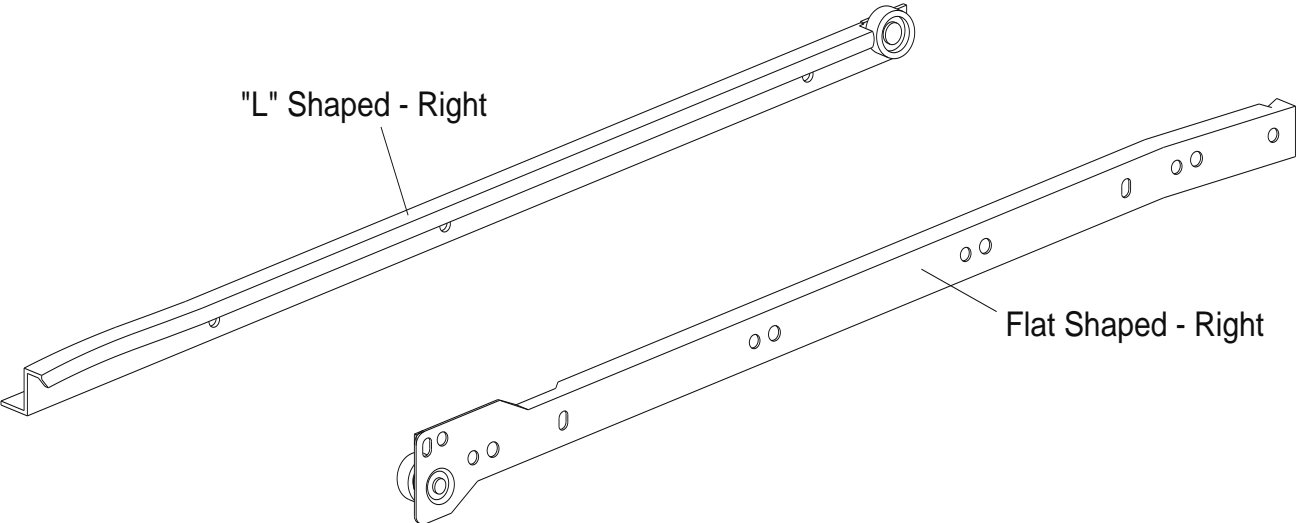


In hardware list, you will find five bundles of drawer slide (H), here you need to differentiate left and right as shown in picture below.

## Left Drawer Slide(H)



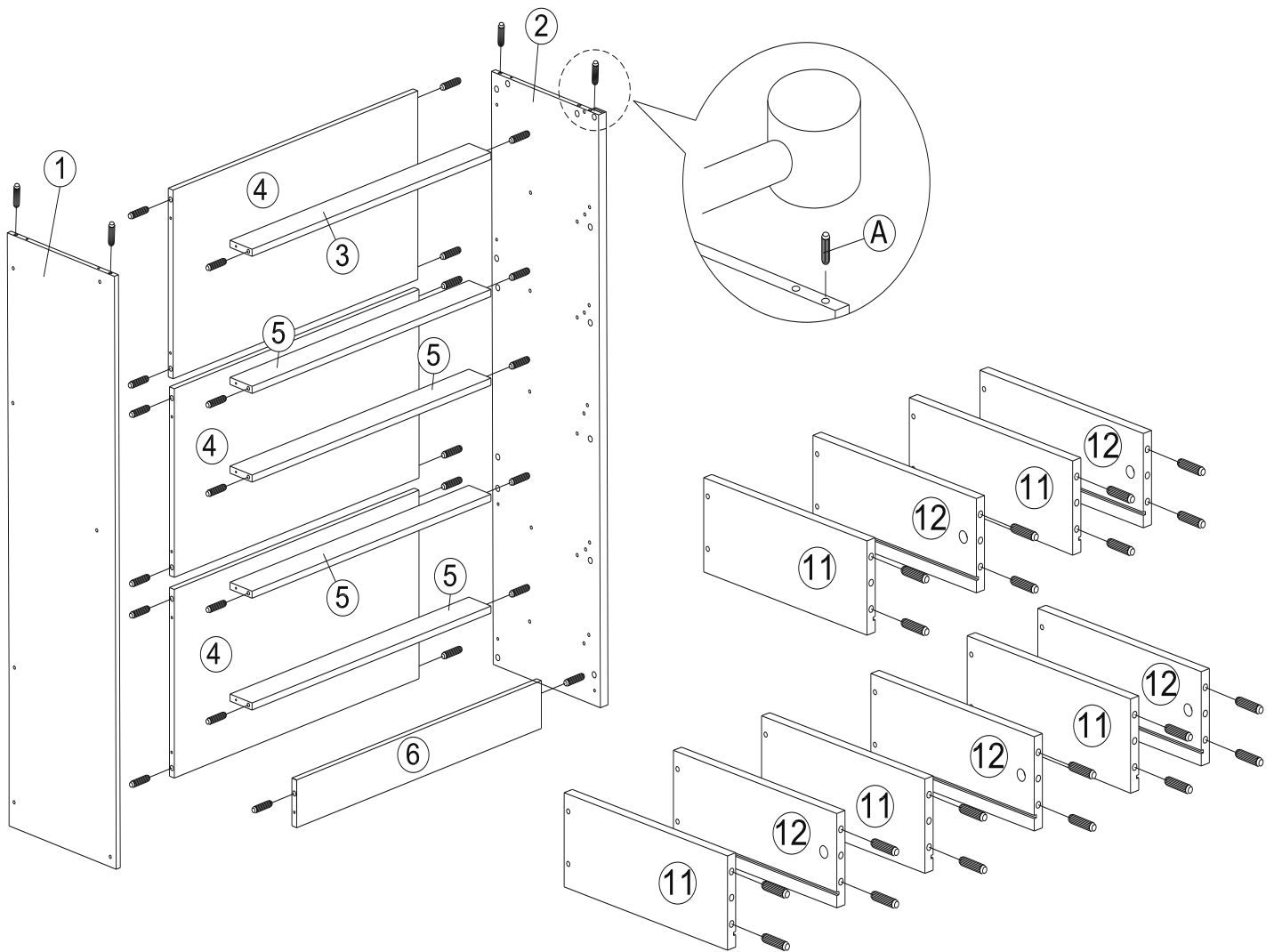
## Right Drawer Slide(H)



## Step 1

Insert PVC dowel (A) to Panel 1, 2, 3, 4, 5, 6, 11 and 12's non-thru holes as shown, using hammer to gently tap them in.

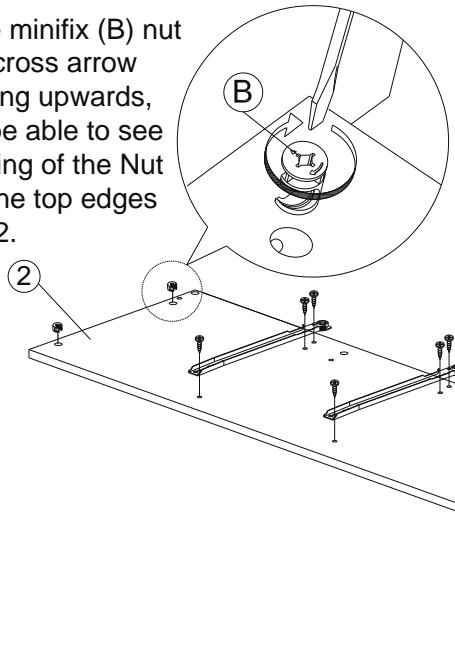
Non-thru holes (are small indents in the wood that show you where the screws should be.)



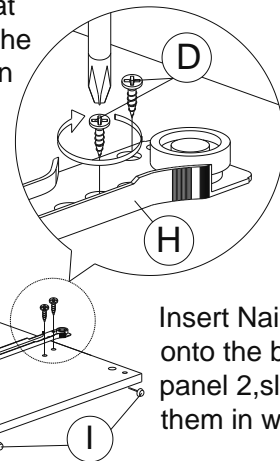


## Step 2

Insert the minifix (B) nut with the cross arrow mark facing upwards, you will be able to see the opening of the Nut (B) thru the top edges of panel 2.

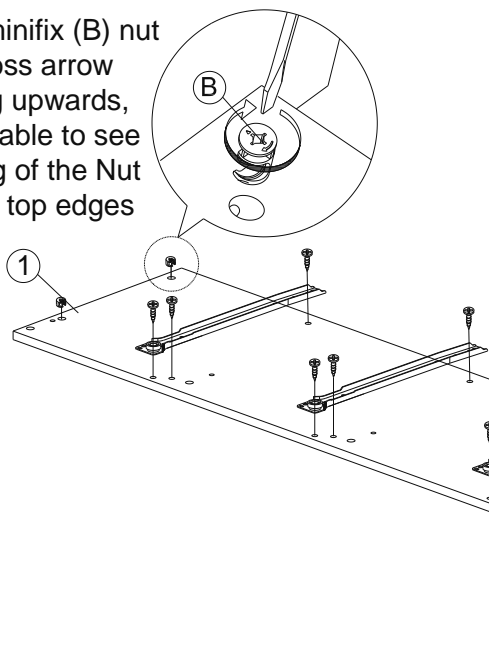


Place the flat shaped - right of the drawer slide (H) at the predrilled holes on the panel 2 as shown . Then tighten the drawer slide (H) with 3 screws (D).

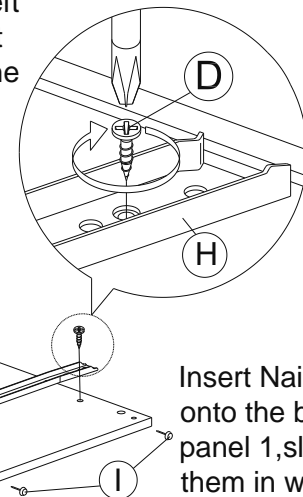


Insert Nail (I) protection onto the bottom edge of panel 2,slightly tapping them in with a hammer.

Insert the minifix (B) nut with the cross arrow mark facing upwards, you will be able to see the opening of the Nut (B) thru the top edges of panel 1.



Place the flat shaped - left of the drawer slide (H) at the predrilled holes on the panel 1 as shown. Then tighten the drawer slide (H) with 3 screws (D).



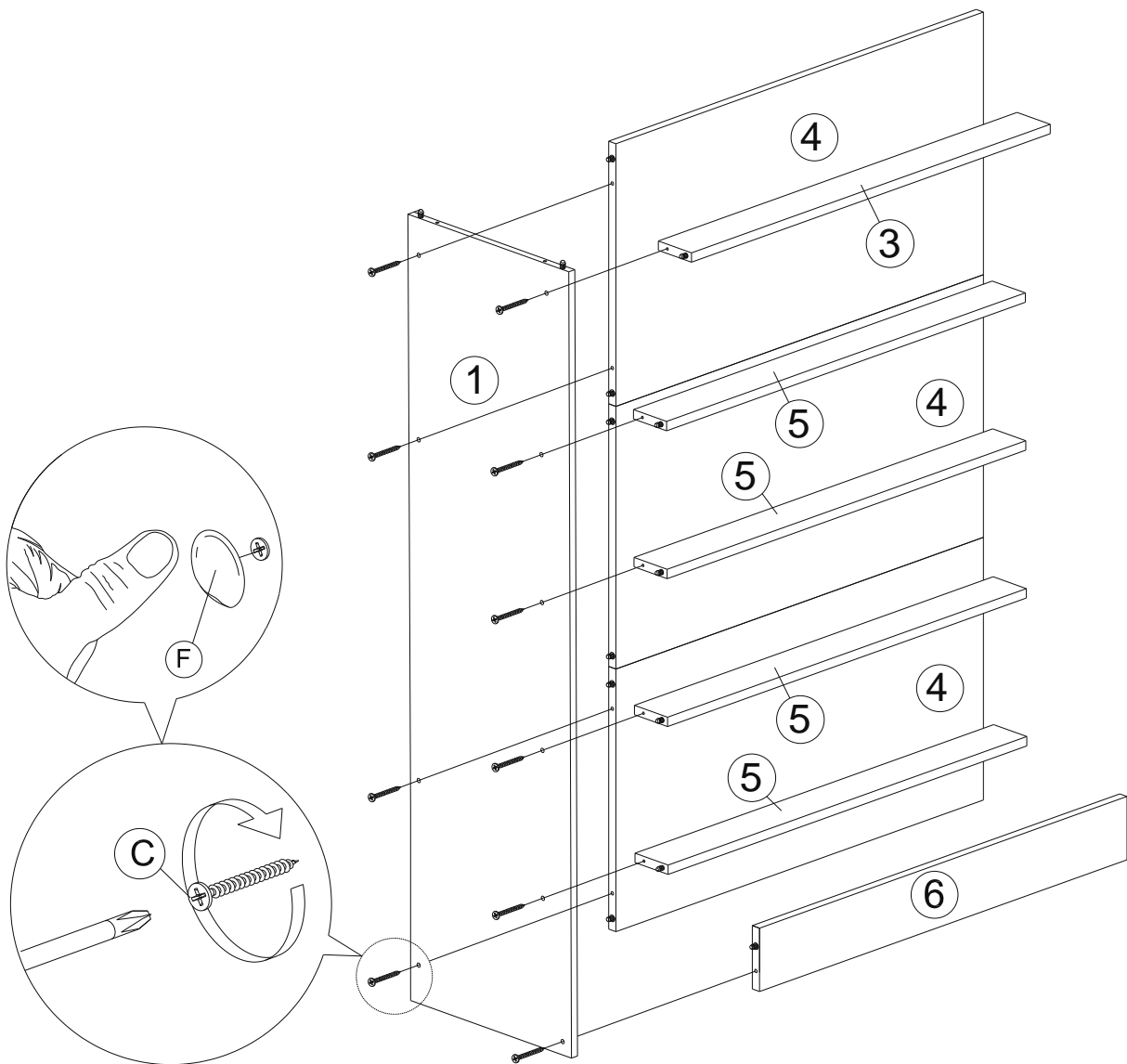
Insert Nail (I) protection onto the bottom edge of panel 1,slightly tapping them in with a hammer .

## Step 3

\*Place and fix panel 3, 4, 5 and 6 onto panel 1 by inserting the (Left) dowels onto the non-thru holes at panel 1 by slightly tapping them in with hammer.

\*Insert and fasten screws (C) (Using predrilled holes on panel 1) into the panel 3, 4, 5 and 6 by using screwdriver.

\*Cover all the screws (C)' head with sticker (F) provided by stick up onto hole of screw (C)' heads one by one.

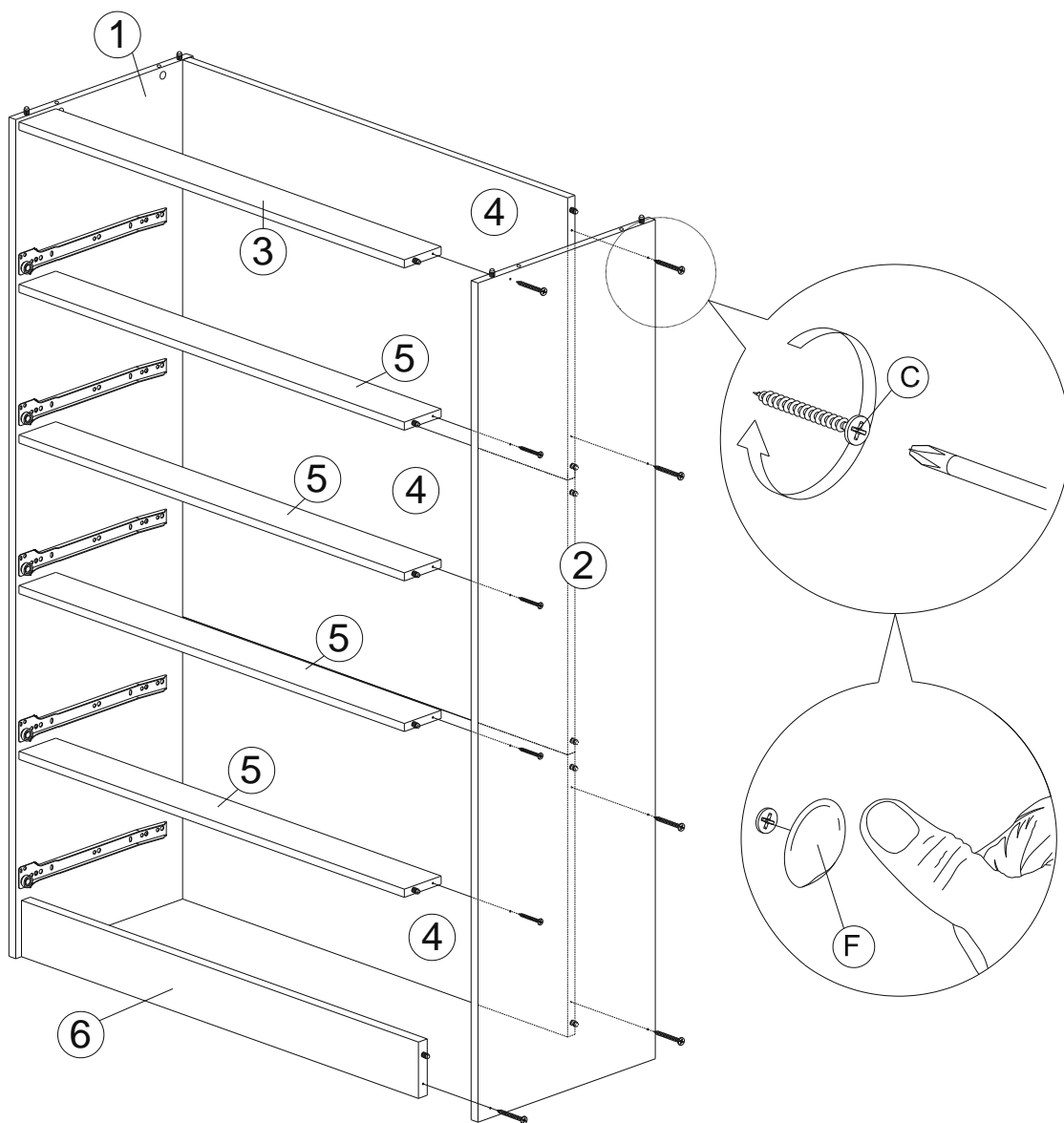


## Step 4

\*Place and fix panel 3, 4, 5 and 6 onto panel 2 by inserting the (Right) dowels onto the non-thru holes at panel 2, then slightly hammer all in from outside of panel 2.

\*Fasten screws (C) from the outside of panel 2 by using the predrilled holes to attach panel 3, 4, 5 and 6.

\*Cover all the screws (C)' head with sticker (F) provided by stick up onto hole of screw (C)' heads one by one.



## Step 5

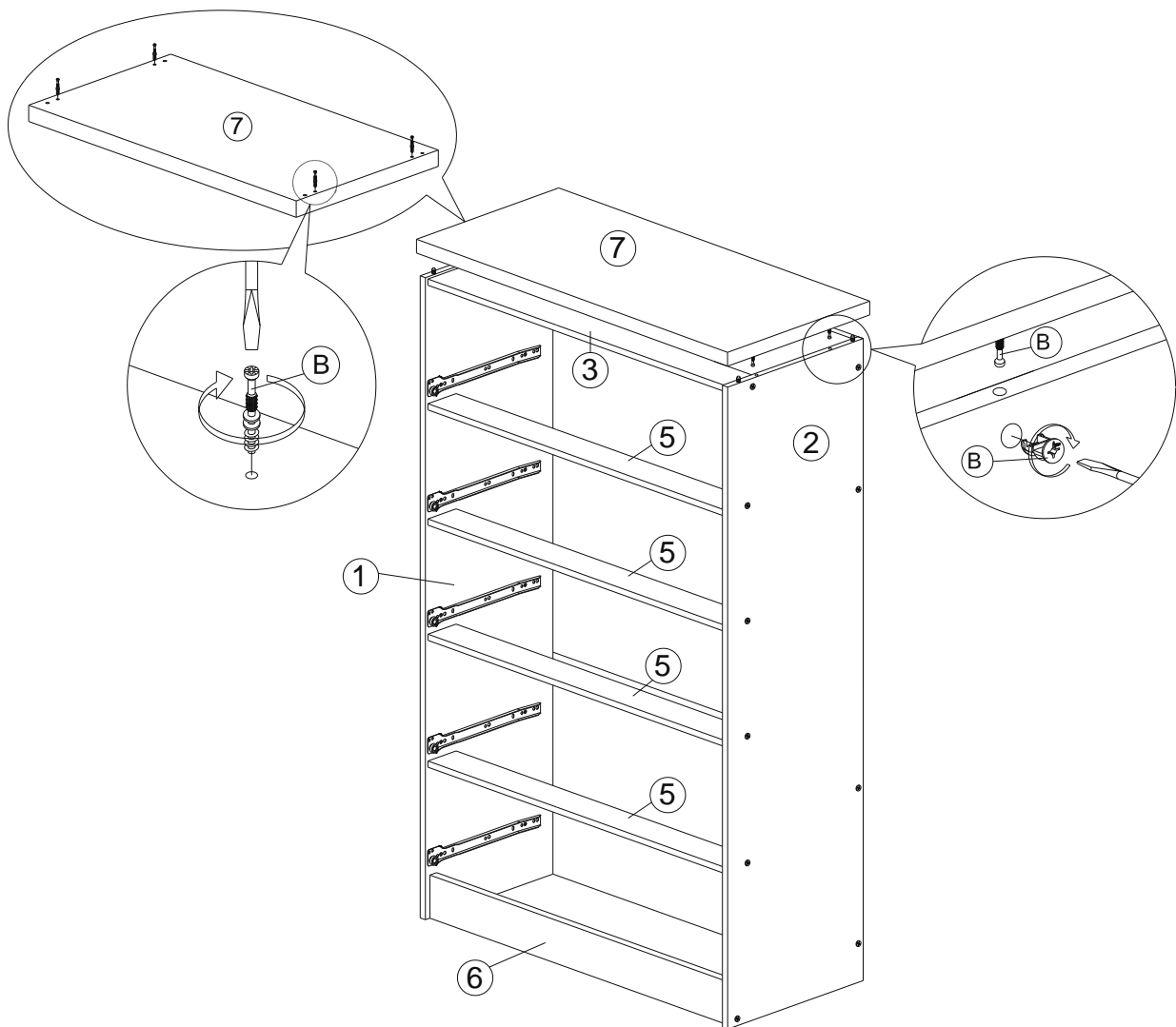
\*First prepare panel 7.

\*Place minifix (B) long piece onto the holes of panel 7. (You will use 4 pcs)

\*Fix panel 7 onto panel 1 and 2 align properly by inserting the 4 dowels of panel 1 and 2 onto the non-thru holes of panel 7. (Slightly hammer it in)

\*Gently tap the panel 7 to connect panel 1 and panel 2 firmly.

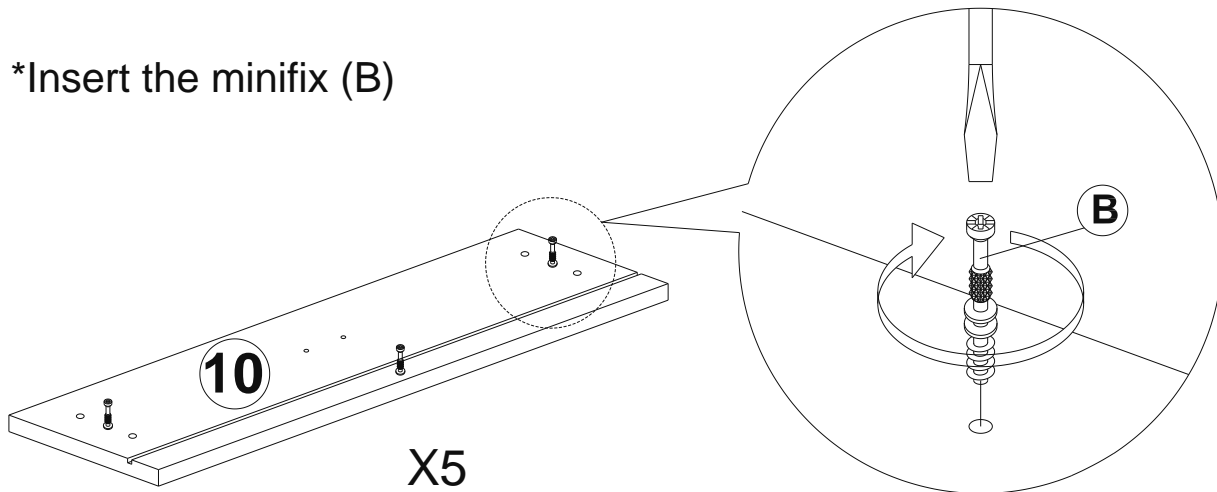
\*Tighten minifix (B) clockwise to lock minifix up by going under panel 7 and tighten it upon both sides and middle pieces (Panel 1, 2, and 3).



## Step 6

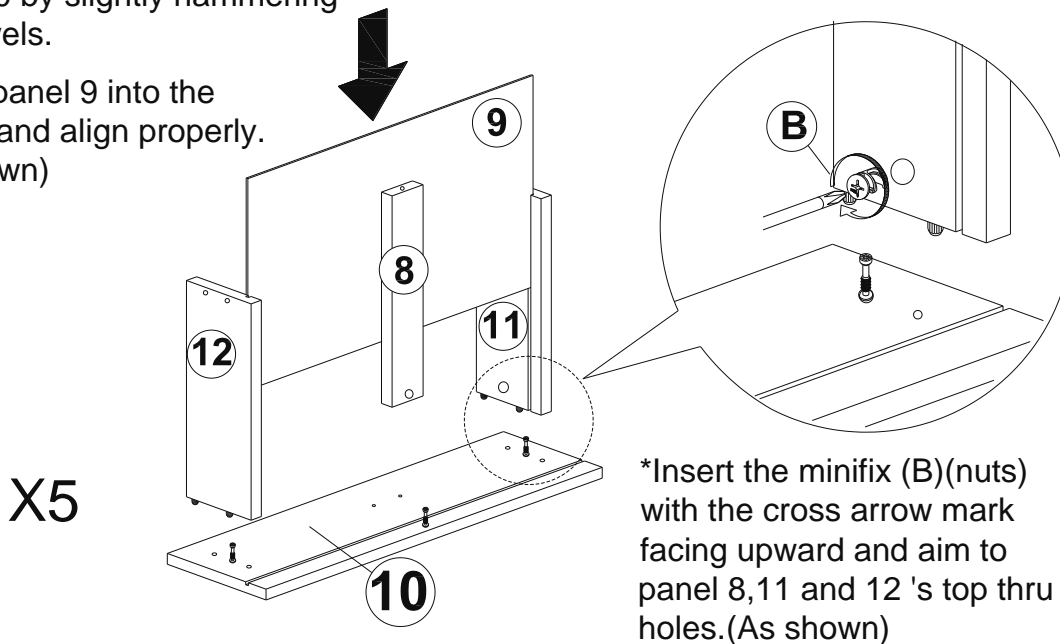
### Assembly Of Drawer : 5 Drawers

\*Insert the minifix (B)



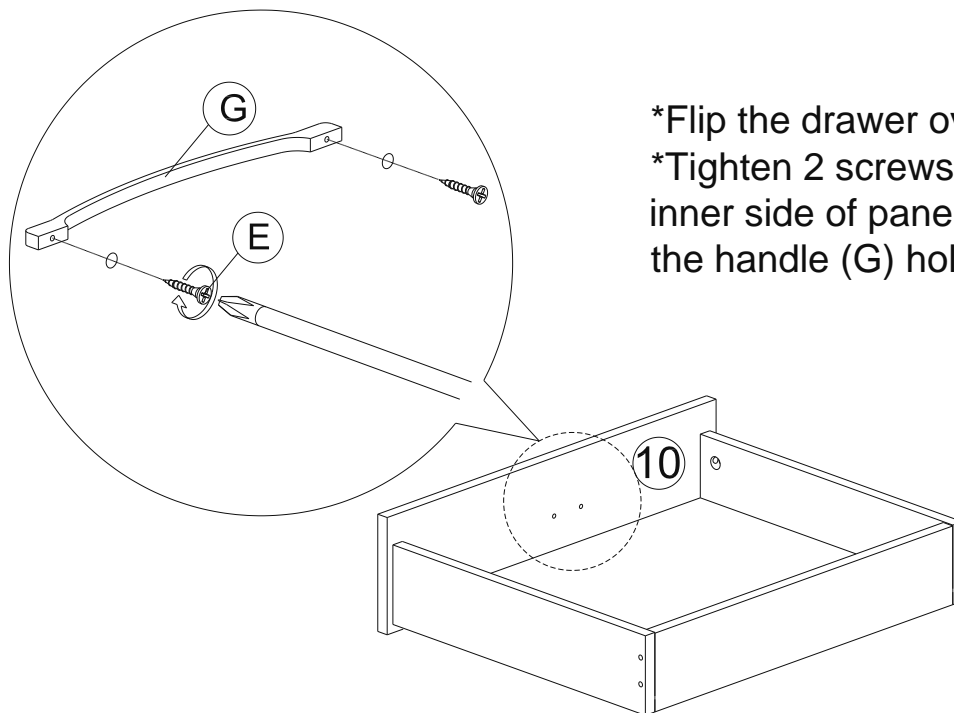
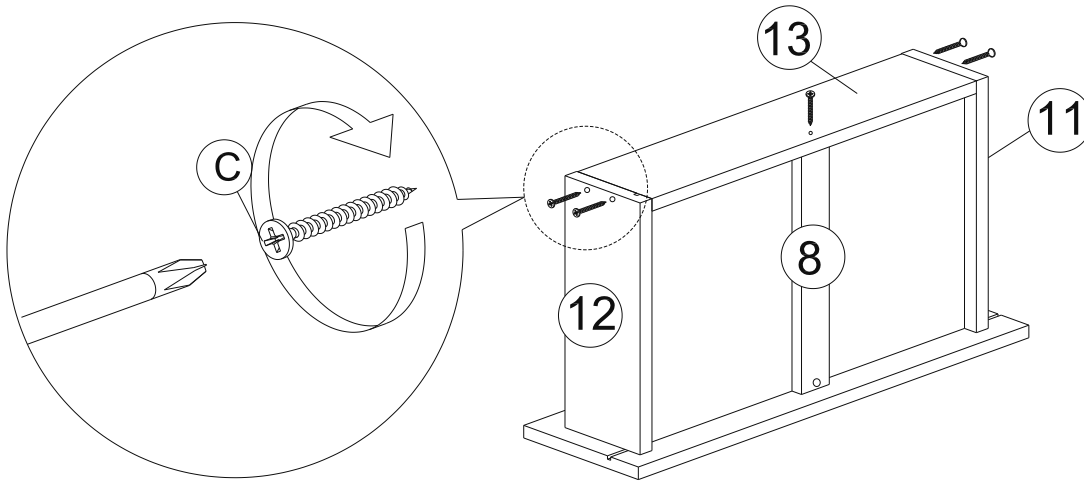
\*Insert panel 8,11,12 onto panel 10 by slightly hammering the dowels.

\*Insert panel 9 into the drawer and align properly. (As shown)



\*Insert the minifix (B)(nuts) with the cross arrow mark facing upward and aim to panel 8,11 and 12 's top thru holes.(As shown)

- \*Place panel 13 on each side of panel 11 and 12 as shown.
- \*Then, tighten screws (C) to panel 11 's upper thru holes to fix them onto panel 13.
- \*Next tighten screws (C) to panel 12 's upper thru holes to fix up to the panel 13.
- \*Tighten screws (C) to panel 13 's upper thru holes to fix up to the panel 8.

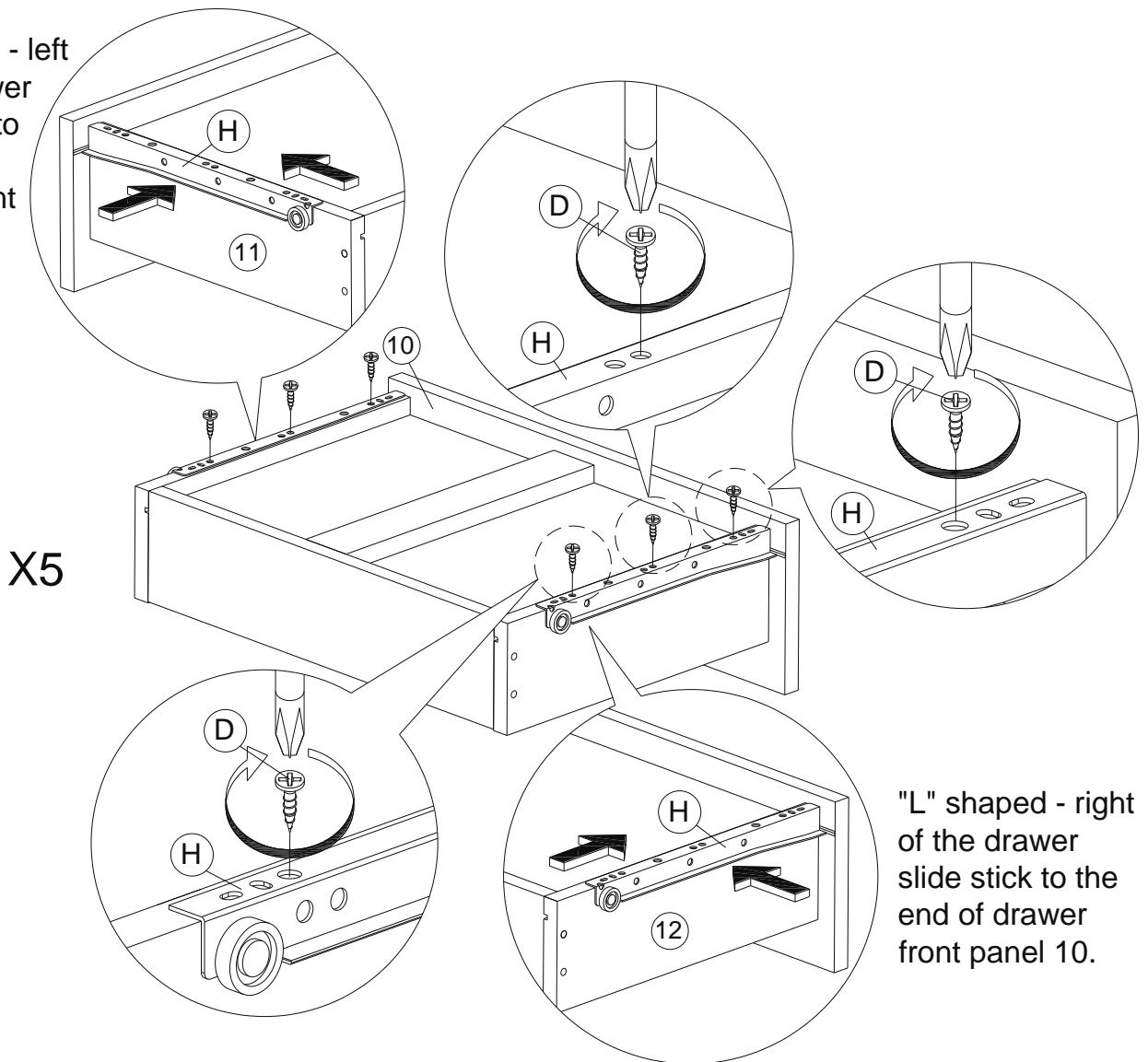


- \*Flip the drawer over.
- \*Tighten 2 screws (E) from inner side of panel 10 into the handle (G) holes.

# HODEDAH®

Place the "L" shaped drawer slide (H) with the small white roller facing outward and should be in parallel with drawer front panel 10. Then tighten 3 screws (D) on each drawer slide (H).

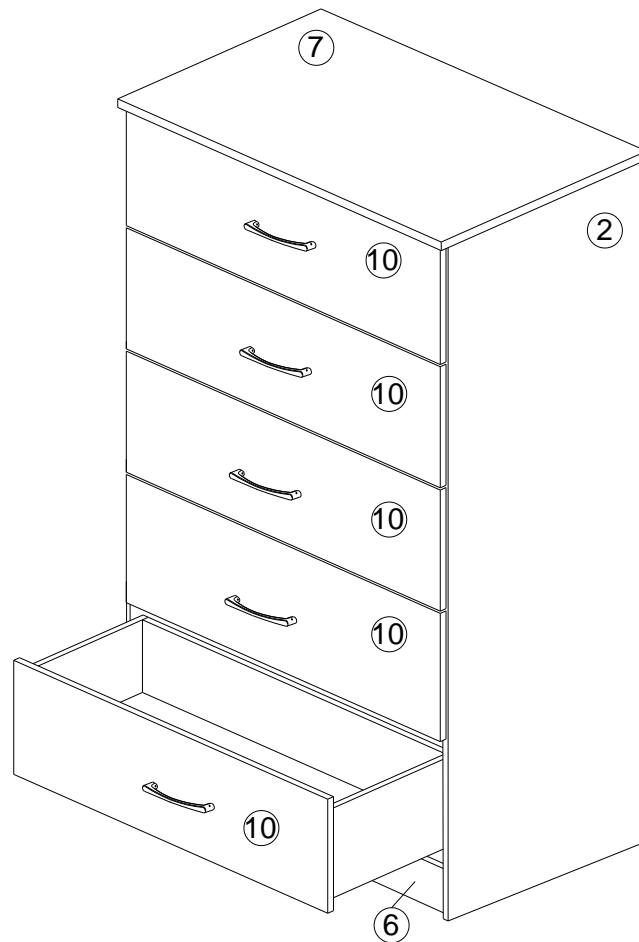
"L" shaped - left  
of the drawer  
slide stick to  
the end of  
drawer front  
panel 10.



"L" shaped - right  
of the drawer  
slide stick to  
the end of  
drawer front  
panel 10.

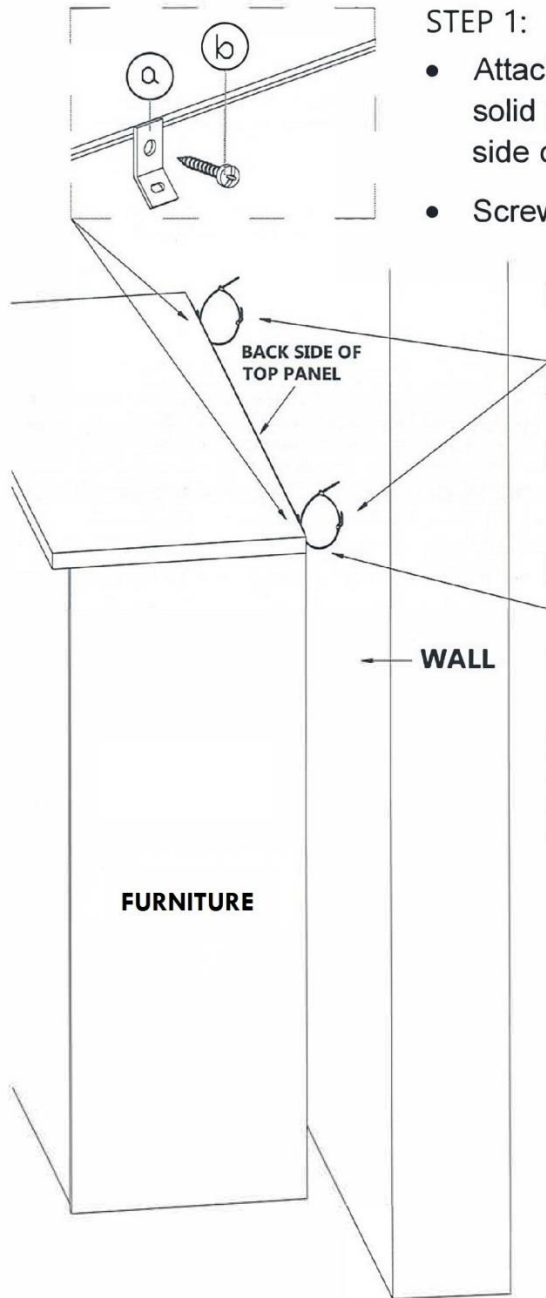
## Step 7

\*Take all drawers, and slide them (the white rollers at drawer slide at both side of drawers are to go into the track of the slide at each side panel.) All the way gently, one drawer by one drawer starting from bottom to the top accordingly.



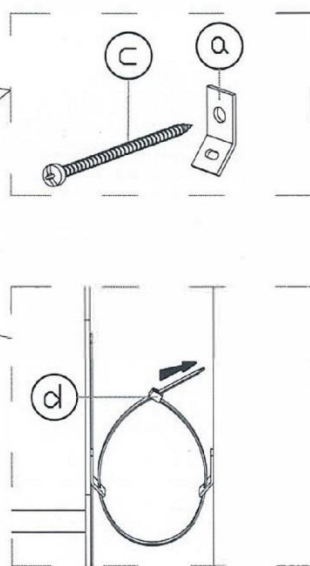


## FITTING OF ANTI-TIP SAFETY STRAP



### STEP 1:

- Attach the mounting bracket (a) to the furniture in the solid part below the top panel a few inches away from the side of the unit.
- Screw (b) through the smallest hole of (a).

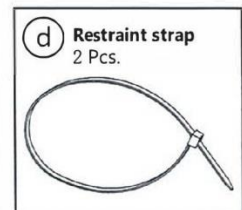
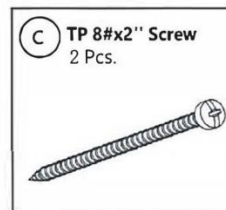
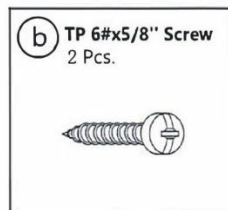
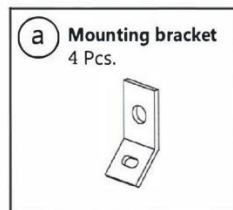


### STEP 2:

- Locate a stud in behind the have to
- Place the other mounting bracket (a) on the wall stud 2 inches below the mounting bracket secured to the back of your unit.
- Attach to the wall stud using (c) through the smaller hole of (a).

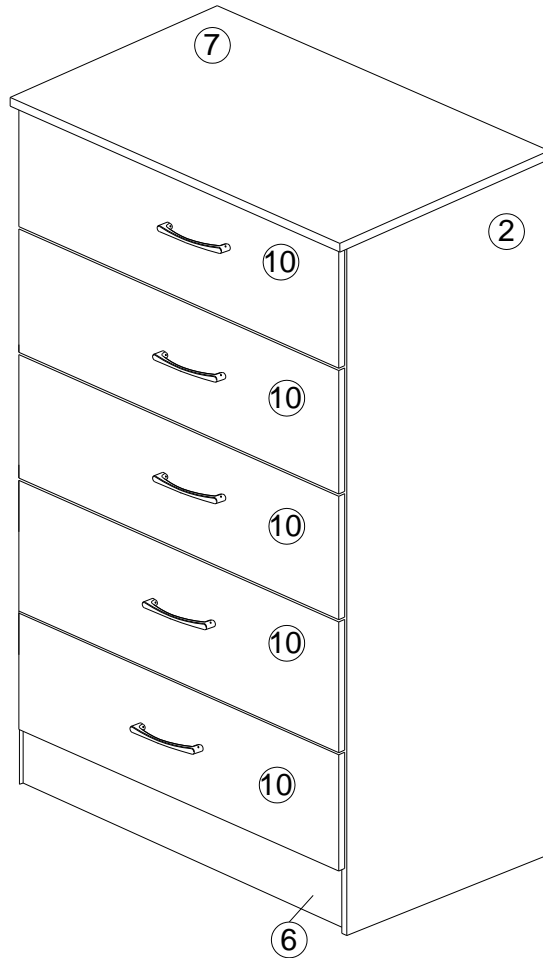
### STEP 3:

- Repeat the same step a few inches away from the other side of the unit.
- Place the furniture into position so both mounting brackets are vertically in line.
- Lace the end of the restraint strap through the larger holes in each mounting bracket.
- Secure the straps and lock into place.



HODEDAH®

Job Complete...



Enjoy & Thank you for purchasing from Hodedah!

