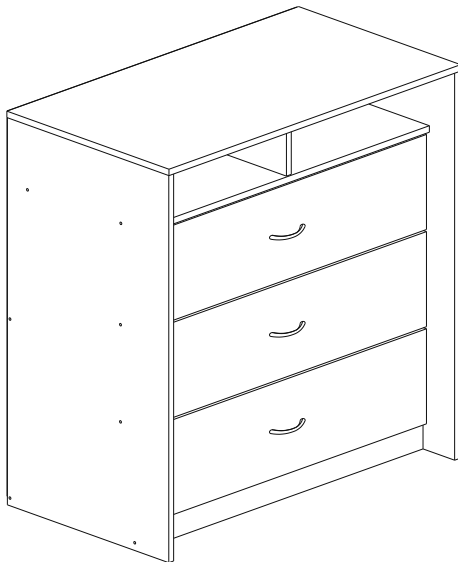


Assembly Instructions

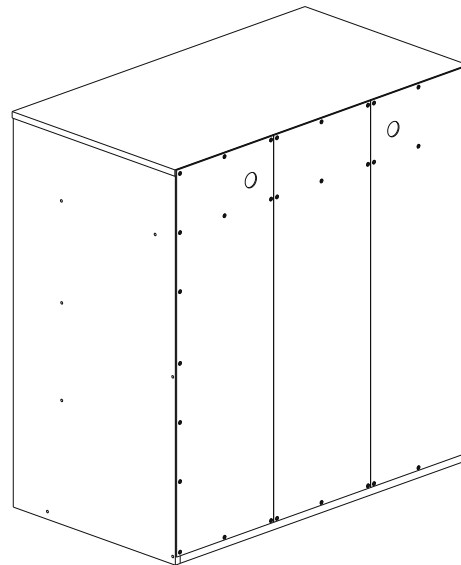
This instruction booklet contains important safety information, please read and keep for future reference.

ITEM # HI302DR

3 DRAWER DRESSERW / ONE OPEN SHELF 2 COMPARTMENTS



FRONT VIEW



BACK VIEW

Product Dimensions: Height 36.41" x Width 35.43" x Depth 19.68"

Weight Capacity per drawer: 20 lbs.



Phone

Mon – Fri | 9:30 am to 5pm EST

1 - 855 – HODEDAH

1 – 855 – 463 -3324



Email

Send us an email

Support@Hodedah.com



Website

Visit our website to open a case

www.Hodedah.com

Questions, need parts, we are here to help!

FOR PROMPT, RELIABLE SERVICE PLEASE HAVE YOUR INSTRUCTION MANUAL READY



DO NOT RETURN PRODUCT TO THE STORE

If parts are missing or damaged please contact our customer service team and we will gladly ship your replacement parts **FREE** of charge within **ONE YEAR** of purchase!

WARRANTY

Hodedah warrants this product to be free from defects in materials and workmanship and agrees to remedy any such defect. This warranty covers one year from the date of original purchase. This is solely limited to replacement of defective parts and no assembly for labor is included. This warranty does not apply to any product that has been improperly assembled, subjected to misuse, abuse or which has been altered or repaired in any way. To obtain warranty service, original purchaser must present the following; original bill of sale, date of purchase, where the product was purchased and images if applicable. Components replaced warranted through the remainder of the original warranty only. The defective part will be replaced without charge, subject to the terms and conditions described above.

WARNING

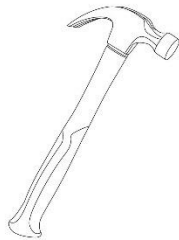
- This product contains small parts, keep away from children.
 - This product contains plastic bags, keep away from children.
 - Serious or fatal crushing injuries can occur from furniture tip-over. To help prevent this, place heaviest items on the lower shelves and drawers. Do not set heavy objects on top shelves and drawers.
 - Never allow children to climb or hang on drawers, shelves and doors.
 - Never open more than one drawer at a time.
 - The use of tip-over restraints may reduce but not eliminate the risk of tip-over.
-

Let's get started...

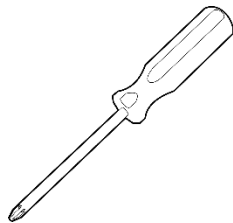
Helpful hints, read before beginning assembly

- Make sure you receive all boxes. If your item is packed in one box, box count will read 1 of 1, likewise if your item is packed in two boxes, box count will read 1 of 2 and second box will read 2 of 2.
- Read each step carefully. It is very important that each step is performed in the correct order. If these steps are not followed in sequence, assembly difficulties will occur.
- Work in a spacious level area, preferably carpet, near the place the unit will be used.
- **DO NO USE** power tools to assemble your furniture, it will strip and damage parts.
- Your package should include the following hardware and parts. Parts are labeled or stamped on the raw edge. Please inspect contents to ensure you have received all components. **If you are missing any hardware or parts please contact customer service right away before assembly.**

Assembly Tools Required(not supplied)



Hammer



Phillips Screwdriver



Tape Measure

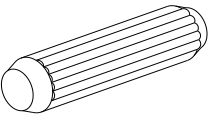
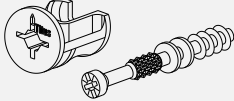

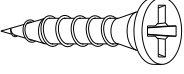

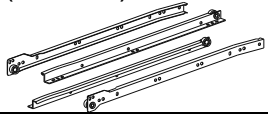
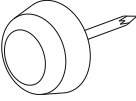

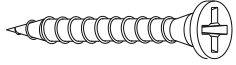
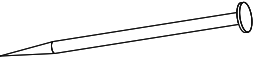


No Power Tools Needed

Product Care and Maintenance

- Wipe clean with dry soft cloth, never use chemicals or cleaning products that will damage the finish.
- Avoid placing your furniture in direct sunlight, as sunlight causes fading.
- Never push, drag or pull your furniture, to move to a new location carefully with two or more people carry the unit to its new location.
- Avoid extreme changes in temperature by arranging furniture away from radiators, heat and air vents and air conditioning units.

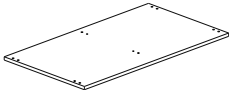
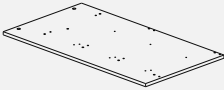
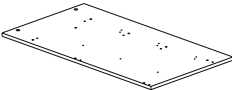
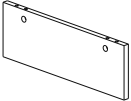
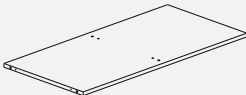
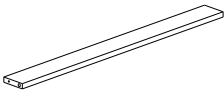
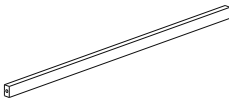
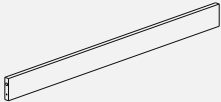
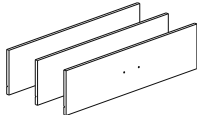
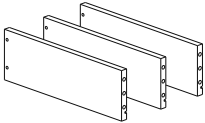
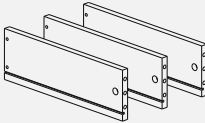
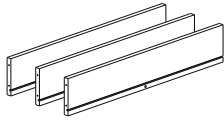
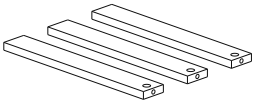
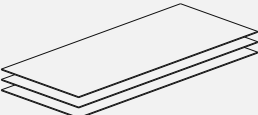
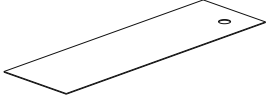
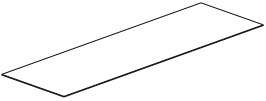

Hardware List

<p>A 8x25mm Dowel</p> 	<p>QTY 36Pcs</p> <input type="checkbox"/>	<p>B Minifix</p> 	<p>QTY 15Sets</p> <input type="checkbox"/>	<p>C M4x45mm Screw</p> 	<p>QTY 31Pcs</p> <input type="checkbox"/>
<p>D M3.5x16mm Screw</p> 	<p>36Pcs</p> <input type="checkbox"/>	<p>E Sticker</p> 	<p>14Pcs</p> <input type="checkbox"/>	<p>F Drawer Slide (300mm)</p> 	<p>3Sets</p> <input type="checkbox"/>
<p>G 5/8 Nail With Pin</p> 	<p>4Pcs</p> <input type="checkbox"/>	<p>H Handle Moon (96mm)</p> 	<p>3Pcs</p> <input type="checkbox"/>	<p>I M3x21mm Screw</p> 	<p>6Pcs</p> <input type="checkbox"/>
<p>J 6/8 Power Pin</p> 	<p>30Pcs</p> <input type="checkbox"/>				

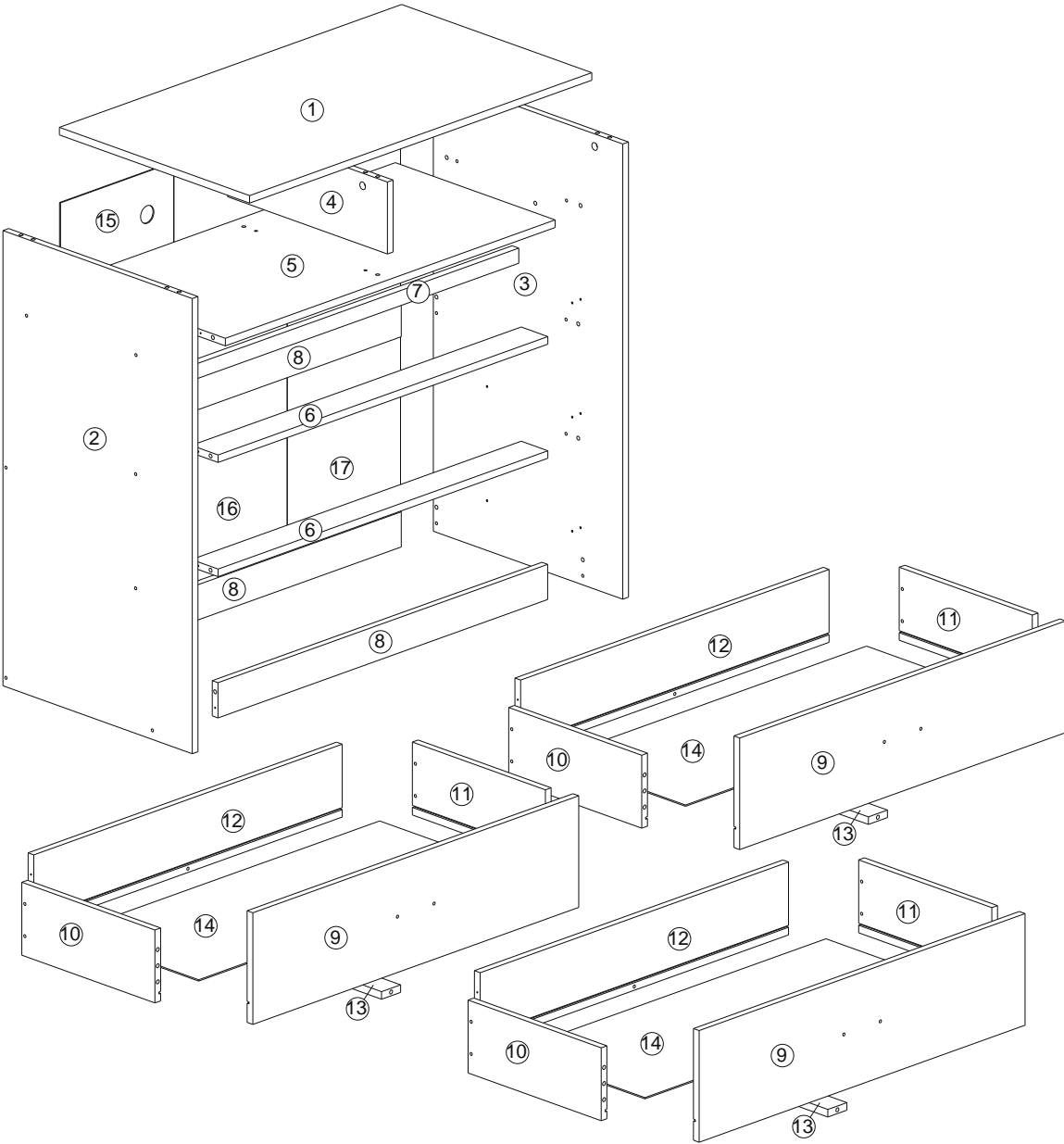
Important

1. Before you throw the package, please use the Check Box to identify the parts and hardware to ensure that you have everything you need.
2. Check and measure the bolts before applying them to parts.
3. Do not completely tighten all hardware until the entire assembly is complete, unless indicated otherwise.

Parts List

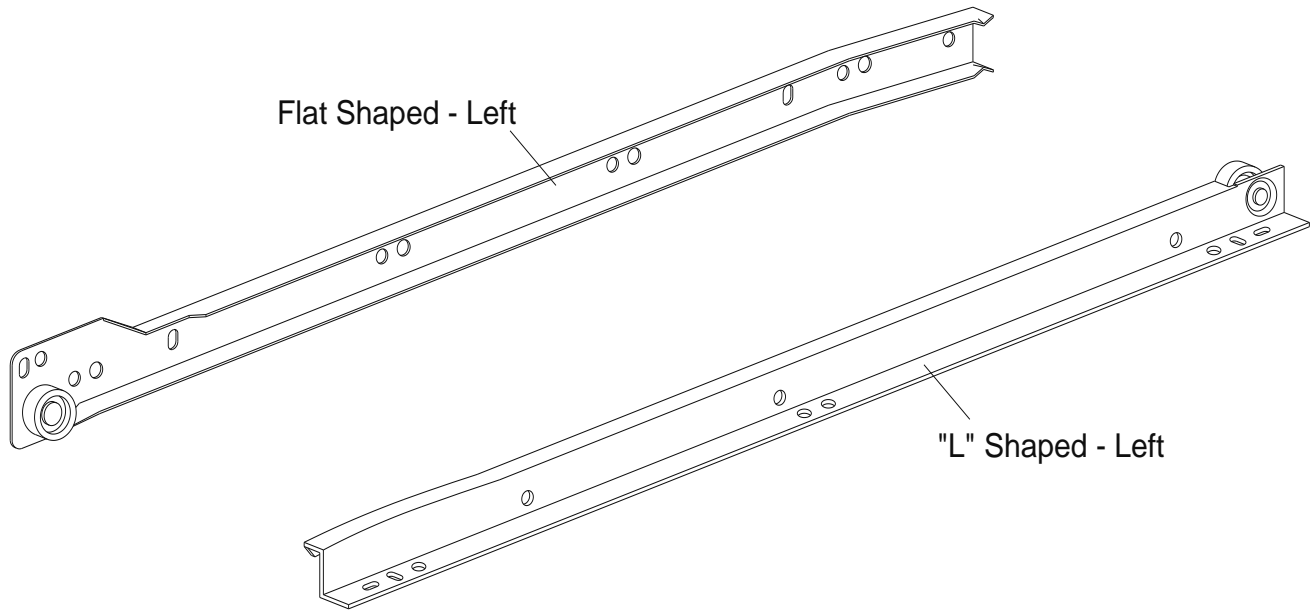
<p>1 Top Panel 900x500x15mm</p> 	<p>QTY 1Pc</p> <input data-bbox="467 436 552 508" type="checkbox"/>	<p>2 Left Side Panel 905x498x15mm</p> 	<p>QTY 1Pc</p> <input data-bbox="940 436 1024 508" type="checkbox"/>	<p>3 Right Side Panel 905x498x15mm</p> 	<p>QTY 1Pc</p> <input data-bbox="1414 436 1498 508" type="checkbox"/>
<p>4 Divider Panel 420x143x15mm</p> 	<p>1Pc</p> <input data-bbox="467 646 552 718" type="checkbox"/>	<p>5 Partition Panel 867x420x15mm</p> 	<p>1Pc</p> <input data-bbox="940 646 1024 718" type="checkbox"/>	<p>6 Front Strengthening Panel 867x70x15mm</p> 	<p>2Pcs</p> <input data-bbox="1414 646 1498 718" type="checkbox"/>
<p>7 Strengthening LVL Panel 867x30x15mm</p> 	<p>1Pc</p> <input data-bbox="467 907 552 978" type="checkbox"/>	<p>8 Kick Panel 867x80x15mm</p> 	<p>3Pcs</p> <input data-bbox="940 907 1024 978" type="checkbox"/>	<p>9 Drawer Front Panel 857x222x15mm</p> 	<p>3Pcs</p> <input data-bbox="1414 907 1498 978" type="checkbox"/>
<p>10 Drawer - Left Side Panel 350x145x15mm</p> 	<p>3Pcs</p> <input data-bbox="467 1188 552 1260" type="checkbox"/>	<p>11 Drawer - Right Side Panel 350x145x15mm</p> 	<p>3Pcs</p> <input data-bbox="940 1167 1024 1239" type="checkbox"/>	<p>12 Drawer End Panel 811x145x15mm</p> 	<p>3Pcs</p> <input data-bbox="1414 1188 1498 1260" type="checkbox"/>
<p>13 Drawer Base Supporting Panel 335x50x15mm</p> 	<p>3Pcs</p> <input data-bbox="467 1461 552 1533" type="checkbox"/>	<p>14 Drawer Base Panel 820x344x2.5mm</p> 	<p>3Pcs</p> <input data-bbox="940 1440 1024 1512" type="checkbox"/>	<p>15 Back Panel - Left 900x298x2.5mm</p> 	<p>1Pc</p> <input data-bbox="1414 1461 1498 1533" type="checkbox"/>
<p>16 Back Panel - Center 900x298x2.5mm</p> 	<p>1Pc</p> <input data-bbox="467 1734 552 1806" type="checkbox"/>	<p>17 Back Panel - Right 900x298x2.5mm</p> 	<p>1Pc</p> <input data-bbox="940 1722 1024 1793" type="checkbox"/>		

The Breakdown...

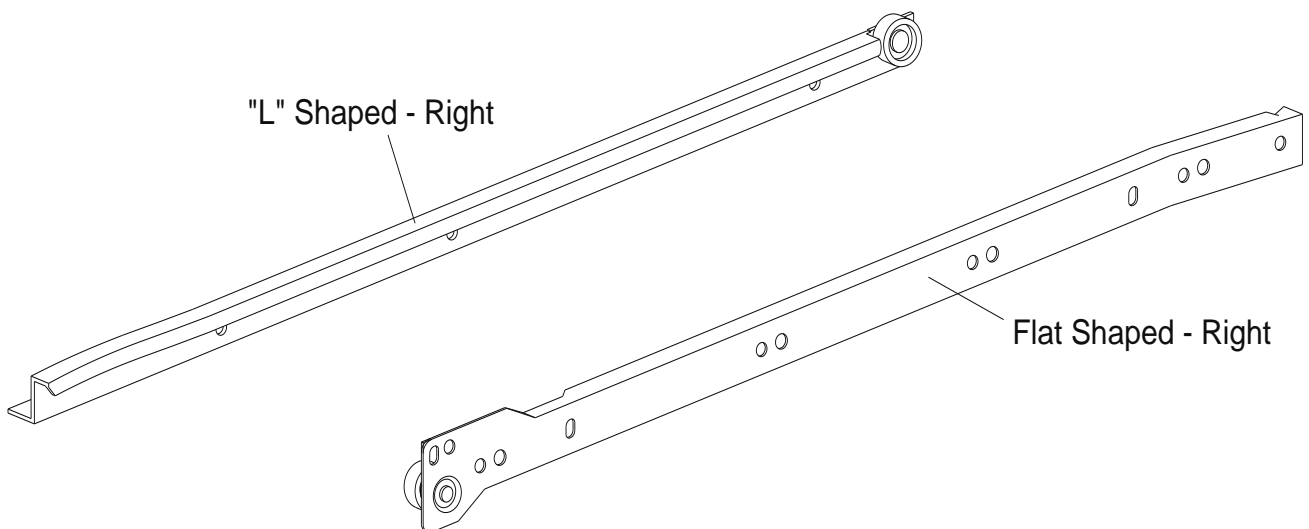


On hardware list, you will find three bundles of drawer slide (F), left and right as shown in picture below.

Left Drawer Slide(F)



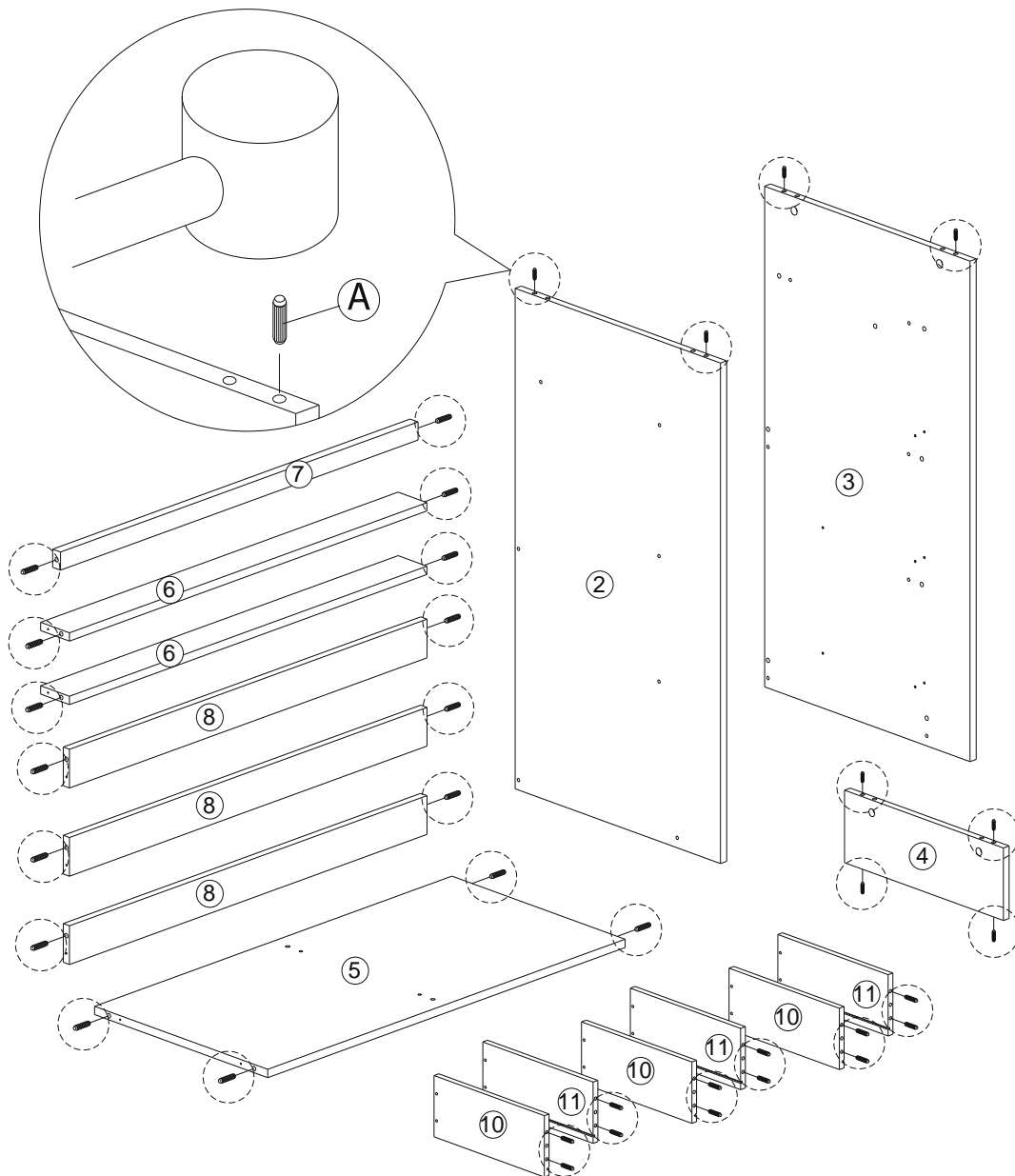
Right Drawer Slide(F)




Step 1

Insert PVC dowels (A) to Panel 2, 3, 4, 5, 6, 7, 8, 10 and 11's non-thru holes as shown, using hammer to gently tap them in.

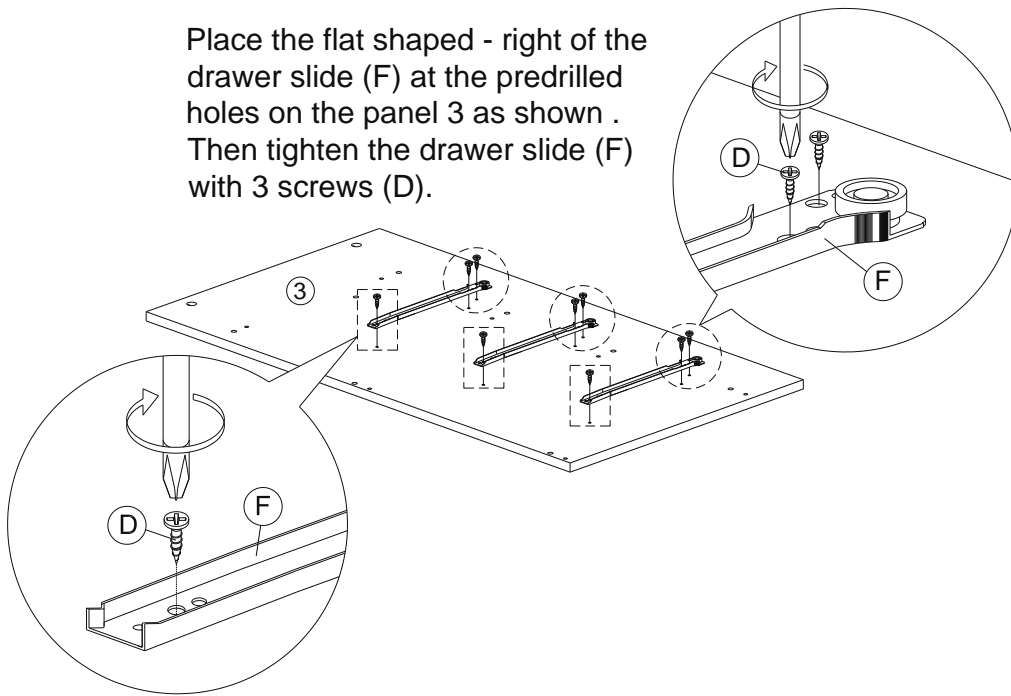
Non-thru holes (are small indents in the wood that show you where the screws should be.)



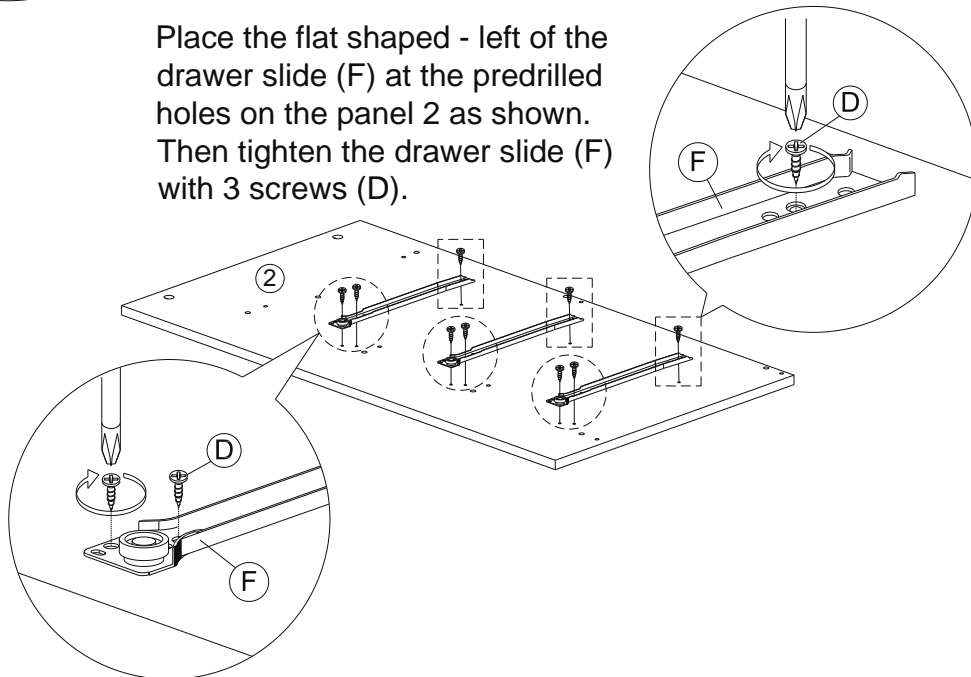
A		8x25mm Dowel	36Pcs
----------	---	--------------	-------

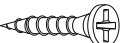
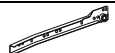
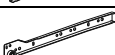
Step 2

Place the flat shaped - right of the drawer slide (F) at the predrilled holes on the panel 3 as shown . Then tighten the drawer slide (F) with 3 screws (D).



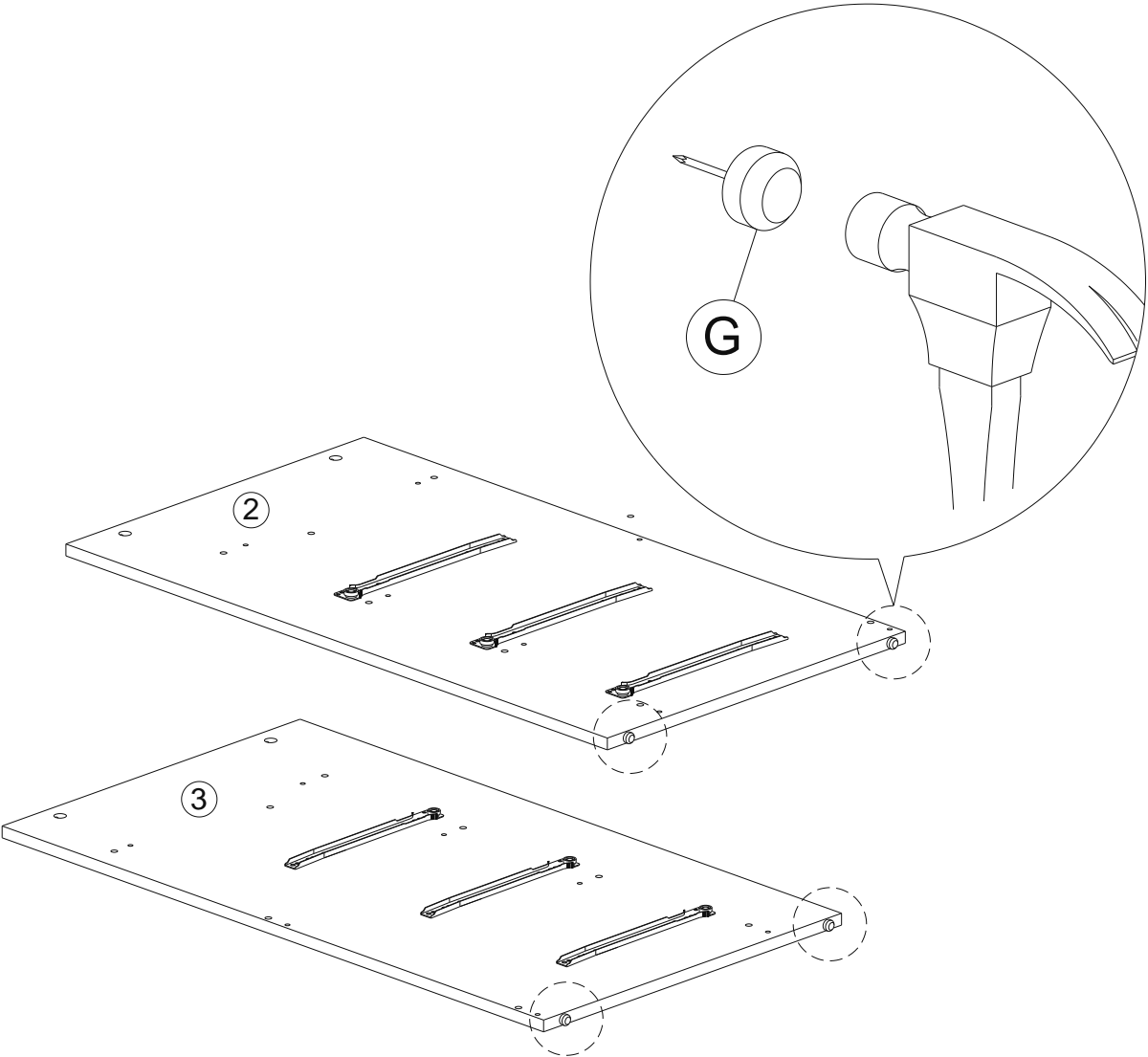
Place the flat shaped - left of the drawer slide (F) at the predrilled holes on the panel 2 as shown. Then tighten the drawer slide (F) with 3 screws (D).



D		M3.5x16mm Screw	18Pcs
F		Drawer Slide 300mm - Right	3Pcs
F		Drawer Slide 300mm - Left	3Pcs

Step 3

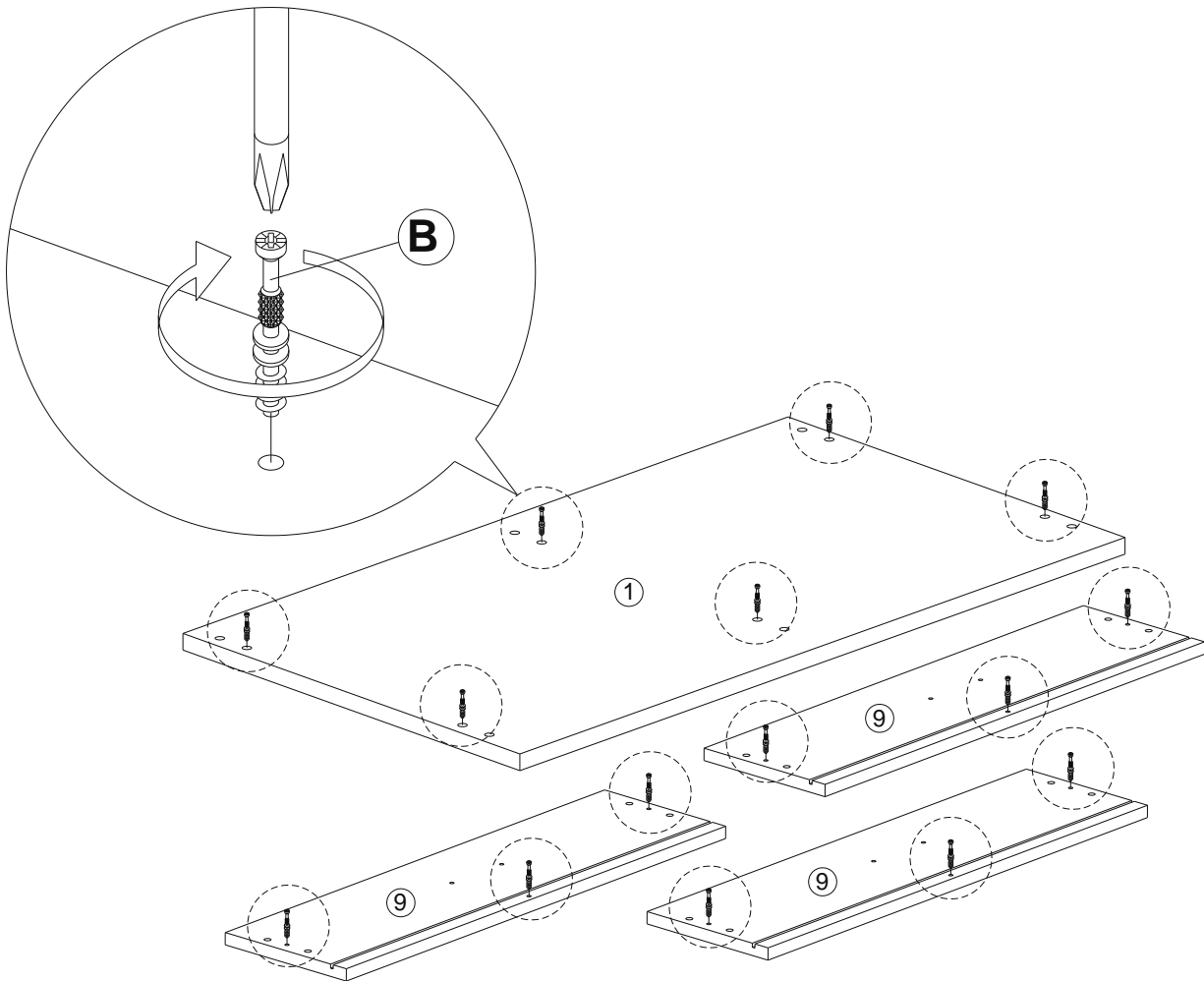
*Insert nails (G) protection onto the bottom edge of panel 2 and 3, slightly tapping them in with hammer.




G		5/8 Nail With Pin	4Pcs
----------	---	-------------------	------

Step 4

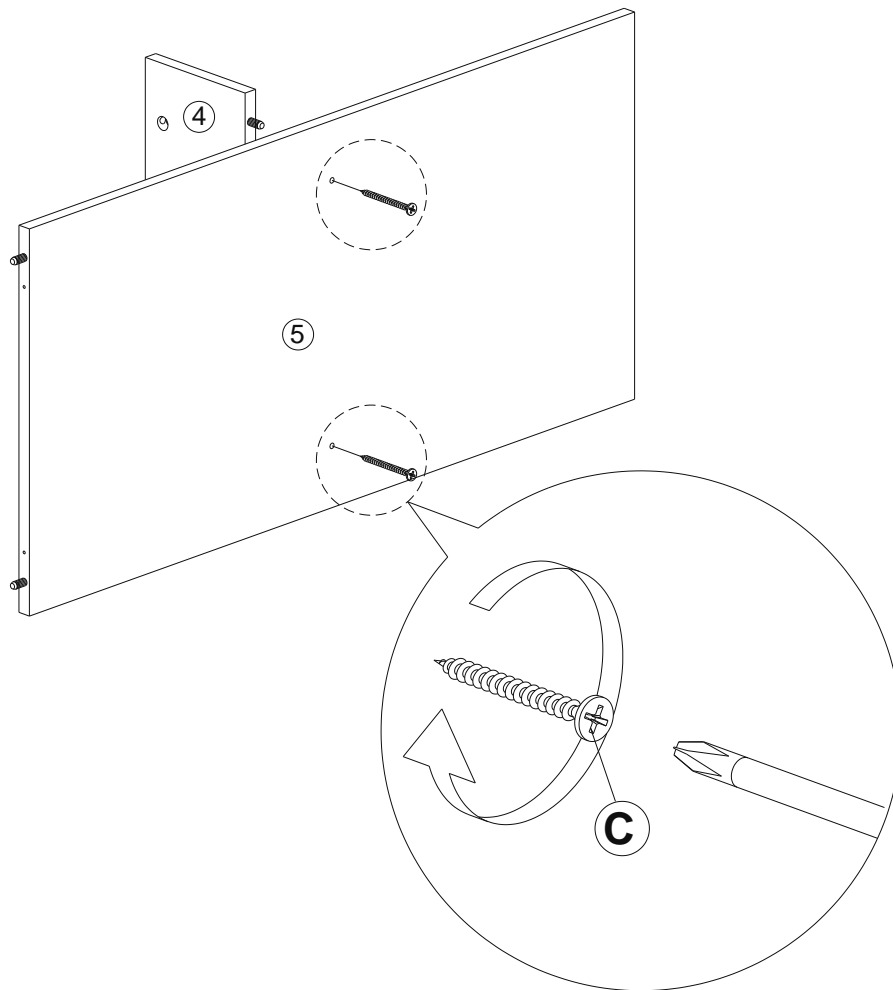
*Place minifix (B) long piece onto the predrilled holes of panel 1 and 9 as shown. (You will use 15 pieces)




B		Minifix	15Pcs
----------	---	---------	-------

Step 5

*Attach panel 5 onto panel 4, align the position properly and fasten screws (C) onto the predrilled holes to fix the panel.



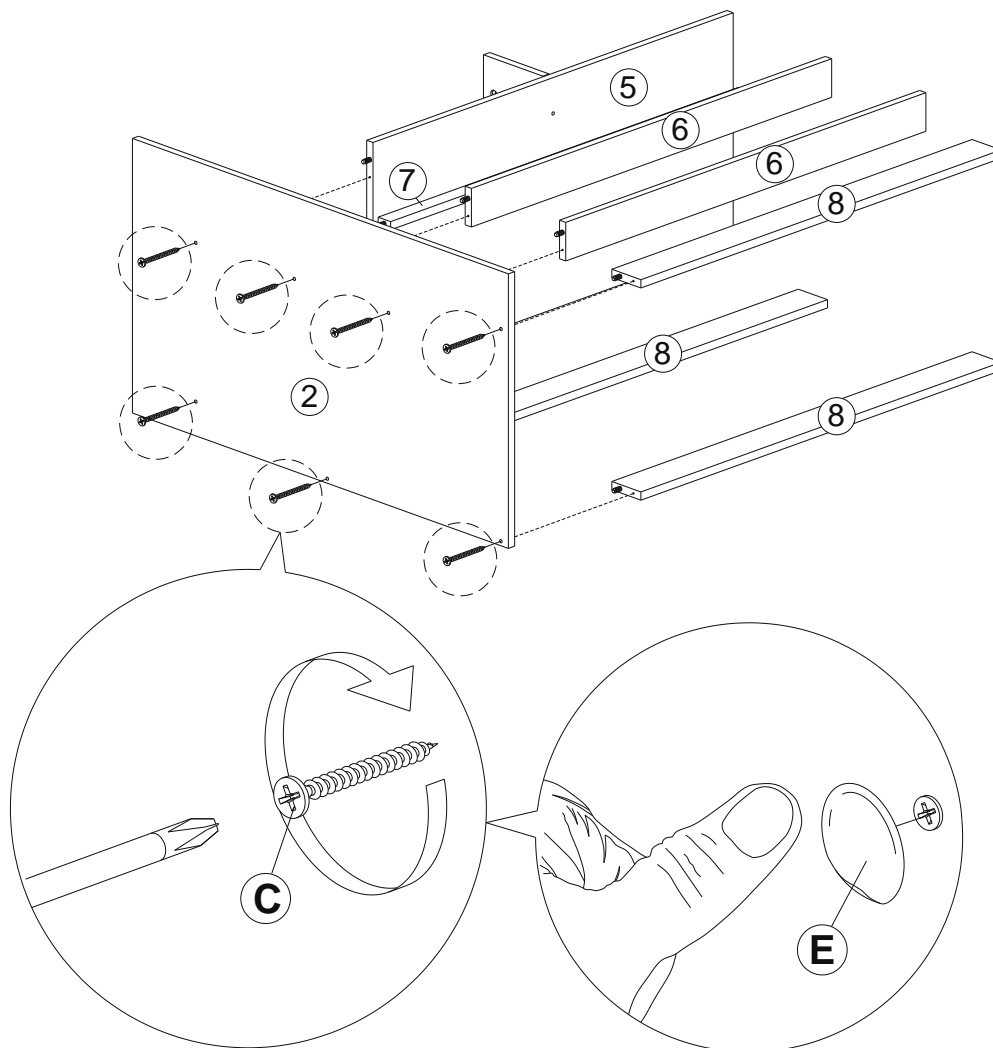
C		M4x45mm Screw	2Pcs
----------	---	---------------	------



Step 6

*Attach panel 5, 6, 7 and 8 onto panel 2, then align the position properly and slightly hammer them in from outside of panel 2.

* Fasten screws (C) from the outside of panel 2 by using the predrilled holes to attach panel 5, 6 and 8.

*Cover all the screws (C)' head with stickers (E) provided by stick up onto hole of screw (C)' heads one by one.



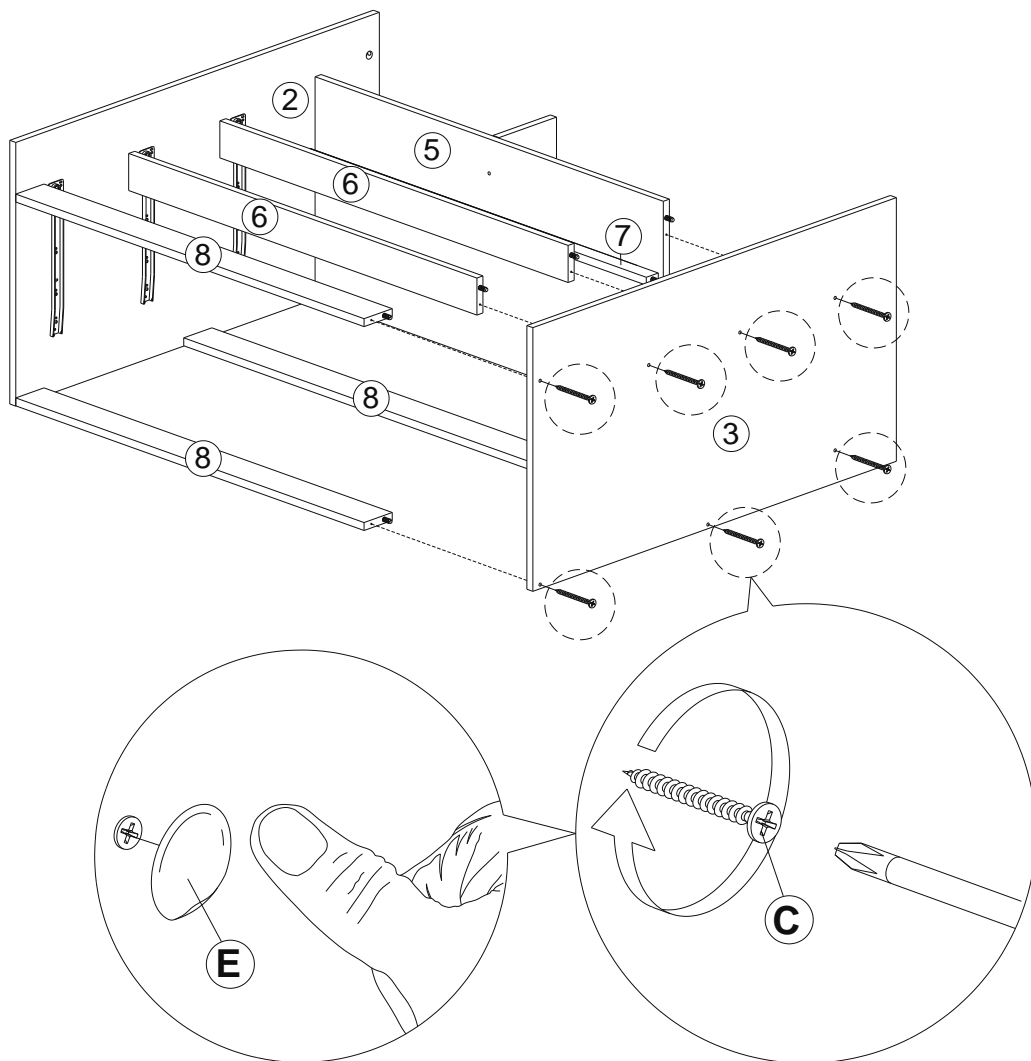
C		M4x45mm Screw	7Pcs
E		Sticker	7Pcs



Step 7

* Attach panel 3 onto panel 5, 6, 7 and 8 then align the position properly and slightly tap them in with hammer.

*Fasten screws (C) onto the predrilled holes of panel 3 to fix panel 5, 6 and 8 predrilled holes.

*Cover all the screws (C)' head with stickers (E) provided by stick up onto hole of screw (C)' heads one by one.



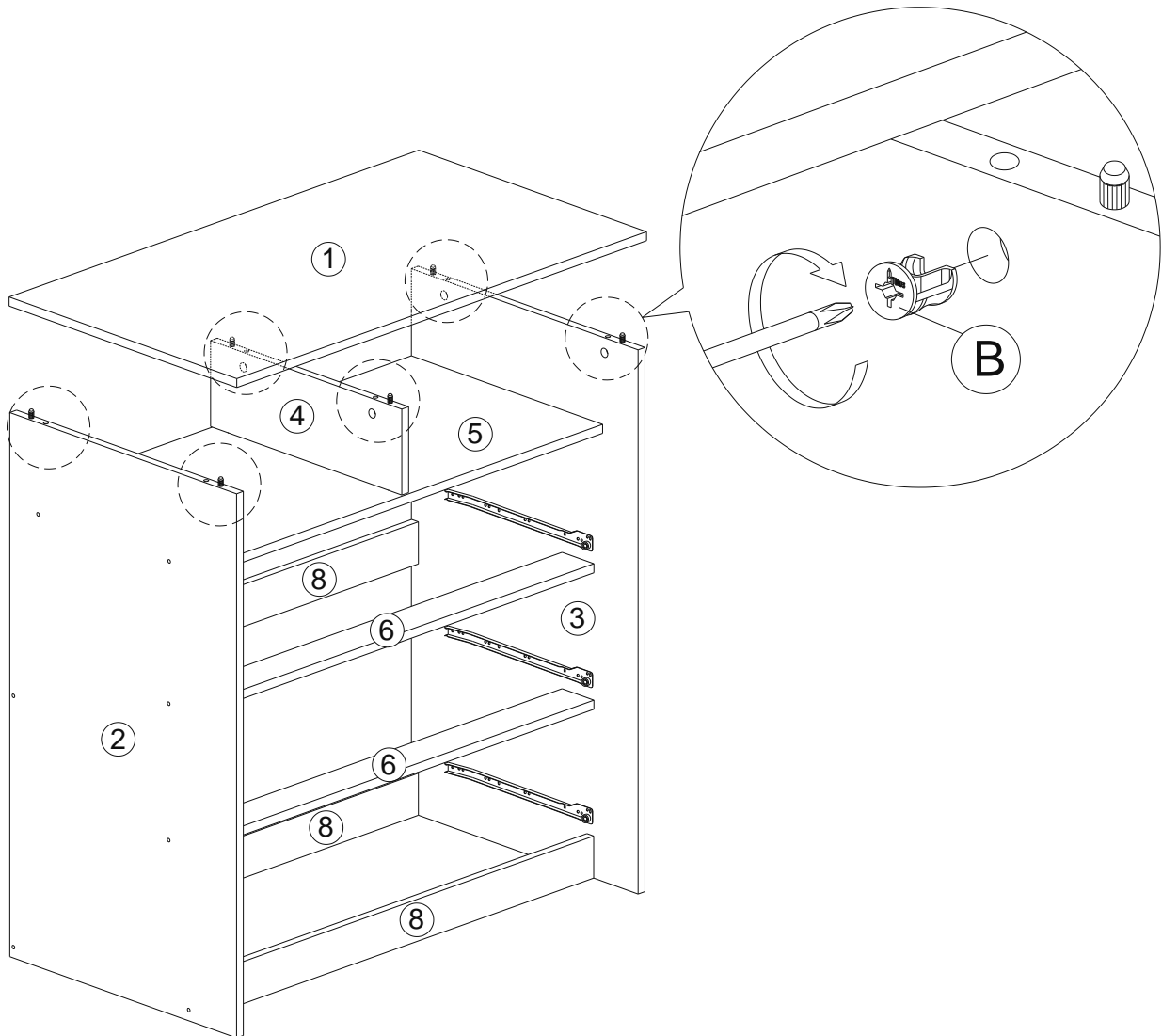
C		M4x45mm Screw	7Pcs
E		Sticker	7Pcs


Step 8

*Attach panel 1 onto panel 2 and 3 and align the panel 1 properly and firmly onto the PCV dowels.

* Gently tap the panel 1 to connect panel 2, panel 3 and panel 4 firmly.

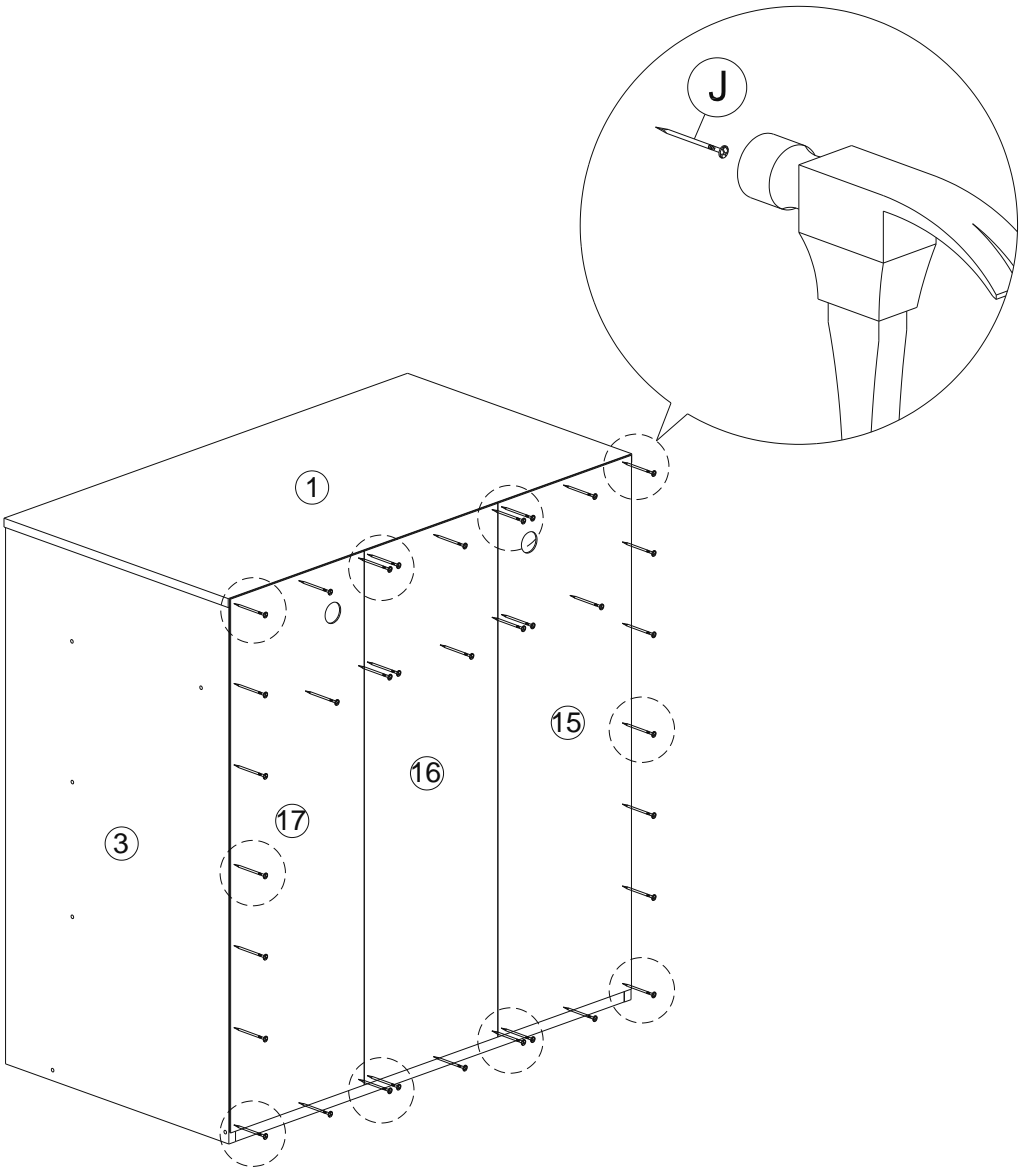
*Insert minifix (B) nuts into both sides predrilled holes of panel 2, 3 and 4, then tighten them clockwise in order to lock minifix up by going underneath panel 1.



B		Minifix	6Pcs
----------	---	---------	------

Step 9

*Fix approximately 30 pieces of nails (J) into panel 15, 16 and 17 using a hammer.



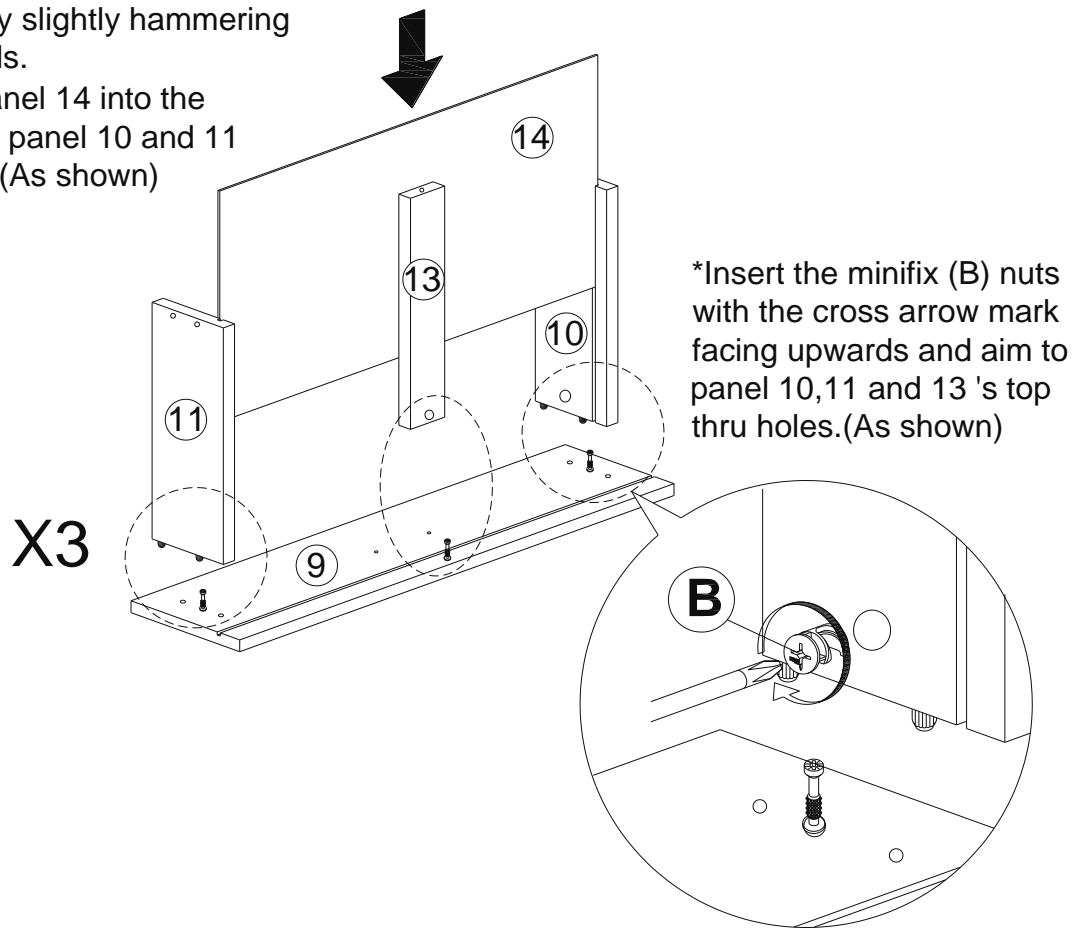
J		6/8 Power Pin	30Pcs
----------	---	---------------	-------


Step 10

Assembly Of Drawer : 3 Drawers

*Insert panel 10,11,13 onto panel 9 by slightly hammering the dowels.

*Insert panel 14 into the groove of panel 10 and 11 properly. (As shown)



B		Minifix	9Pcs
----------	---	---------	------

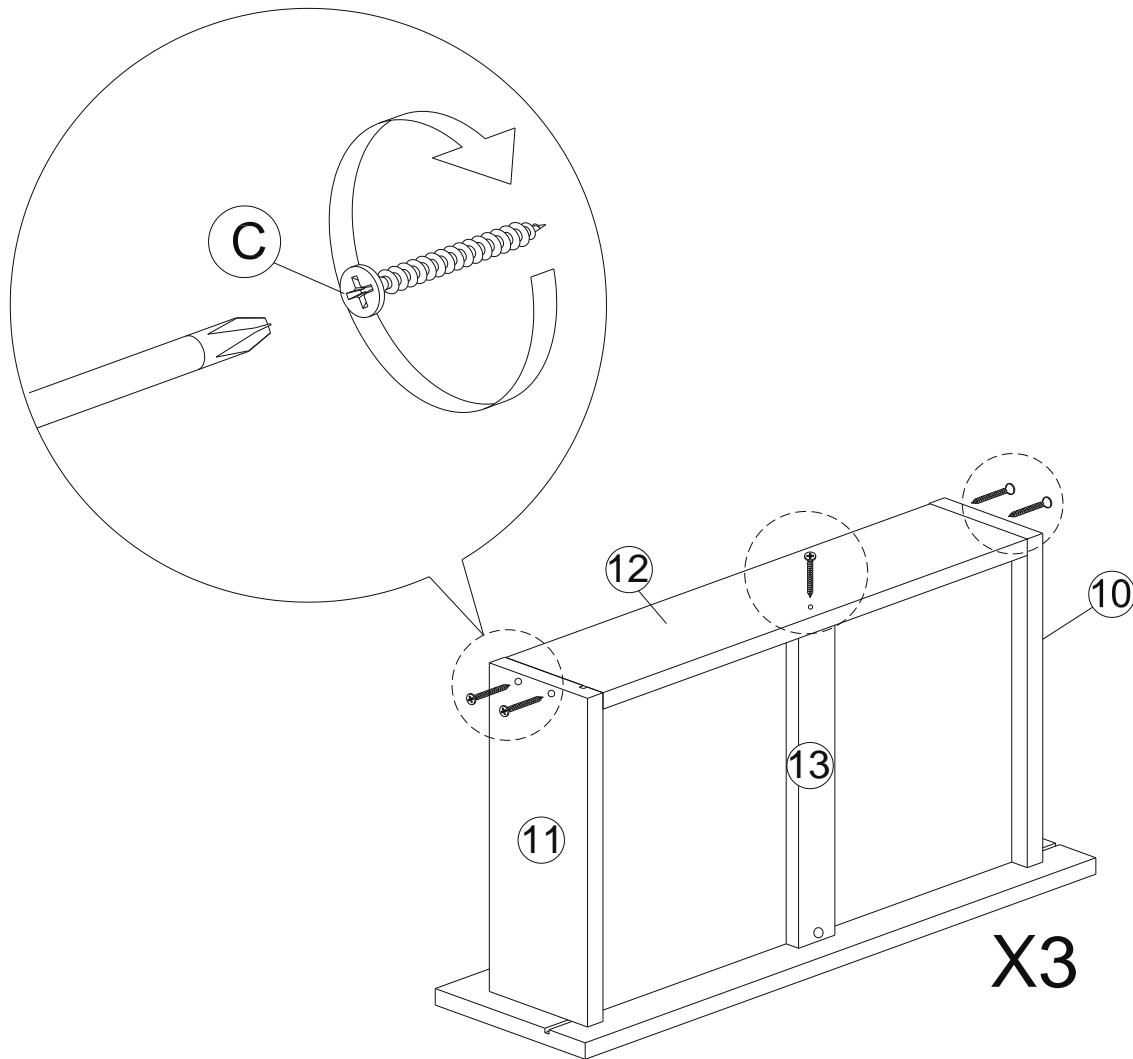
Step 11


*Place panel 12 on each side of panel 10 and 11 as shown.

*Then, tighten screws (C) to panel 10's upper thru holes to fix them onto panel 12.

*Next tighten screws (C) to panel 11's upper thru holes to fix up to the panel 12.

*Tighten screws (C) to panel 12's upper thru holes to fix up to the panel 13.

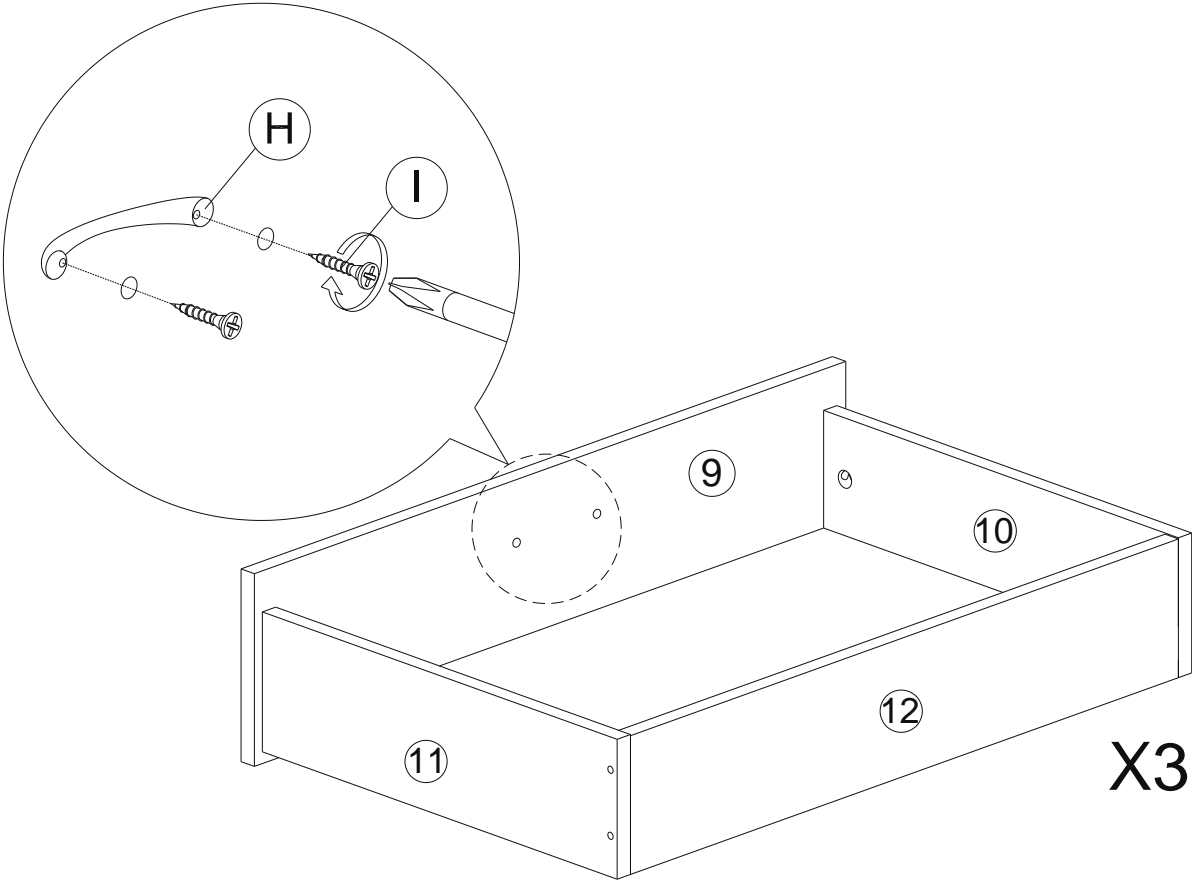



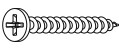
C		M4x45mm Screw	15Pcs
----------	---	---------------	-------

Step 12

*Flip the drawer over.

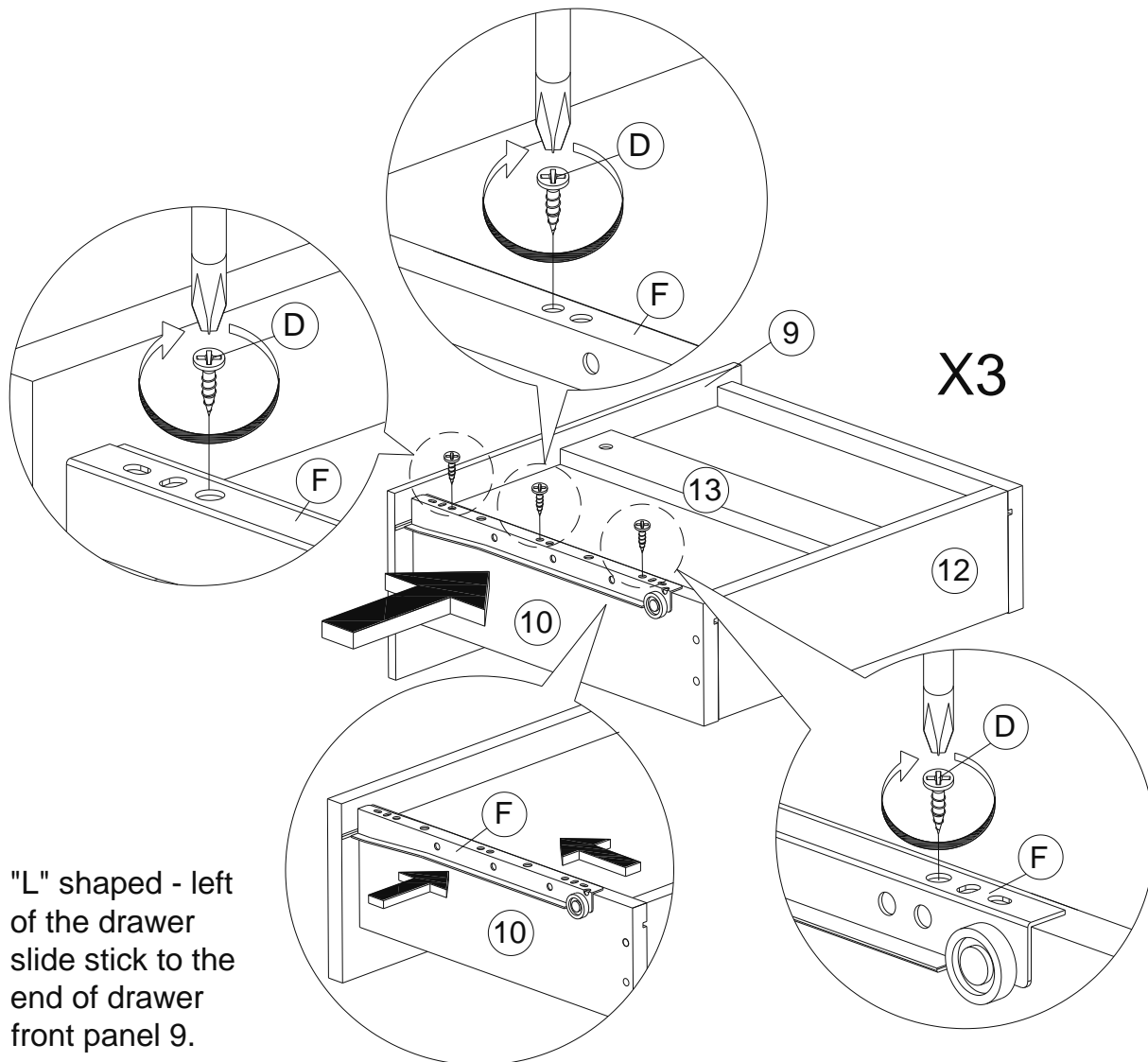
*Tighten 2 screws (I) from inner side of panel 9 into the handle (H) holes.



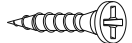

H		Handle Moon (96mm)	3Pcs
I		M3x21mm Screw	6Pcs

Step 13

Place the "L" shaped - left drawer slide (F) with the small white roller facing outwards and should be in parallel with drawer front panel 9. Then tighten 3 screws (D) on each drawer slides (F).

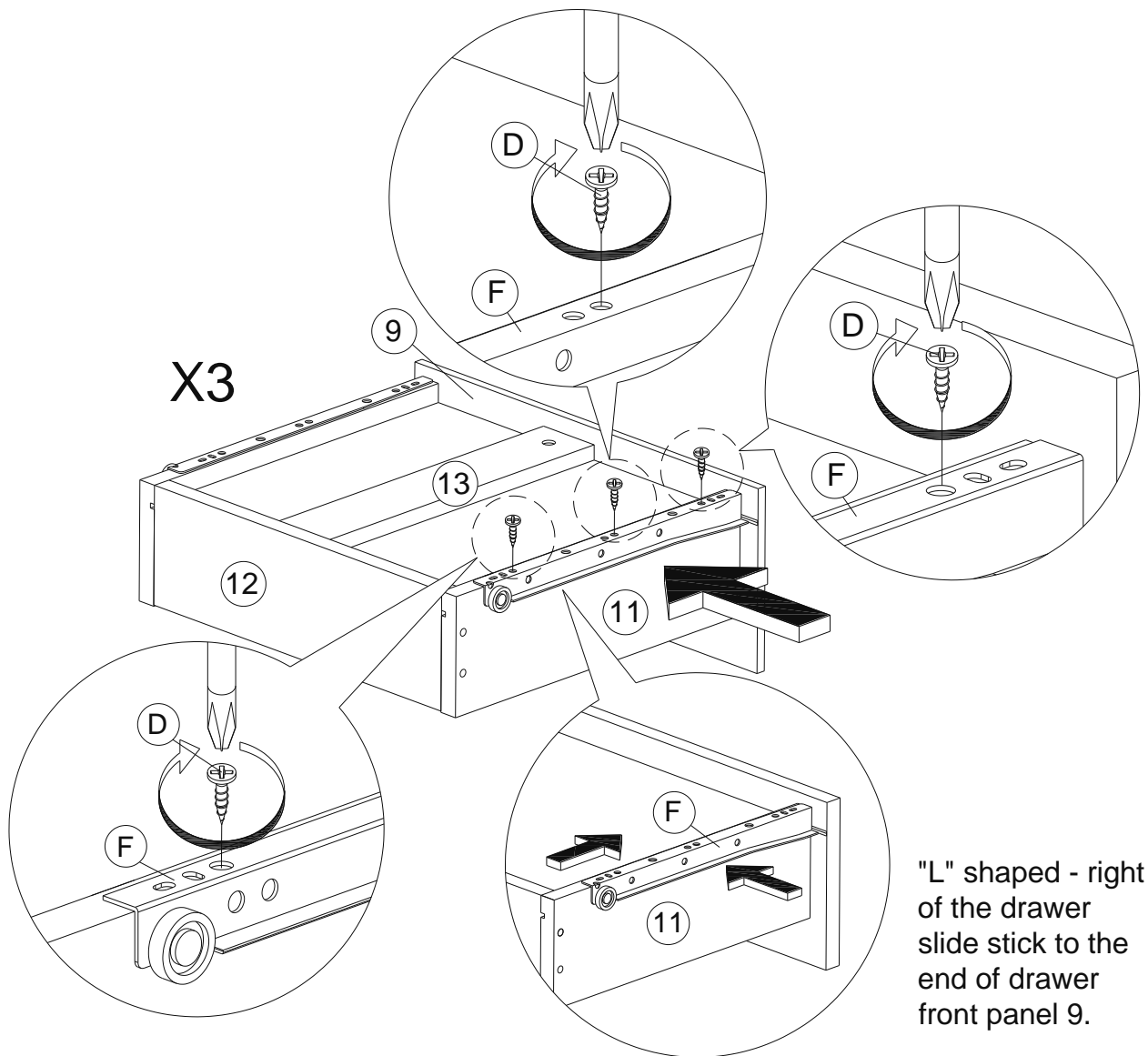


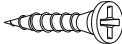

"L" shaped - left of the drawer slide stick to the end of drawer front panel 9.

D		M3.5x16mm Screw	9Pcs
F		Drawer Slide 300mm - Left	3Pcs

Step 14

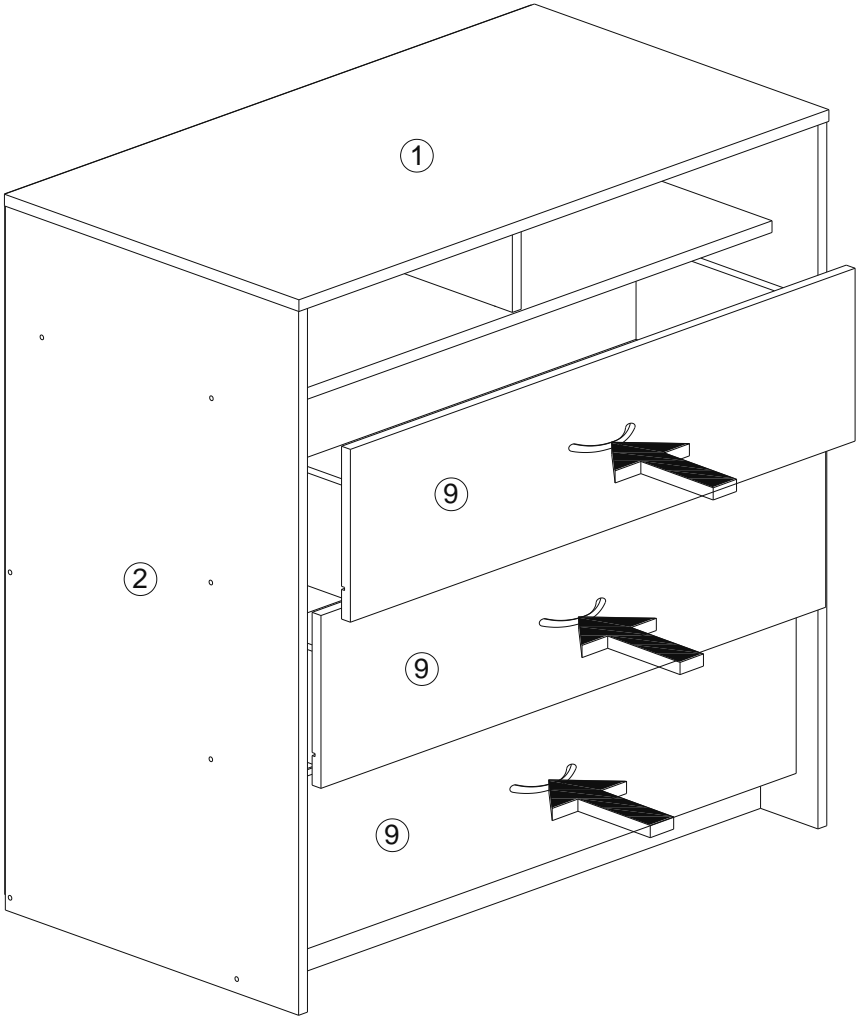
Place the "L" shaped - right drawer slide (F) with the small white roller facing outward and should be in parallel with drawer front panel 9. Then tighten 3 screws (D) on each drawer slides (F).



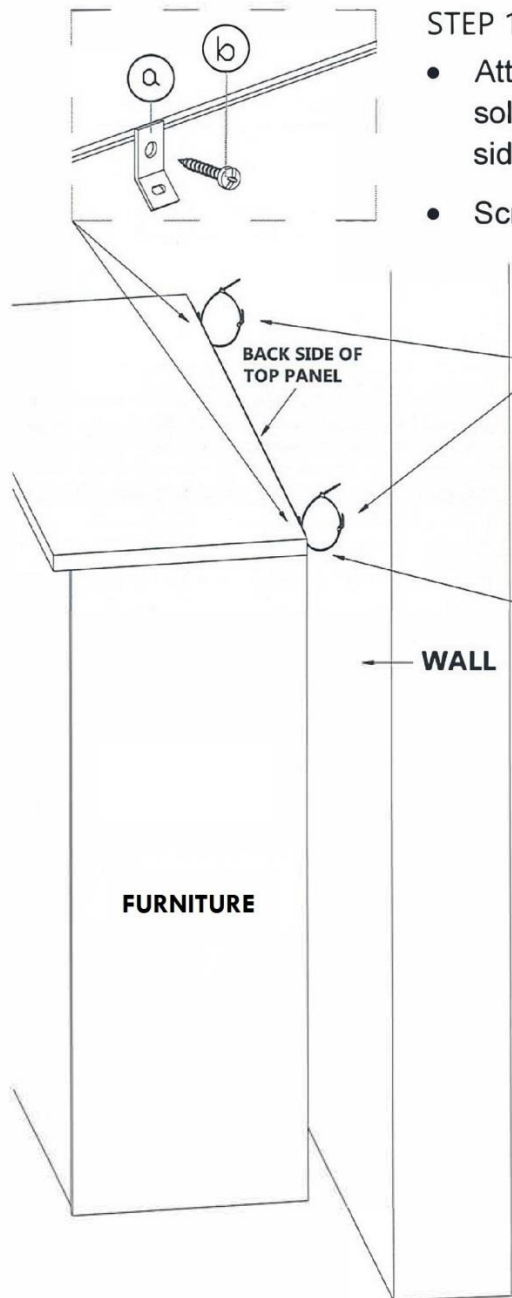
D		M3.5x16mm Screw	9Pcs
F		Drawer Slide 300mm - Right	3Pcs

Step 15

*Take all drawers, and slide them (the white rollers at drawer slide at both side of drawers are to go into the track of the slide at each side panel.) All the way gently, one drawer by one drawer starting from bottom to the top accordingly.

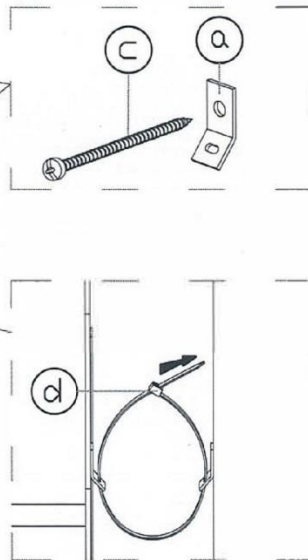


FITTING OF ANTI-TIP SAFETY STRAP



STEP 1:

- Attach the mounting bracket (a) to the furniture in the solid part below the top panel a few inches away from the side of the unit.
- Screw (b) through the smallest hole of (a).

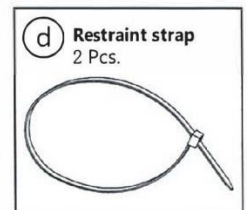
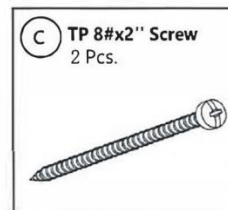
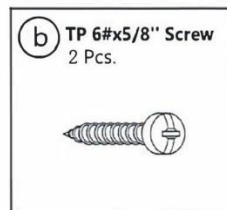
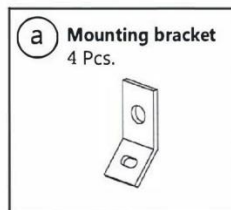


STEP 2:

- Locate a stud in behind the have to
- Place the other mounting bracket (a) on the wall stud 2 inches below the mounting bracket secured to the back of your unit.
- Attach to the wall stud using (c) through the smaller hole of (a).

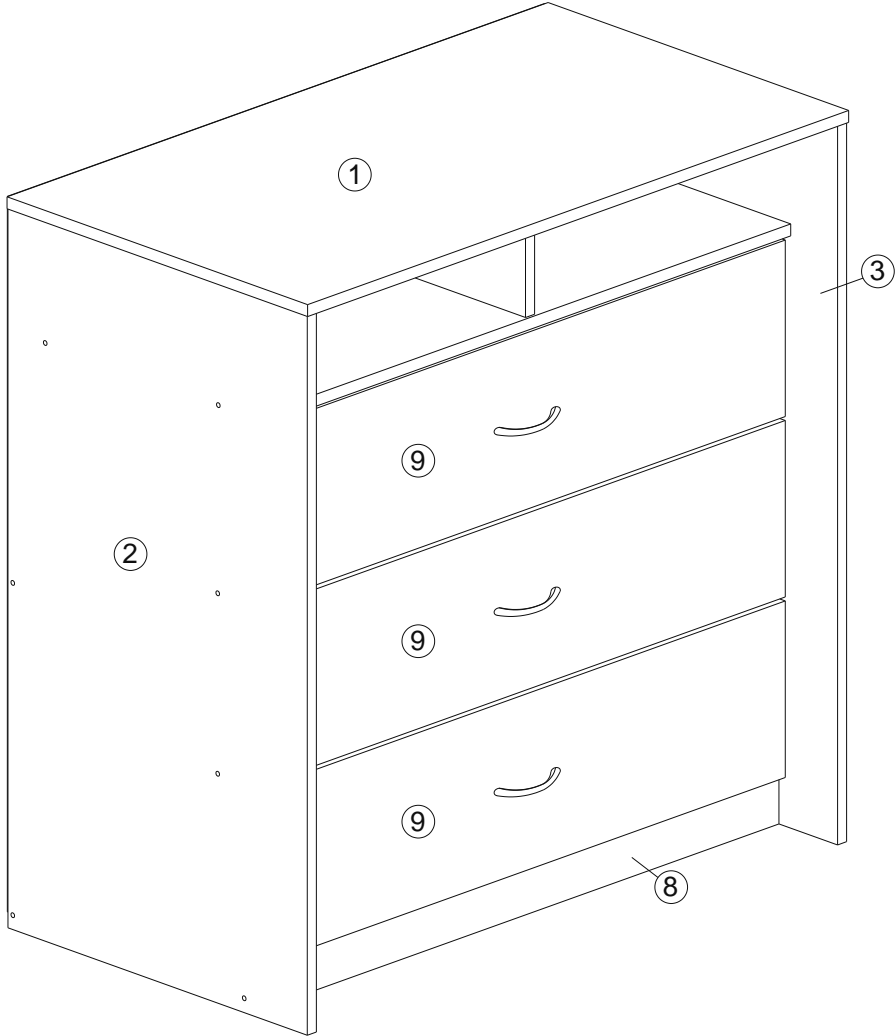
STEP 3:

- Repeat the same step a few inches away from the other side of the unit.
- Place the furniture into position so both mounting brackets are vertically in line.
- Lace the end of the restraint strap through the larger holes in each mounting bracket.
- Secure the straps and lock into place.



HODEDAH®

Job Complete...



Enjoy & Thank you for purchasing from Hodedah!

