

HODEDAH®

Assembly Instructions

This instruction booklet contains important safety information, please read and keep for future reference.

ITEM # HI 224

4 DOOR PANTRY



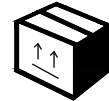
2 people



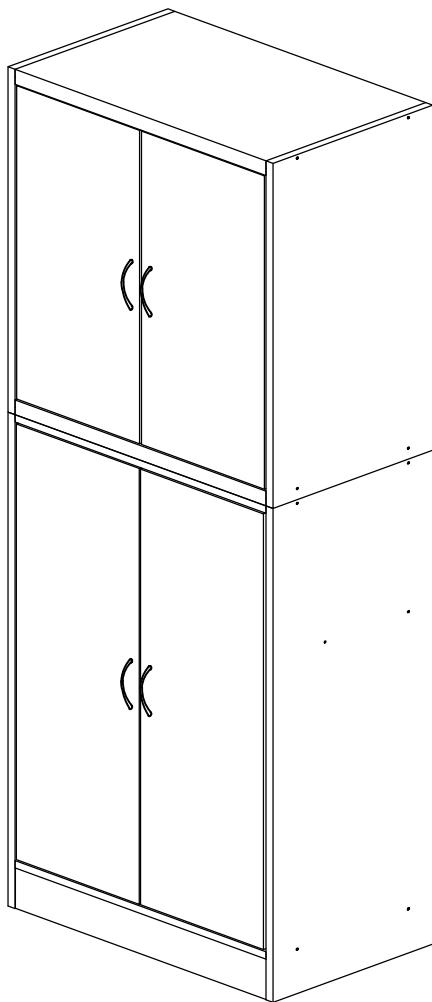
70 mins



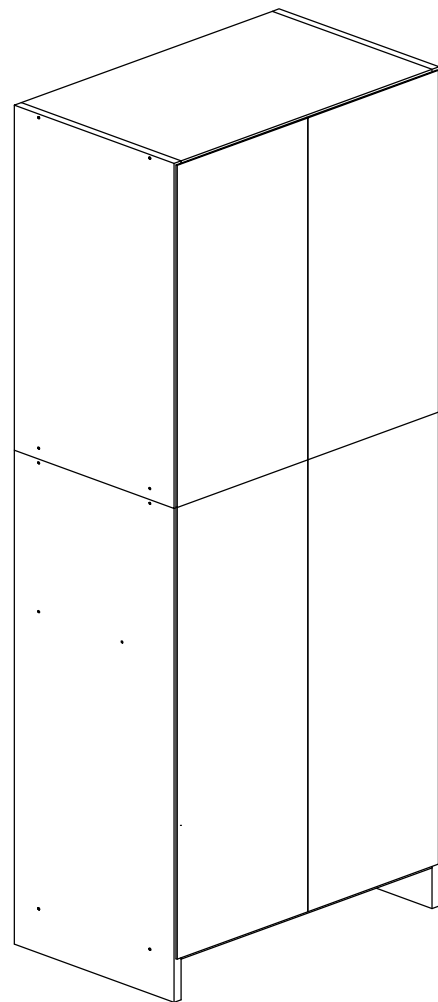
1 YR LTD



1 Box



FRONT VIEW



REAR VIEW

Product Dimensions : Height 71.5" x Width 14.5' x Depth 24"

HODEDAH®

Questions, need parts, we are here to help!



Phone

Mon - Fri | 9:30am to 5pm EST

1 - 855 - HODEDAH

1 - 855 - 463 - 3324



Email

Send us an email

Support@Hodedah.com



Website

Visit our website to open a case

www.Hodedah.com

FOR PROMPT, RELIABLE SERVICE PLEASE HAVE YOUR INSTRUCTION MANUAL READY



DO NOT RETURN PRODUCT TO THE STORE

If parts are missing or damaged please contact our customer service team and we will gladly ship your replacement parts FREE of charge within ONE YEAR of purchase!

WARRANTY

Hodedah warrants this product to be free from defect in materials and workmanship and agrees to remedy and such defect. This warranty covers one year from the date of original purchase. This is solely limited to replacement of defective parts and no assembly for labor is included. This warranty does not apply to any product that has been improperly assembled, subjected to misuse, abuse or which has been altered or repaired in any way. To obtain warranty service, original purchaser must present the following; original bill of sale, date of purchase, where the product was purchased and images if applicable. Components replaced warranted through the remainder of the original warranty only. The defective part will be replaced without charge, subject to the terms and conditions described above.

WARNING

- This product contains small parts, keep away from children.
- This product contains plastic bags, keep away from children.
- Serious or fatal crushing injuries can occur from furniture tip-over. To help prevent this, place heaviest items on the lower shelves and drawers. Do not set heavy object on top shelves and drawers.
- Never allow children to climb or hang on drawers, shelves and doors.
- Never open more than one drawer at a time.
- The use of tip-over restraints may reduce but not eliminate the risk of tip-over.

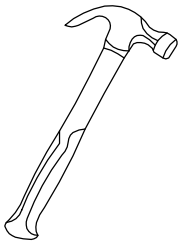
HODEDAH®

Let's get started...

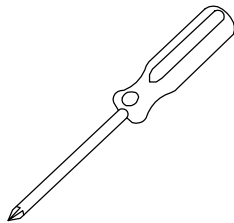
Helpful hints, read before beginning assembly

- Make sure you receive all boxes. if your item is packed in one box, box count will read 1 of 1, likewise if your item is packed in two boxes, box count will read 1 of 2 and second box will read 2 of 2.
- Read each step carefully. It is very important that each step is performed in the correct order. If these steps are not followed in sequence, assembly difficulties will occur.
- Work in a spacious level area, preferably carpet, near the place the unit will be used.
- **DO NO USE** power tools to assemble your furniture, it will strip and damage parts.
- Your package should include the following hardware and parts. Parts are labeled or stamped on the raw edge. Please inspect contents to ensure you have received all components. **If you are missing any hardware or parts please contact customer service right away before assembly.**

Assembly Tools Required (not supplied)



Hammer



Philips Screwdriver



Tape Measure



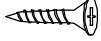
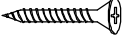
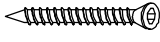
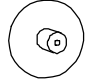
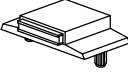

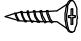
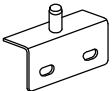

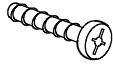
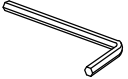



No Power Tools Needed

Product Care and Maintenance

- Wipe clean with dry soft cloth, never use chemicals or cleaning products they will damage the finish.
- Avoid placing your furniture in direct sunlight, as sunlight causes fading.
- Never push, drag or pull your furniture, to move to a new location carefully with two or more people carry the unit to its new location.
- Avoid extreme changes in temperature by arranging furniture away from radiators, heat and air vents and air conditioning units.

Hardware List

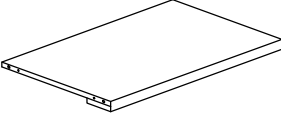
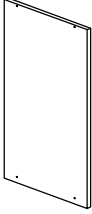
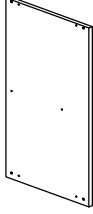

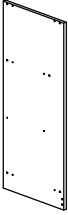
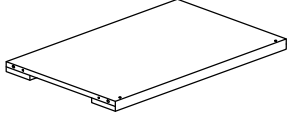
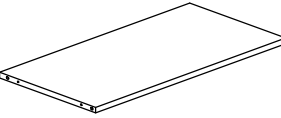
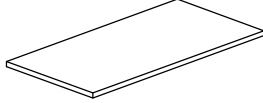
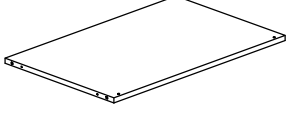
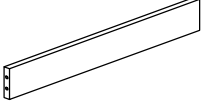
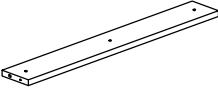
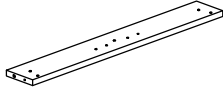

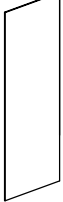
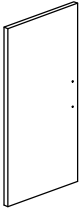

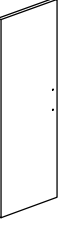

A  M8X25MM	QTY 24 Pcs	B  Shelf Support	QTY 8 Pcs	C  M3.5X16MM	QTY 16 Pcs
D  M4X38MM	QTY 6 Pcs	E1  M6X40MM	QTY 20 Pcs	E2  Minifix Cap	QTY 20 Pcs
F1  3.5kg Magnet (1 Hole)	QTY 4 Pcs	F2  Metal Piece	QTY 4 Pcs	F3  M3X12MM	QTY 4 Pcs
G  MT Stopper	QTY 8 Pcs	H1  Pvc Handle 205-96	QTY 4 Pcs	H2  M4X22MM	QTY 8 Pcs
I  Allen Key	QTY 1 Pcs	J  Nail 5/8	QTY 30 Pcs		

Important

1. Before you throw the package, please use the Check Box to identify the parts and hardware to ensure that you have everything you need.
2. Check and measure the bolts before applying them to parts.
3. Do not completely tighten all hardware until the entire assembly is complete, unless indicated otherwise.

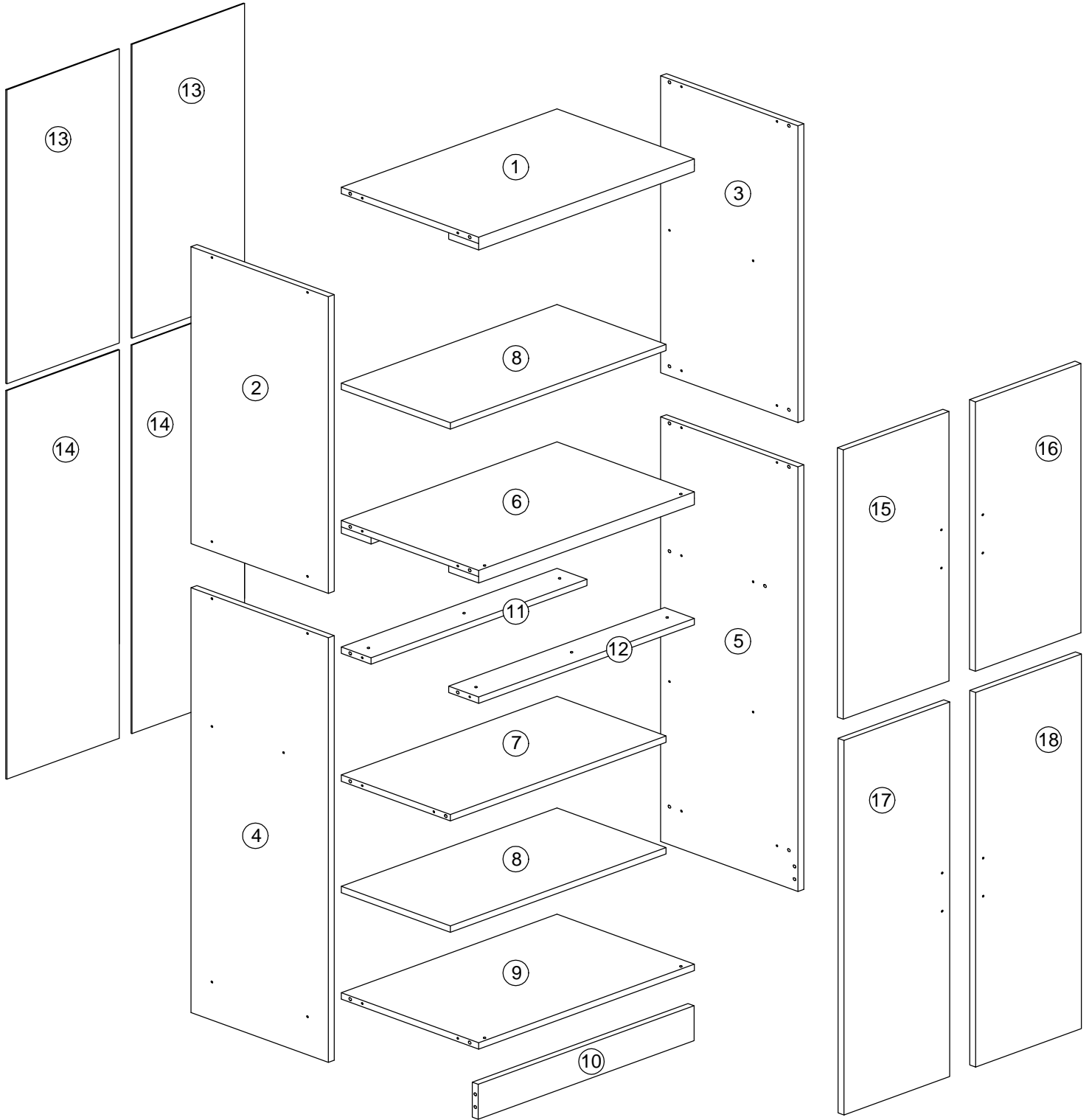
HODEDAH®

Parts List

1  578x368x30mm	QTY 1 Pcs	2  368x747x15mm	QTY 1 Pcs	3  368x747x15mm	QTY 1 Pcs
4  1069x368x15mm	QTY 1 Pcs	5  1069x368x15mm	QTY 1 Pcs	6  578x368x30mm	QTY 1 Pcs
7  578x292x15mm	QTY 1 Pcs	8  578x292x15mm	QTY 2 Pcs	9  578x368x15mm	QTY 1 Pcs
10  578x88x15mm	QTY 1 Pcs	11  578x80x15mm	QTY 1 Pcs	12  578x80x15mm	QTY 1 Pcs
13  744x301x2.5mm	QTY 2 Pcs	14  978x301x2.5mm	QTY 2 Pcs	15  283x675x15mm	QTY 1 Pcs
16  283x675x15mm	QTY 1 Pcs	17  283x941x15mm	QTY 1 Pcs	18  283x941x15mm	QTY 1 Pcs

HODEDAH®

The Breakdown...

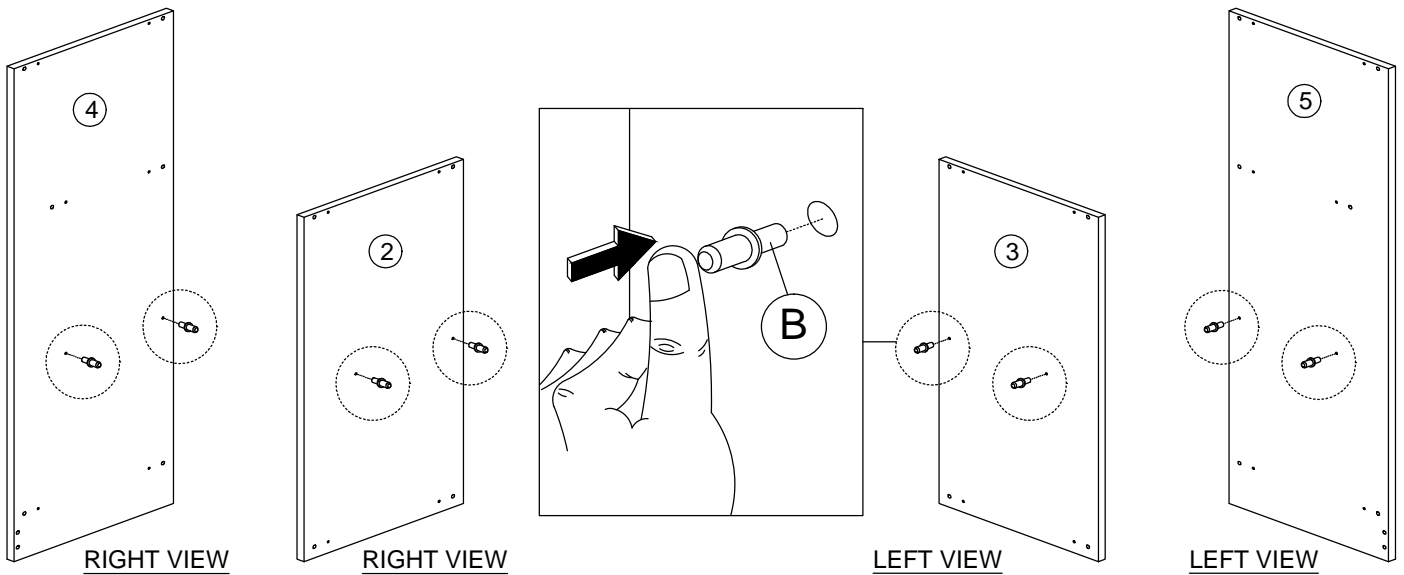
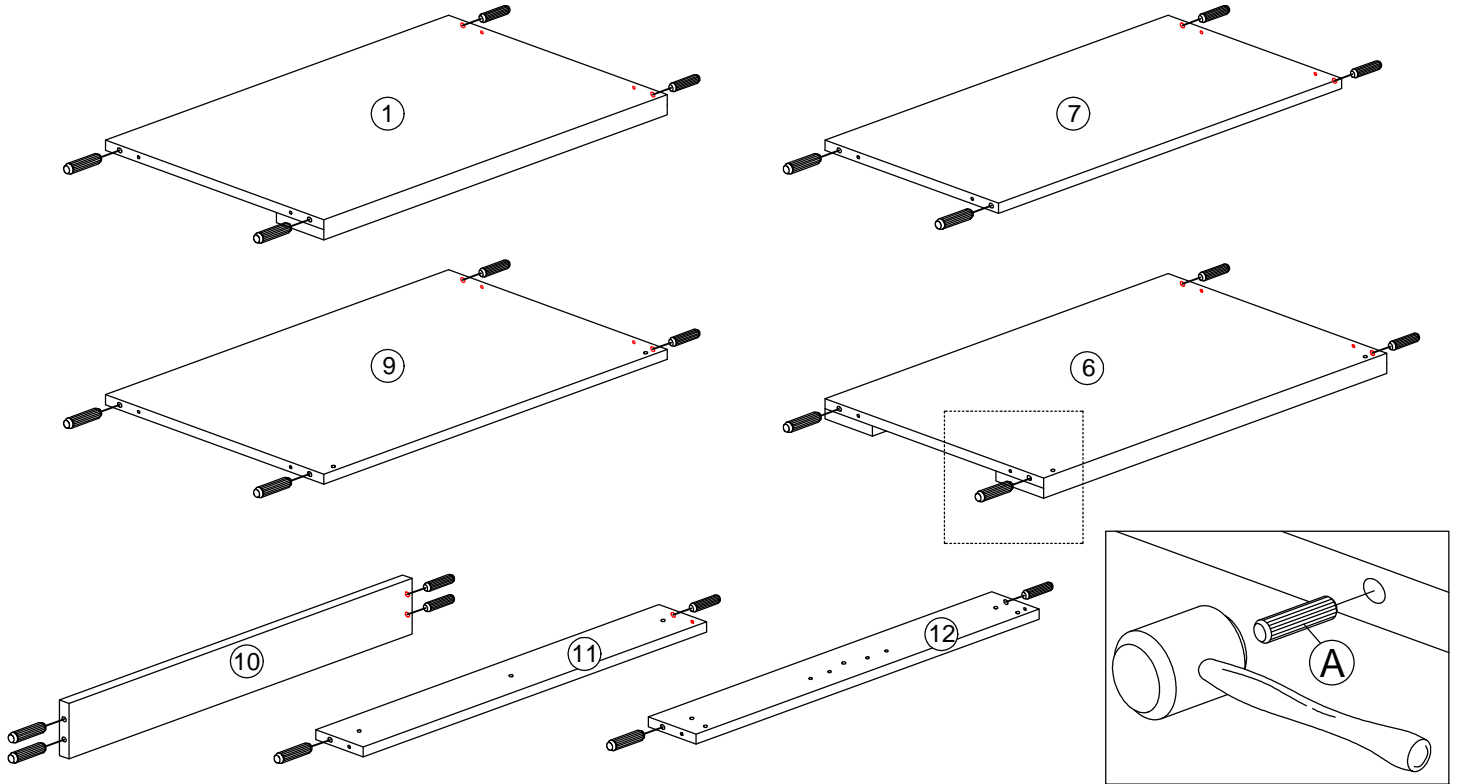


HODEDAH®

Step 1


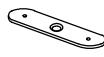

A		WOOD DOWEL M8X25MM	24
---	---	--------------------	----

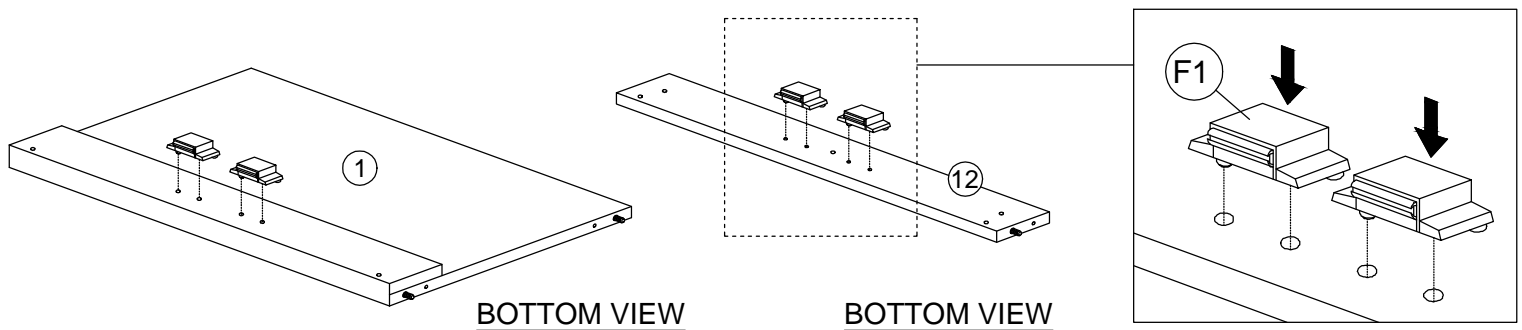
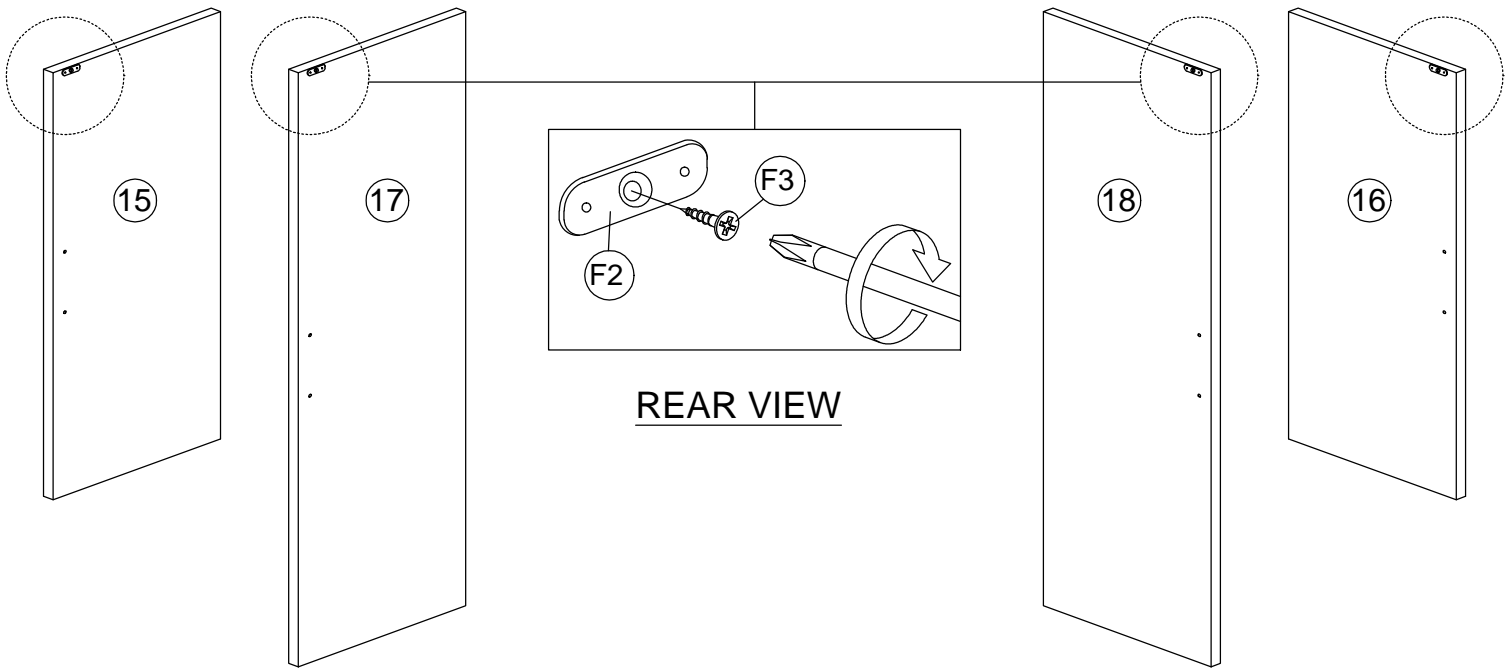
B		SHELF SUPPORT	8
---	---	---------------	---



1. Insert 24 x wood dowel (A) into panel (1,6,7,9,10,11 & 12).
2. Insert 8 x shelf support (B) into panel (2,3,4 & 5).


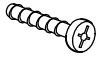
Step 2

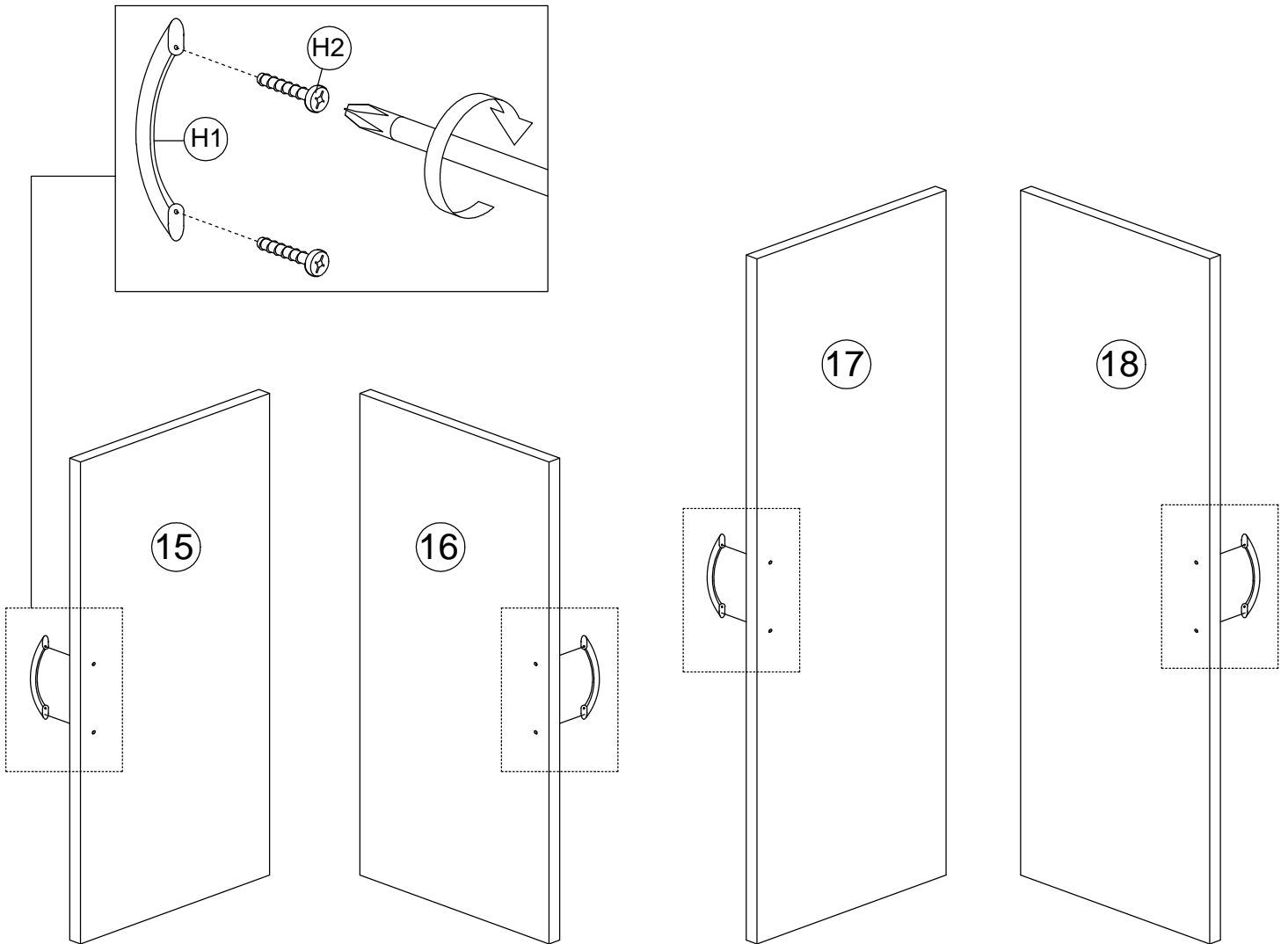
F1		3.5KG MAGNET (1 HOLE)	4
F2		METAL PIECE	4
F3		CB SCREW M3X12MM	4



1. Fix 4 x metal piece (F2) to panel (15,16,17 & 18) back with 4 x cb screws M3x12mm (F3).
2. Insert 4 x magnet (F1) into panel (1 & 12) bottom view.

Step 3

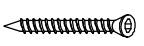

H1	 PVC HANDLE 205-96	4
H2	 P/H SCREW M4X22MM	8



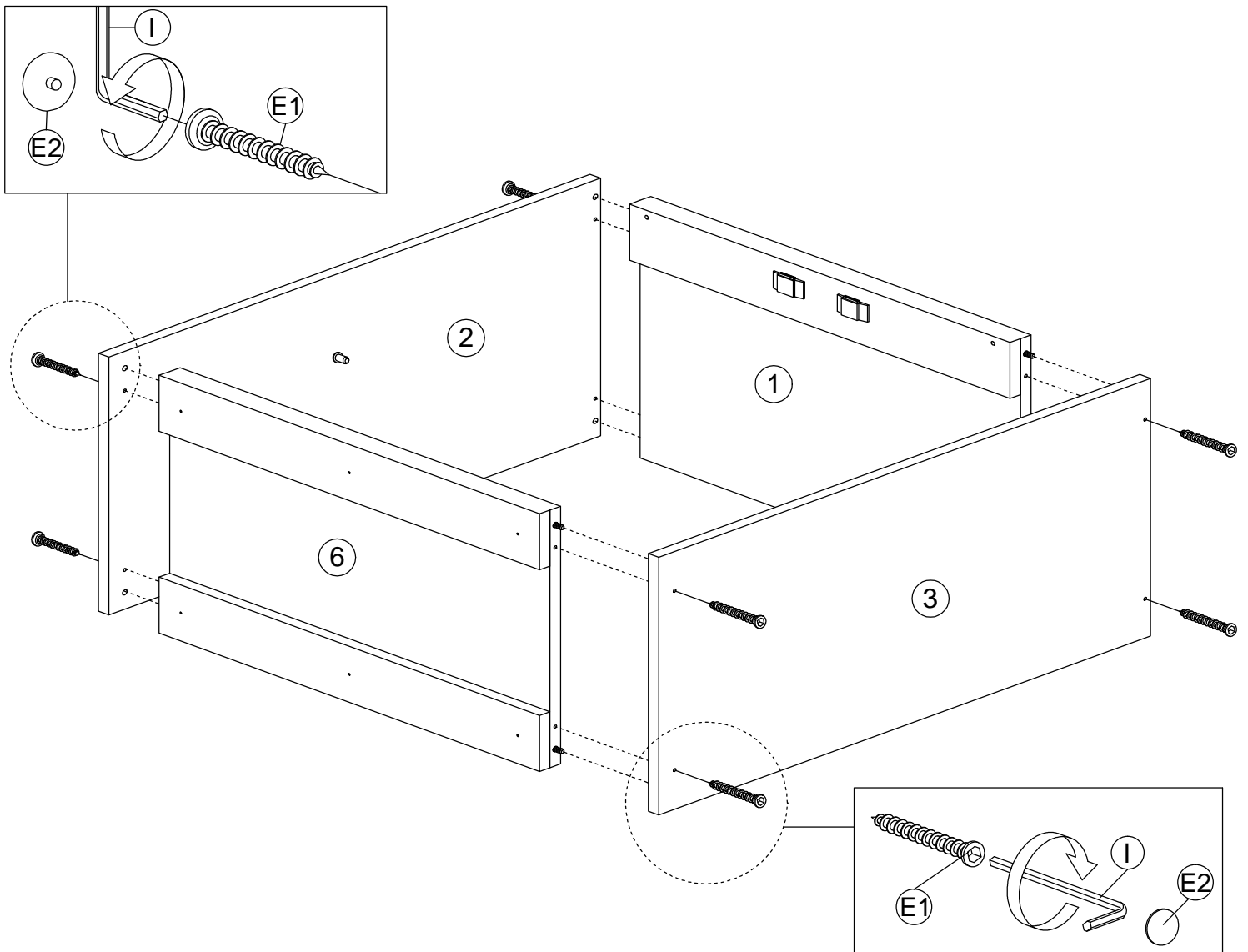
1. Fix 4 x pvc handle (H1) to panel (15,16,17 & 18) front with 8 x P/H screws M4x22mm (H2).

HODEDAH®

Step 4

E1	 CSK CAP WOOD M6X40MM	8
E2	 MINIFIX CAP	8

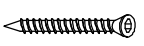
I	 ALLEN KEY	1
---	---	---



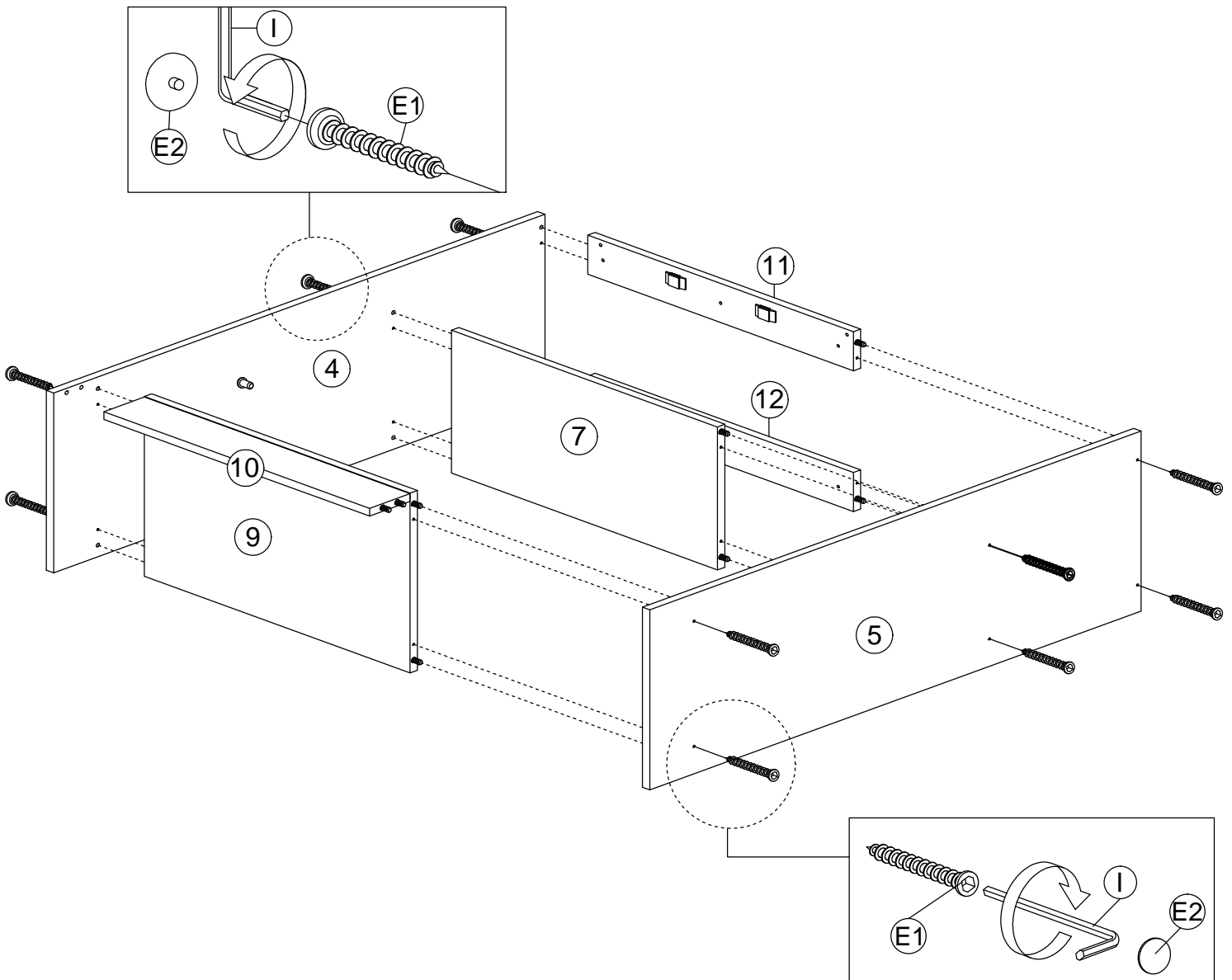
1. Connect panel (2 & 3) to panel (1 & 6) by using 8 x csk M6x40mm (E1) with allen key (I). After that, insert 8 x cap (E2).

HODEDAH®

Step 5

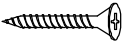
E1		CSK CAP WOOD M6X40MM	12
E2		MINIFIX CAP	12

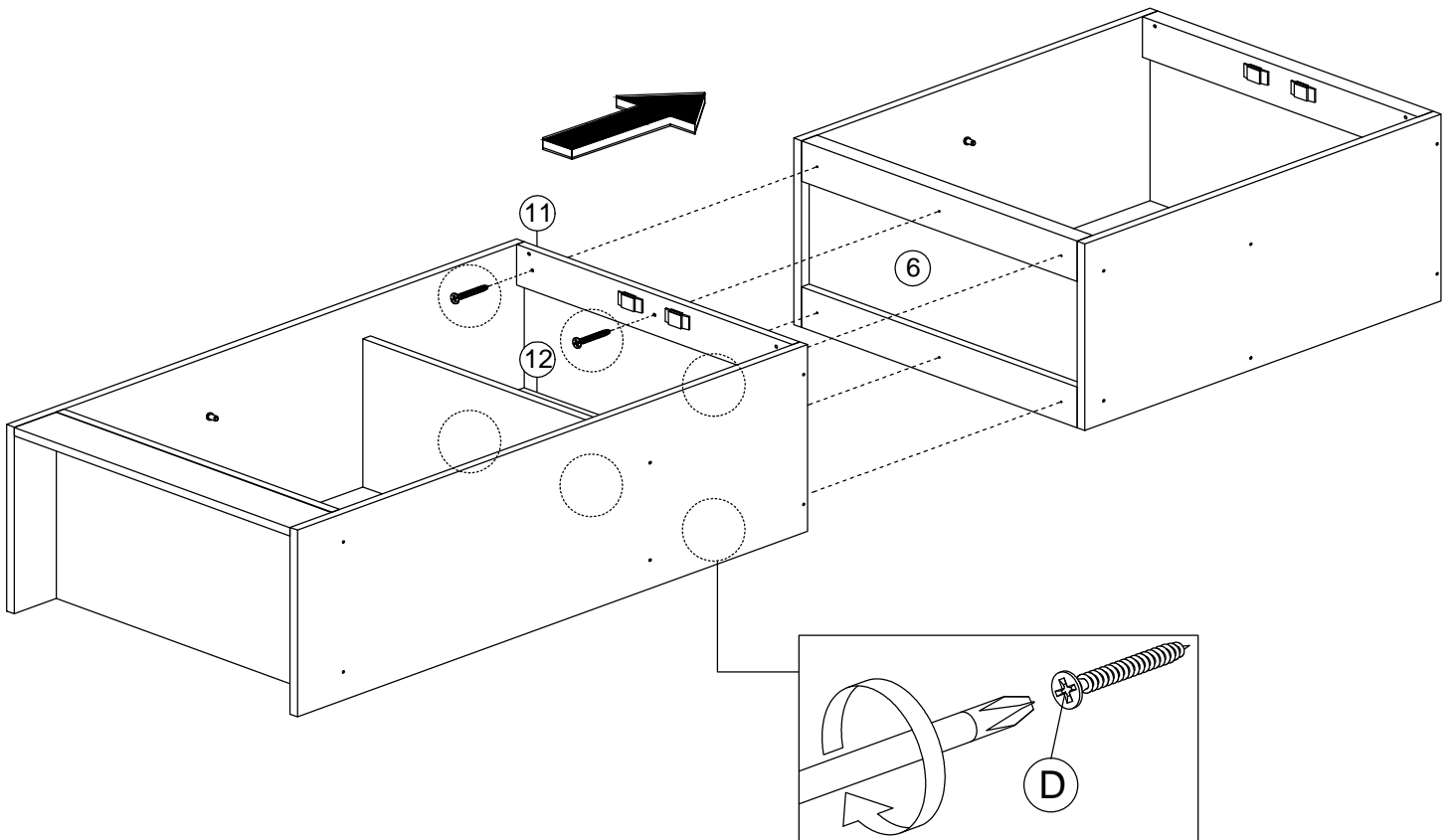
I		ALLEN KEY	1
---	---	-----------	---



1. Connect panel (4 & 5) to panel (7,9,10,11 & 12) by using 12 x csk M6x40mm (E1) with allen key (I). After that, insert 12 x cap (E2).

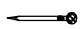
Step 6

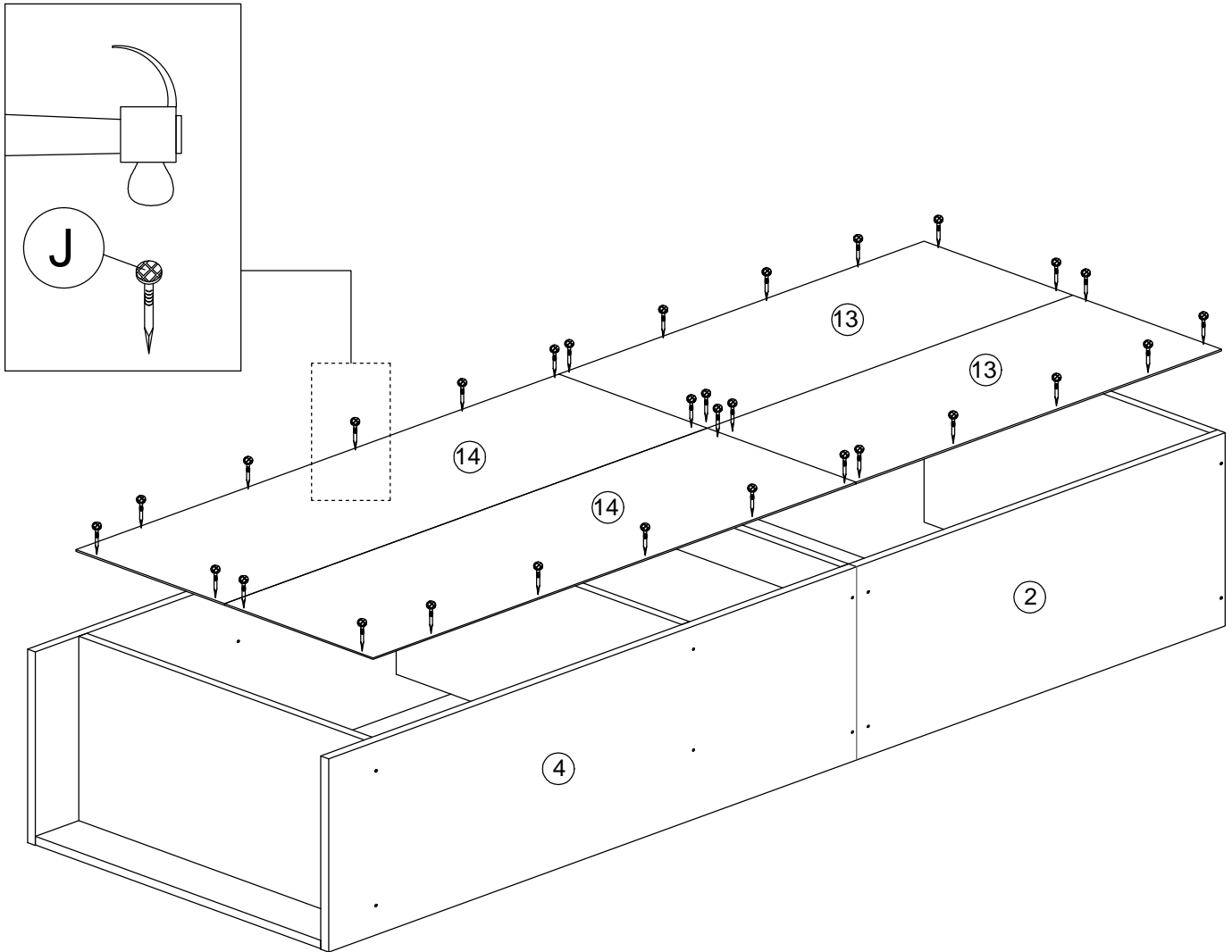
D		CB SCREW M4X38MM	6
---	---	------------------	---



1. Connect panel (11 & 12) to panel (6) by using 6 x cb screw M4x38mm (D) with screwdriver.

Step 7

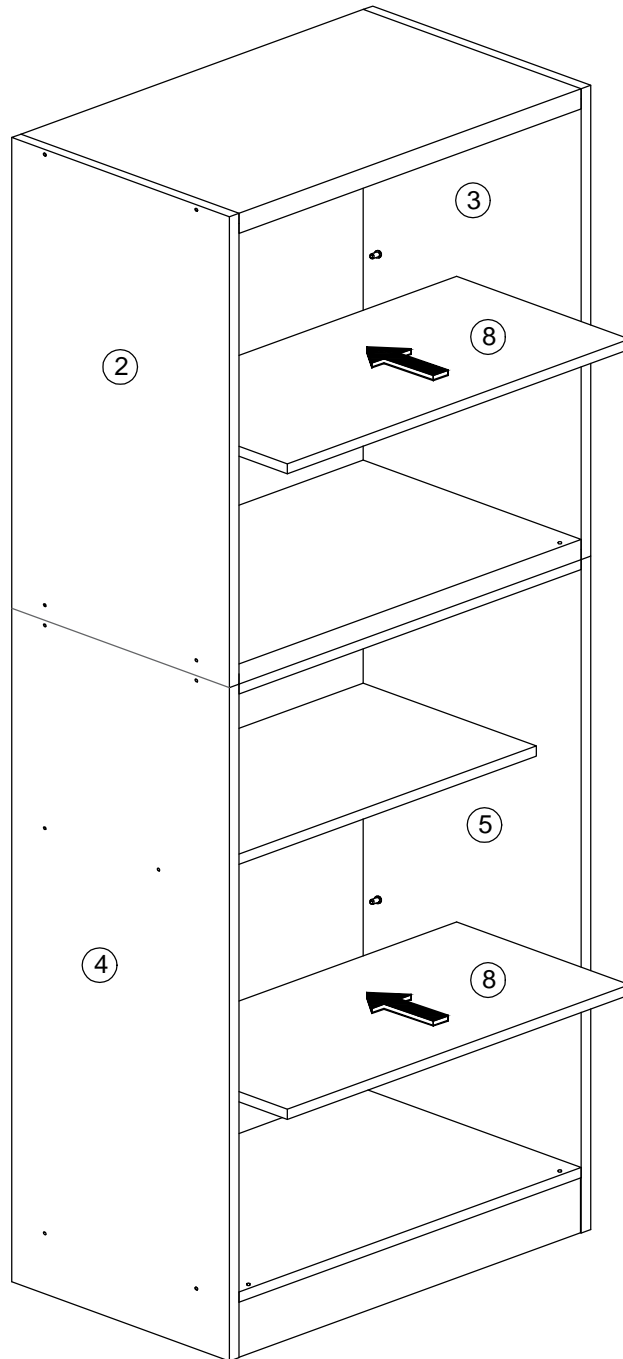
J	 NAIL 5/8	30
---	--	----



1. Attach panel 2 x (13) to panel (2 & 3) rear view. Then use 14 x nails (J) for fix it with hammer.
2. Attach panel 2 x (14) to panel (4 & 5) rear view. Then use 16 x nails (J) for fix it with hammer.

HODEDAH®

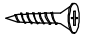
Step 8



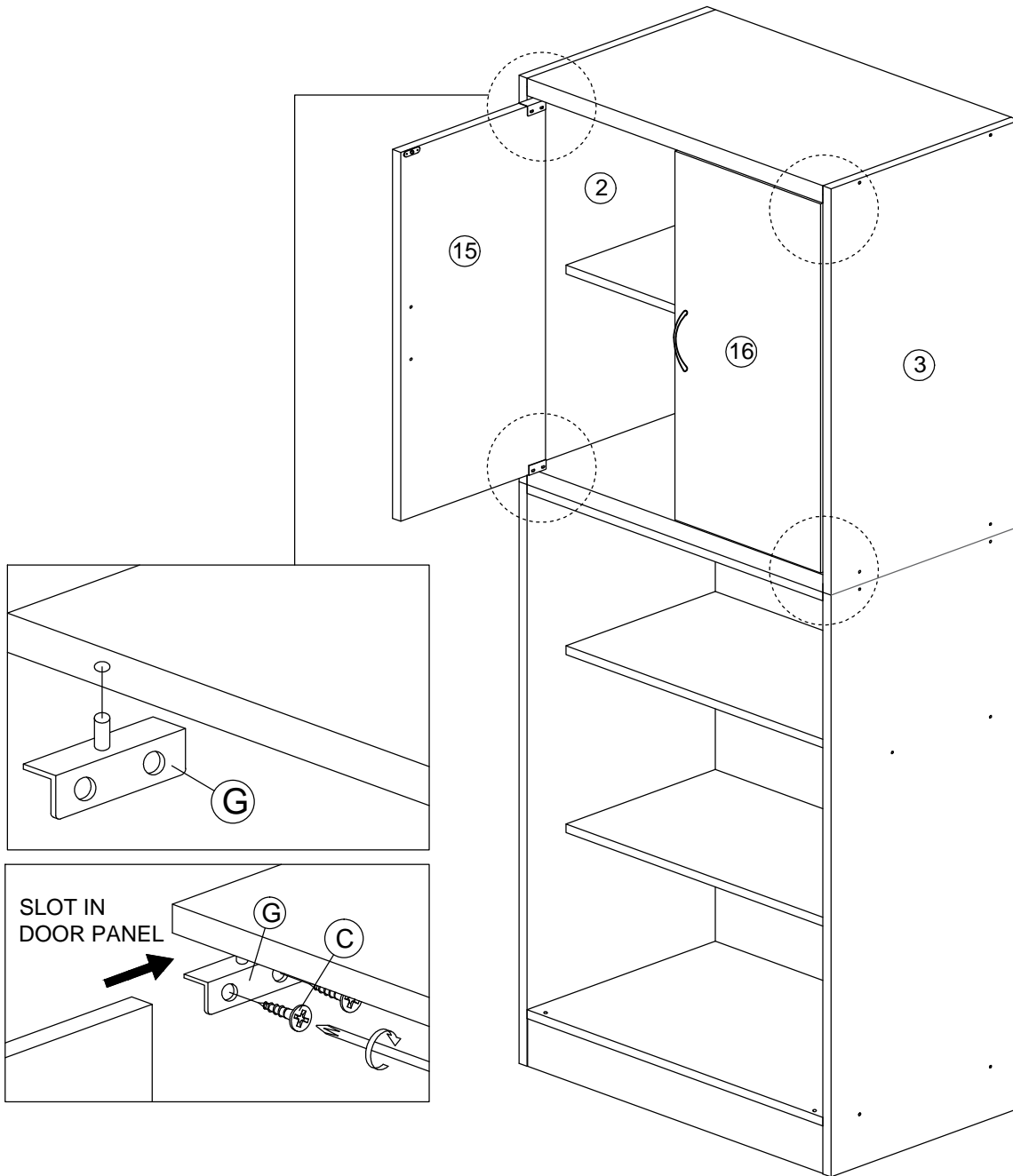
1. Slide it panel **(8)** between panel **(2 & 3)**.
2. Slide it panel **(8)** between panel **(4 & 5)**.

HODEDAH®

Step 9

C		CB SCREW M3.5X16MM	8
----------	---	--------------------	----------

G		MT STOPPER	4
----------	---	------------	----------

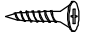


1. Insert 2 x mt stopper (**G**) into the holes at panel (**1**) bottom view.
2. Insert 2 x mt stopper (**G**) into the holes at panel (**6**) top view.
3. Slide in panel (**15 & 16**) into mt stopper (**G**) between panel (**1 & 6**). After that, use 8 x screws (**C**) to tighten it.

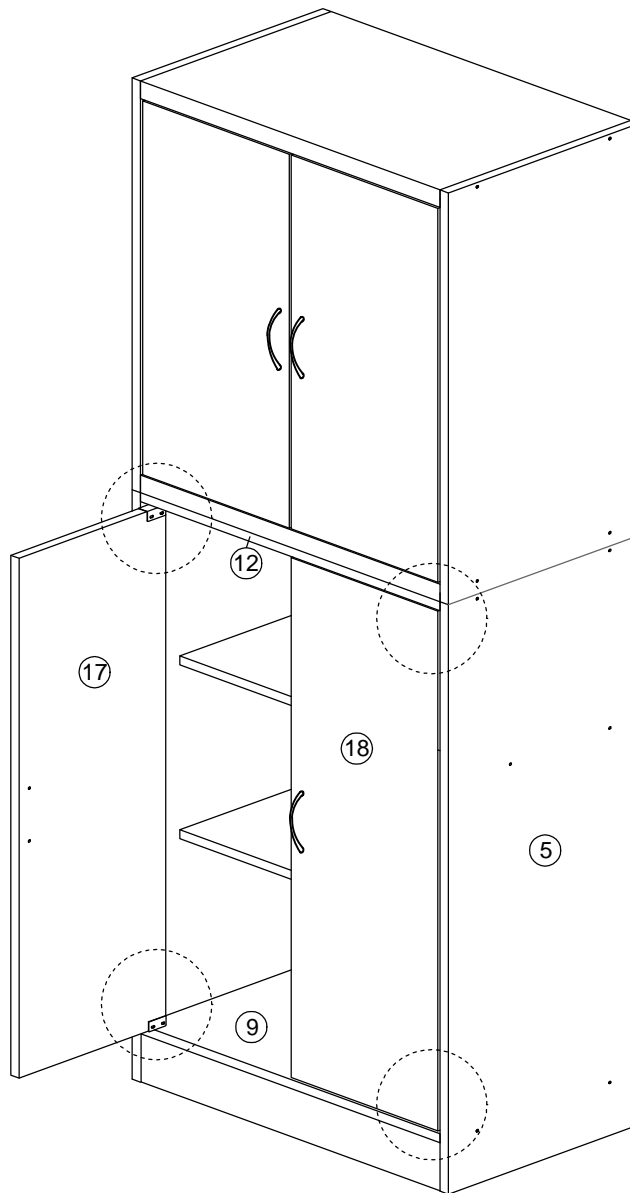
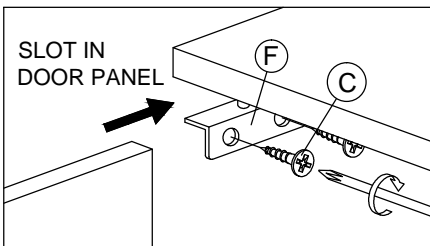
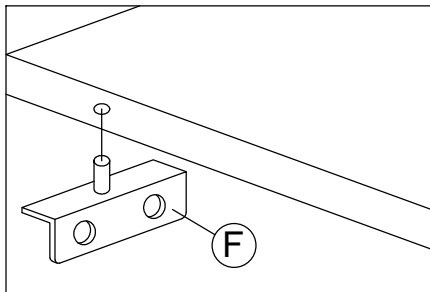
HODEDAH®

Step 10

Final step...

C		CB SCREW M3.5X16MM	8
---	---	--------------------	---

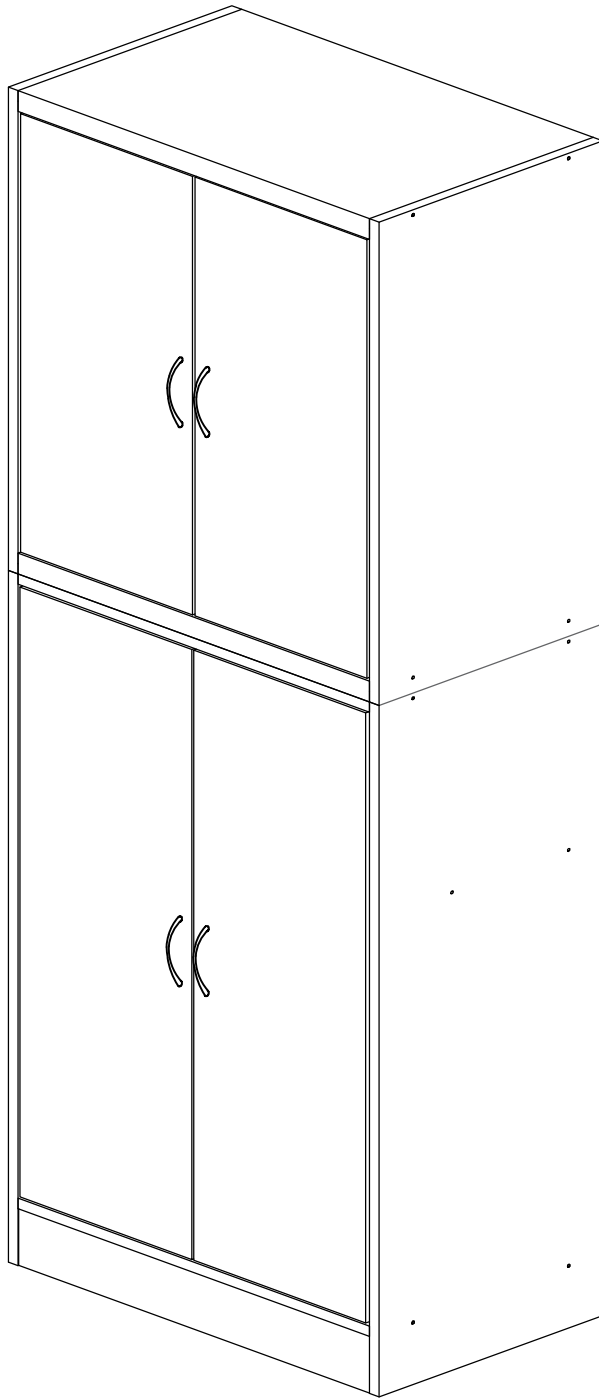
G		MT STOPPER	4
---	---	------------	---



1. Insert 2 x mt stopper (**G**) into the holes at panel (**12**) bottom view.
2. Insert 2 x mt stopper (**G**) into the holes at panel (**9**) top view.
3. Slide in panel (**17 & 18**) into mt stopper (**G**) between panel (**12 & 9**). After that, use 8 x screws (**C**) to tighten it.

HODEDAH®

Job Complete...



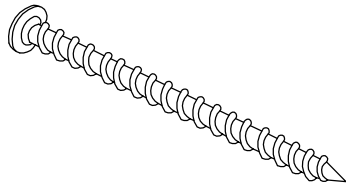
Enjoy & Thank you for purchasing from Hodedah!



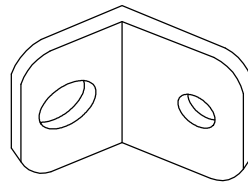
HODEDAH®

Installation of Anti-Tip Restraint

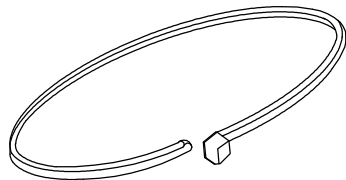
Kit includes:



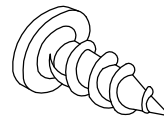
A (x2)
Long screw



B (x4)
Mounting bracket



C (x2)
Restraint strap



D (x2)
Short screw



WARNING



Serious or fatal crushing injuries can occur from furniture tip-over. To help Prevent tip-over:

- Install tip-over restraint provided
- Place heaviest items in the lower drawers
- Do not set TV's or other heavy objects on top of this product
- Never allow children to climb or hang on drawers, doors or shelves
- Never open more than one drawer at a time
- Do not defeat or remove the drawer interlock system

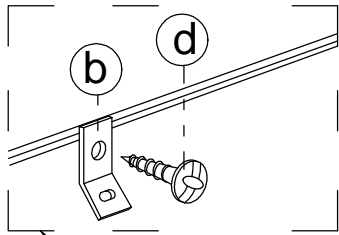
Use tip-over restraints may only reduce but not eliminate the risk of tip-over.

IMPORTANT: Use of this safety kit is mandatory. This restraint is not a substitute for proper adult supervision. Failure to detach this restraint before moving furniture may result in injury and damage. **If the safety kit is not in the box, please contact our consumer service team at Tel. 1 (718) 456 0505 or Email Support@Hodedah.com in order to obtain one before using the furniture.**

FITTING OF ANTI-TIP SAFETY STRAP

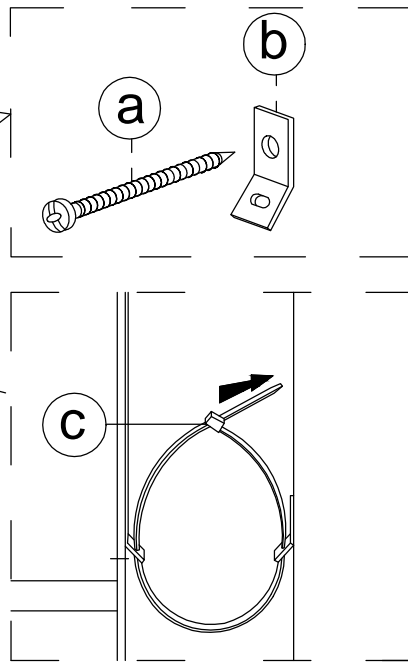
STEP 1:

- Attach the mounting bracket (b) to the furniture in the solid part below the top panel a few inches away from the side of the unit.
- Screw (d) through the smallest hole of (b).



STEP 2:

- Locate a stud in behind the have to
- Place the other mounting bracket (b) on the wall stud 2 inches below the mounting bracket secured to the back of your unit.
- Attach to the wall stud using (c) through the smaller hole of (b).



STEP 3:

- Repeat the same step a few inches away from the other side of the unit.
- Place the furniture into position so both mounting brackets are vertically in line.
- Lace the end of the restraint strap through the larger holes in each mounting bracket.
- Secure the straps and lock into place.

