


HODEDAH®


Assembly Instructions


This instruction booklet contains important safety information, please read and keep for future reference

ITEM # HI 202 FULL BED

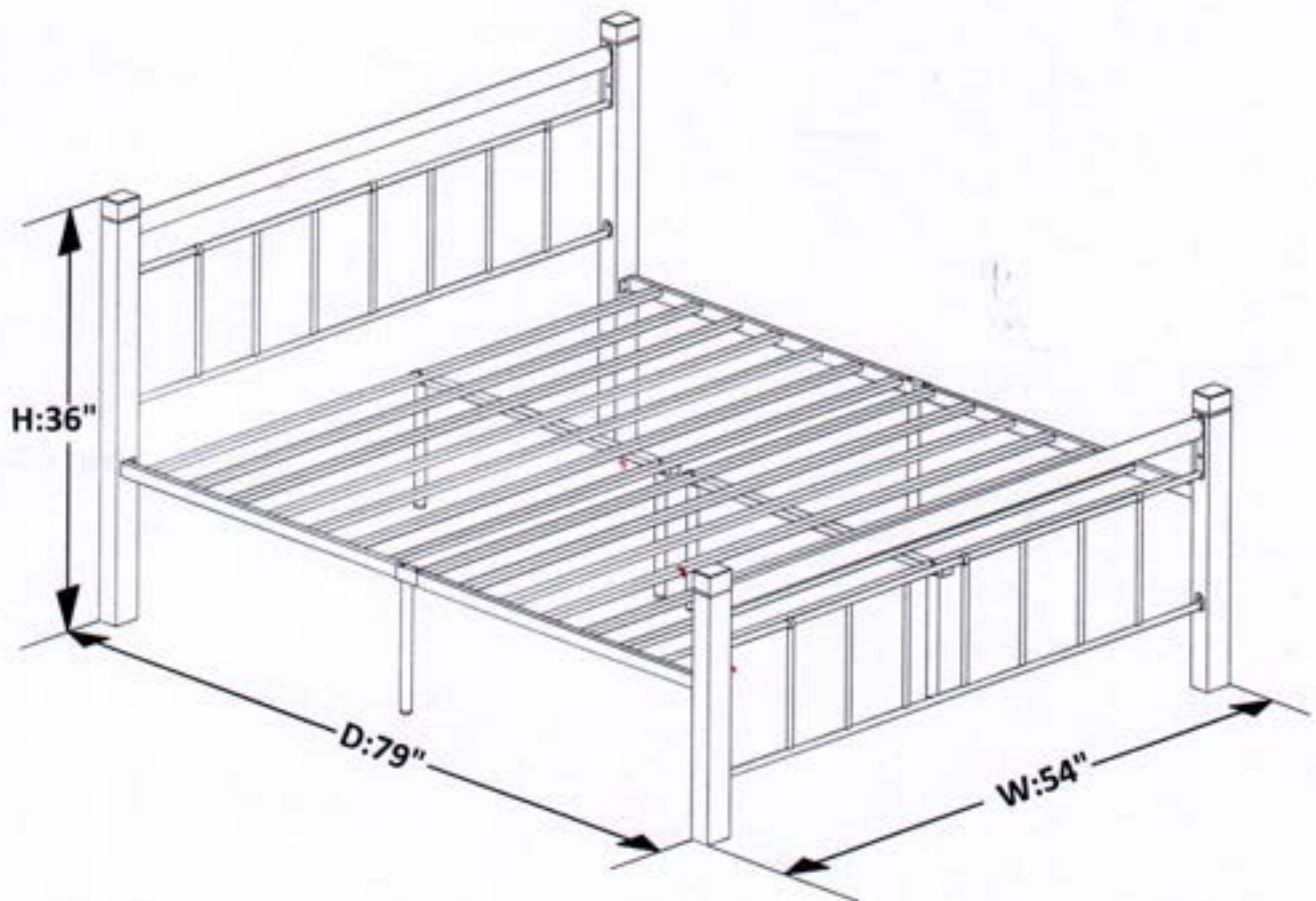
METAL BED

 2 person

 20 mins

 1 YR LTD

 1 Box



Product Dimension : Height 36" x Width 54" x Depth 79"

HODEDAH®



Phone



Email



Website

Mon - Fri | 9.30 am to 5pm EST

Send us an email

Visit our website to open a case

1 - 855 - HODEDAH

Support@Hodedah.com

www.Hodedah.com

1 - 855 - 463-3324

Questions, need parts, we are here to help!

FOR PROMPT, RELIABLE SERVICE PLEASE HAVE YOUR INSTRUCTION MANUAL READY



DO NOT RETURN PRODUCT TO THE STORE

If parts are missing or damaged please contact our customer service team and we will gladly ship your replacement parts FREE of charge within **ONE YEAR** of purchase!

WARRANTY

Hodedah warrants this product to be free from defects in materials and workmanship and agrees to remedy any such defect. This warranty covers one year from the date of original purchase. This is solely limited to replacement of defective parts and no assembly for labor is included. This warranty does not apply to any product that has been improperly assembled, subjected to misuse, abuse or which has been altered or repaired in any way. To obtain warranty service, original purchaser must present the following: original bill of sale, date of purchase, where the product was purchased and images if applicable. Components replaced warranted throughout the remainder of the original warranty only. The defective part will be replaced without charge, subject to the terms and conditions described above.

WARNING

- This product contains small parts, keep away from children.
- This product contains plastic bags, keep away from children.
- Never allow children to climb or jump from the top bed.

HODEDAH®

Let's get started...

Helpful hints, read before beginning assembly

- Make sure you receive all boxes. If your item is packed in one box, box count will read 1 of 1, likewise if your item is packed in two boxes, box count will read 1 of 2 and second box will read 2 of 2.
- Read each step carefully. It is very important that each step is performed in the correct order. If these steps are not followed in sequence, assembly difficulties will occur.
- Work in a spacious level area, preferably carpet, near the place the unit will be used.
- **DO NOT USE** power tools to assemble your furniture, it will strip and damage parts.
- Your package should include the following hardware and parts. Parts are labeled or stamped on the raw edge. Please inspect contents to ensure you have received all components. **If you are missing any hardware or parts please contact customer service right away before assembly.**













Product Care and Maintenance

- Wipe clean with dry soft cloth, never use chemicals or cleaning products they will damage the finish.
- Avoid placing your furniture in direct sunlight, as sunlight causes fading.
- Never push, drag or pull your furniture, to move to a new location carefully with two or more people carry the unit to its new location.
- Avoid extreme changes in temperature by arranging furniture away from radiators, heat and air vents and air conditioning units.

HODEDAH®

Parts & Hardware List

You can use letters or numbers here.

A 	QTY <input type="checkbox"/>	B 	QTY <input type="checkbox"/>	C 	QTY <input type="checkbox"/>
D 	<input type="checkbox"/>	E 	<input type="checkbox"/>	F 	<input type="checkbox"/>
G 	<input type="checkbox"/>	H 	<input type="checkbox"/>	I 	<input type="checkbox"/>
J 	<input type="checkbox"/>	K 	<input type="checkbox"/>	L 	<input type="checkbox"/>

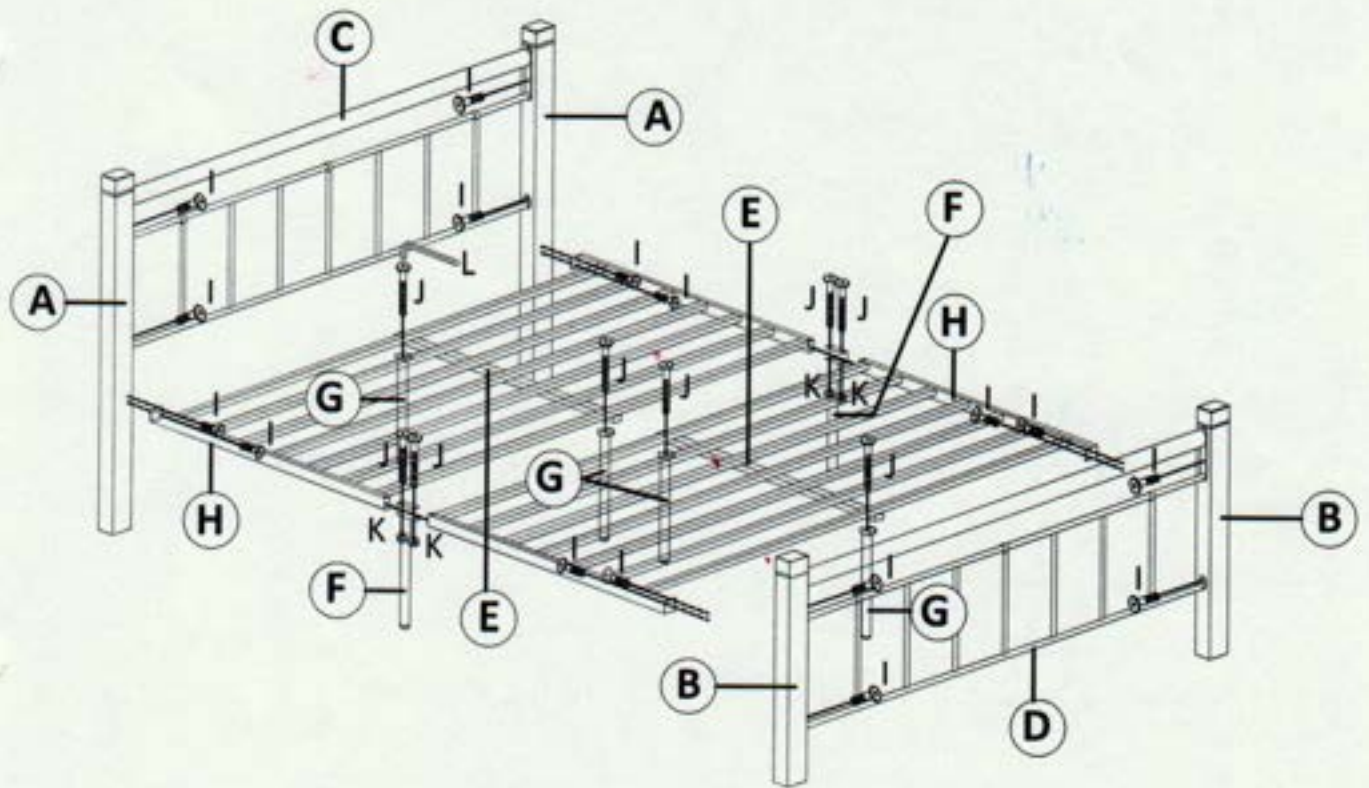


Important

1. Before you throw the package , please use the Check Box to identify the parts and hardware to ensure that you have everything you need.
2. Check and measure the bolts before applying them to parts.
3. Do not completely tighten all hardware until the entire assembly is complete, unless indicate otherwise.

HODEDAH®

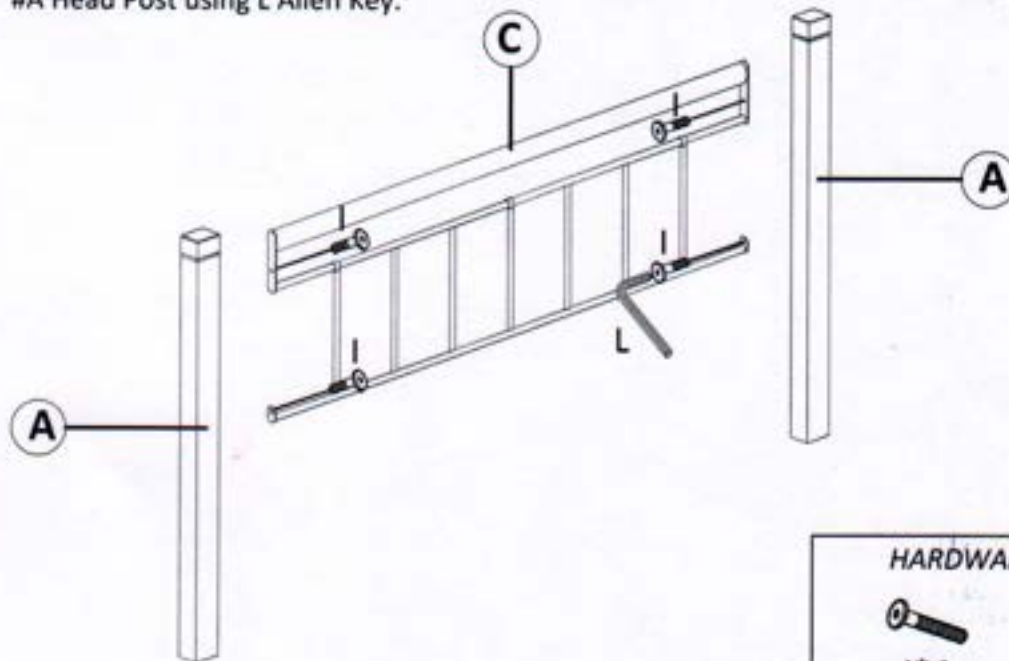
The Breakdown...



HODEDAH®

Step 1

- Connect #C HB to #A Head Post using letter I screws from inner Headboard to connect #A Head Post using L Allen Key.



HARDWARE REQUIRED



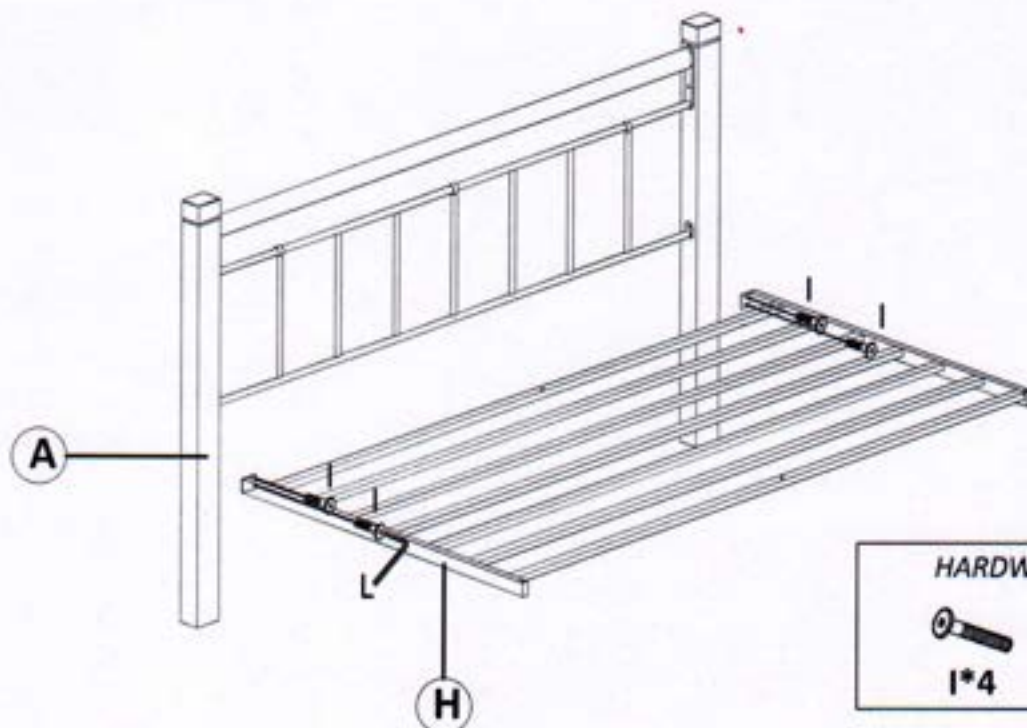
I*4



L*1

Step 2

- Take #H Bed Sheet and align it to #A Head Post using I screws and L Allen Key.



HARDWARE REQUIRED



I*4

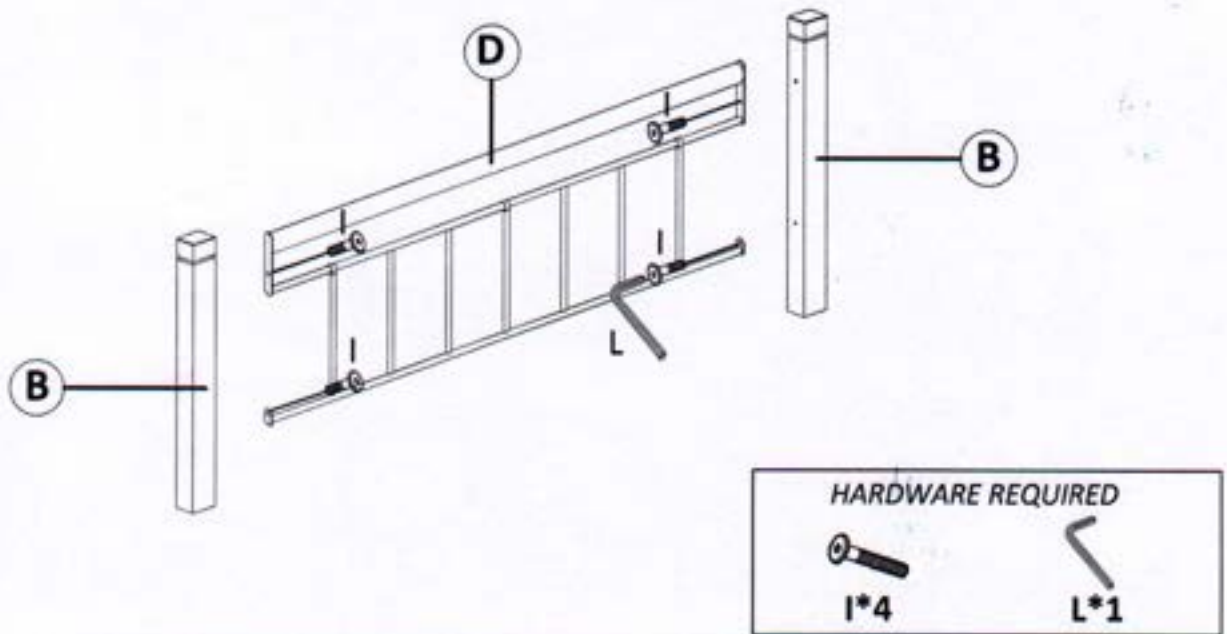


L*1

HODEDAH®

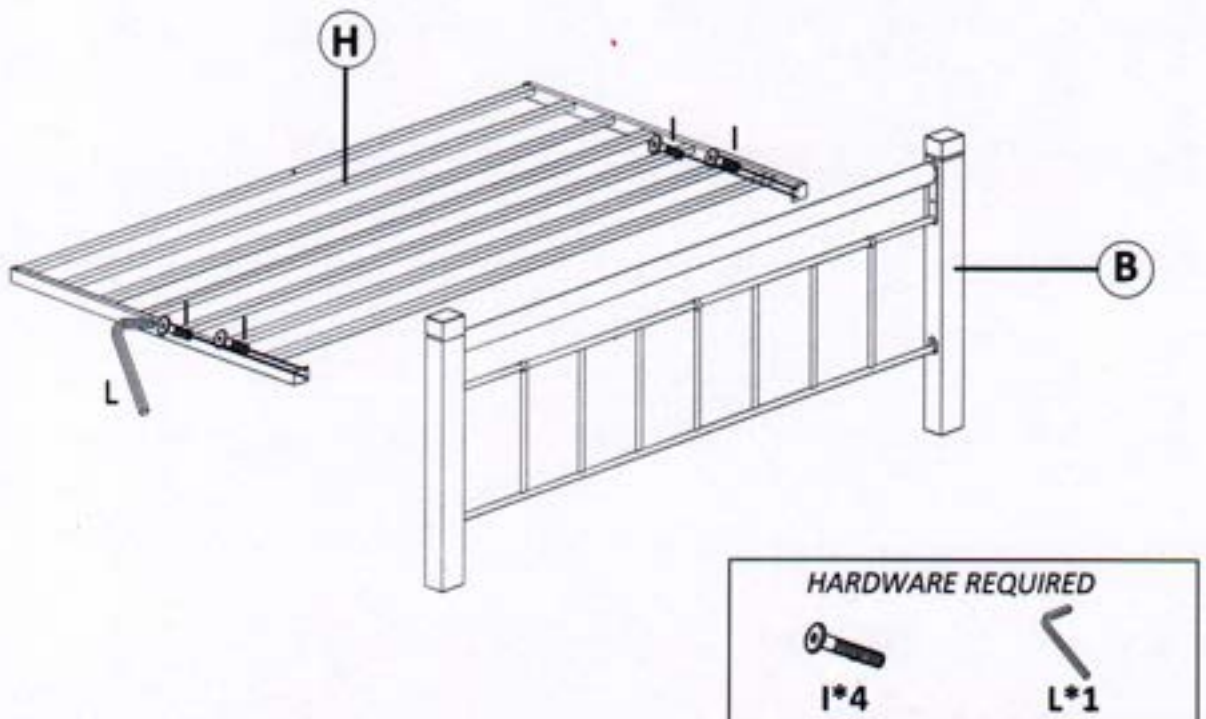
Step 3

- Connect #D FB to #B Foot Post using letter I screws from inner Footboard to connect #B Foot Post using L Allen Key.



Step 4

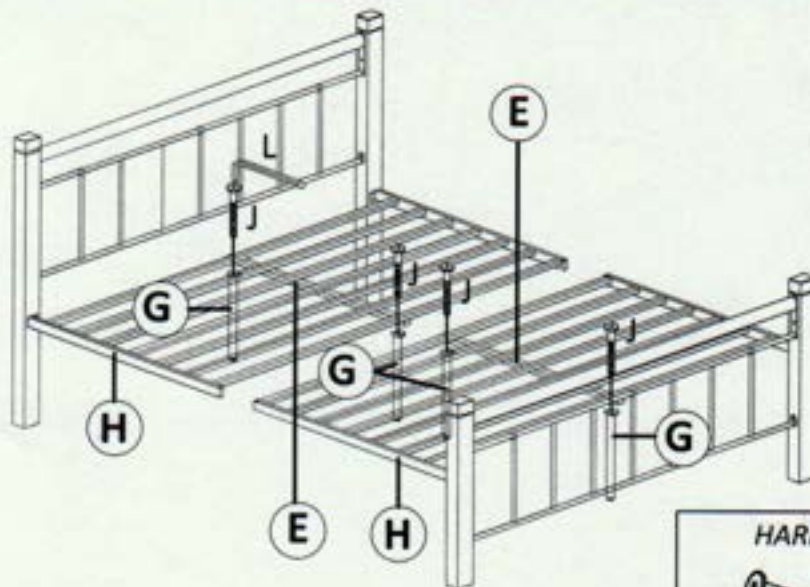
- Take #H Bed Sheet and align it to #B Foot Post using I screws and L Allen Key.



HODEDAH®

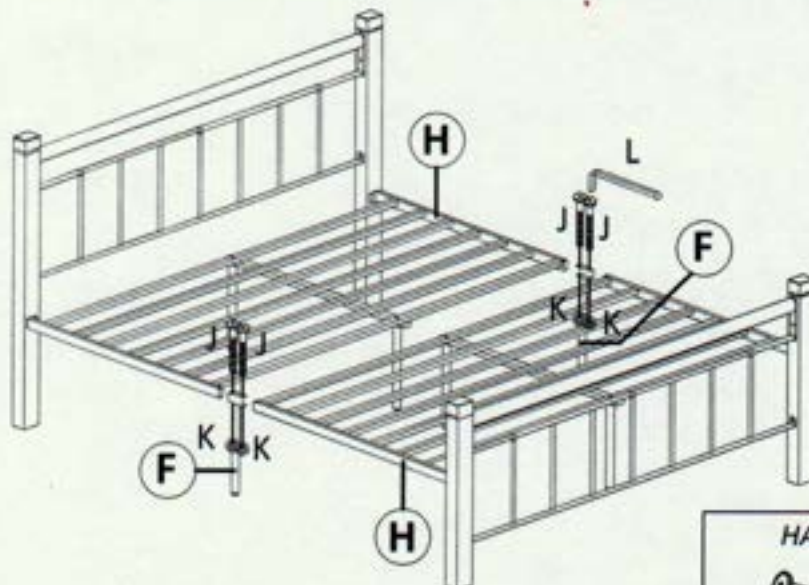
Step 5

- Take the #E Center Rail insert under the #H Bed Sheet.
- Then using the qty of 4 Center Support legs #G using J screws & L Allen Key.



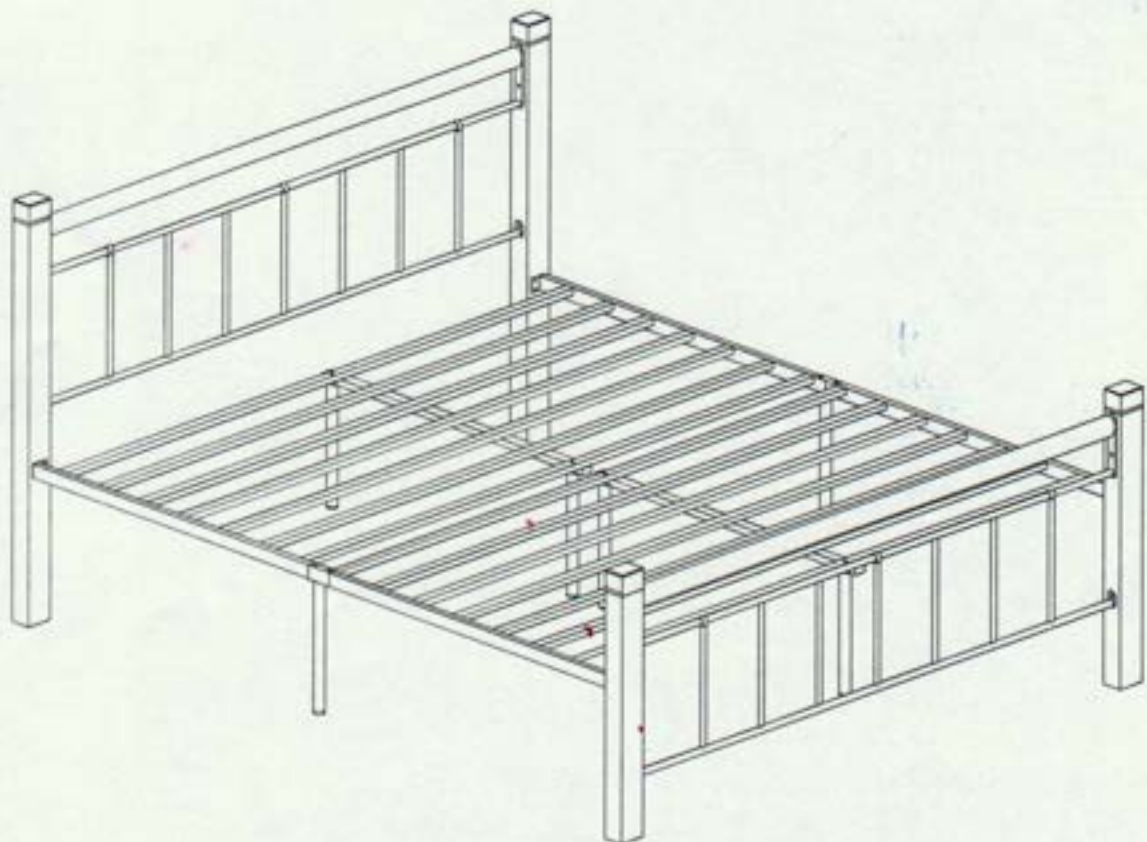
Step 6

- Take the #F Side Support Legs.
- Place it on the side of #H Bed Sheet.
- Insert J screws from top of #H Bed Sheet using L Allen Key and inrock K nuts on the bottom.



HODEDAH®

Job Complete...



Enjoy & Thank you for purchasing from Hodedah!

